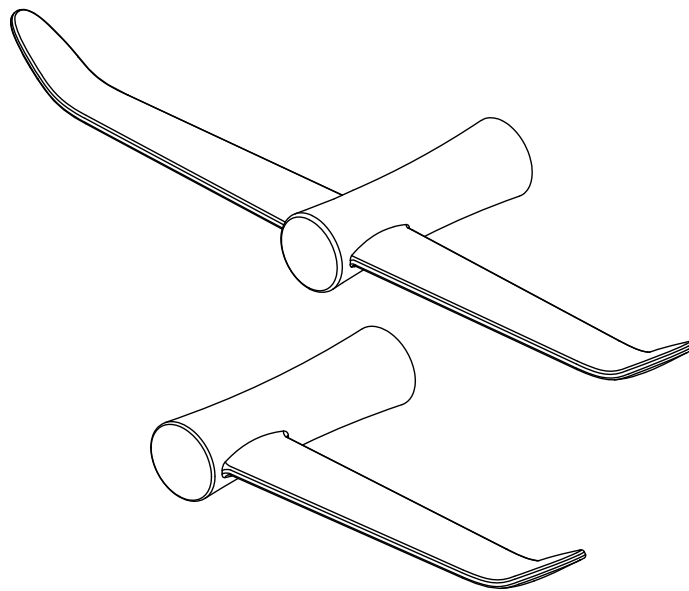


C O O P E R



G R A H A M

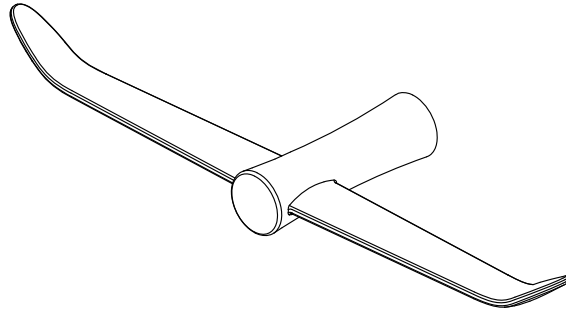
## INSTALLATION INSTRUCTIONS



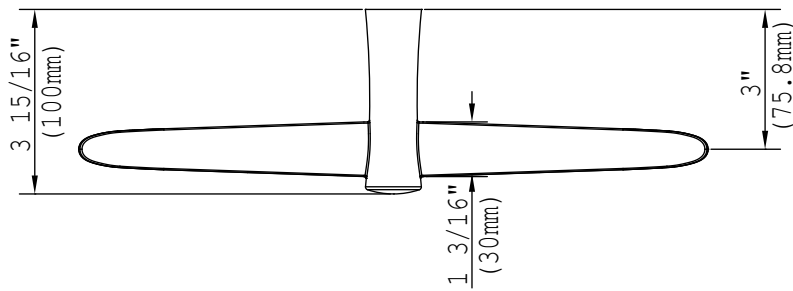
EMILE DOUBLE PAPER HOLDER EMI-13450  
EMILE SINGLE PAPER HOLDER EMI-13400

# DIMENSIONS In Inches & Millimetres

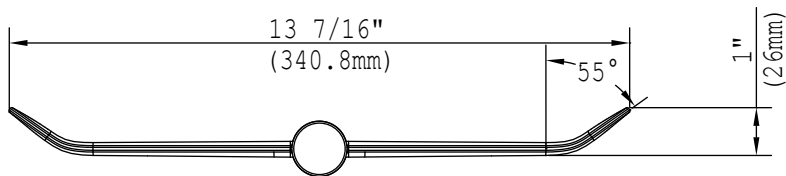
## EMILE DOUBLE PAPER HOLDER



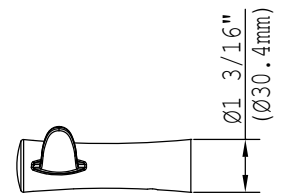
TOP VIEW



FRONT VIEW

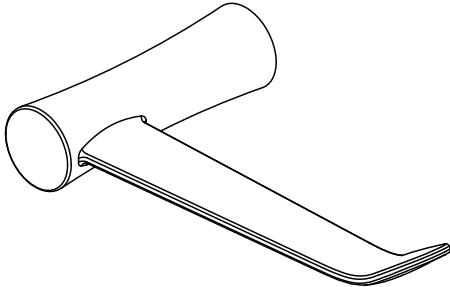


SIDE VIEW

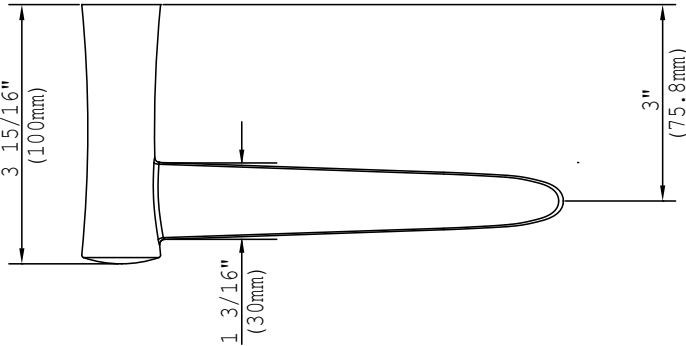


# DIMENSIONS In Inches & Millimetres

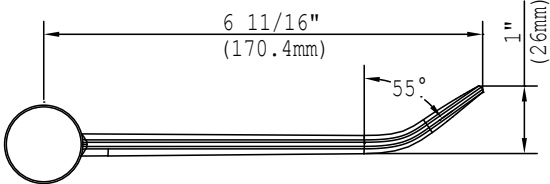
## EMILE SINGLE PAPER HOLDER



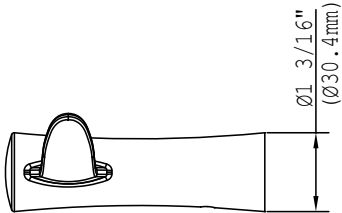
TOP VIEW



FRONT VIEW

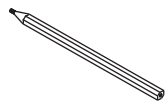


SIDE VIEW

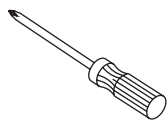


# PRODUCT INFORMATION

## TOOLS



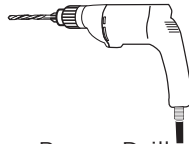
Marking Pencil



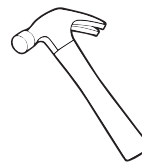
Phillips  
Screwdriver



Allen Key



Power Drill



Hammer

---

## MAINTENANCE

- Your new Cooper and Graham product is designed for years of trouble-free performance.
- Keep it looking new by cleaning it periodically with a soft cloth. Avoid abrasive cleaners, wire wool and harsh chemicals as these will dull the finish and void your warranty.

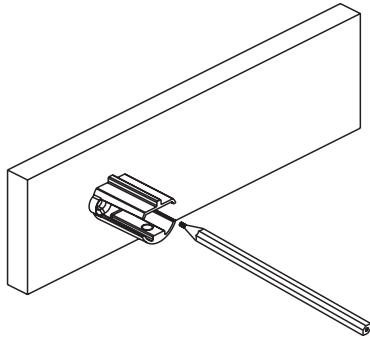
---

## IMPORTANT POINTS

- Overtightening nuts may cause damages.
- When cutting or soldering, use safety glasses to protect your eyes.

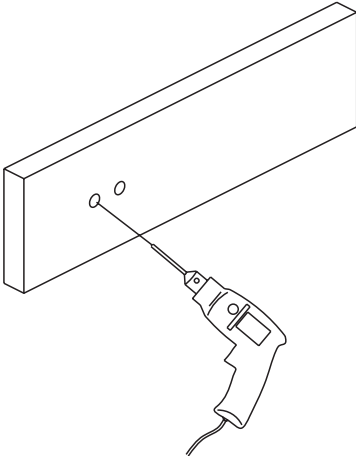
Cooper and Graham always recommends that plumbing products be installed by a licensed professional.

1.



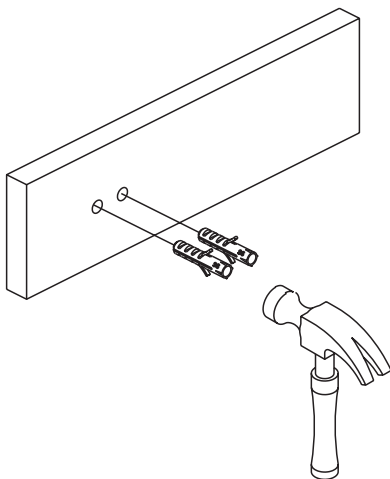
Position the mounting bracket on the wall where required. Please note the direction of the mounting bracket should be as shown. Mark the location of mounting screws.

2.



Drill holes into the wall of the marked location.

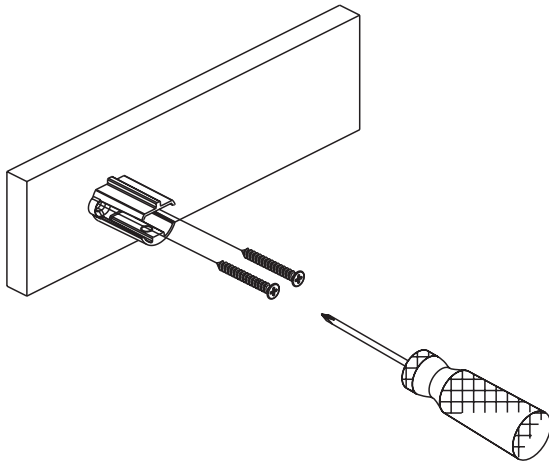
3.



Tap the plastic anchor into the hole with a hammer.

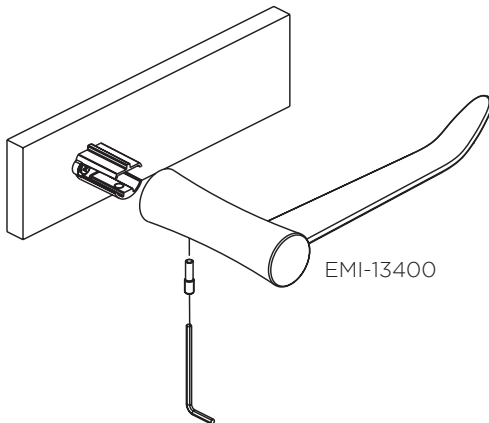
Cooper and Graham always recommends that plumbing products be installed by a licensed professional.

4.

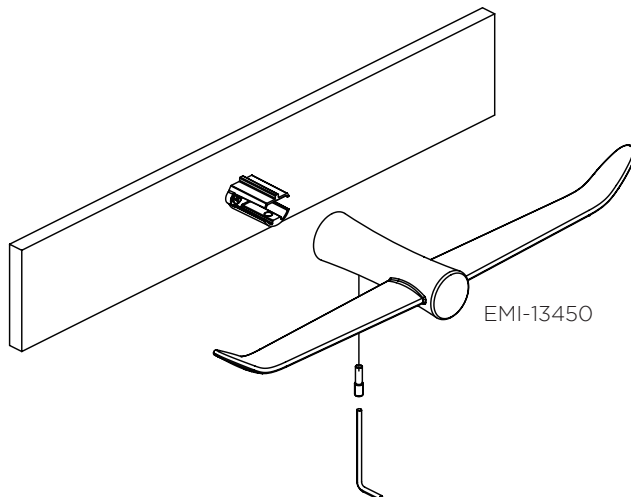


Position the mounting bracket to be mounted on the wall, then thread the fixing screws through the mounting hole into the plastic anchor. Turn the screws slowly until they are tight.

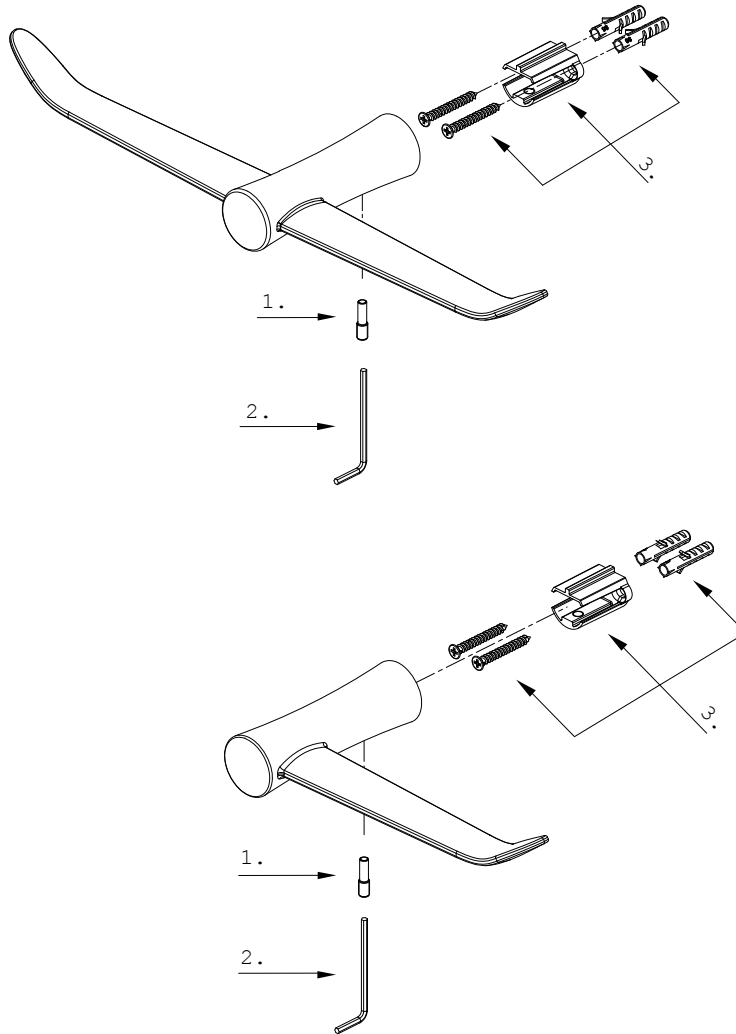
5.



Place assembly over the mounting bracket with set screws facing down. Tighten the set screws.



EMI-13450  
EMI-13400



1. Screw (M5\*19mm L) (RB0123)
2. Allen Key (A031000)
3. Mounting Hardware (RB0125)

C O O P E R



G R A H A M

FOR ADDITIONAL ASSISTANCE OR SERVICE CALL

**T: 929.432.1699 F: 929.432.1833**

[CUSTOMERSERVICE@COOPERANDGRAHAM.COM](mailto:CUSTOMERSERVICE@COOPERANDGRAHAM.COM)

9AM-5PM EST, MONDAY - FRIDAY

**COOPER AND GRAHAM**

1828 TROUTMAN STREET, RIDGEWOOD, NY, 11385

[WWW.COOPERANDGRAHAM.COM](http://WWW.COOPERANDGRAHAM.COM)