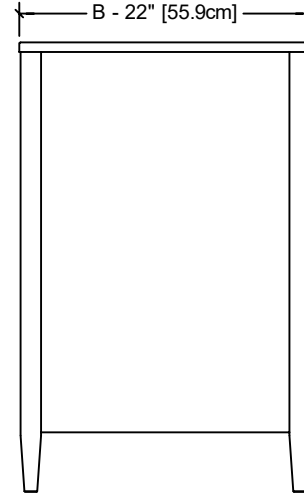
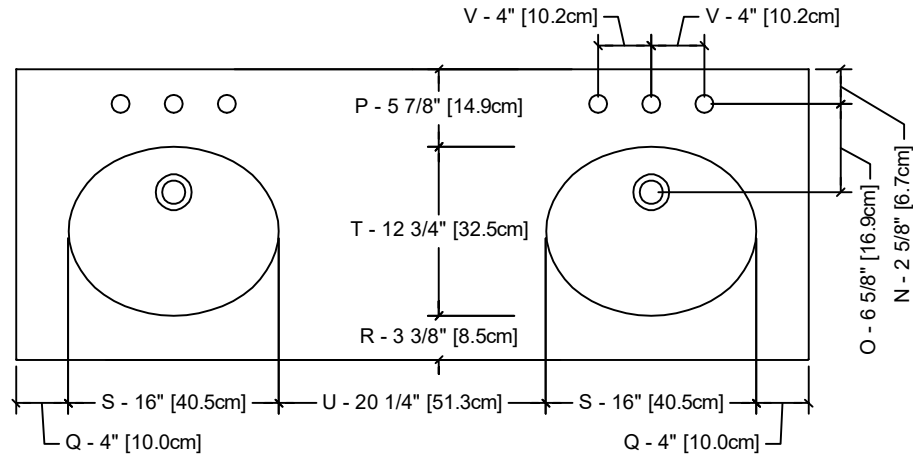


ROUND LEG ALSUP VANITY 60"W



- A: Overall Width = 60" / 152.4cm.
- B: Overall Depth = 22" / 55.9cm.
- C: Counter Height = 34" / 86.5cm.
- D: Cabinet Width = 59 7/8" / 152.1cm.
- E: Plumbing Cut-out Height = 12" / 30.5cm.
- F: Plumbing Cut-out Width = 12" / 30.5cm.
- G: Edge of Cabinet to Edge of Cut-out = 5 7/8" / 14.8cm.
- H: Floor to Bottom of Cut-out = 13 1/2" / 34.4cm.
- I: Drawer Height = 7 7/8" / 20.0cm.
- J: Drawer Width = 14" / 35.5cm.
- K: Door Height = 25 1/2" / 64.7cm.
- L: Door Width = 10 1/8" / 25.8cm.
- M: Toe Kick Height = 4 1/2" / 11.5cm.
- N: Rear Edge of Counter to Center of Faucet Hole = 2 5/8" / 6.7cm.
- O: Centerline of Faucet Hole to Drain Hole = 6 5/8" / 16.9cm.
- P: Rear Edge of Counter to Rear Edge of Sink = 5 7/8" / 14.9cm.
- Q: Edge of Counter to Edge of Sink = 4" / 10.0cm.
- R: Front Edge of Counter to Front Edge of Sink = 3 3/8" / 8.5cm.
- S: Sink Width = 16" / 40.5cm.
- T: Sink Depth Front/Back = 12 3/4" / 32.5cm.
- U: Distance Between Sinks = 20 1/4" / 51.3cm.
- V: Distance Between Faucet Holes = 4" / 10.2cm.

