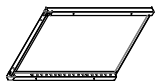
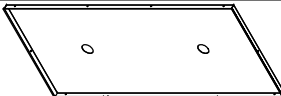

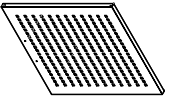
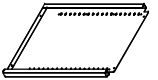


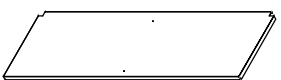


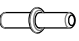




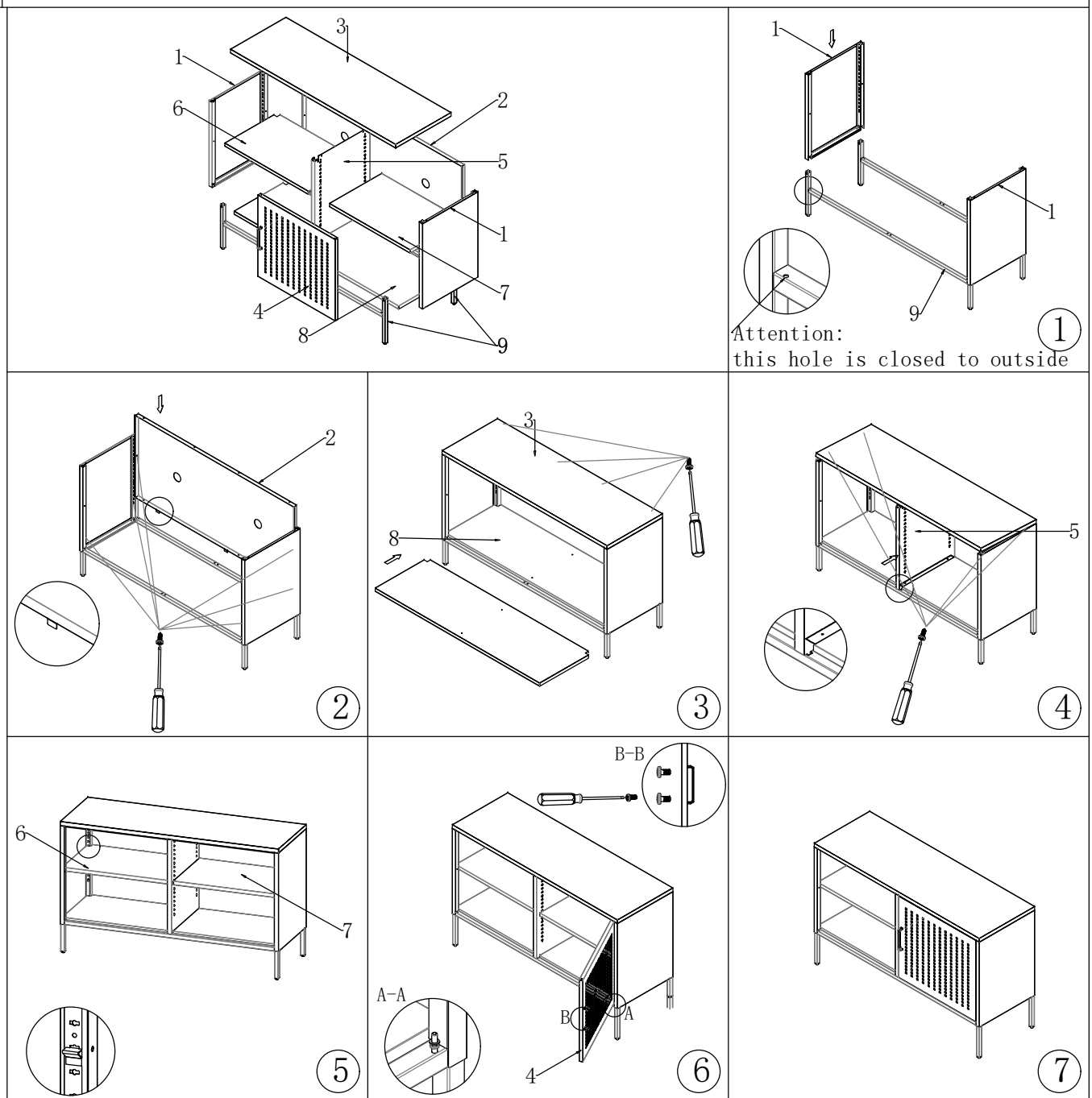


# The List of all parts

# Assembly Instructions

SN.	Q' ty	Name	graphic
01	2	Side panel	
02	1	back panel	
03	1	top panel	
04	1	door panel	
05	1	Middle vertical plate	
06	1	Left grid board	
07	1	Right grid board	
08	1	floor	
09	2	standing feet	
10	8	shelf buckle	
11	1	hinge	
12	20	5*10	
13	3	spacer	
14	1	handle	
15	2	M4*22	



The assembly instructions are divided into seven numbered steps:

- Step 1:** Shows the side panels (1) being attached to the main frame (9). A callout shows a hole being closed to the outside.
- Step 2:** Shows the middle vertical plate (2) being inserted into the frame.
- Step 3:** Shows the floor (8) being attached to the bottom of the frame.
- Step 4:** Shows the left and right grid boards (6, 7) being attached to the frame.
- Step 5:** Shows the shelf buckles (10) being attached to the shelves.
- Step 6:** Shows the door panel (4) being attached to the front of the unit. A callout shows the handle (14) being attached to the door panel.
- Step 7:** Shows the final assembled unit.