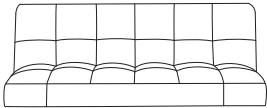

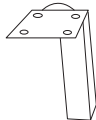
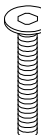
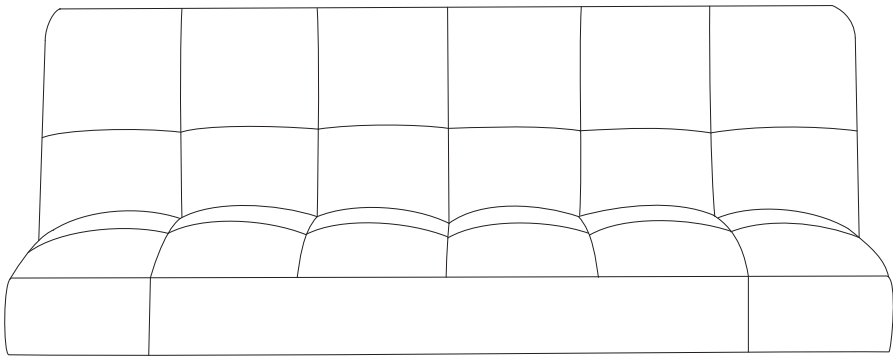


A	B	C	D
			 M7 x 65
x 1	x 2	x 2	x 2

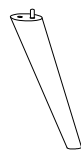
A

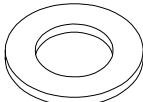
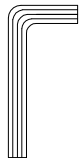
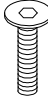


C x 2

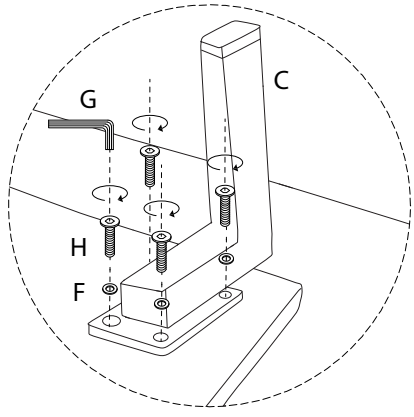
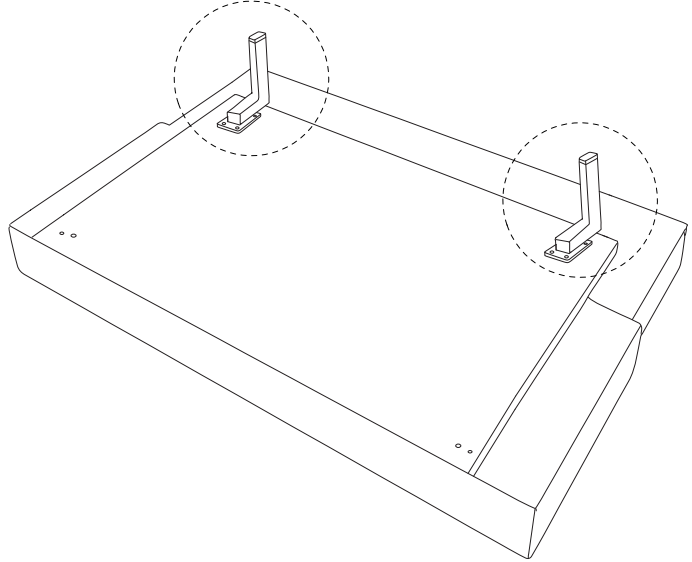
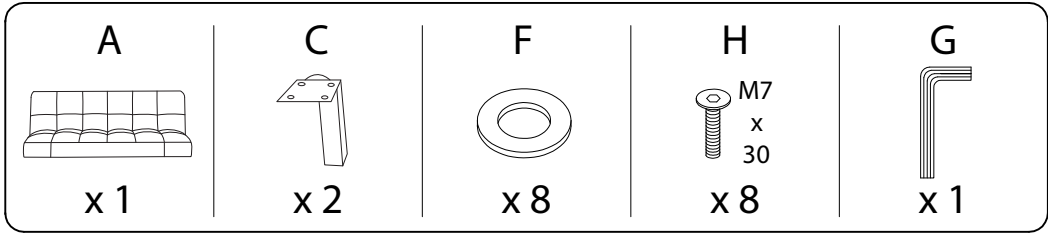


B x 2

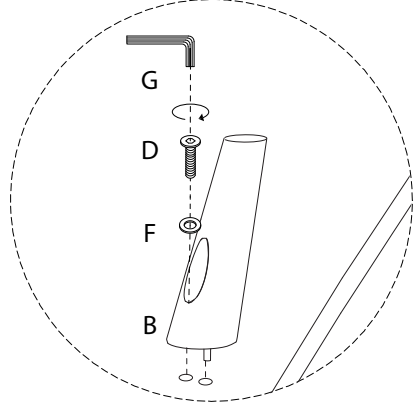
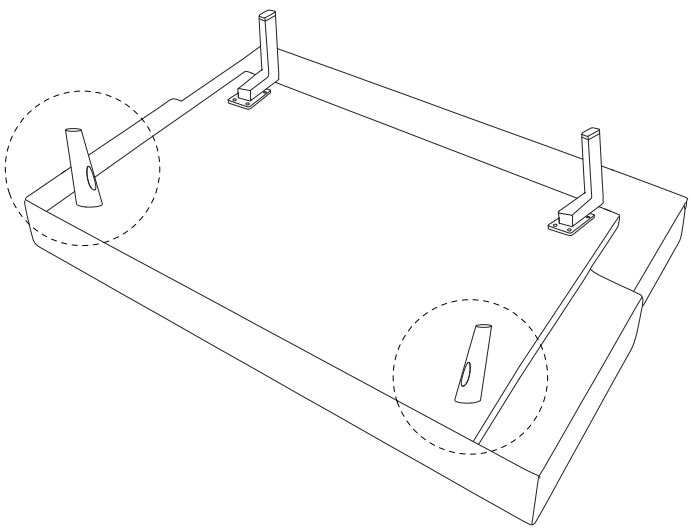
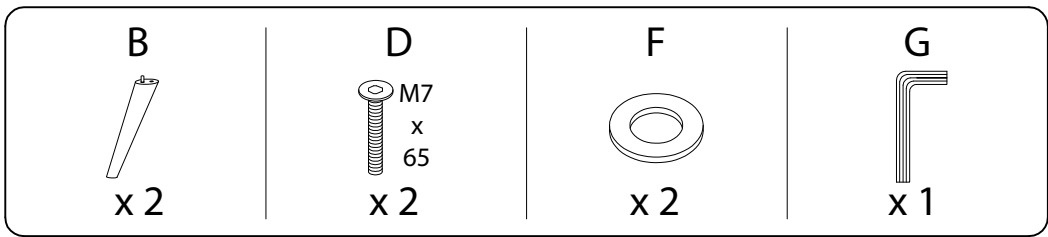


F	G	H
		 M7 x 30
x 10	x 1	x 8

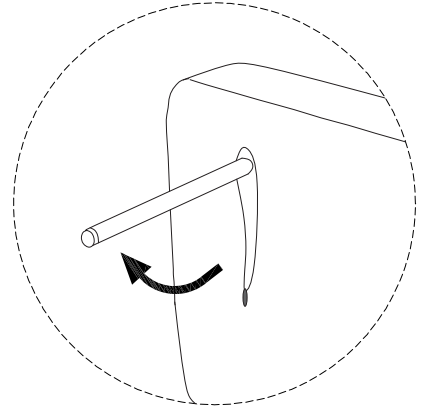
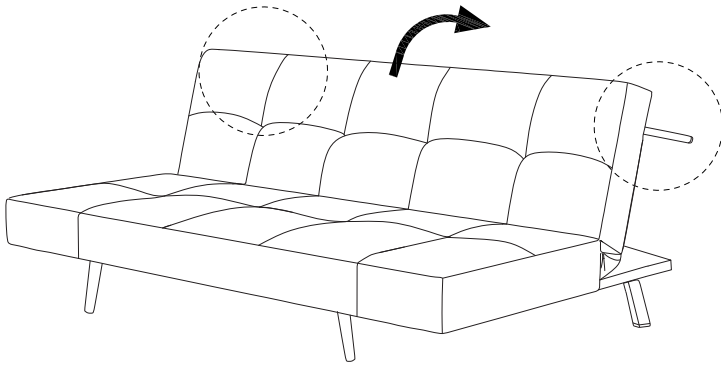
1



2



!



!

