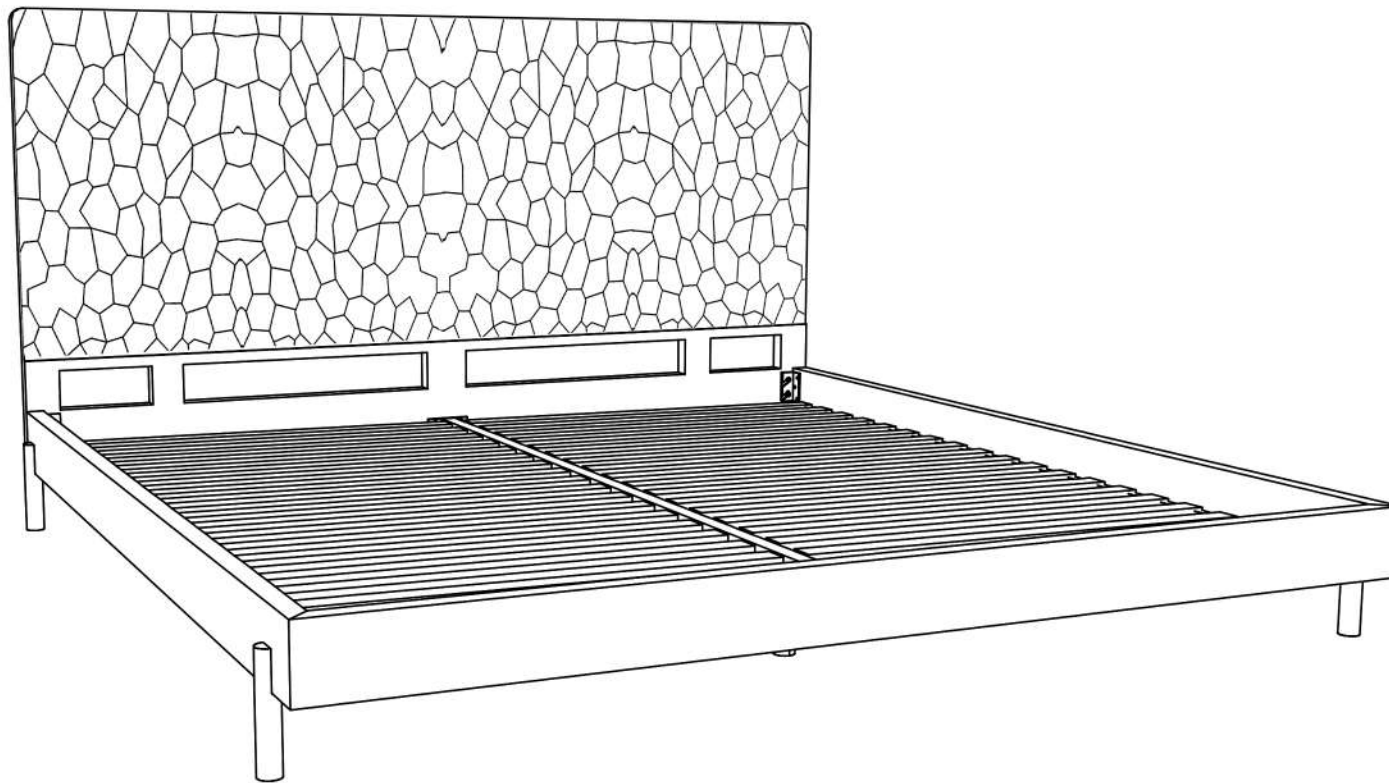


# **ASSEMBLY INSTRUCTIONS.**

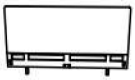




KING BED BLACK




THANK YOU FOR YOUR PURCHASE!

## PARTS AND HARDWARE

### PARTS LIST

No.	DESCRIPTION	IMAGE	QTY
1.	BED HEAD		01
2.	SIDE RAILS		02
3.	BACK REST		01
4.	CENTER RAILS		01
5.	SLATS		02

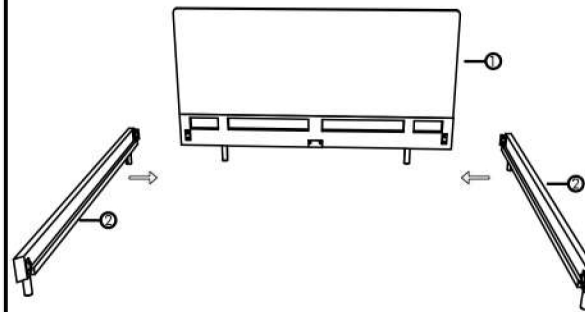
### HARDWARE LIST

No.	DESCRIPTION	IMAGE	QTY
1.	ALLEN KEY (5 MM)		01

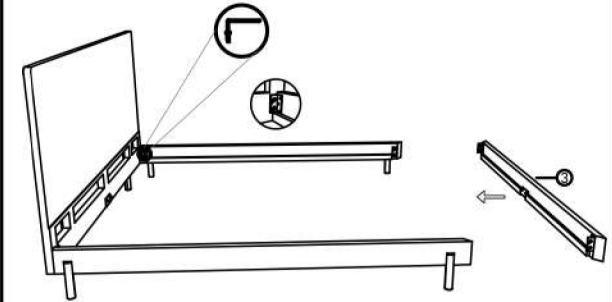
Thank you for purchasing this quality product ! Be sure to check all packing material carefully for small part that may have come loose inside the carton during shipping.

**CAUTION:** The item is heavy, assembly should be performed by two people.

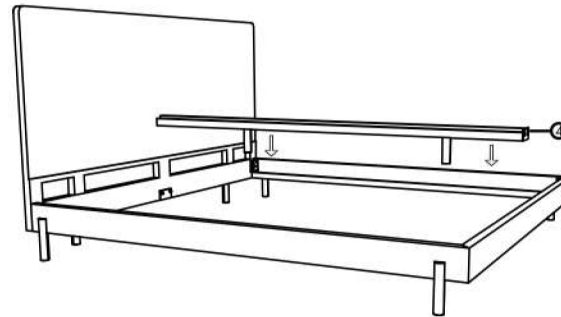
#### STEP 1.



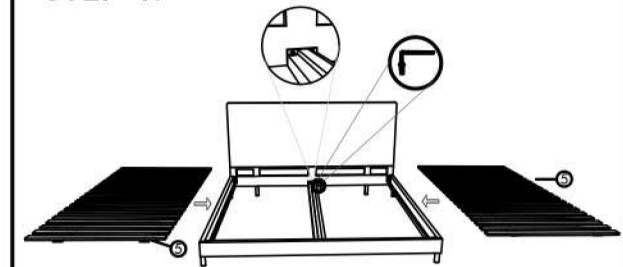
#### STEP 2.



#### STEP 3.



#### STEP 4.



#### STEP 5.

