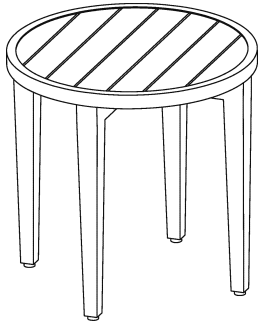


ASSMBLY INSTRUCTIONS



+ Do Not Use Power Tools



+ Suggested Adults



NOTE:

- 1 Read instructions cover to cover.
- 2 Save all packaging until assembly is completed.

1 IMPORTANT SAFETY INFORMATION

Do not assemble the product if any of the following parts arrived damaged:

Part#- Table Top ①

Part#- Table Leg ②

Part#- Table Leg ③

Do not assemble if any of the following hardware parts are missing:

Part#-Bolt

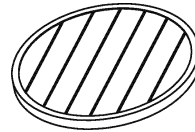
Part#-Allen key

2 IMPORTANT ASSEMBLY INFORMATION

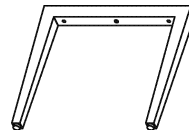
Assembly Step If loosening persists, please make sure to tighten all the bolts periodically, or use a thread locker adhesive.

+ Parts Included

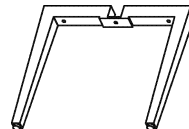
- ① Table Top
(1pc)



- ② Table Leg
(1pc)

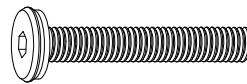


- ③ Table Leg
(1pc)

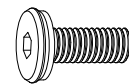


+ Hardware Included

- A Screws M6x55mm
(4pcs)



- B Screws M6x15mm
(1pc)



- C Washer M6
(5pcs)

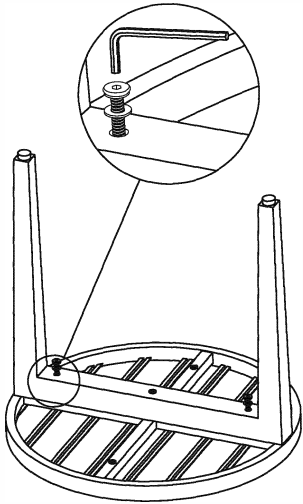


- D Allen Key
(1pc)

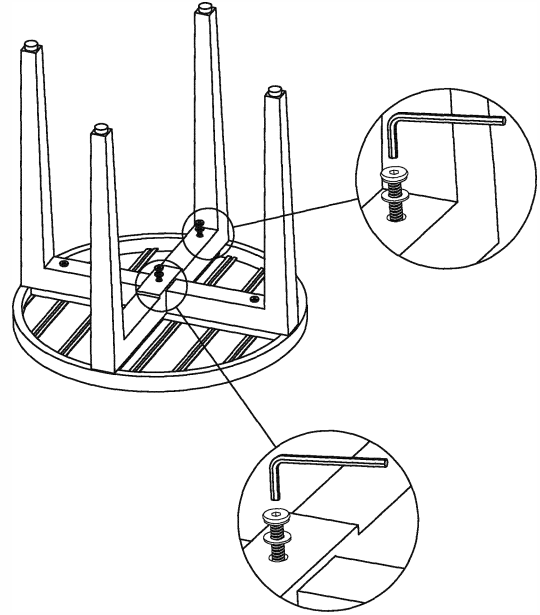


ASSEMBLY INSTRUCTIONS

- 1** Connect the legs to the table with fix screws.



- 2** Connect the legs to the table with fix screws.



- 3** Completed.

