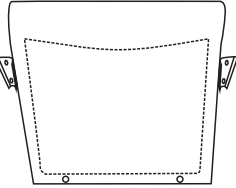

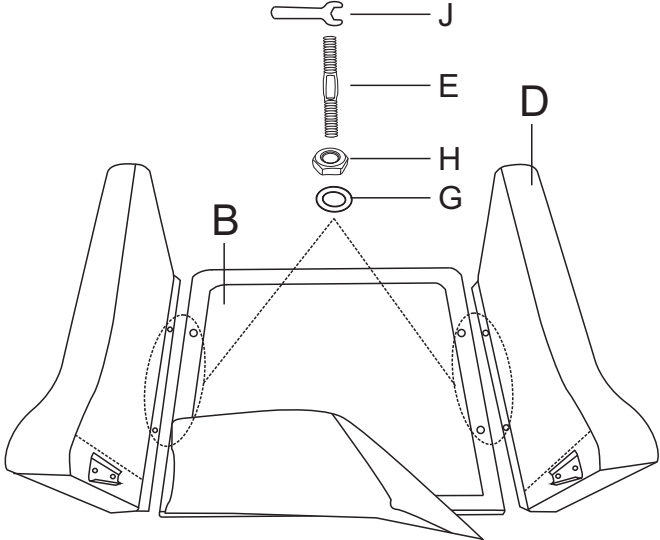
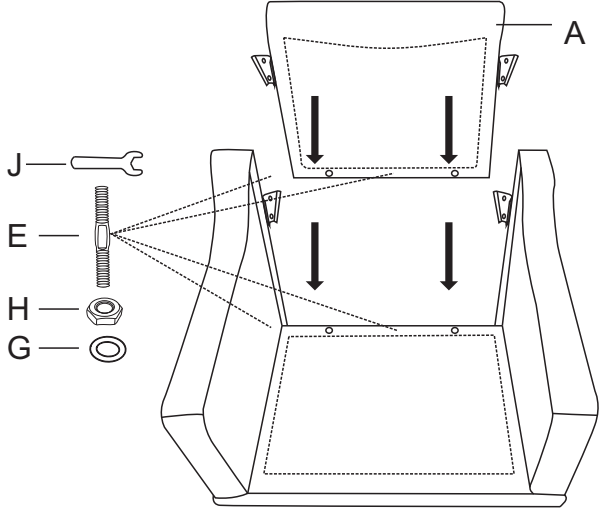
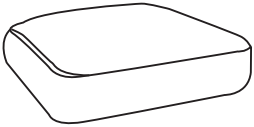

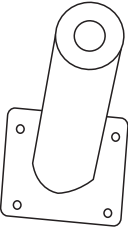
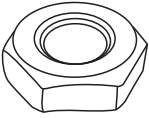
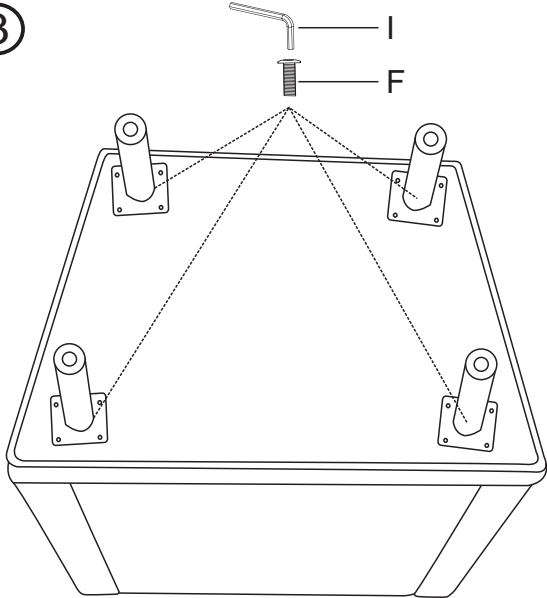
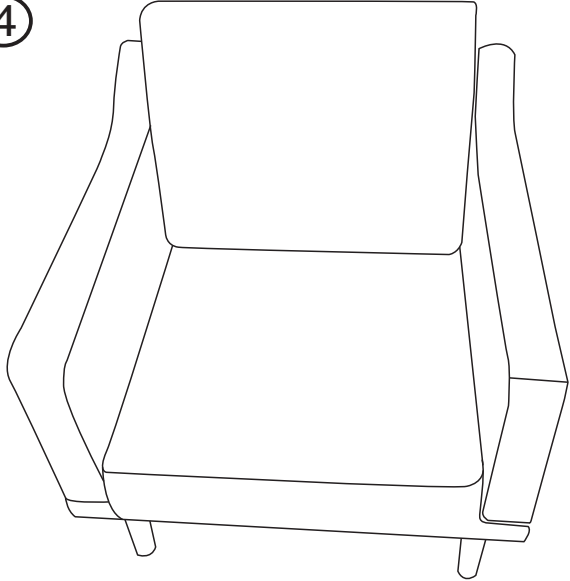
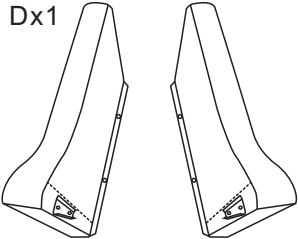
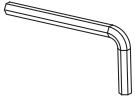
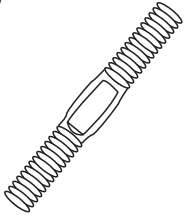


# Assembling Instruction

<p>Ax1</p> 	<p>Fx16</p>  <p>M6x20mm</p>	<p>① Remove the non-woven fabric, first insert screw E into the Armrest D and cushion B connection, then turn over the nut H and gasket G at the bottom of the wrench J tighten.</p> 	<p>② Insert screw E into the seat back A and cushion B connection, then turn the nut H and gasket G at the bottom of the wrench J tighten, and finally the non-woven fabric together.</p> 
<p>Bx1</p> 	<p>Gx6</p> 		
<p>Cx4</p> 	<p>Hx6</p> 	<p>③</p> 	<p>④</p> 
<p>Dx1</p> 	<p>Ix1</p>  <p>M6</p>		
<p>Ex6</p> 	<p>Jx1</p> 