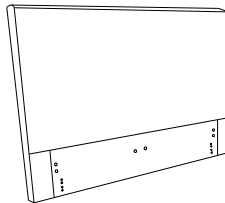


BED FULL/QUEEN SIZE ASSEMBLY INSTRUCTIONS

PARTS AND FITTING PACKAGING DETAIL

BOX #1

- P1. HEADBOARD 1 PC
- P2. WOODEN LEG 2 PCS



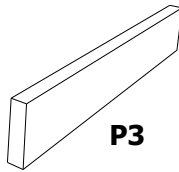
P1



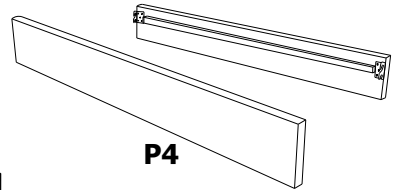
P2

BOX #2

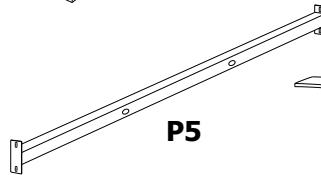
- P3. FOOTBOARD 1 PC
- P4. SIDE RAIL 2 PCS
- P5. CENTER SLAT SUPPORT 1 PC
- P6. SLAT 26 PCS
- P7. WOODEN LEG 2 PCS
- P8. SIDE RAIL SLAT CLIP 26 PCS
- P9. CENTER SUPPORT SLAT CLIP 13 PCS
- P10. CENTER SUPPORT LEG 2 PCS



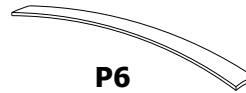
P3



P4



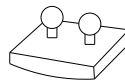
P5



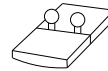
P6



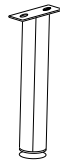
P7



P8

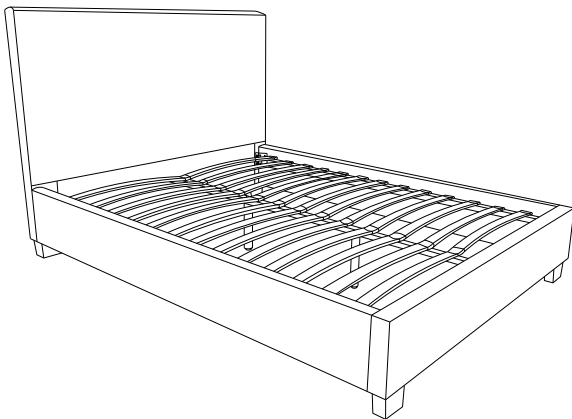


P9

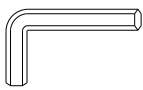
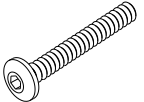
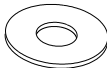


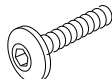




P10

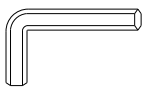
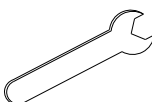
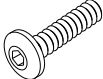
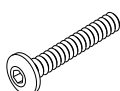
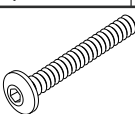
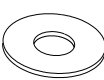


BED ASSEMBLED



HARDWARE* PACKED IN BOX #1

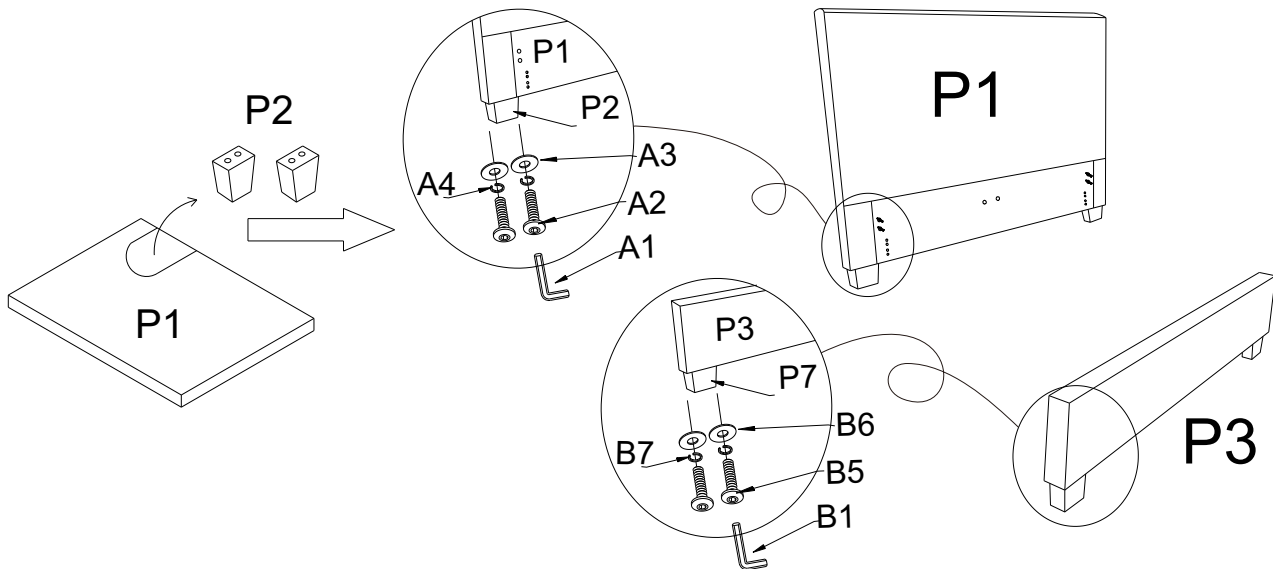
A1	ALLEN KEY 5/16"	1 PC	A2	BOLT 5/16"*3.25"	4 PCS	A3	FLAT WASHER	4 PCS	A4	LOCK WASHER	4 PCS
											
A5	ALLEN KEY 1/4"	1 PC	A6	BOLT 1/4"*1"	8 PCS	A7	FLAT WASHER	8 PCS	A8	LOCK WASHER	8 PCS
											

HARDWARE* PACKED IN BOX #2

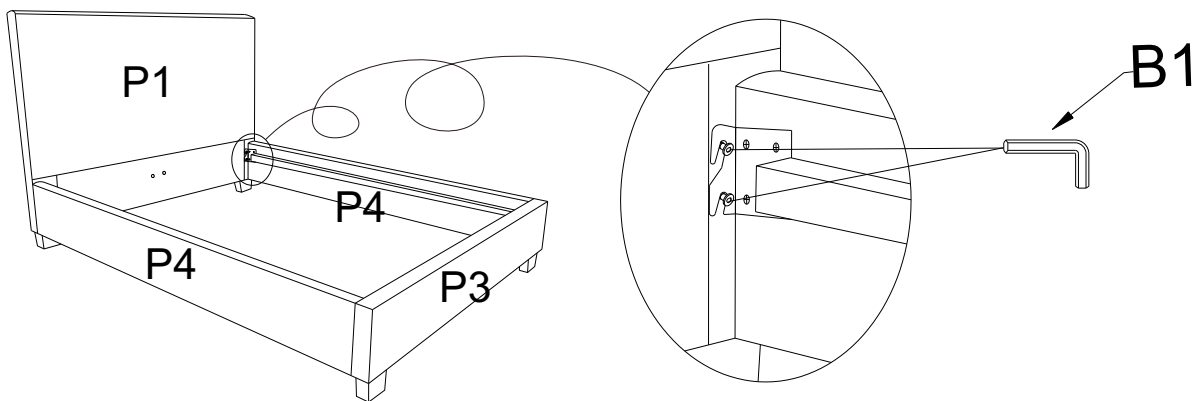
B1	ALLEN KEY 5/16"	1 PC	B2	SPANNER 5/16"	1 PC	B3	BOLT 5/16"*1"	4 PCS	B4	BOLT 5/16"*2.5"	4 PCS
											
B5	BOLT 5/16"*3.25"	4 PCS	B6	FLAT WASHER	16 PCS	B7	LOCK WASHER	12 PCS	B8	NUT 5/16"	4 PCS
											

STEP 1:

ASSEMBLE THE WOODEN LEGS TO THE BOTTOM OF HEADBOARD AND FOOTBOARD.

**STEP 2 :**

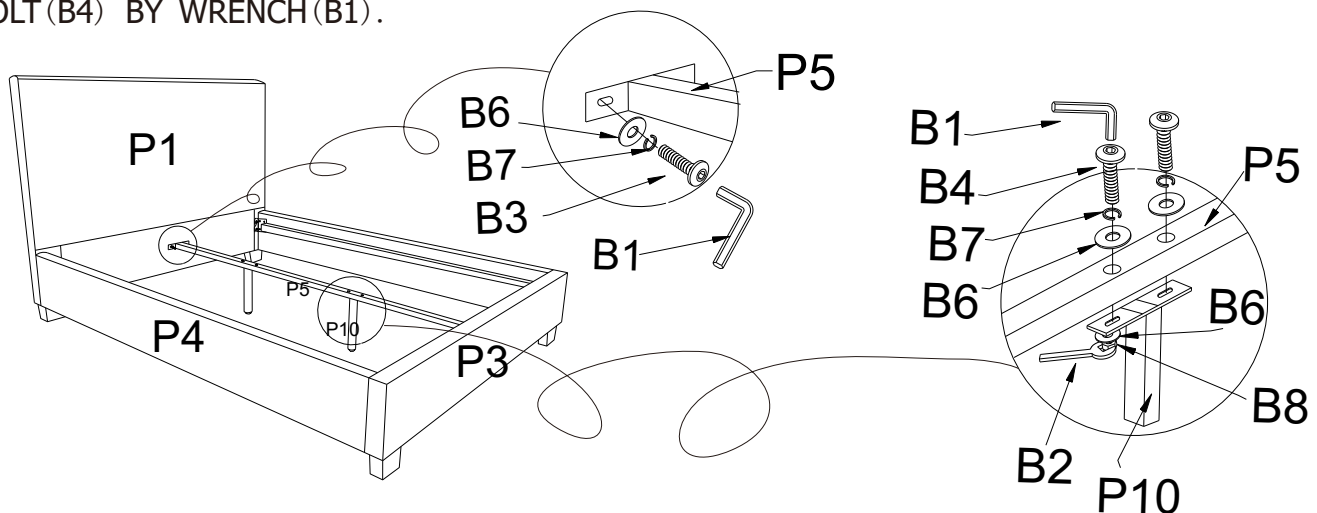
LOOSEN THE BOLTS OF HEADBOARD(P1) & FOOTBOARD(P3). CONNECT THE SIDERAIL(P4) WITH HEADBOARD(P1) AND FOOTBOARD (P3) BY HOOK, TIGHTEN THE PRE-INSTALLED BOLTS BY WRENCH(B1).

**STOP**

- IF USING BED WITH AN ADJUSTABLE MATTRESS BASE, SKIP STEPS 3,4& 5 AND REFERENCE APPENDIX A: ADJUSTABLE MATTRESS BASE ASSEMBLY SUPPLEMENT.
- IF USING BED FRAME WITH STANDARD BOX SPRING OR FOUNDATION, CONTINUE TO STEP 3.

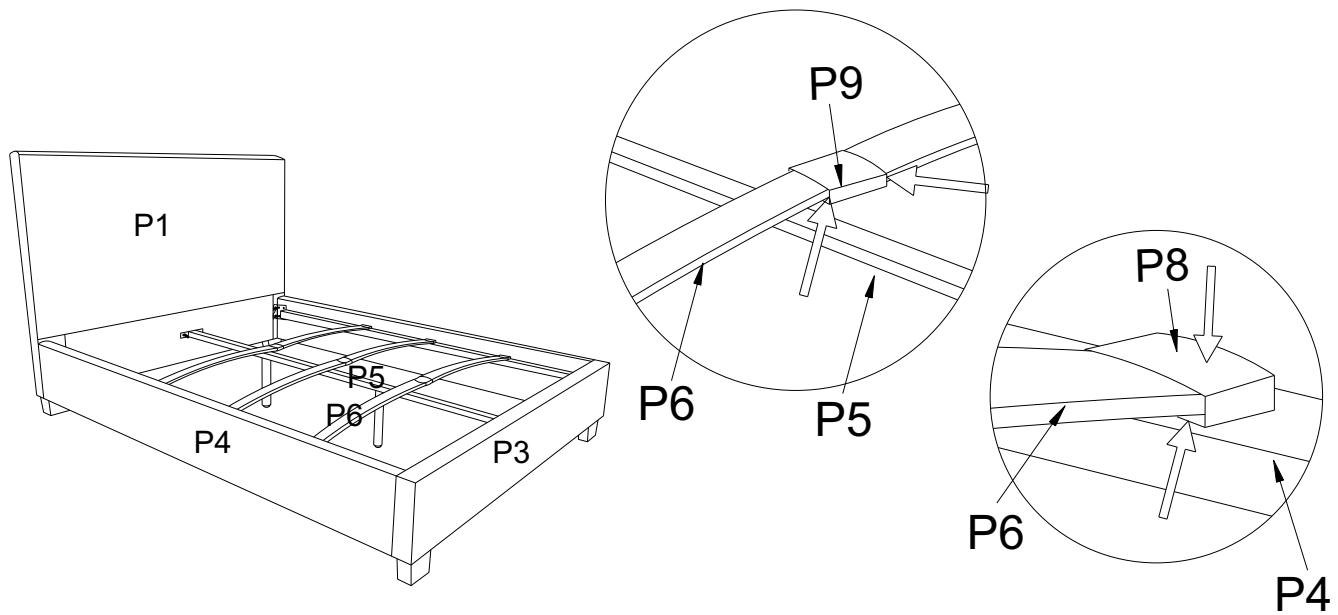
STEP 3 :

CONNECT THE METAL TUBE TO THE HEADBOARD & FOOTBOARD WITH BOLT(B3) BY WRENCH(B1).ASSEMBLE THE SUPPORT LEG(P10) TO THE BOTTOM OF TUBE WITH BOLT (B4) BY WRENCH (B1).



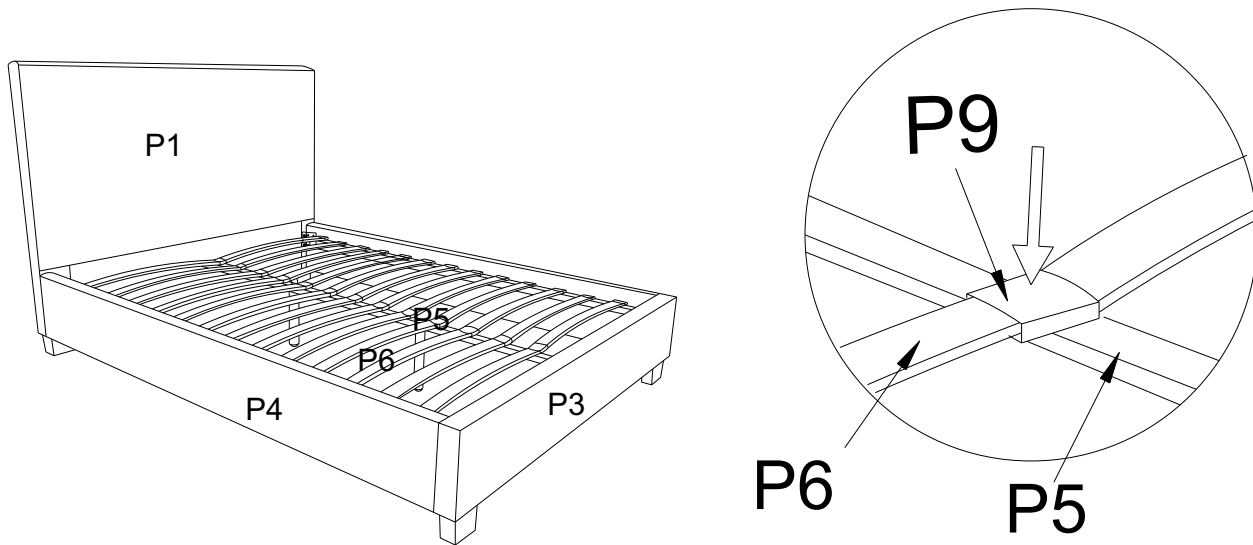
STEP 4 :

INSERT CLIPS(P8) TO SIDE RAILS' TUBE.INSERT SLATS TO THE CLIPS(P8),THEN CONNECT THE TWO SIDE'S OF THE SLATS TOGETHER BY CLIPS(P9).



STEP 5 :

INSERT CLIPS(P9) INTO THE MIDDLE TUBE OF THE REMAINING SLATS TO THE BED FOUNDATION.

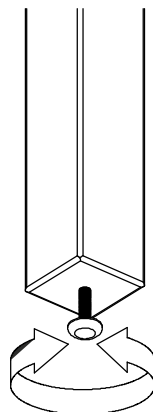


INSTRUCTIONS FOR ADJUSTING LEVELERS :

POSITION THE BED IN YOUR ROOM. LOCATE LEVELERS UNDER EACH SUPPORT LEG (P10).

TURN COUNTER-CLOCKWISE TO EXTEND, CLOCKWISE TO RETRACT.

ADJUST LEVELERS UNTIL EACH LEG SUPPORT IS APPLYING EQUAL UPWARD PRESSURE ON THE CENTER SLAT.



MAINTENANCE INSTRUCTIONS :

- REMOVE BOX SPRING AND MATTRESS BEFORE MOVING YOUR BED.
- LIFT YOUR BED WHEN MOVING IT. DRAGGING CAN DAMAGE CENTER SUPPORT.
- READJUST LEVELERS AFTER MOVING YOUR BED.

BED FULL/QUEEN SIZE ASSEMBLY INSTRUCTIONS

APPENDIX A: ADJUSTABLE MATTRESS BASE ASSEMBLY SUPPLEMENT

AN ADJUSTABLE MATTRESS BASE IS A FREESTANDING MATTRESS SUPPORT THAT SITS WITHIN THE PERIMETER OF THE BED FRAME.

IF USING THIS BED FRAME WITH A STANDARD BOX SPRING OR FOUNDATION THESE INSTRUCTIONS DO NOT APPLY.

PRE-ASSEMBLED SIDE RAIL CLEATS OBSTRUCT ADJUSTABLE BASE INSTALLATION AND OPERATION. FOLLOW THESE INSTRUCTIONS TO REMOVE THEM.

WARNING!

SIDE RAIL CLEATS ARE HELD IN PLACE USING PHILLIPS HEAD SCREWS. ONCE THEY ARE REMOVED THE USER WILL NOT BE ABLE TO SAFELY RE-INSTALL THE SIDE RAIL CLEATS FOR FUTURE USE WITH A STANDARD BOX SPRING OR FOUNDATION.

THE FOLLOWING PARTS ARE NOT REQUIRED FOR ADJUSTABLE MATTRESS BASE INSTALLATION:

P5. CENTER SLAT SUPPORT	1 PC
P6. SLAT	26 PCS
P8. SIDE RAIL SLAT CLIP	26 PCS
P9. CENTER SUPPORT SLAT CLIP	13 PCS
P10. CENTER SUPPORT LEG	2 PCS

STEP 1 :

USE A PHILLIPS HEAD SCREWDRIVER (NOT PROVIDED) TO UNSCREW THE PHILLIPS SCREWS AND REMOVE THE PRE-ASSEMBLED SIDE RAIL CLEATS.

