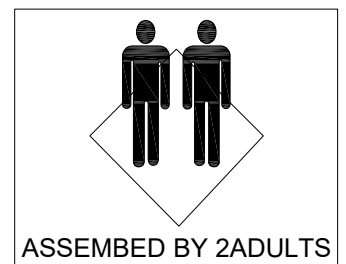
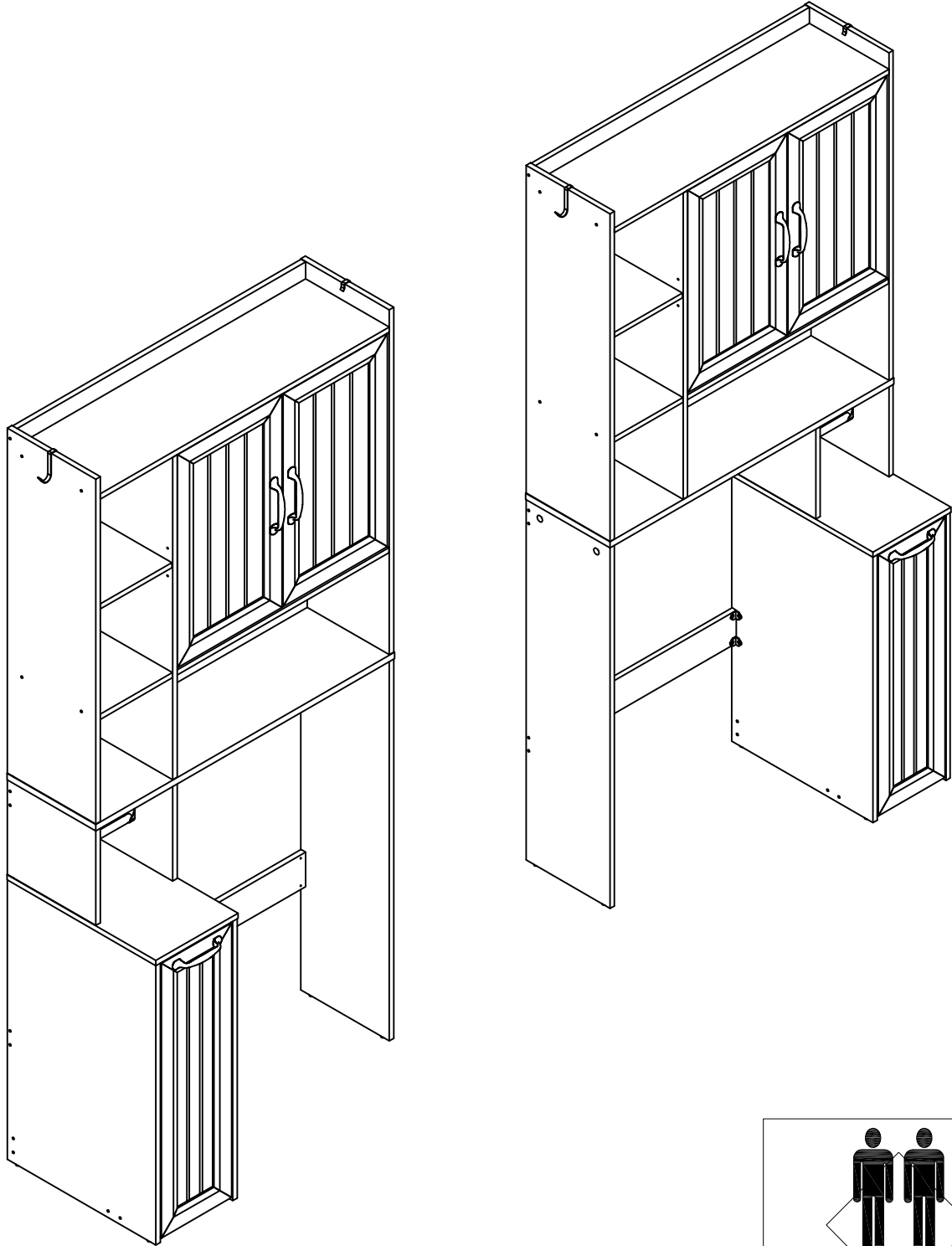
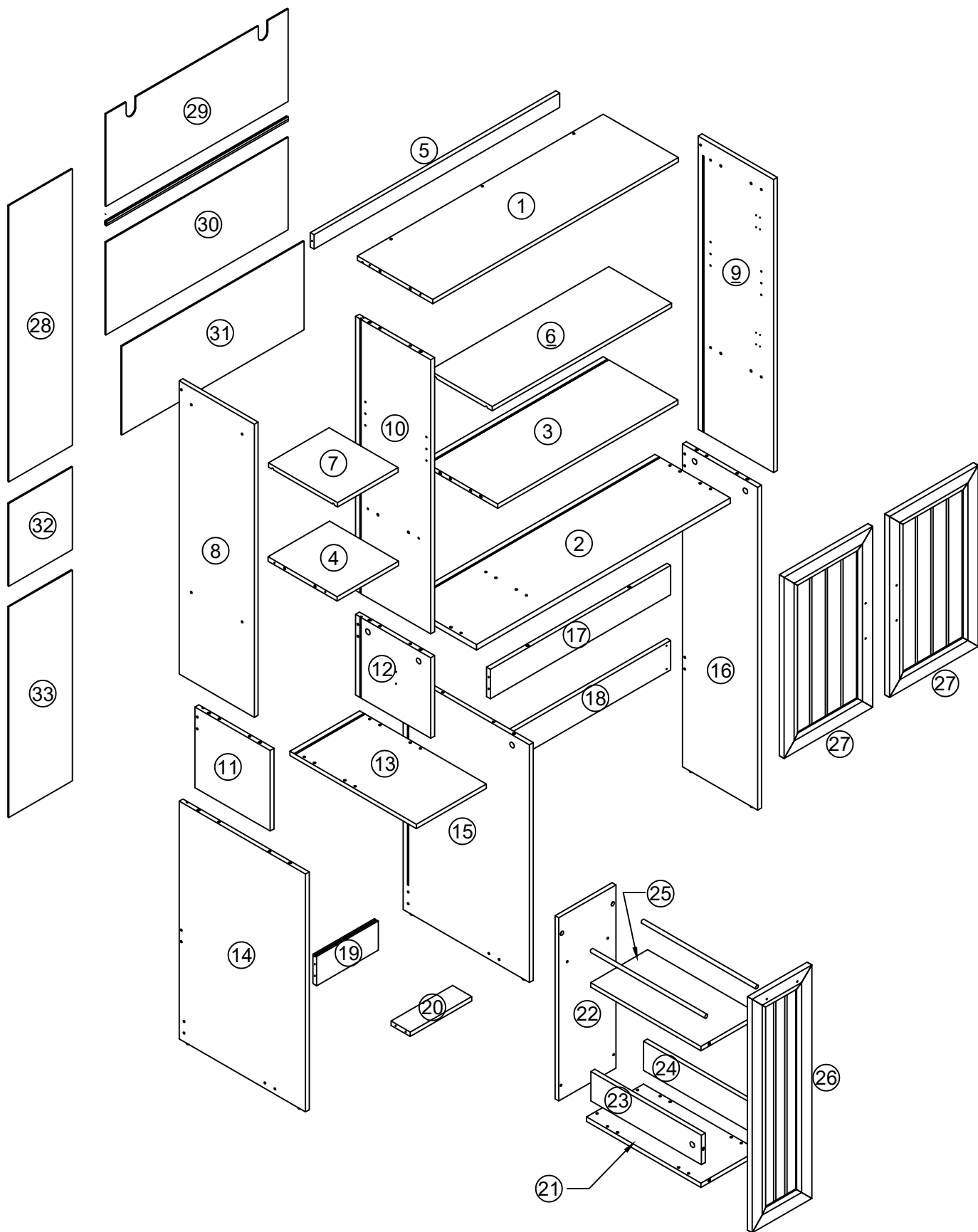


ASSEMBLY INSTRUCTIONS

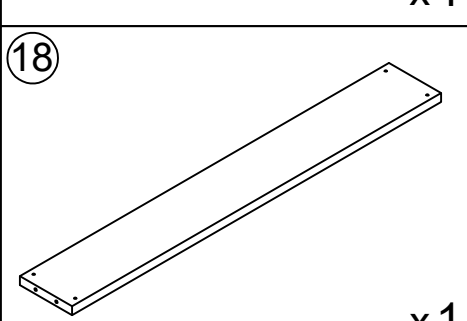
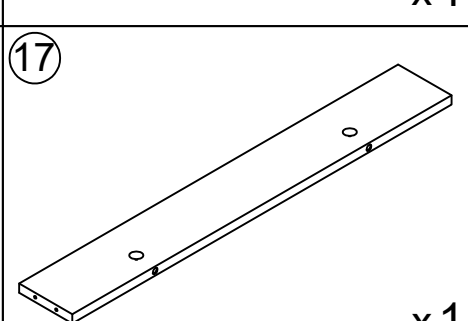
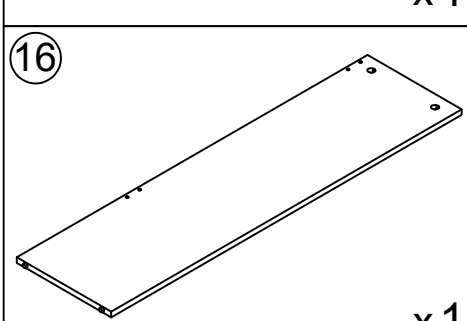
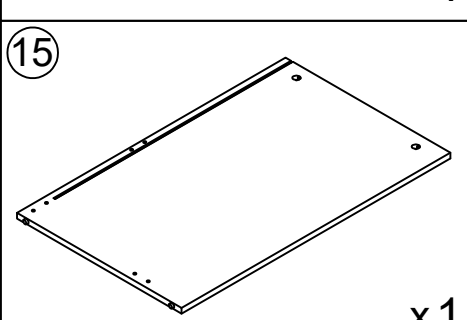
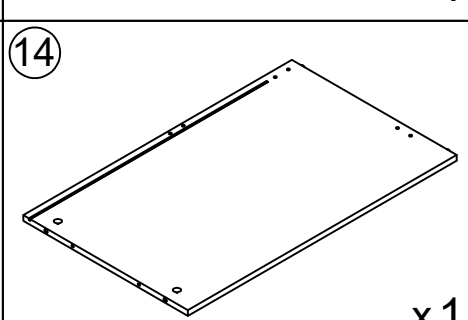
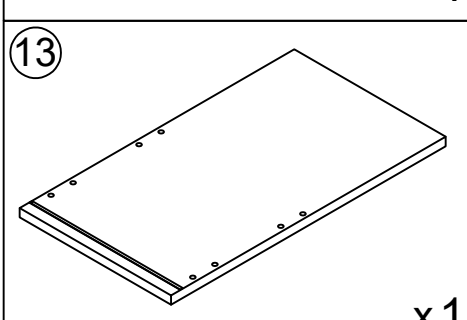
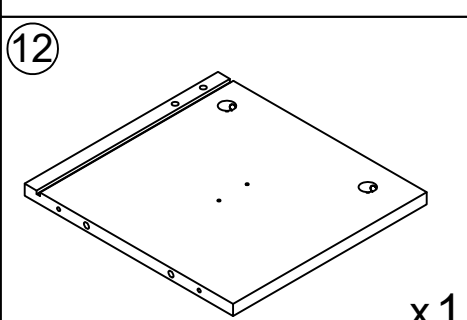
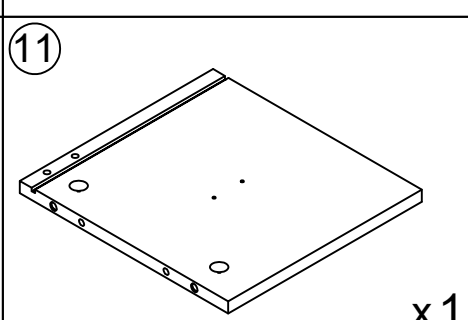
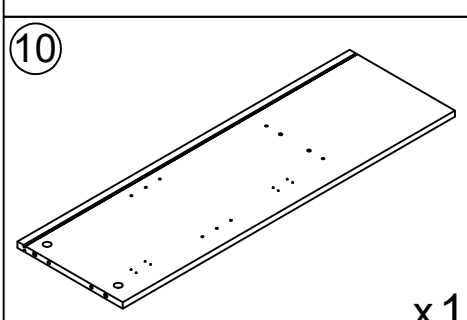
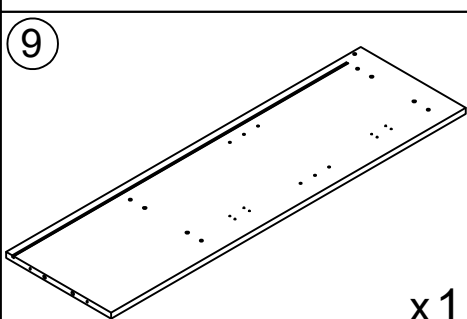
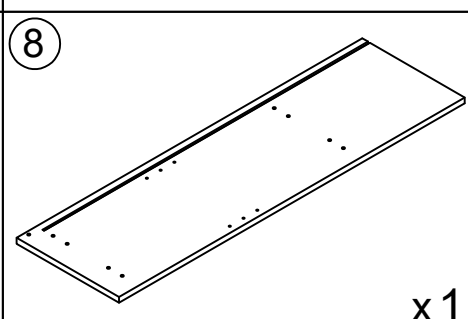
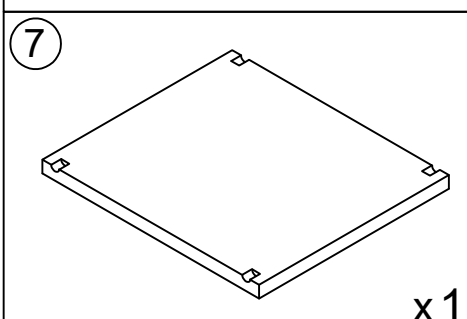
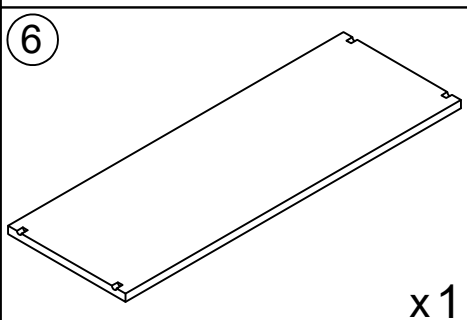
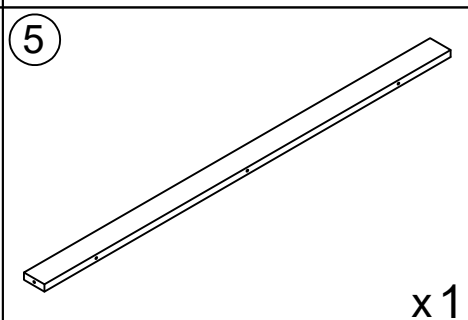
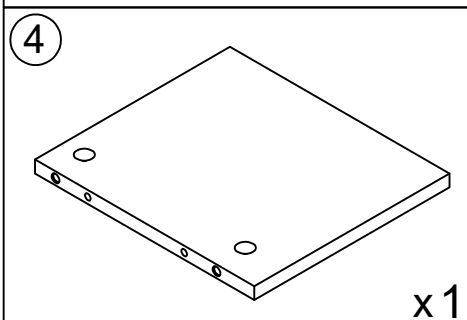
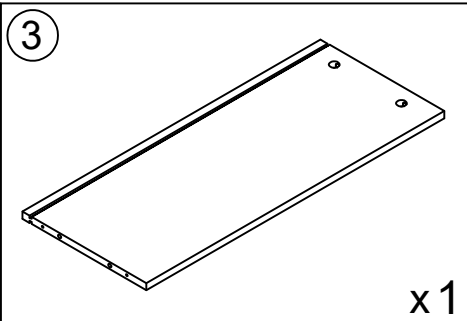
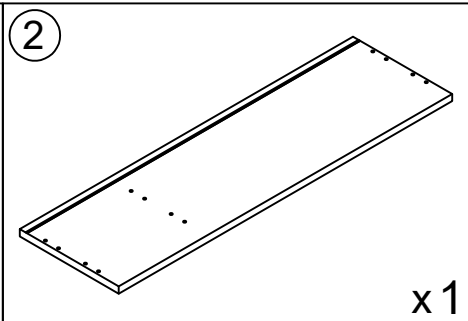
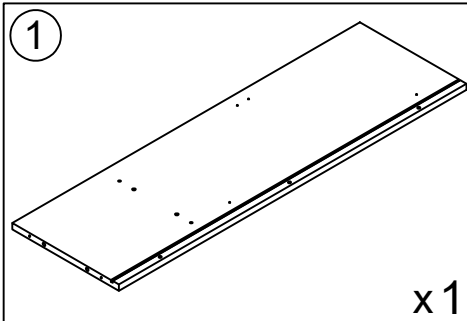


version: 1.0

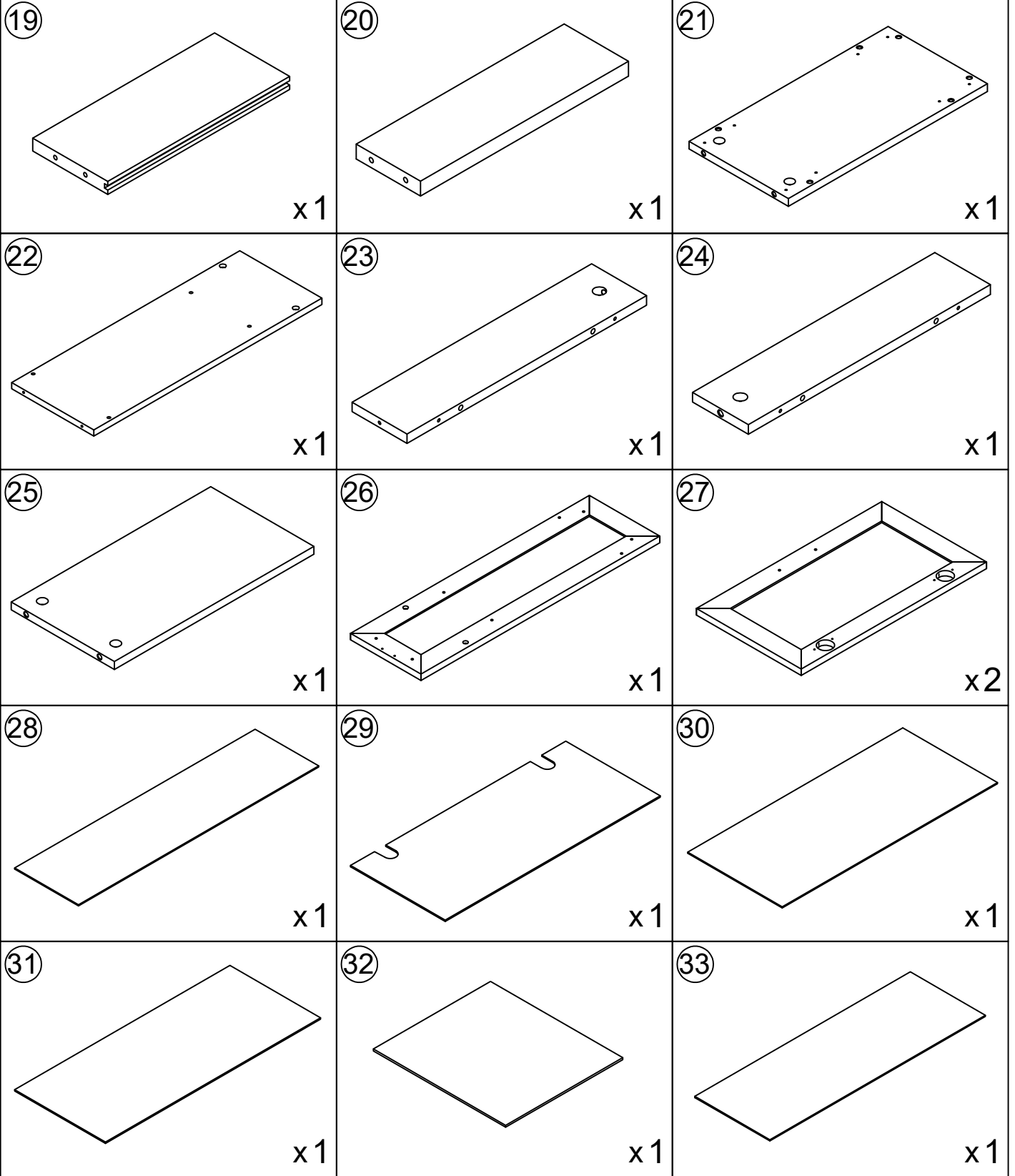
ASSEMBLY INSTRUCTIONS



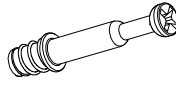


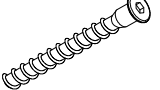
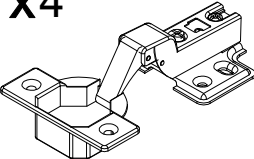
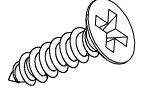
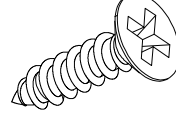
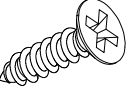
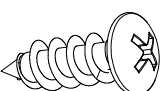
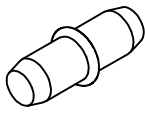
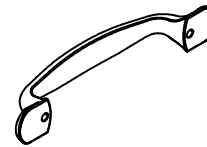
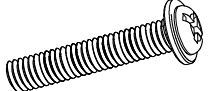
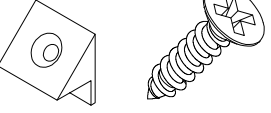

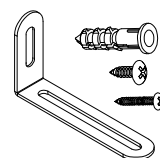
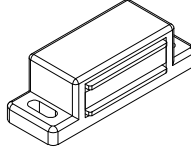
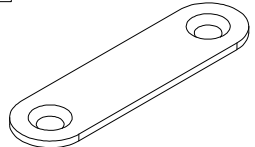
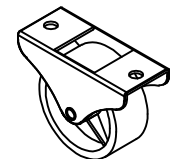
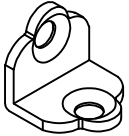
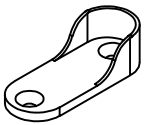
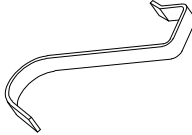
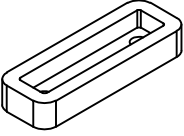

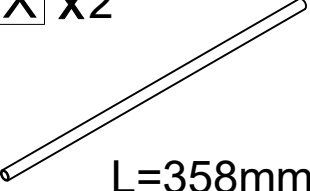
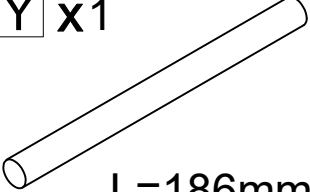
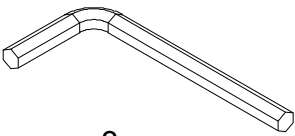
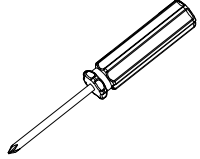
ASSEMBLY INSTRUCTIONS

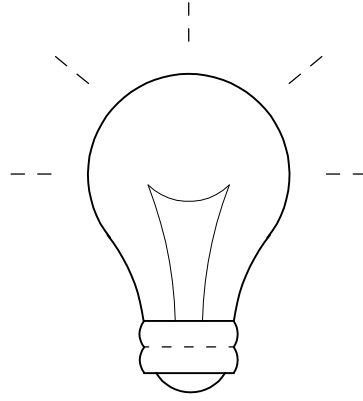


ASSEMBLY INSTRUCTIONS



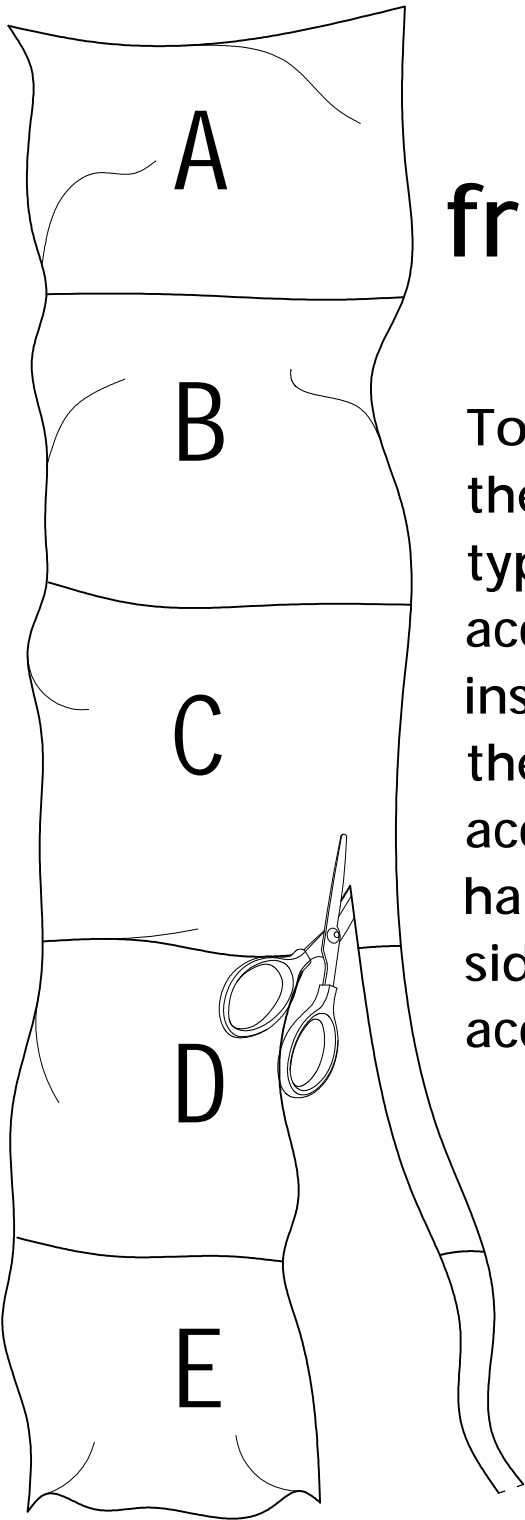
ASSEMBLY INSTRUCTIONS

<p>A x24+2</p>  <p>Ø6x35mm</p>	<p>B x24+2</p>  <p>Ø15x10mm</p>	<p>C x38+3</p>  <p>Ø6x30mm</p>	<p>D x49+4</p>  <p>Ø5x38mm</p>
<p>E x4</p> 	<p>F x36+3</p>  <p>Ø3.5x12mm</p>	<p>G x8+1</p>  <p>Ø4x12mm</p>	<p>H x4+1</p>  <p>Ø3x12mm</p>
<p>I x2+1</p>  <p>Ø3x14mm</p>	<p>J x8+1</p> 	<p>K x3</p> 	<p>L x6+1</p>  <p>M4x18mm</p>
<p>M x20+2</p>  <p>Ø6xØ3x16mm</p>	<p>N x26+2</p>  <p>Ø20mm</p>	<p>O x2</p> 	<p>P x1</p> 
<p>Q x1</p> 	<p>R x4</p> 	<p>S x4</p> 	<p>T x2</p> 
<p>U x2</p> 	<p>V x1</p> 	<p>W x1</p>  <p>L=566mm</p>	<p>X x2</p>  <p>L=358mm</p>
<p>Y x1</p>  <p>L=186mm</p>	<p>Z x1</p>  <p>3mm</p>	<p>x1</p> 	



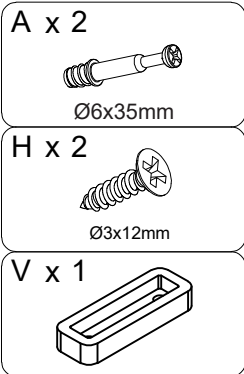
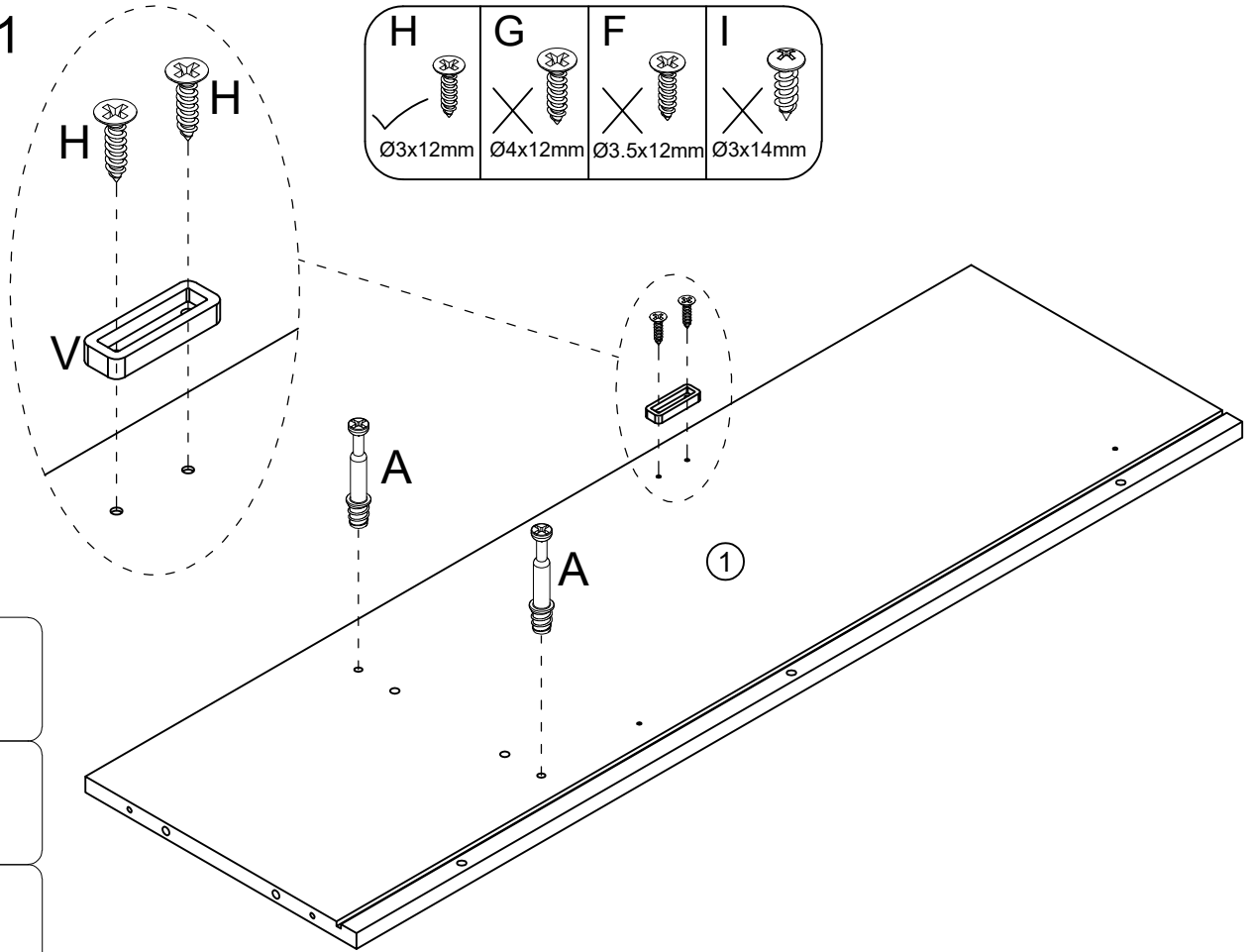
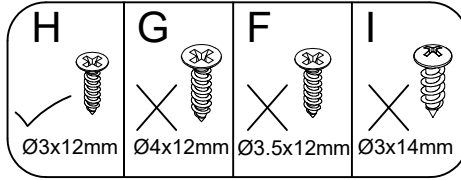
friendly reminder

To avoid errors and confusion during the installation of accessories, use the type and quantity of hardware accessories according to the installation procedure described in the instructions. First, unroll the accessories bag and lay out the hardware accessories, cut holes in the side, and take out the hardware accessories

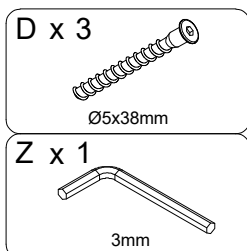
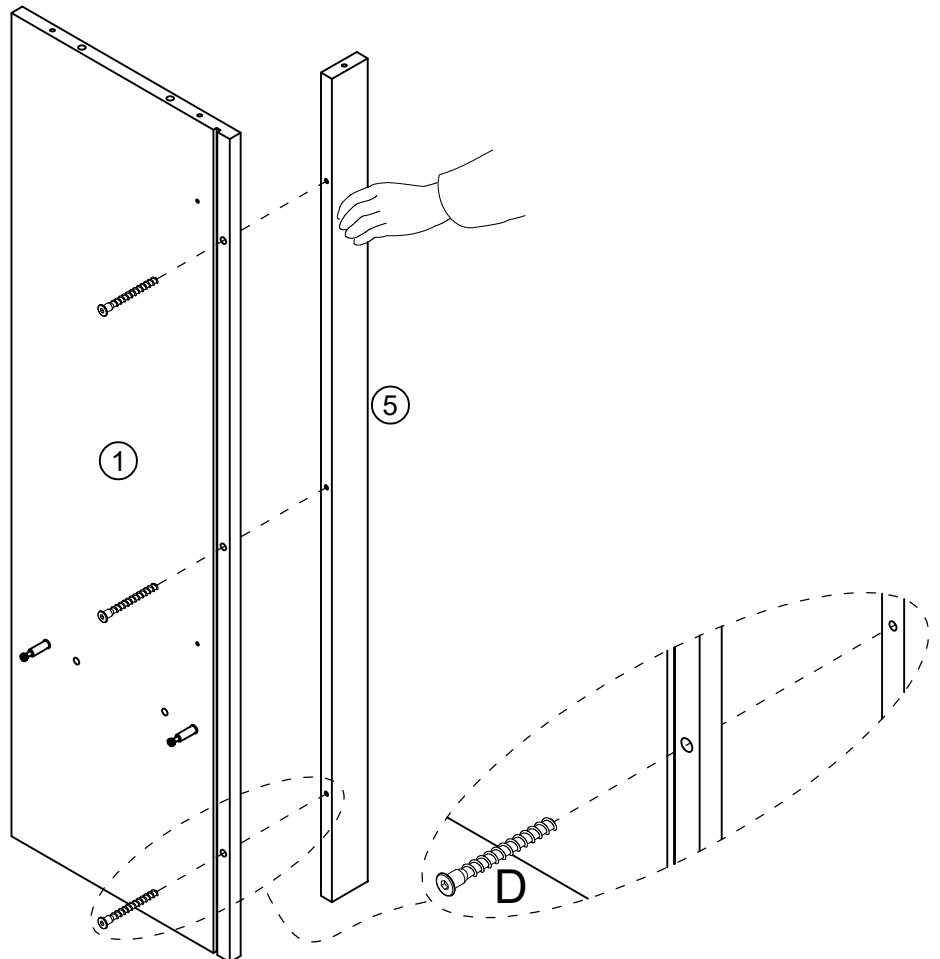


INSTALLATION INSTRUCTION

STEP 01

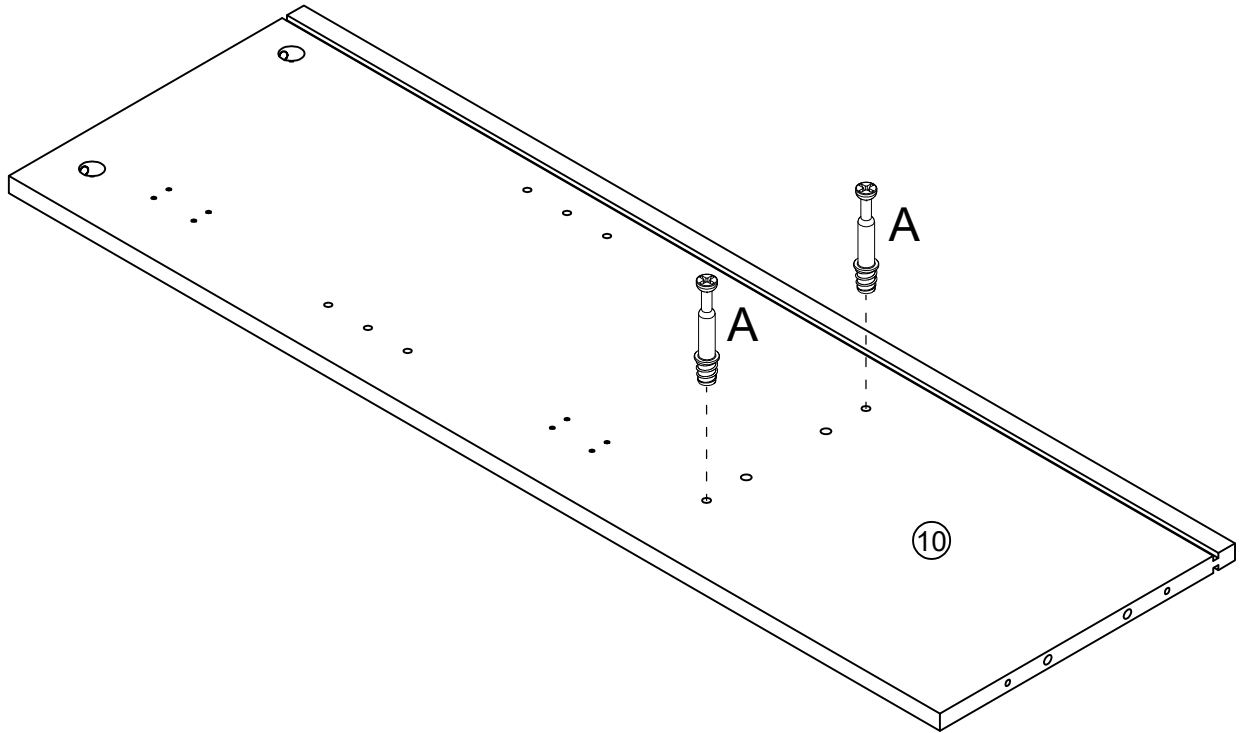


STEP 02

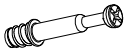


INSTALLATION INSTRUCTION

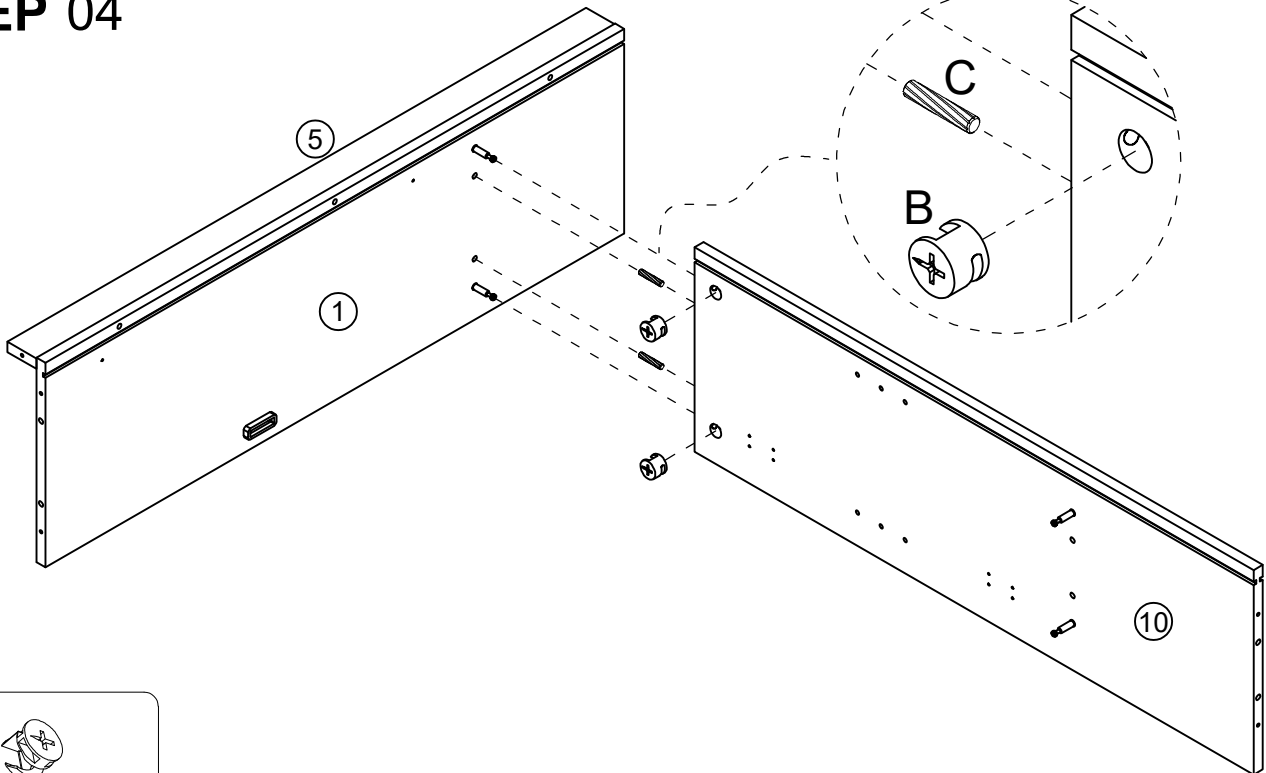
STEP 03



A x 2



STEP 04



B x 2



Ø15x10mm

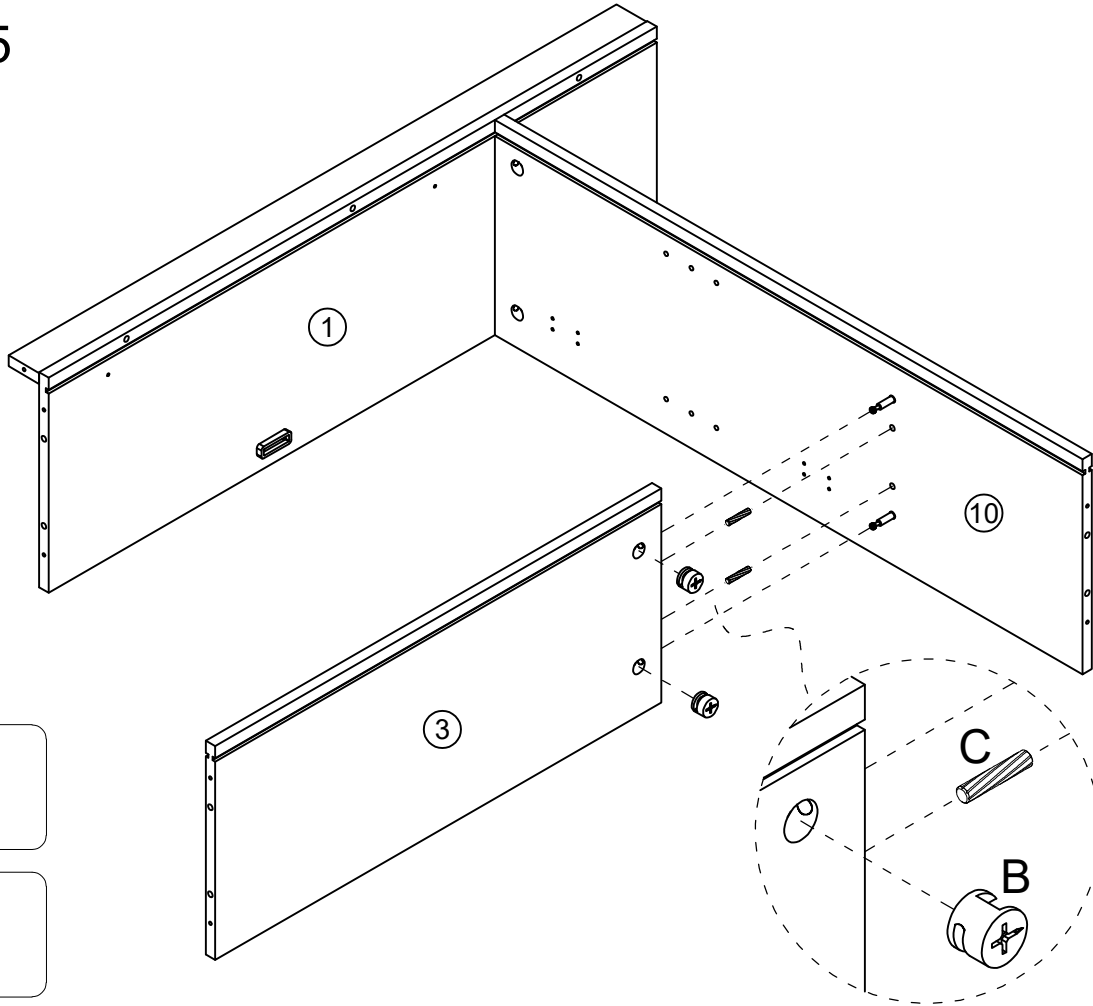
C x 2



Ø6x30mm

INSTALLATION INSTRUCTION

STEP 05



B x 2



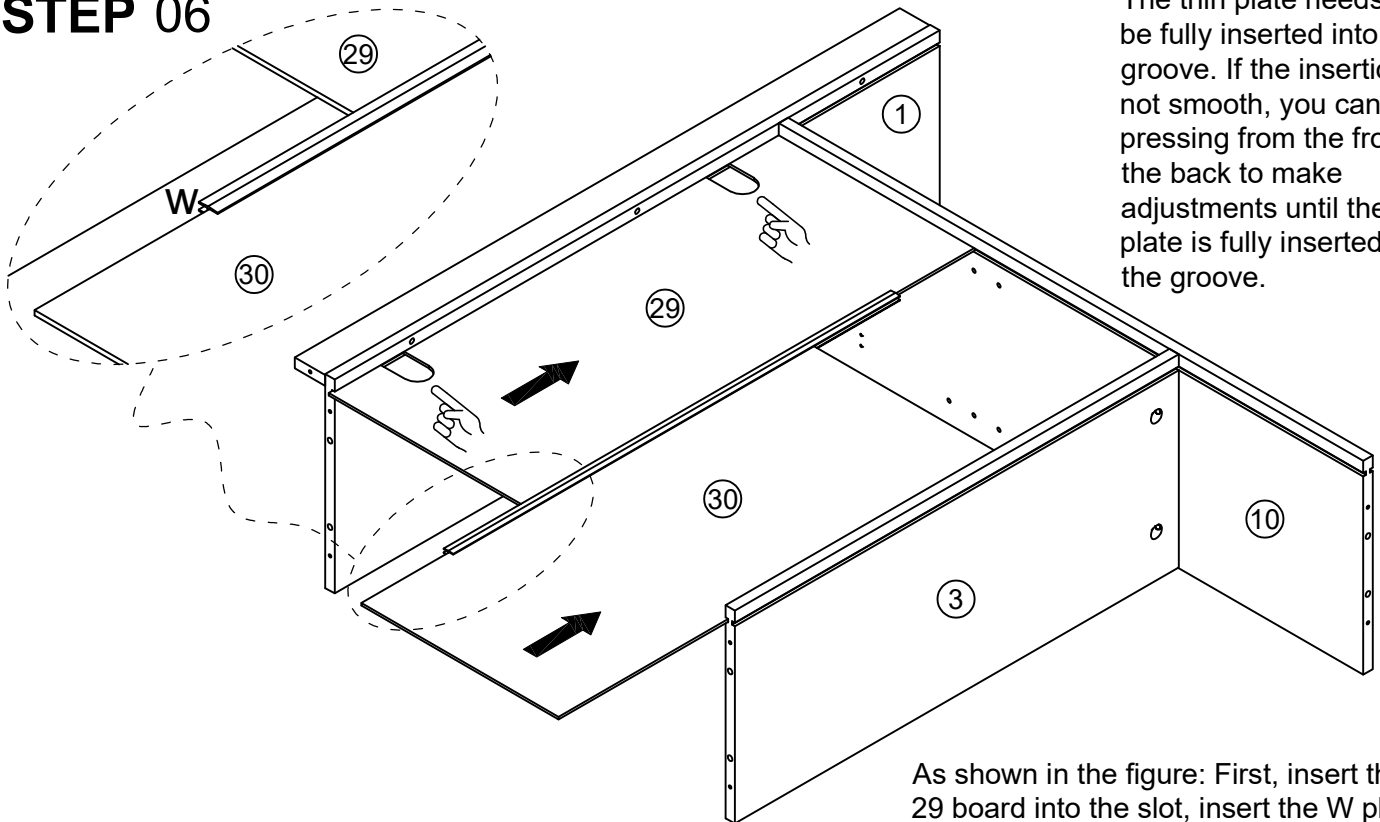
Ø15x10mm

C x 2



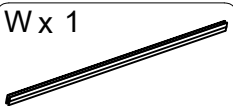
Ø6x30mm

STEP 06



The thin plate needs to be fully inserted into the groove. If the insertion is not smooth, you can try pressing from the front or the back to make adjustments until the thin plate is fully inserted into the groove.

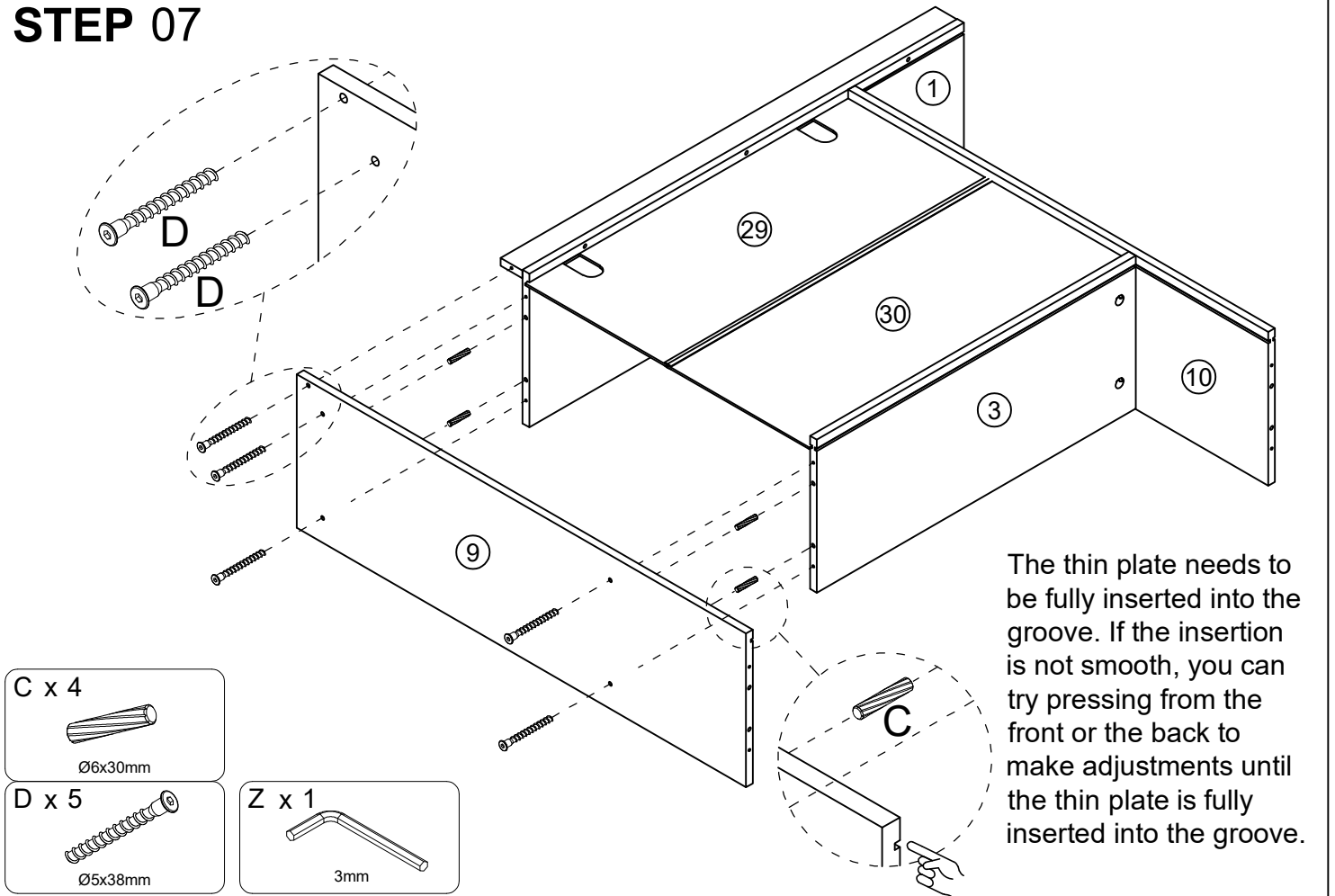
W x 1



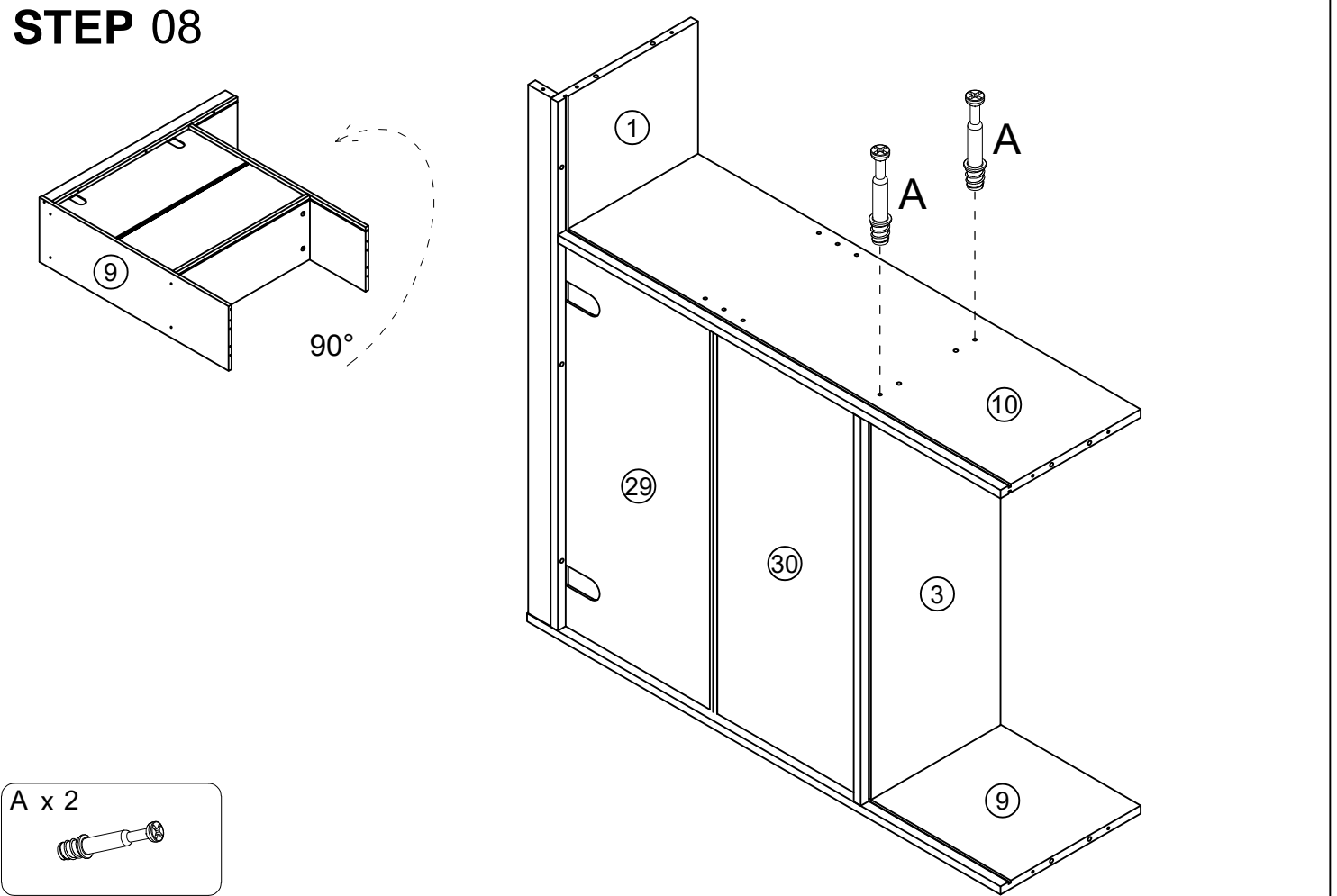
As shown in the figure: First, insert the # 29 board into the slot, insert the W plastic card strip and clip it into the previously inserted # 29 board, then insert the # 30 board into the W plastic card strip and push it in.

INSTALLATION INSTRUCTION

STEP 07

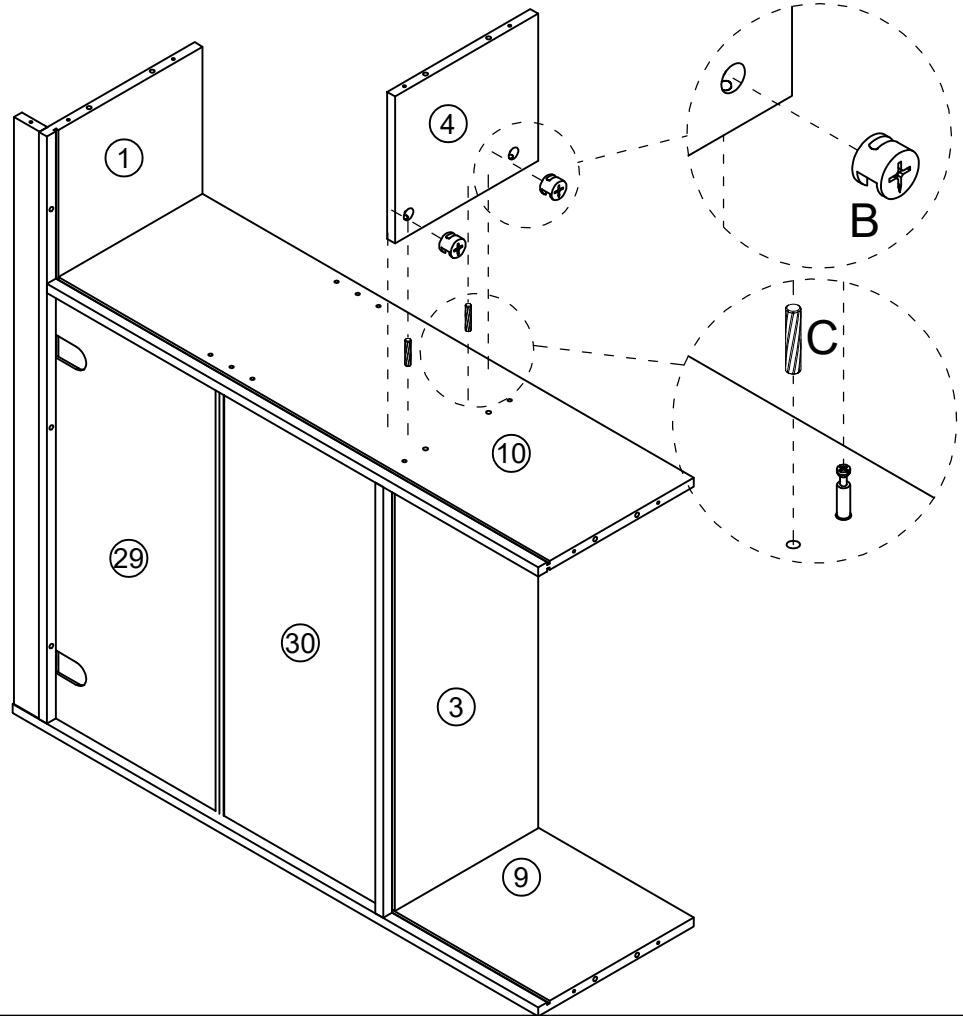


STEP 08



INSTALLATION INSTRUCTION

STEP 09



B x 2



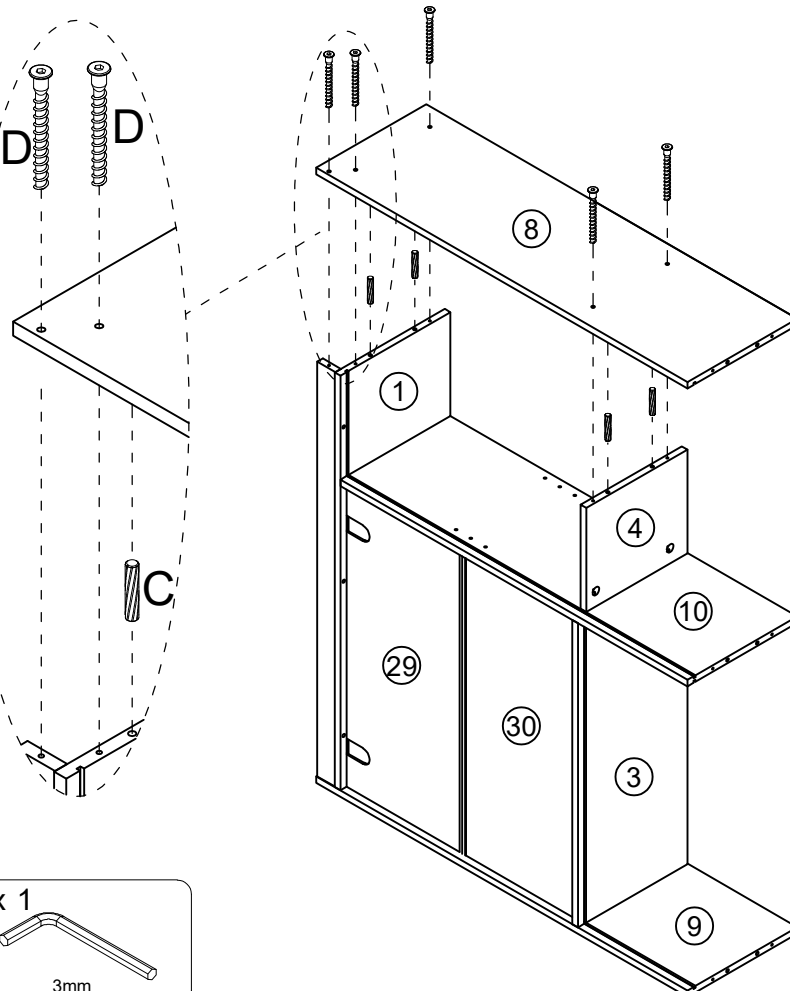
Ø15x10mm

C x 2



Ø6x30mm

STEP 10

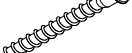


C x 4



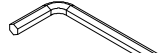
Ø6x30mm

D x 5



Ø5x38mm

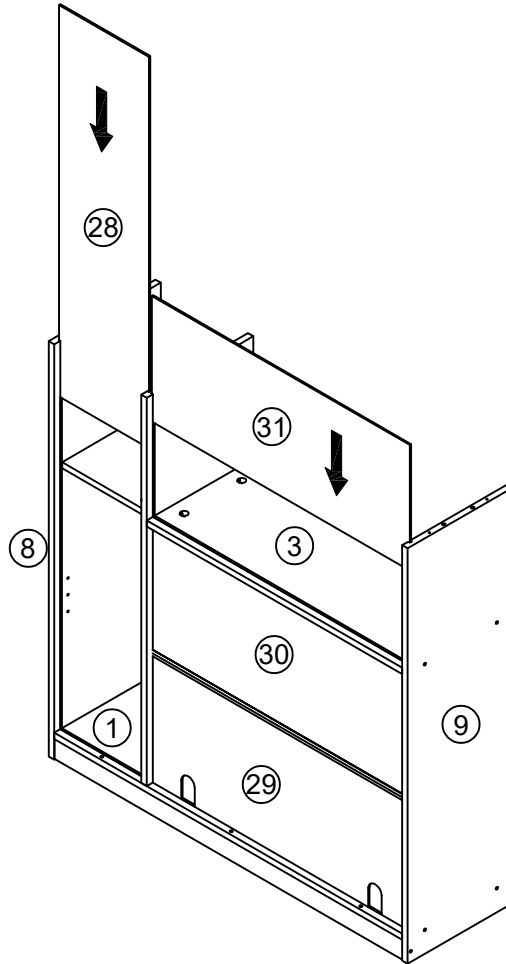
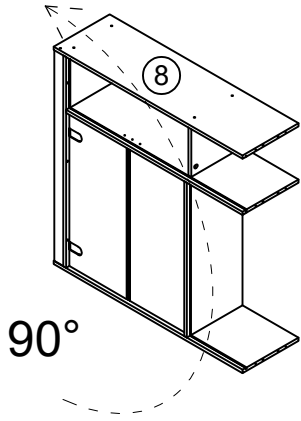
Z x 1



3mm

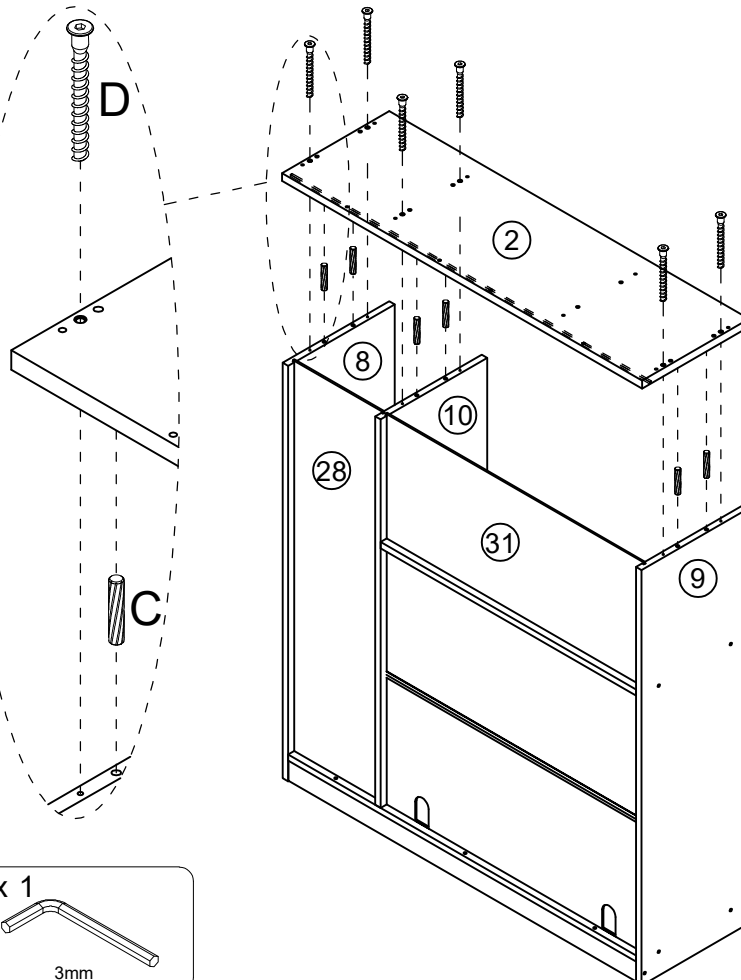
INSTALLATION INSTRUCTION

STEP 11

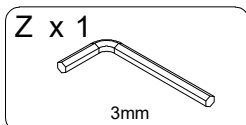
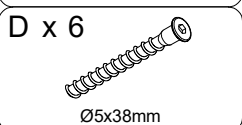
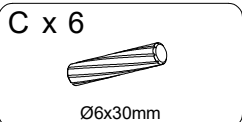


The thin plate needs to be fully inserted into the groove. If the insertion is not smooth, you can try pressing from the front or the back to make adjustments until the thin plate is fully inserted into the groove.

STEP 12

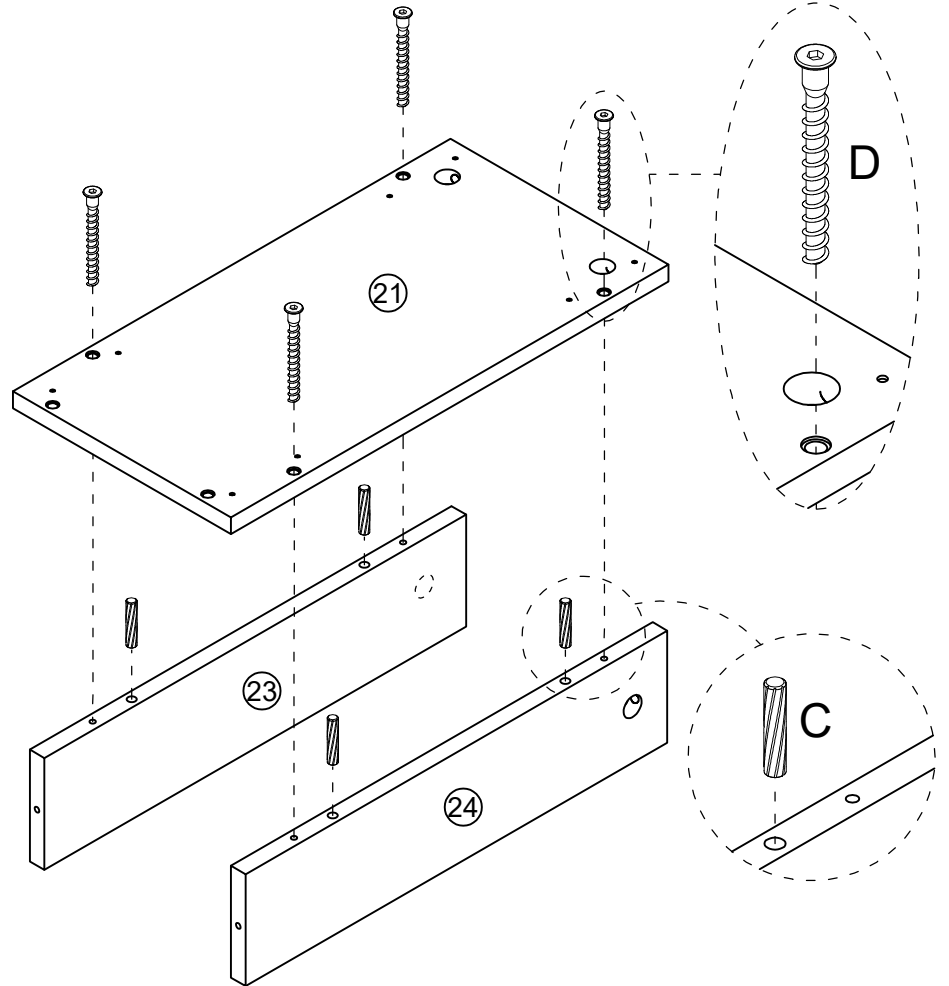


The thin plate needs to be fully inserted into the groove. If the insertion is not smooth, you can try pressing from the front or the back to make adjustments until the thin plate is fully inserted into the groove.



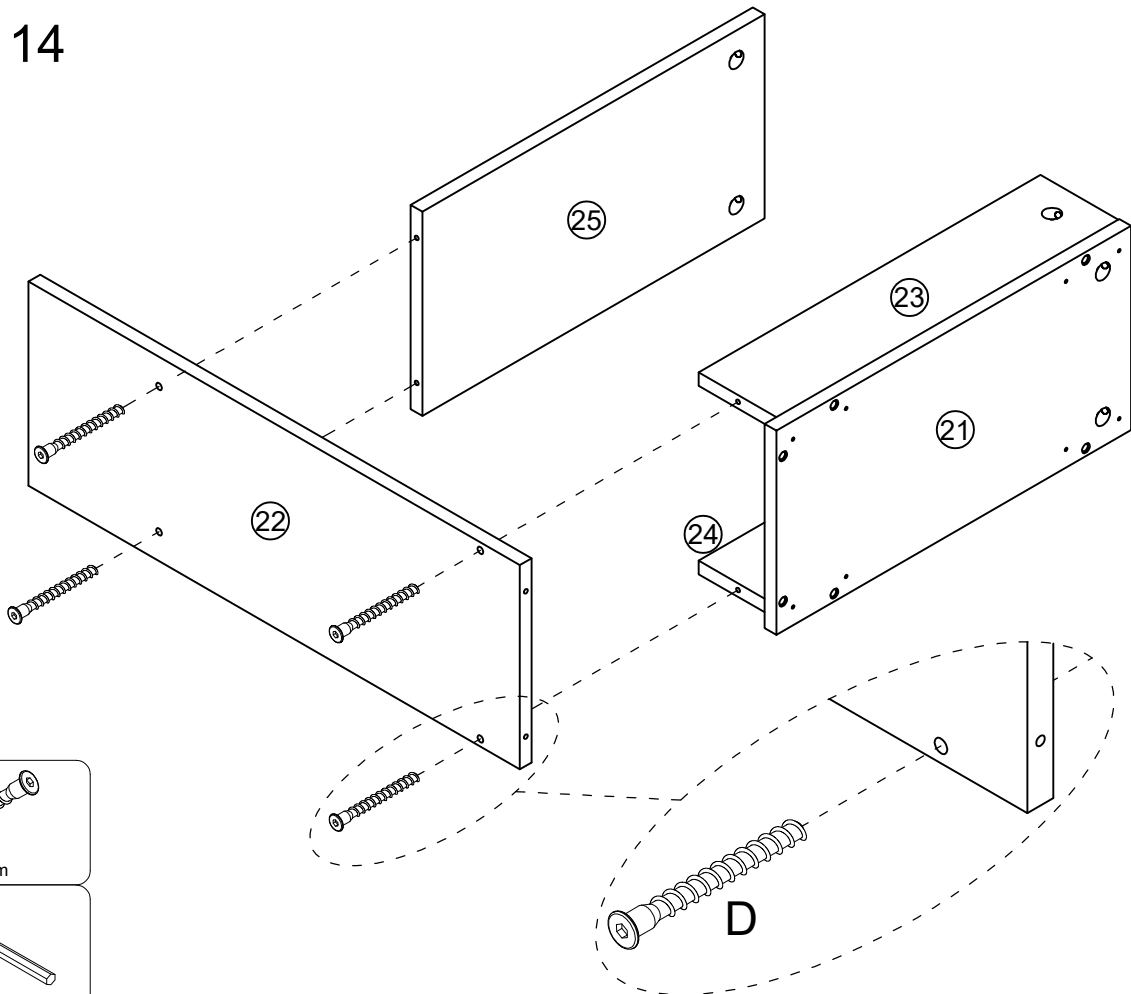
INSTALLATION INSTRUCTION

STEP 13



- C x 4
Ø6x30mm
- D x 4
Ø5x38mm
- Z x 1
3mm

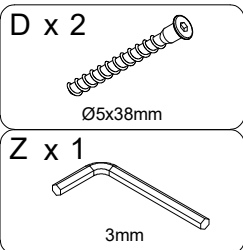
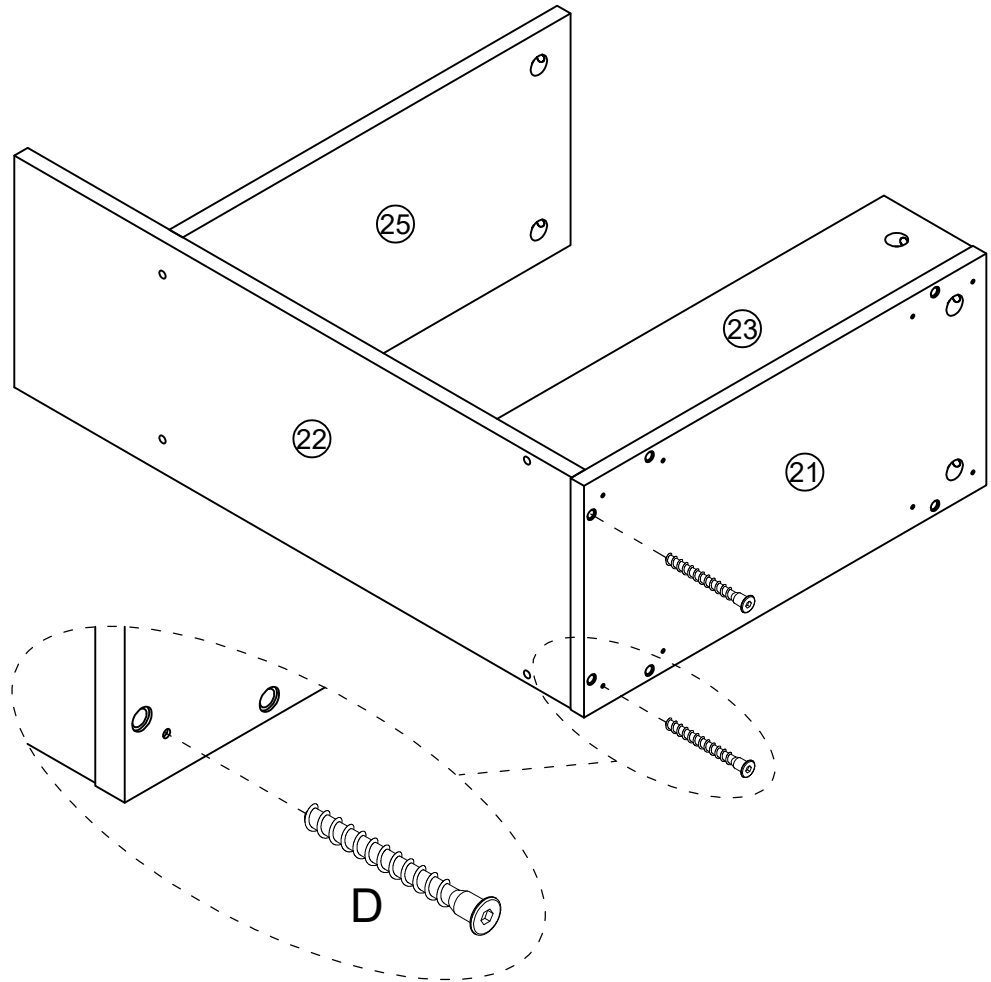
STEP 14



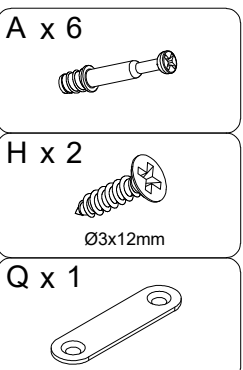
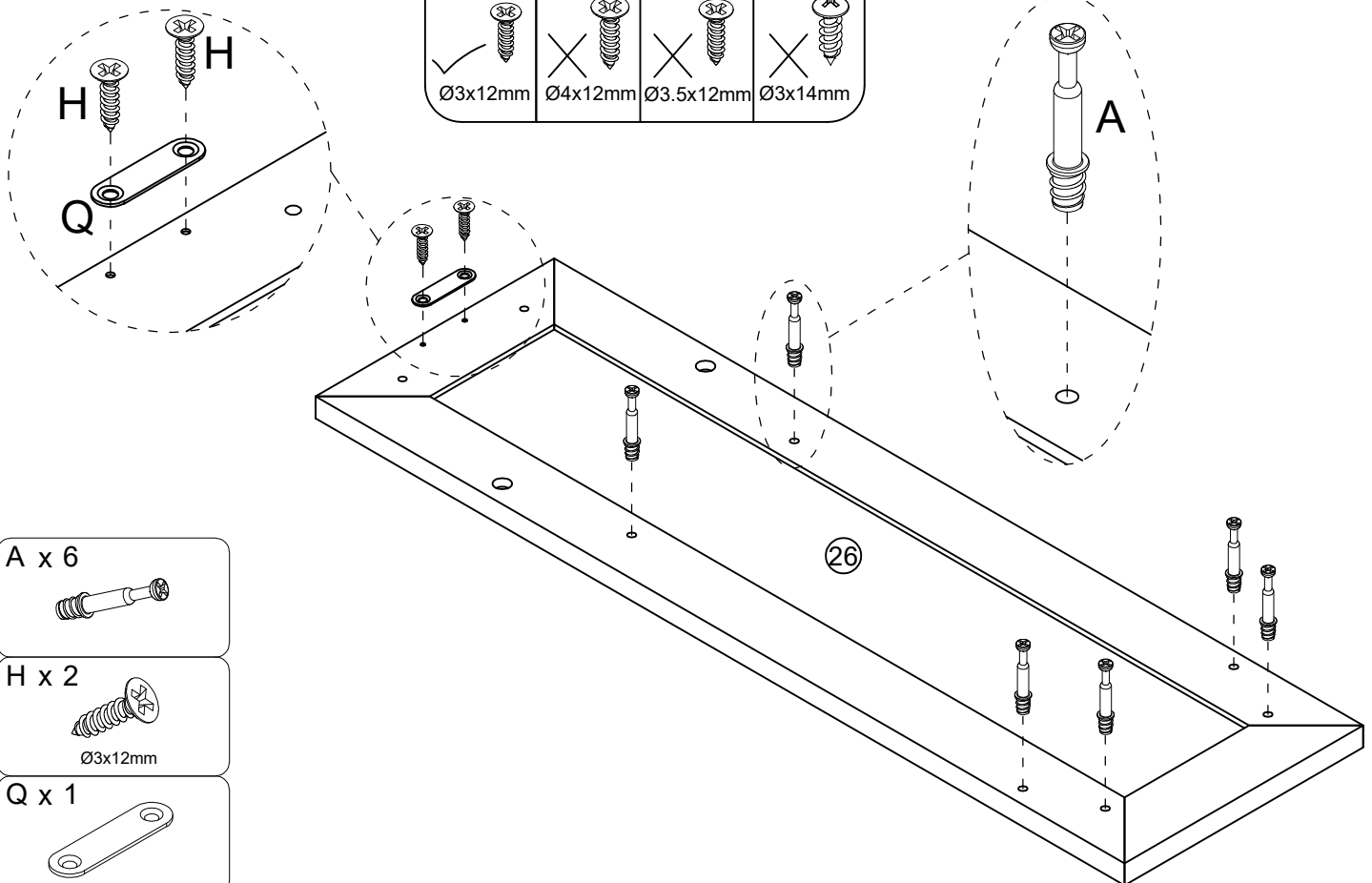
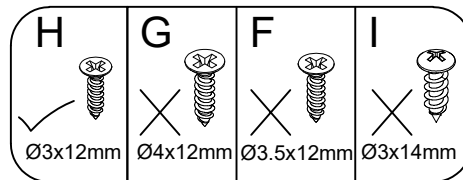
- D x 4
Ø5x38mm
- Z x 1
3mm

INSTALLATION INSTRUCTION

STEP 15

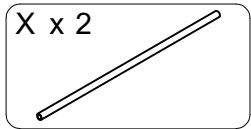
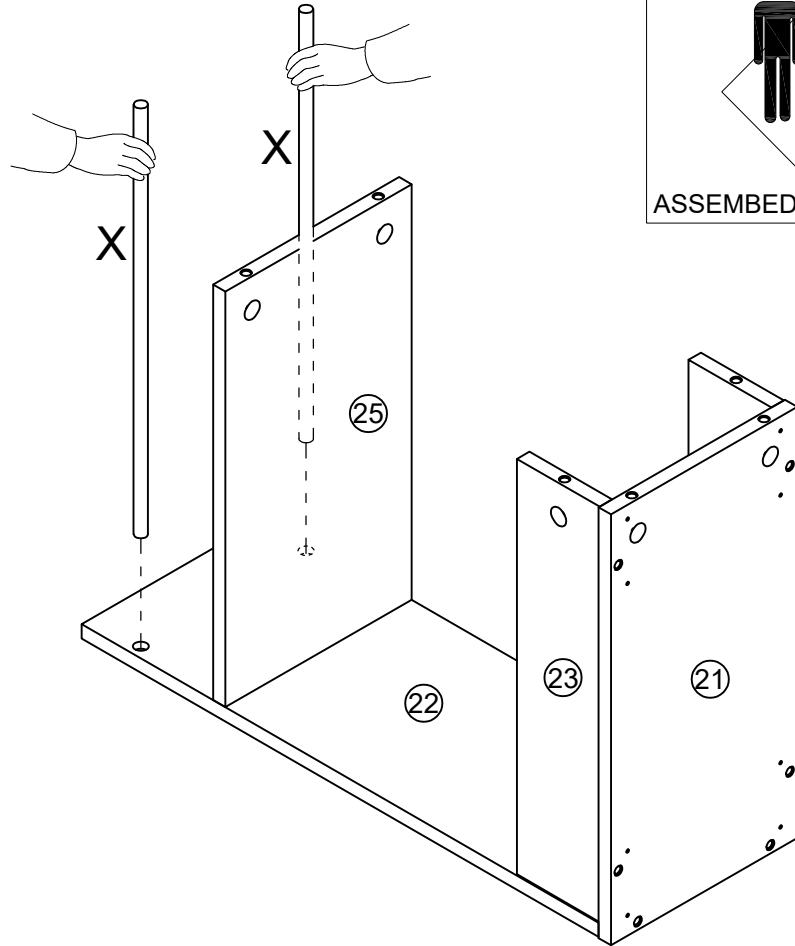
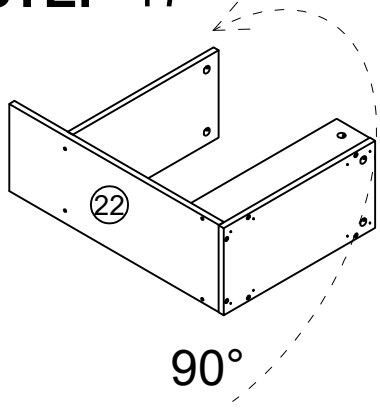


STEP 16

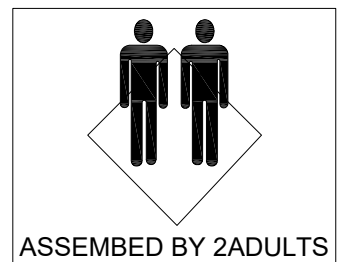
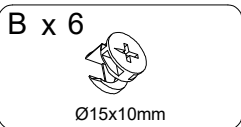
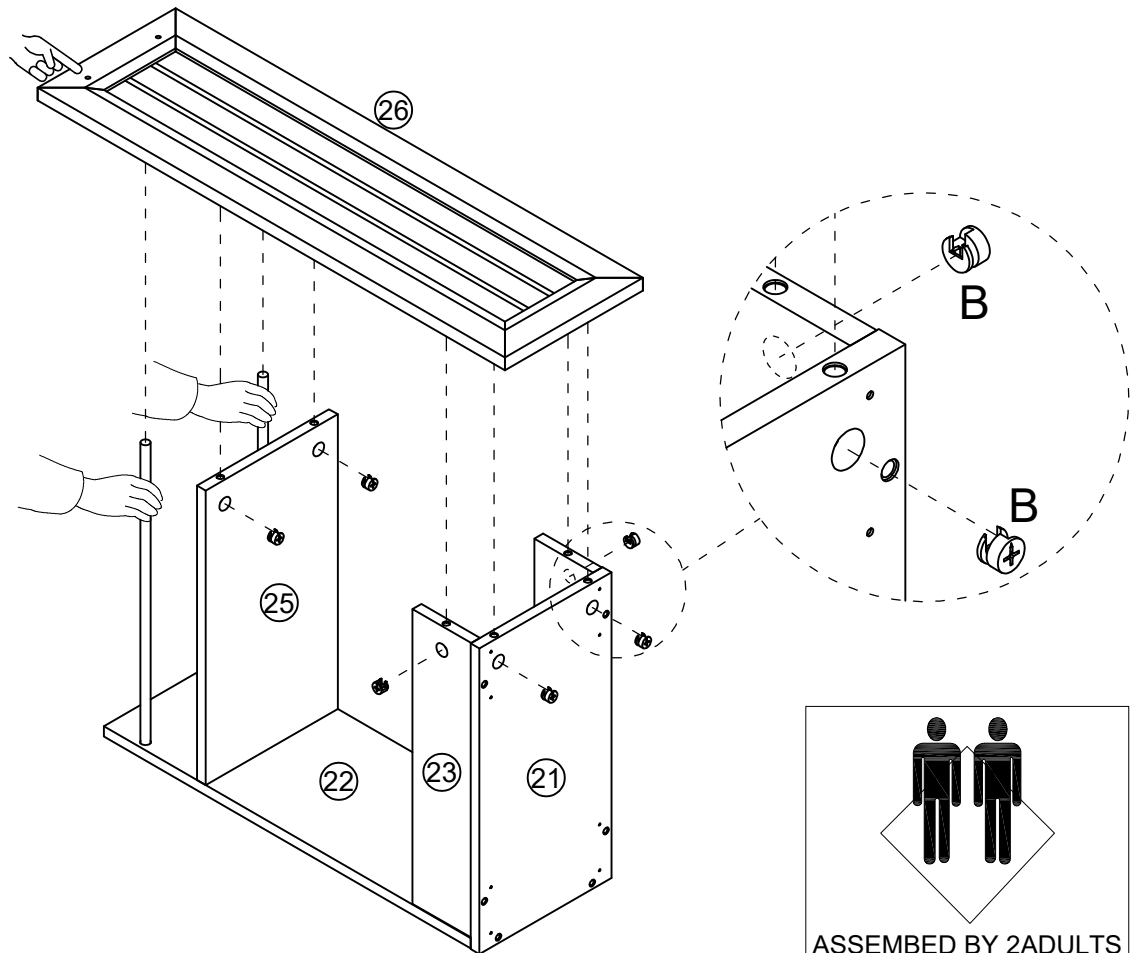


INSTALLATION INSTRUCTION

STEP 17

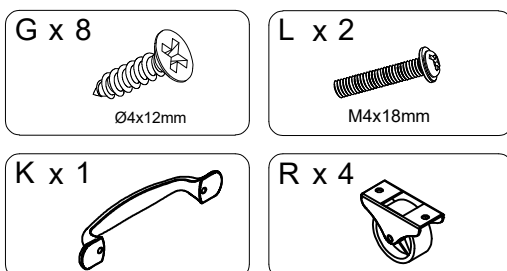
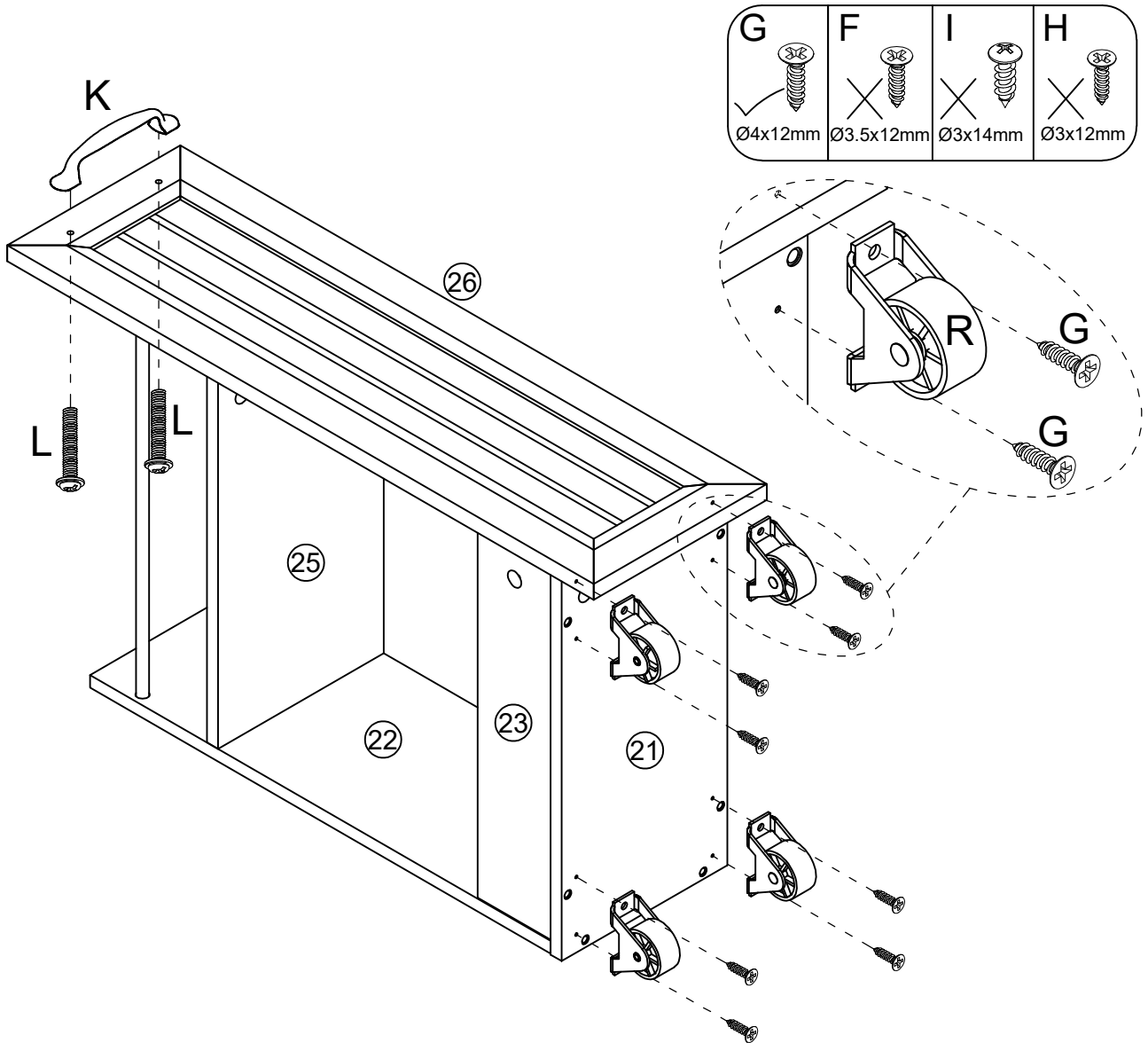


STEP 18



INSTALLATION INSTRUCTION

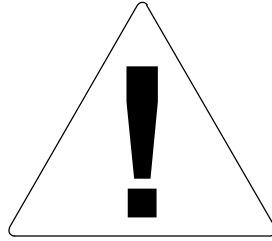
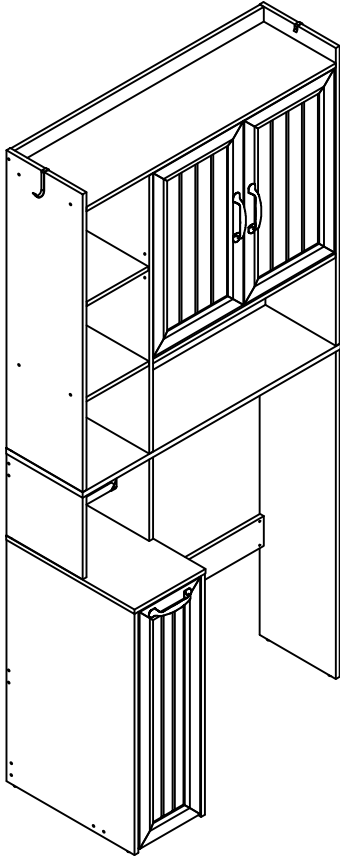
STEP 19



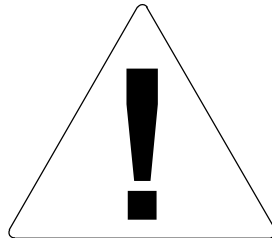
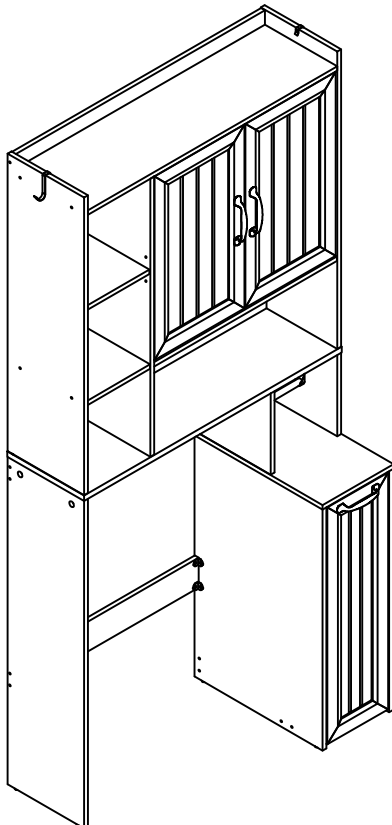
INSTALLATION INSTRUCTION

STEP 20

This product comes in two shapes, please choose according to your own needs. Before installation, please flip to the corresponding steps for installation.



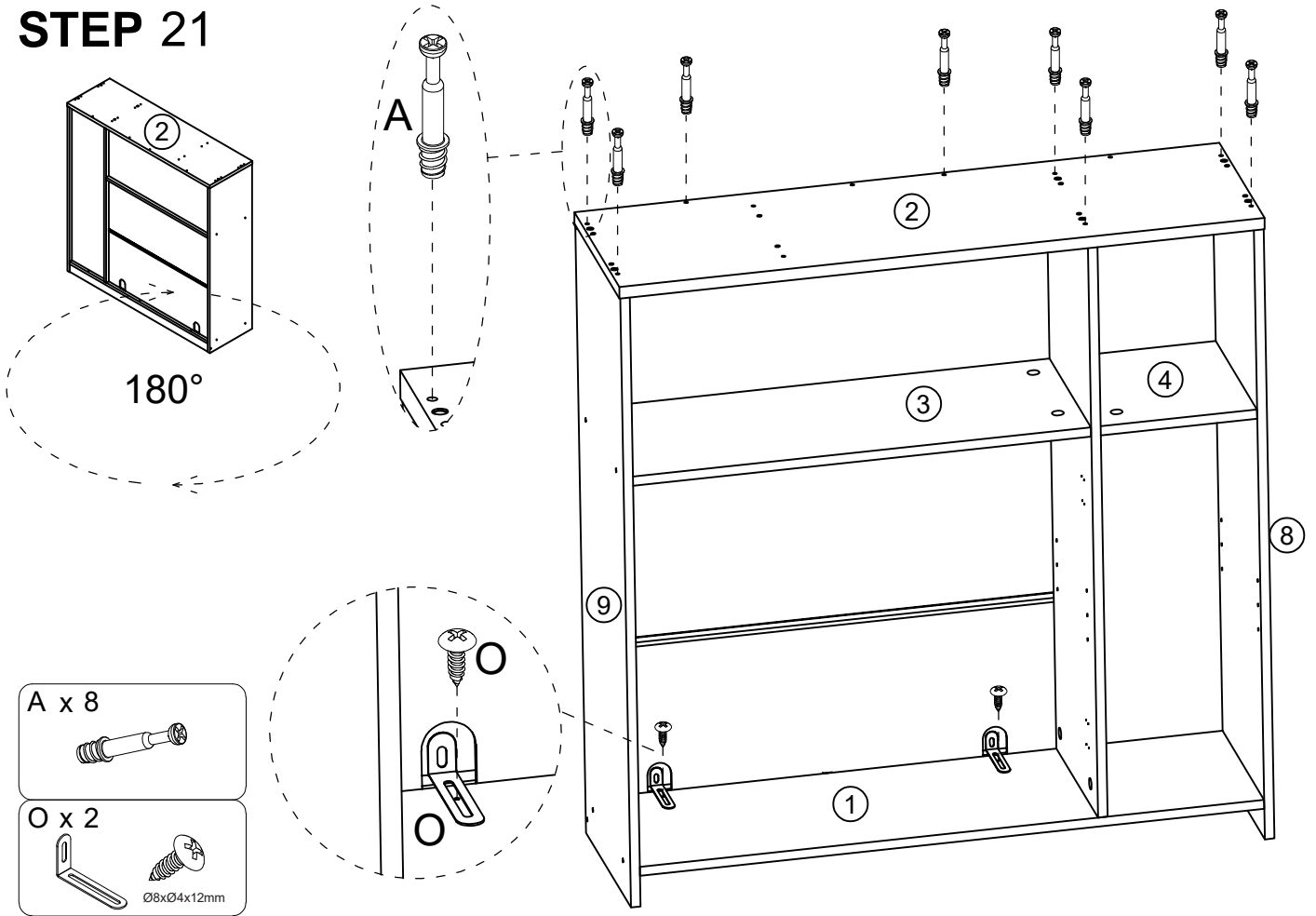
Please refer to steps 21 to 43 for the installation process of the current product.



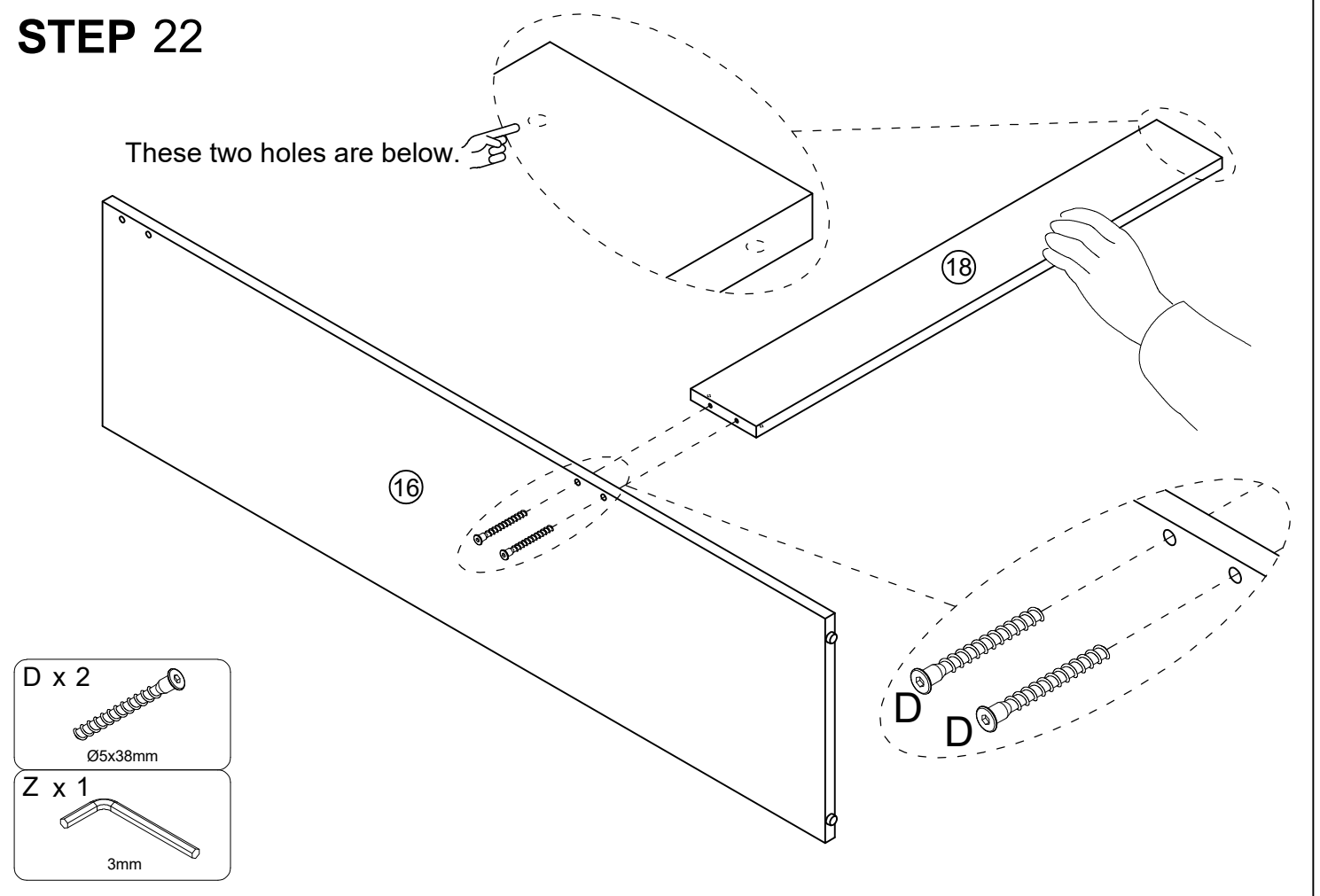
Please refer to steps 44 to 66 for the installation process of the current product.

INSTALLATION INSTRUCTION

STEP 21

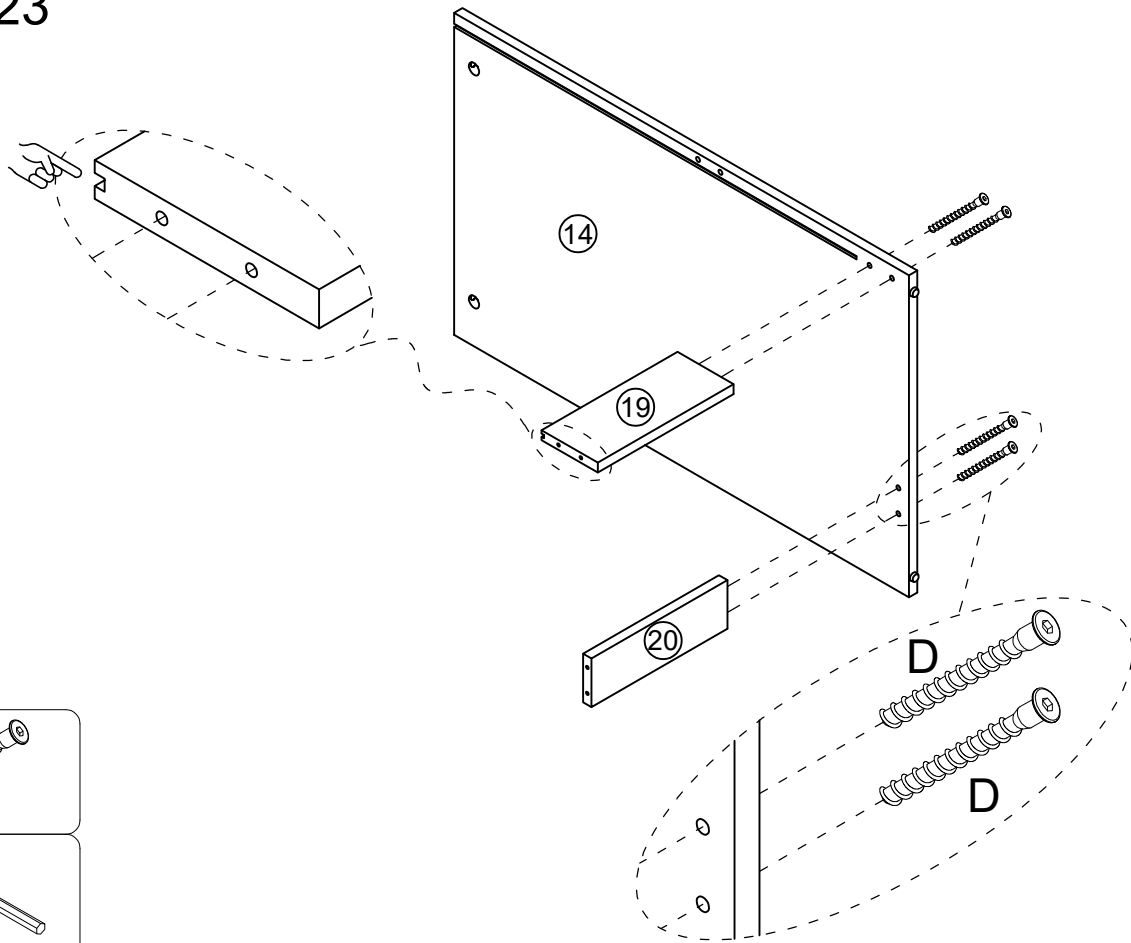


STEP 22



INSTALLATION INSTRUCTION

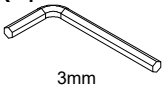
STEP 23



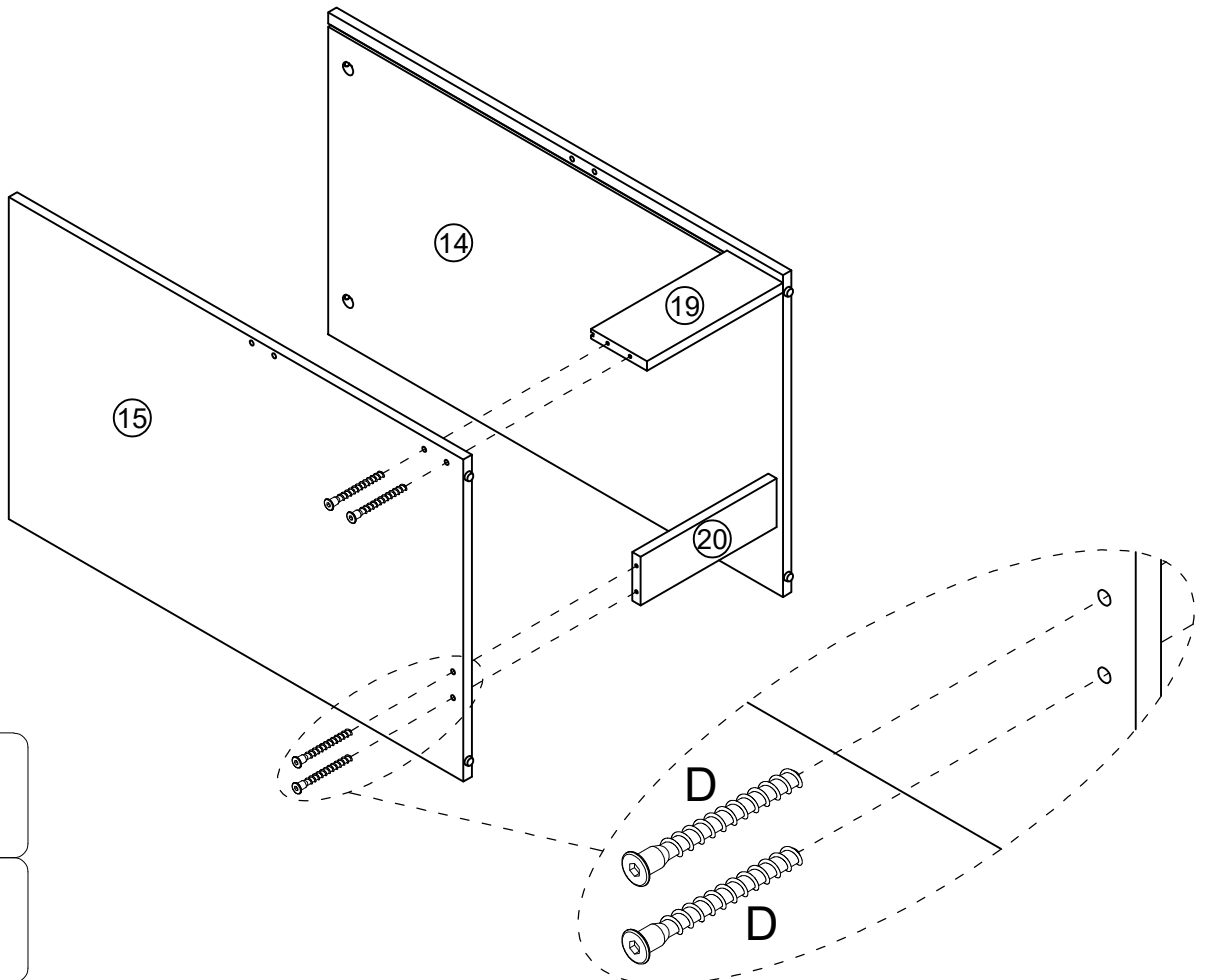
D x 4



Z x 1



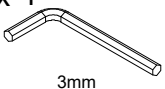
STEP 24



D x 4

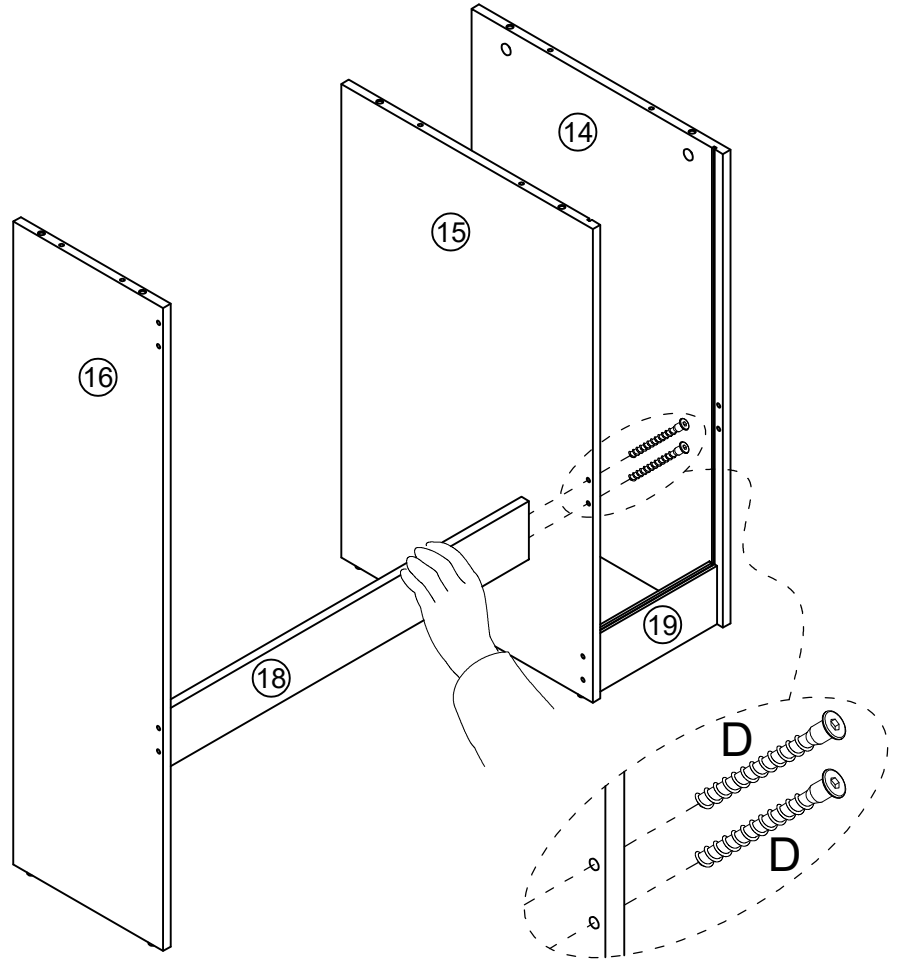
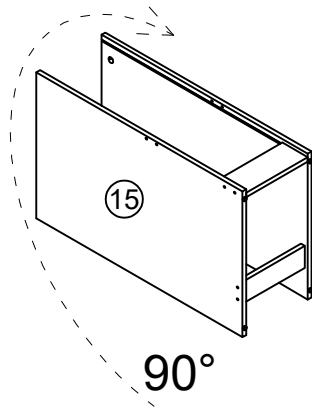


Z x 1



INSTALLATION INSTRUCTION

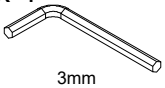
STEP 25



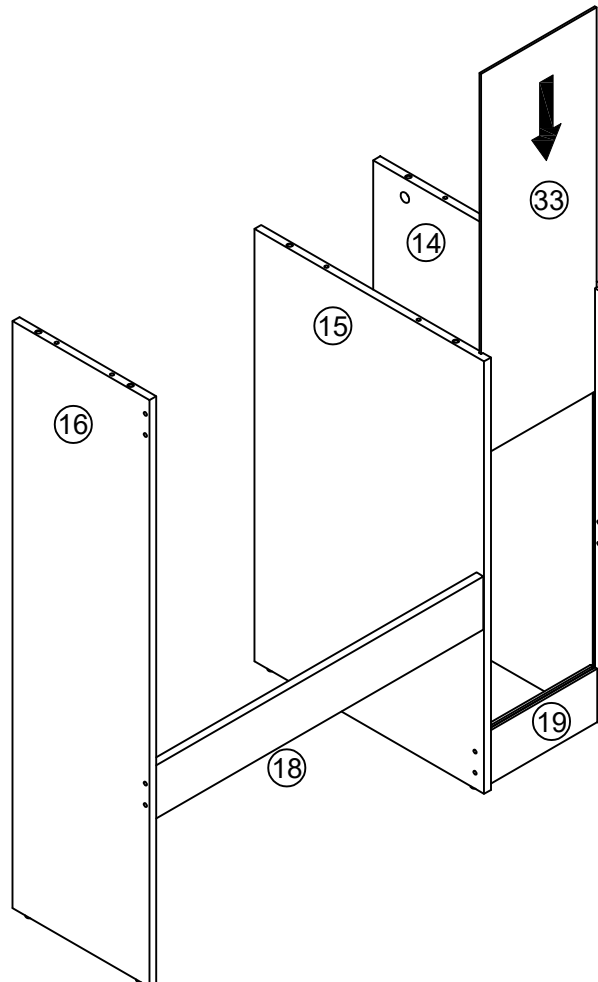
D x 2



Z x 1



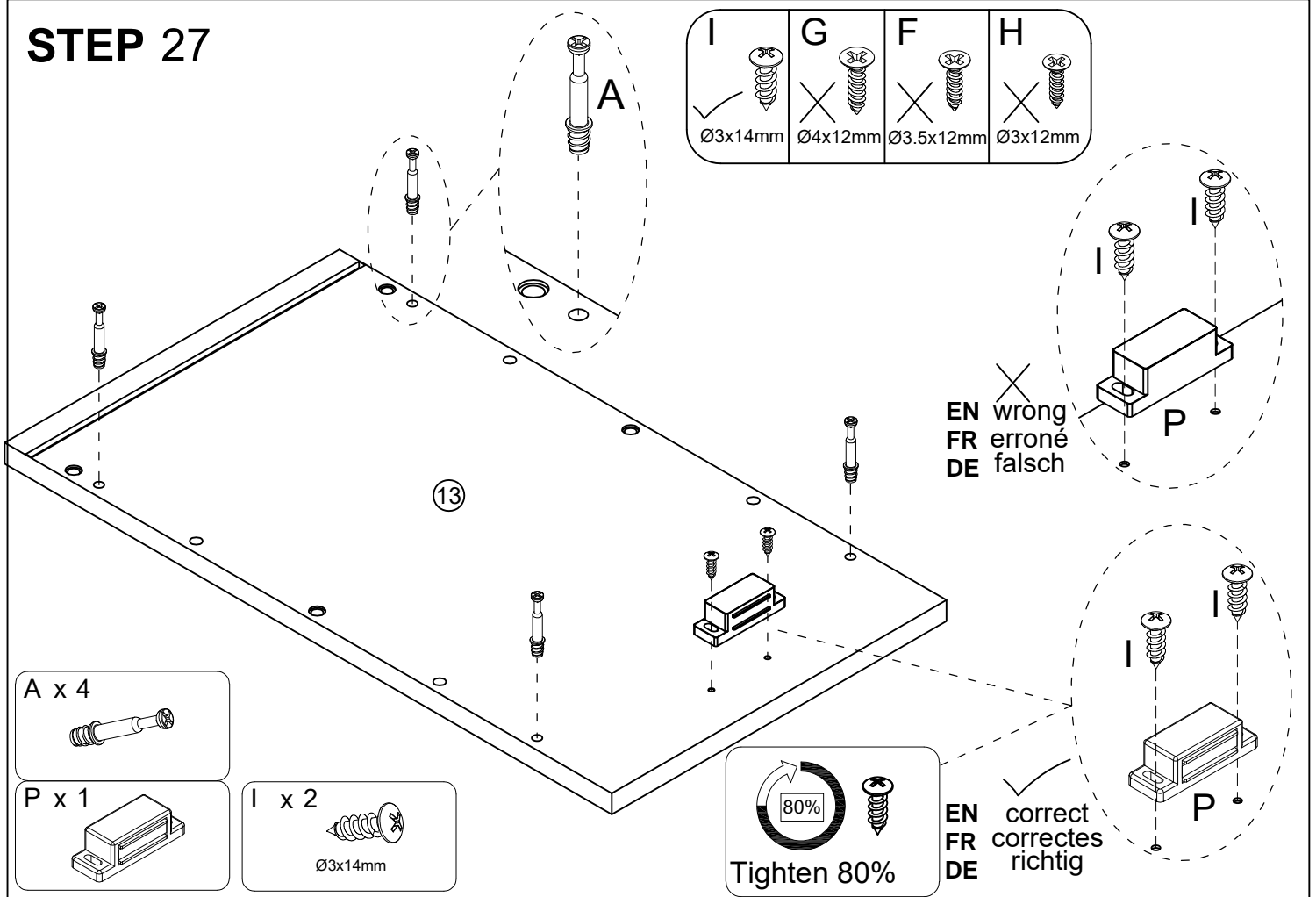
STEP 26



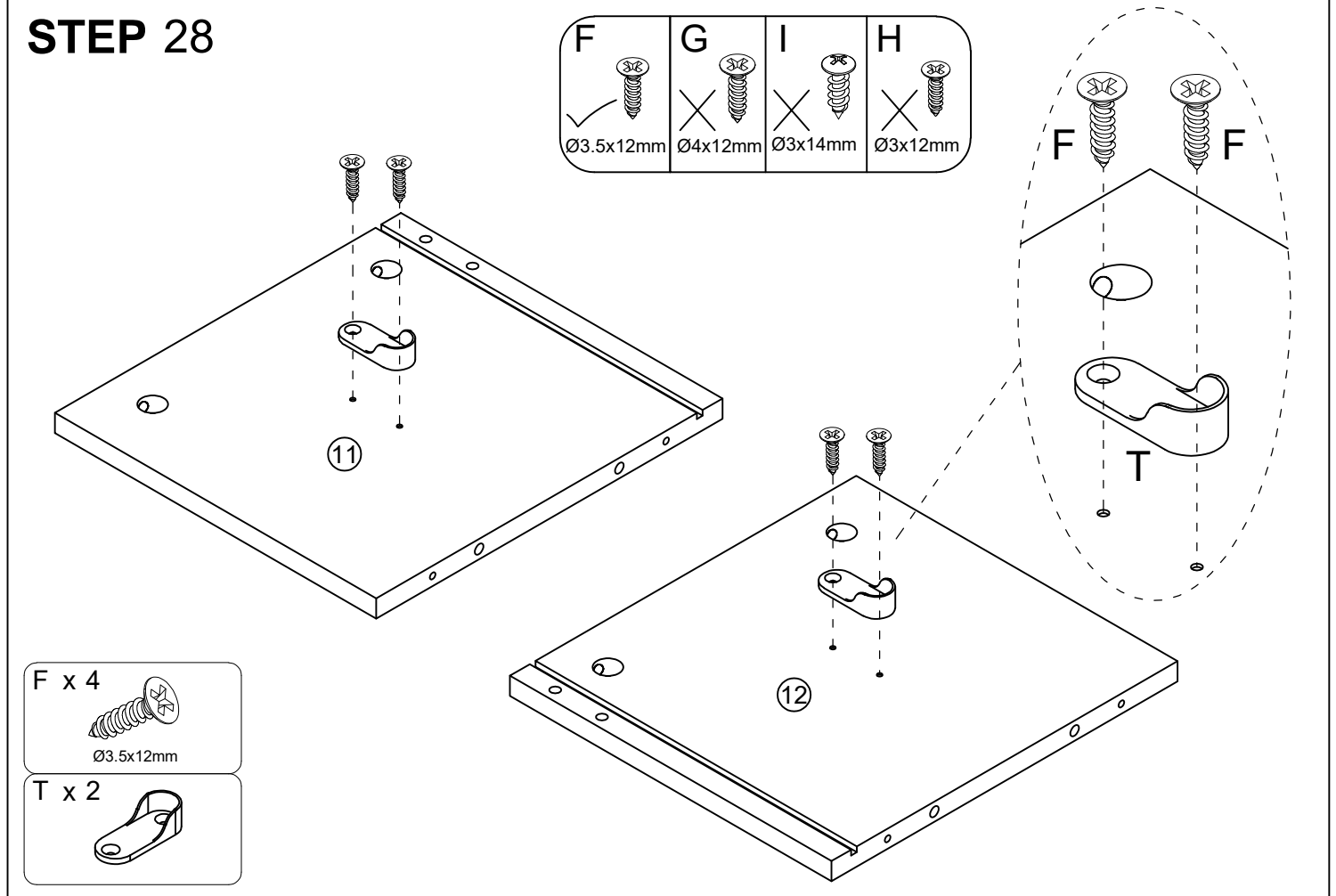
The thin plate needs to be fully inserted into the groove. If the insertion is not smooth, you can try pressing from the front or the back to make adjustments until the thin plate is fully inserted into the groove.

INSTALLATION INSTRUCTION

STEP 27

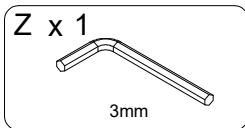
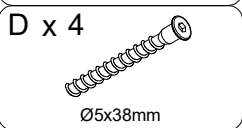
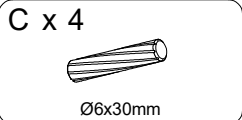
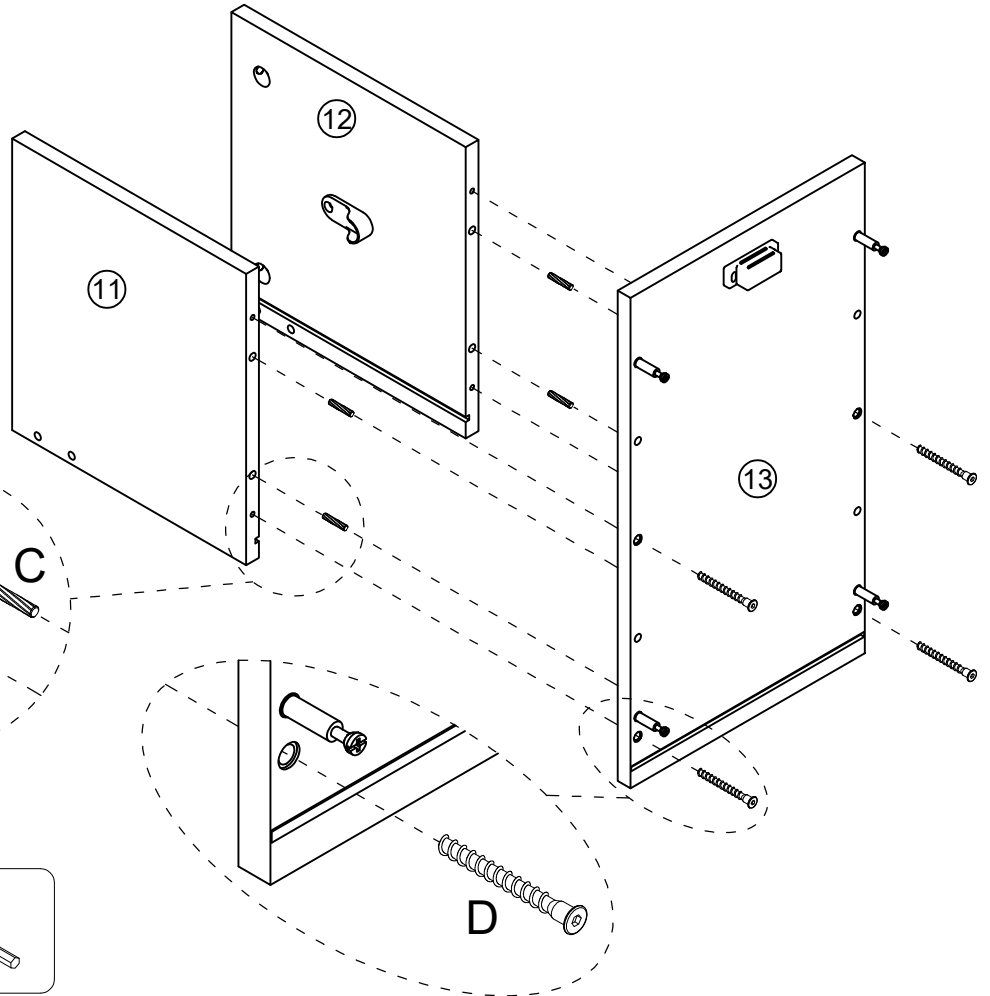


STEP 28

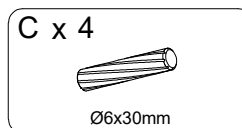
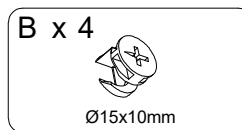
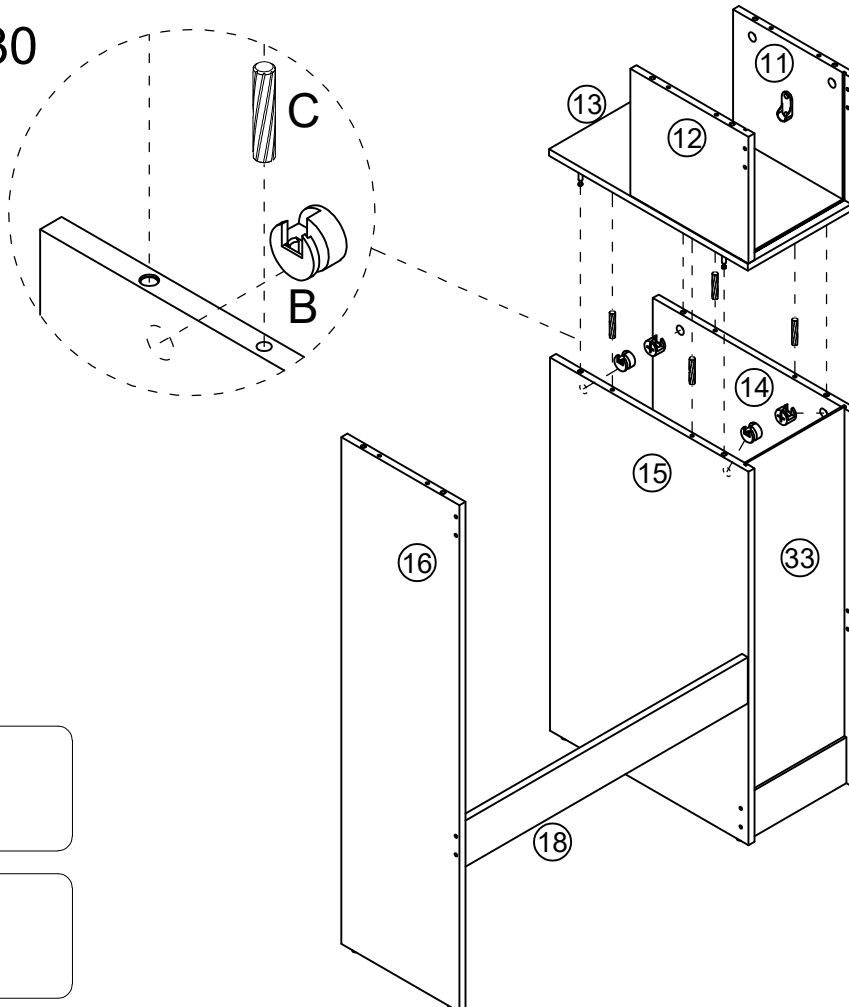


INSTALLATION INSTRUCTION

STEP 29



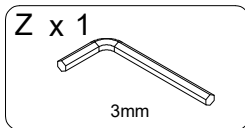
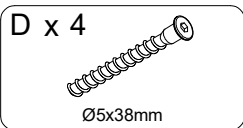
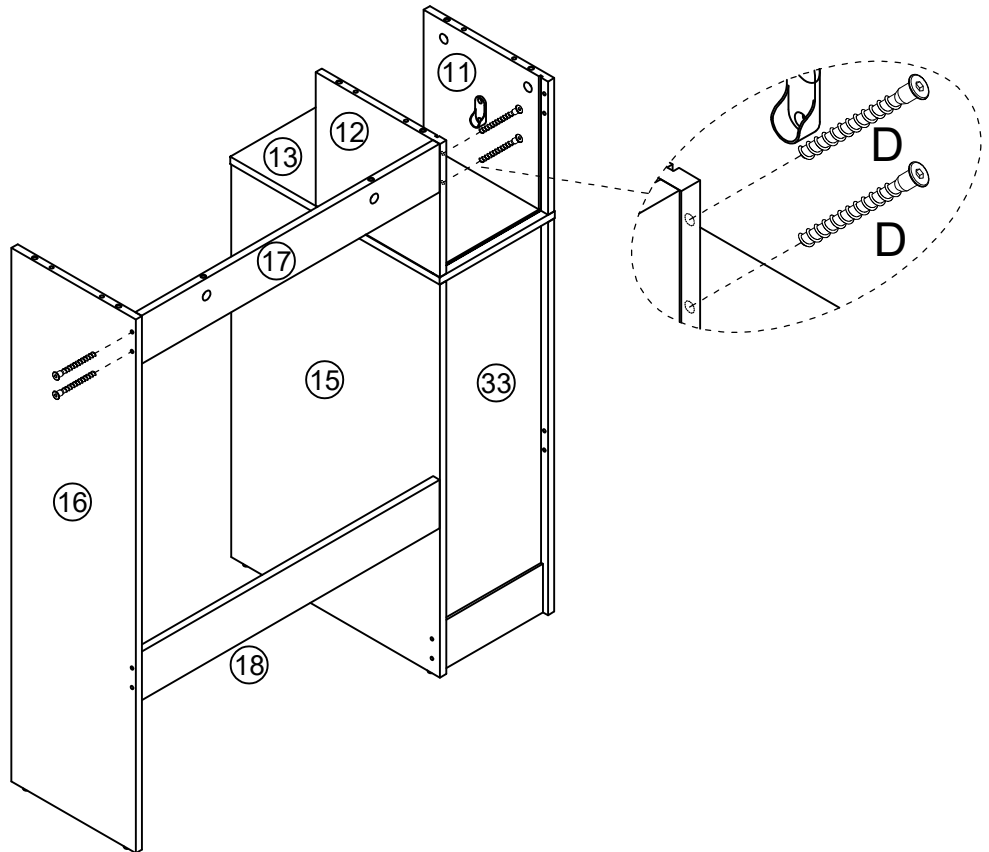
STEP 30



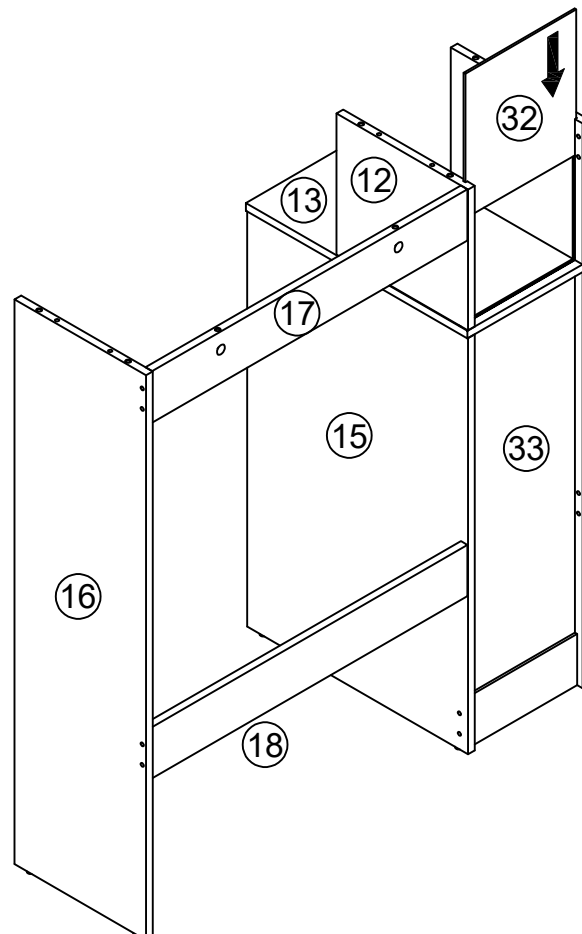
The thin plate needs to be fully inserted into the groove. If the insertion is not smooth, you can try pressing from the front or the back to make adjustments until the thin plate is fully inserted into the groove.

INSTALLATION INSTRUCTION

STEP 31



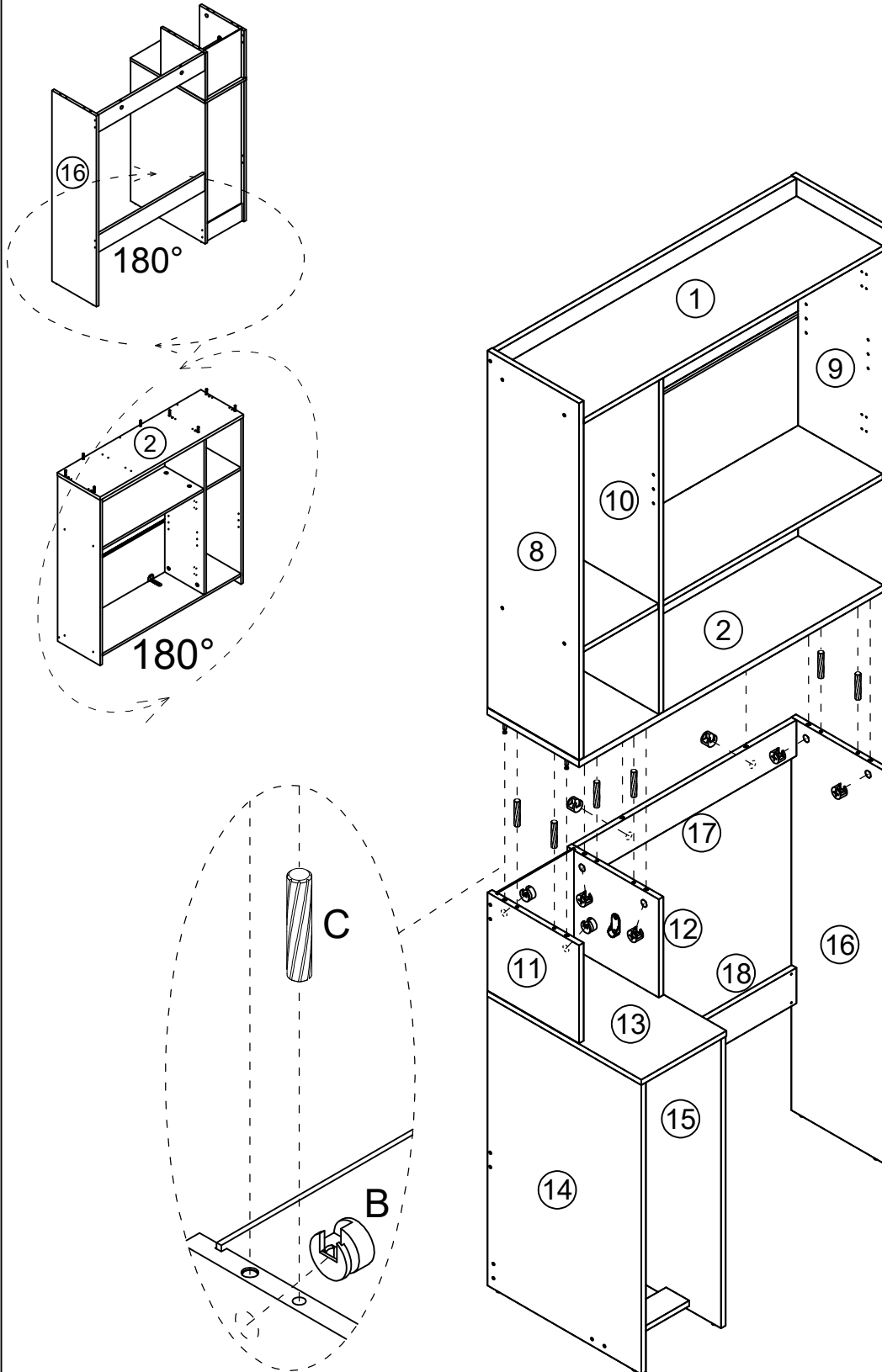
STEP 32



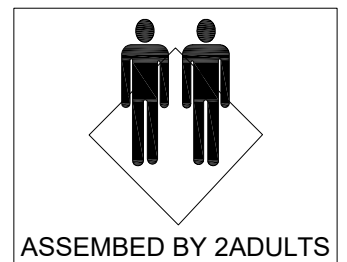
The thin plate needs to be fully inserted into the groove. If the insertion is not smooth, you can try pressing from the front or the back to make adjustments until the thin plate is fully inserted into the groove.

INSTALLATION INSTRUCTION

STEP 33



The thin plate needs to be fully inserted into the groove. If the insertion is not smooth, you can try pressing from the front or the back to make adjustments until the thin plate is fully inserted into the groove.



B x 8



Ø15x10mm

C x 6

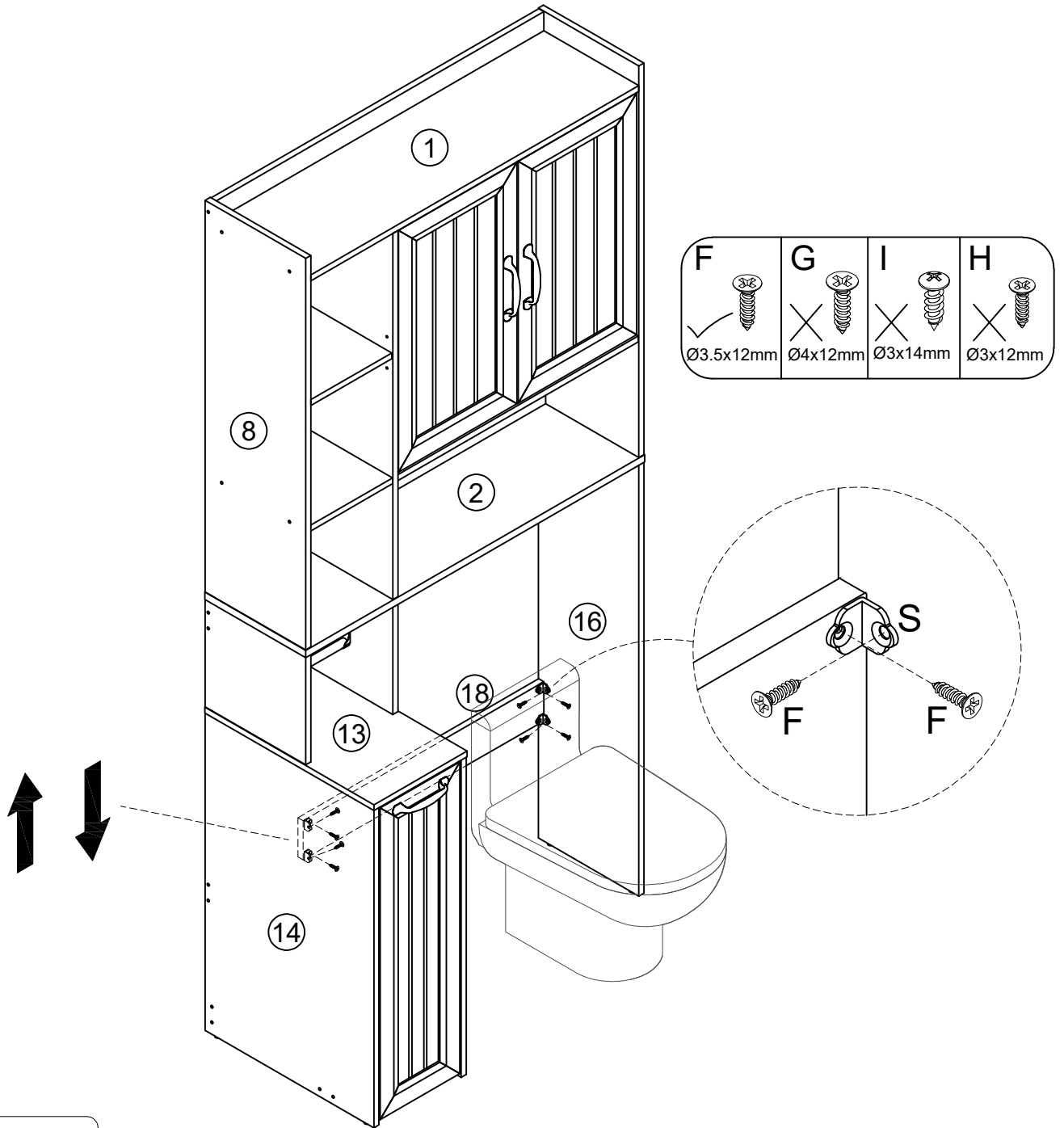



Ø6x30mm


INSTALLATION INSTRUCTION

STEP 34

Please check if the product can be used smoothly first
Put it behind the toilet. If not, please remove board # 18,
Place the product behind the small bottle and reinstall
component S&# 18 board.

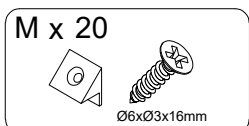
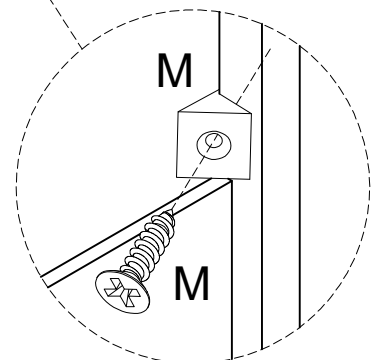
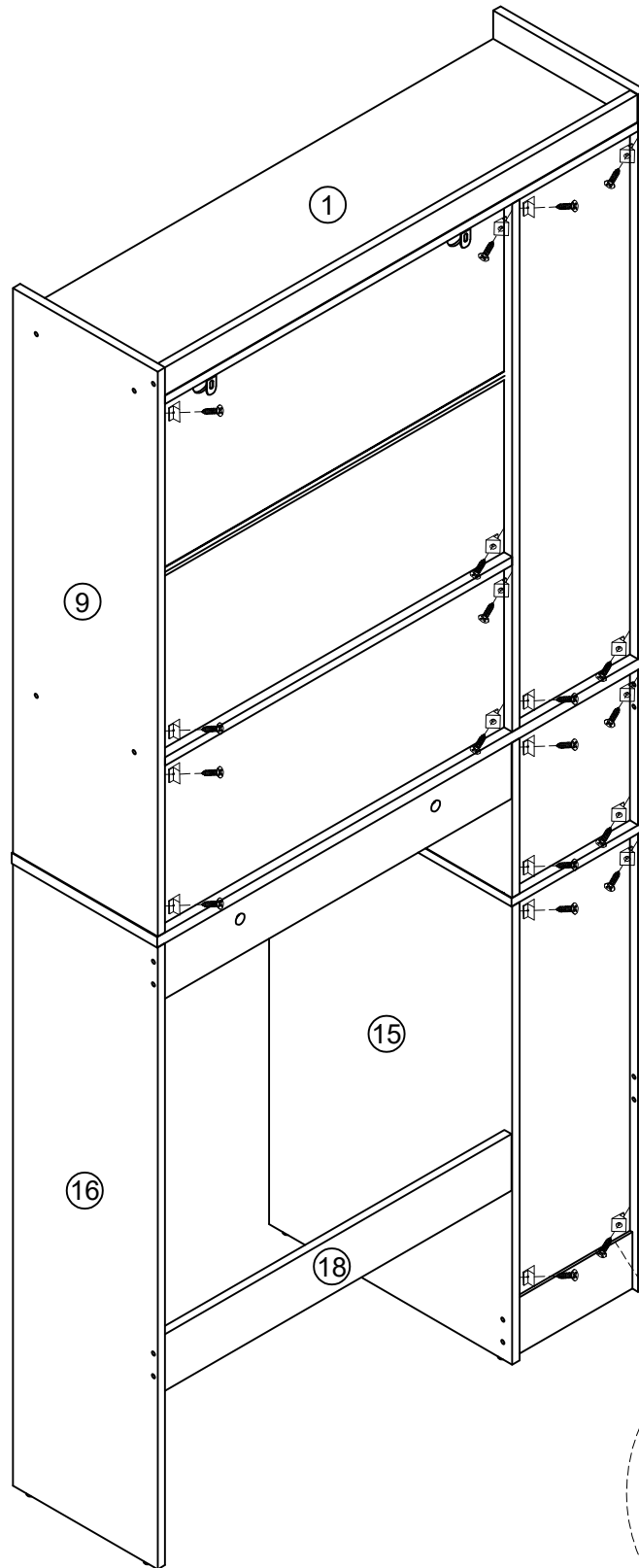
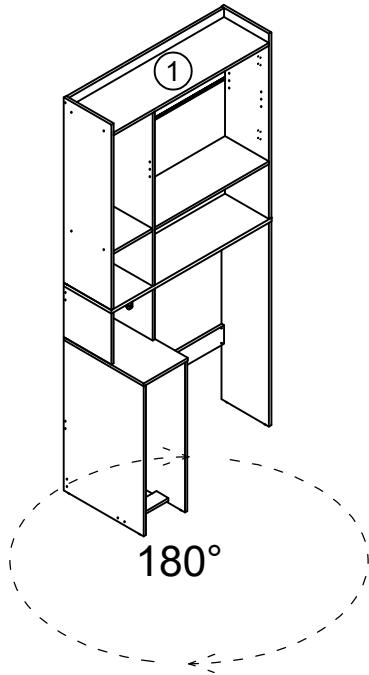


F x 8

Ø3.5x12mm

S x 4


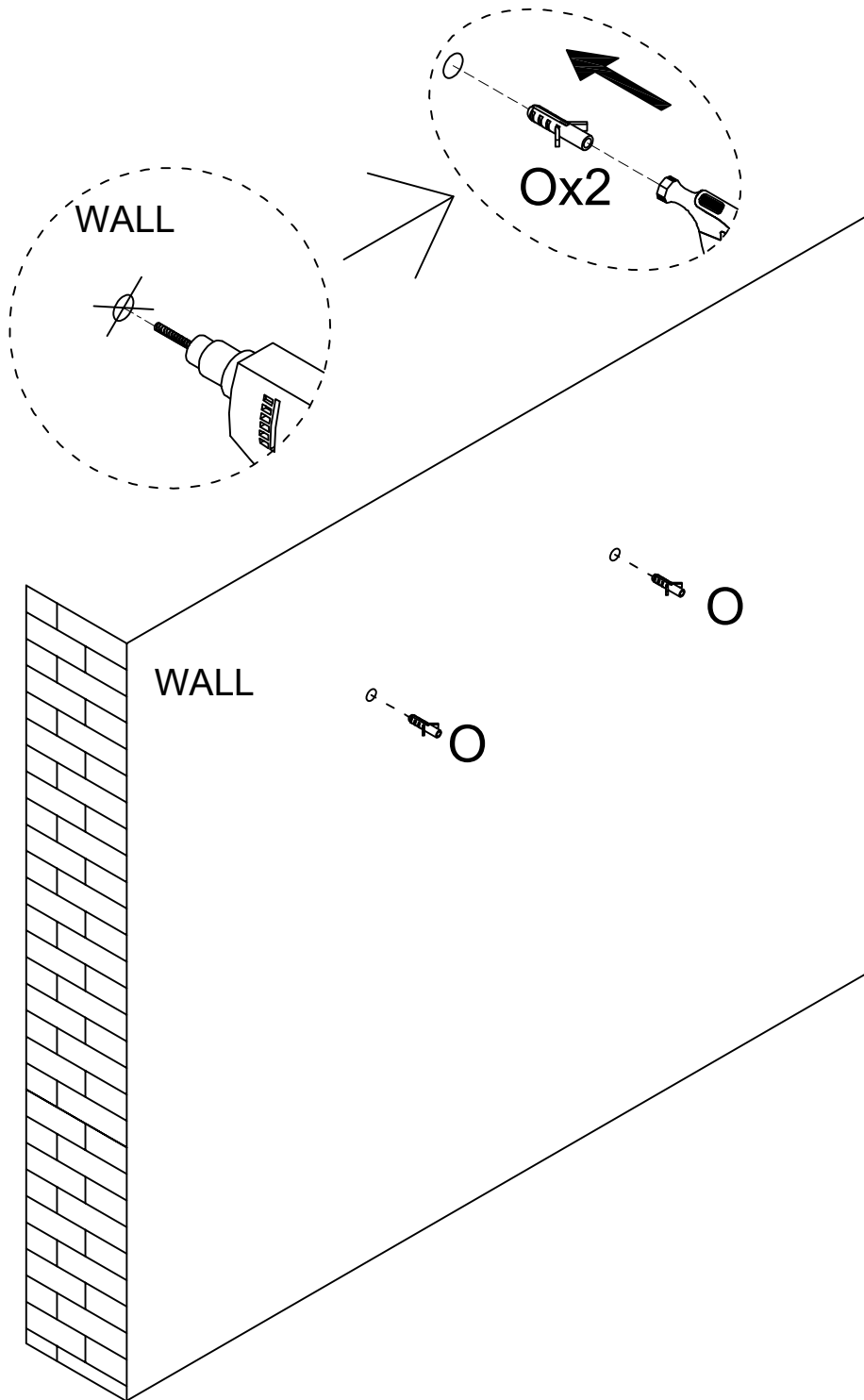
INSTALLATION INSTRUCTION

STEP 35

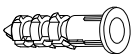


INSTALLATION INSTRUCTION

STEP 36



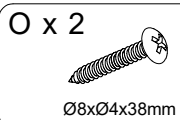
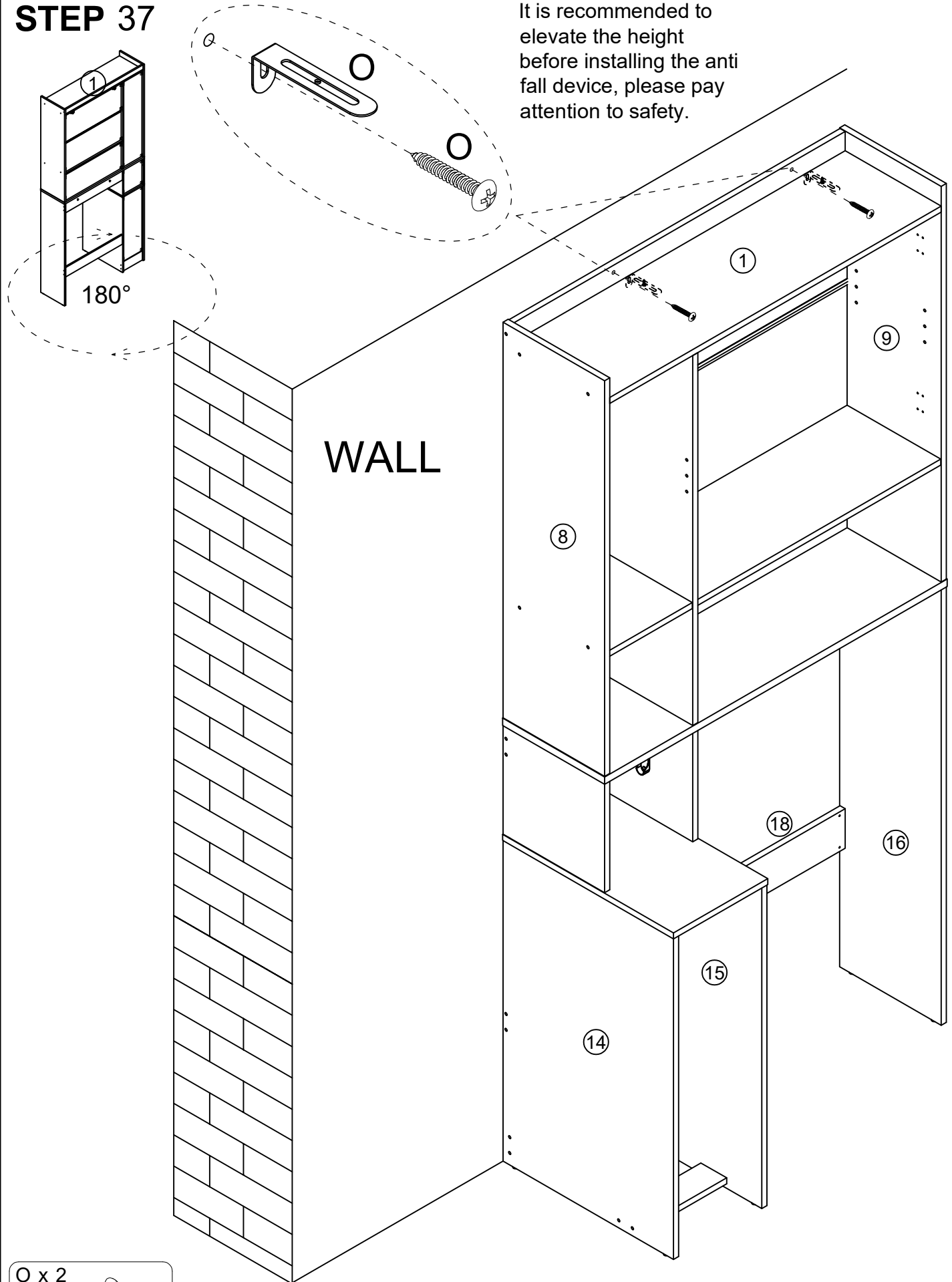
O x 2



INSTALLATION INSTRUCTION

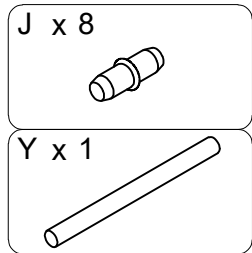
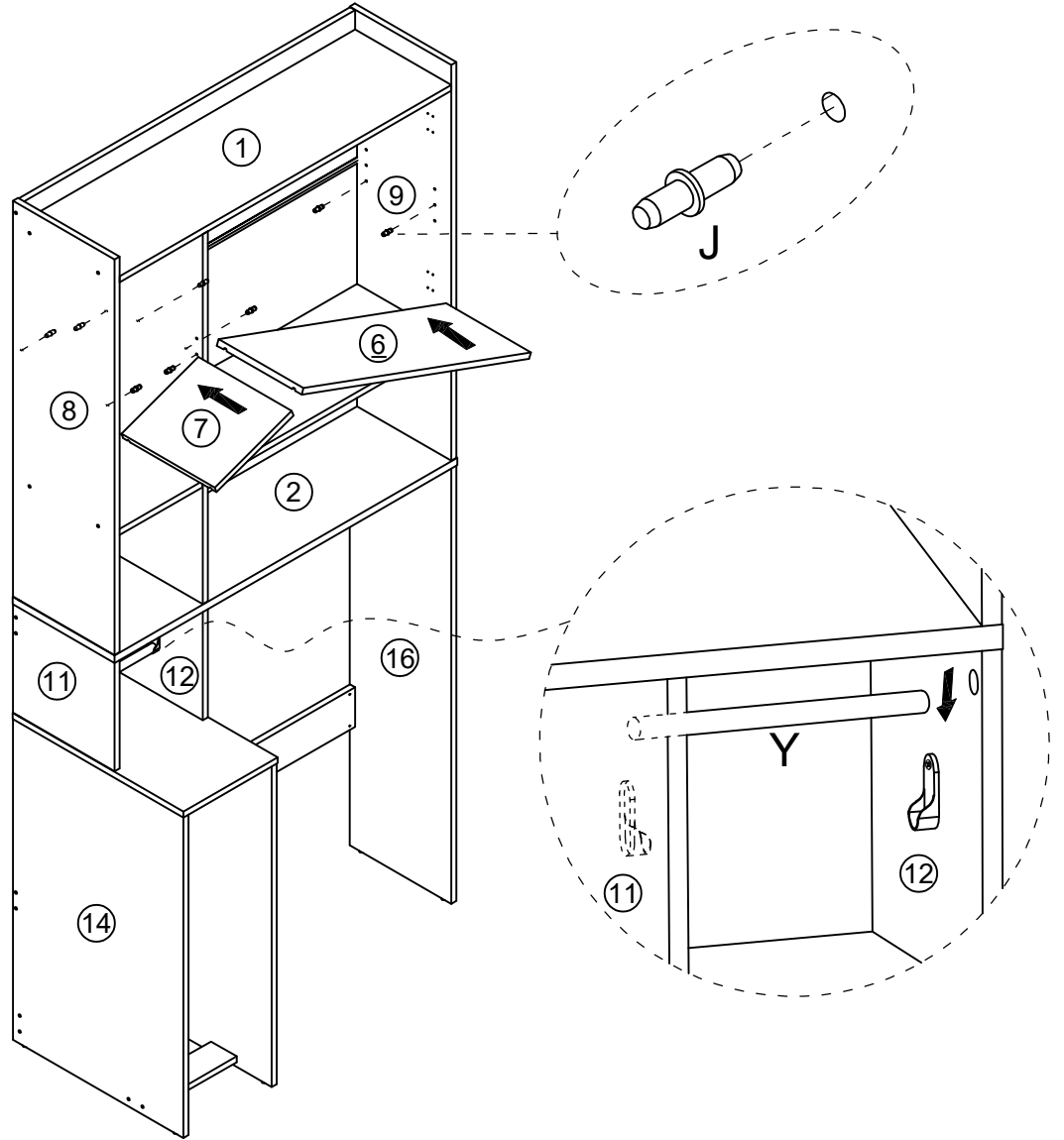
STEP 37

It is recommended to elevate the height before installing the anti fall device, please pay attention to safety.



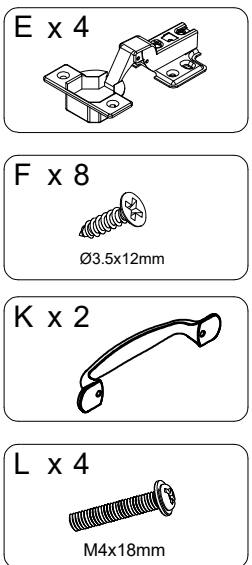
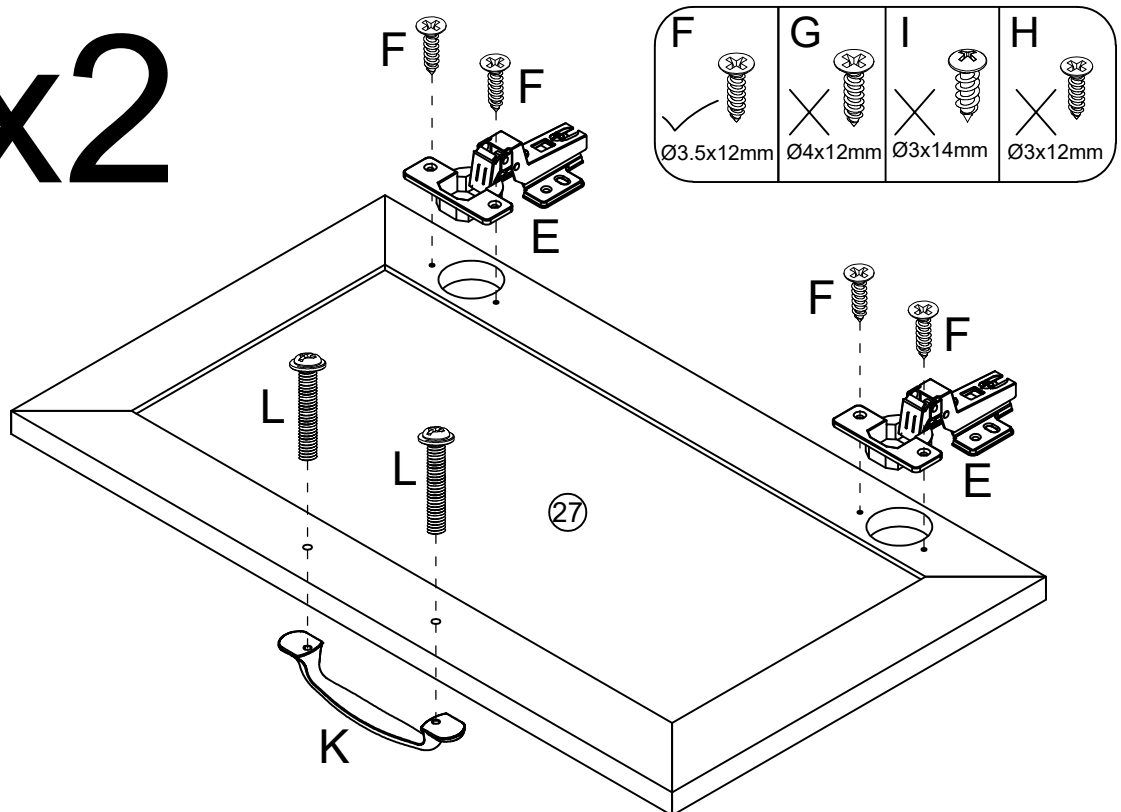
INSTALLATION INSTRUCTION

STEP 38



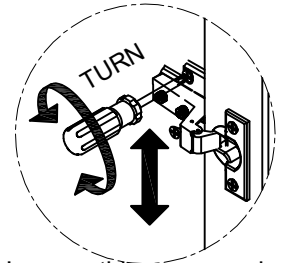
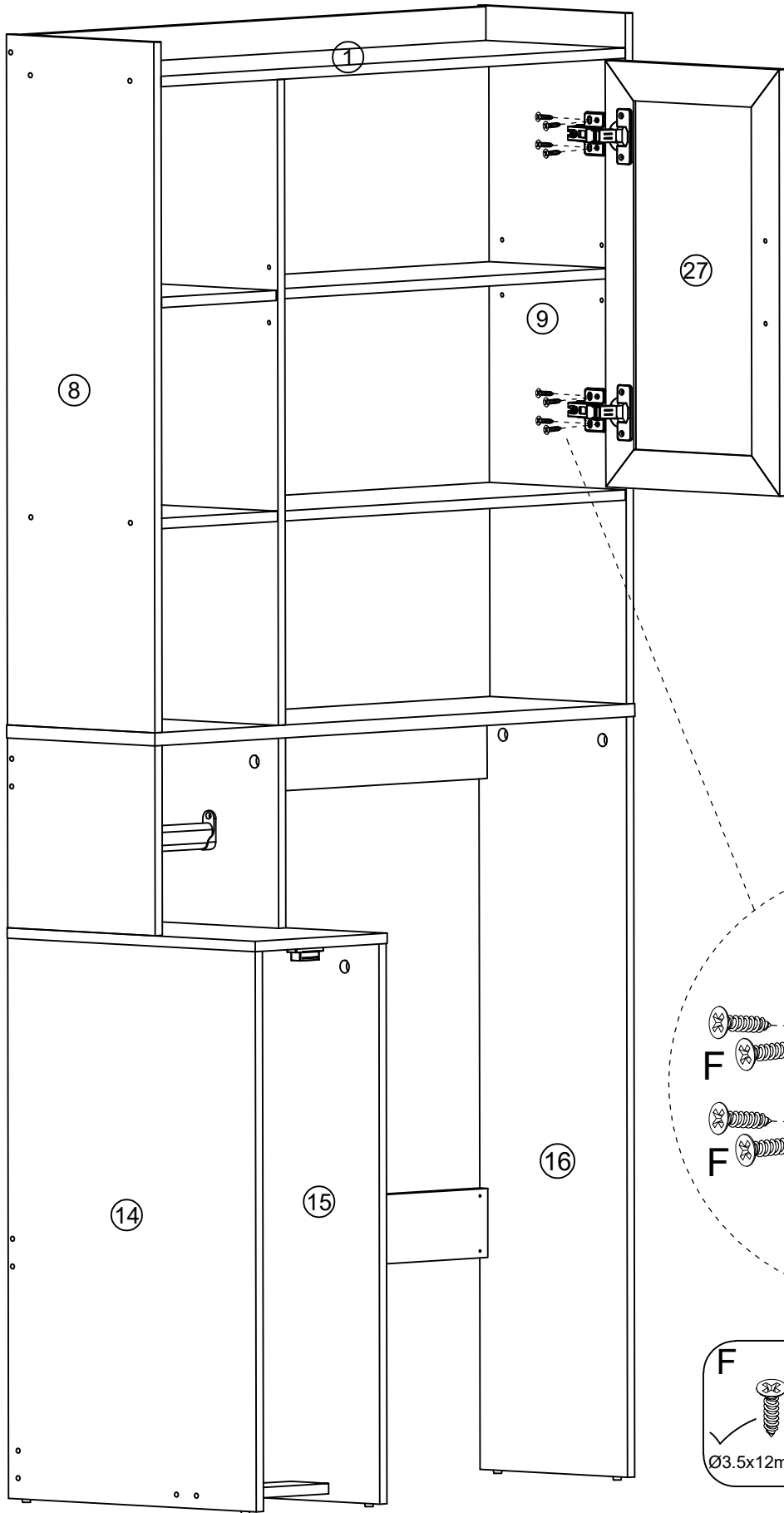
STEP 39

x2

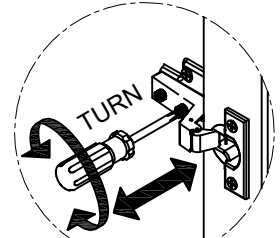


INSTALLATION INSTRUCTION

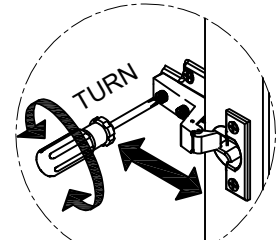
STEP 40



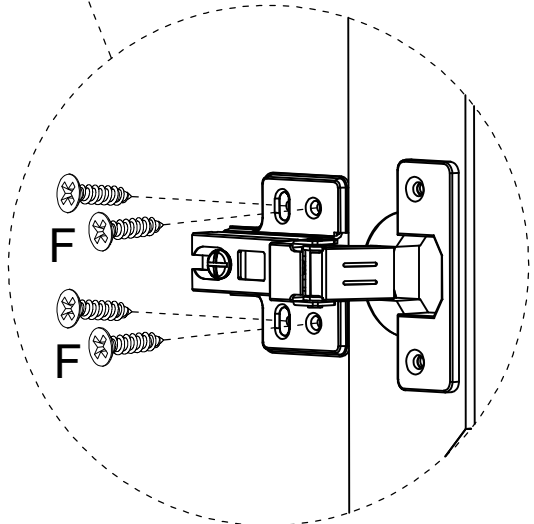
Loosen this screw and push up/down for a slight up-down adjustment of the door.



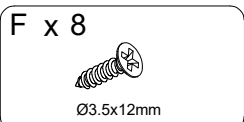
Loosen this screw for a slight left-right adjustment of the door.



Loosen this screw and push forward/backward for a slight front-back adjustment of the door.

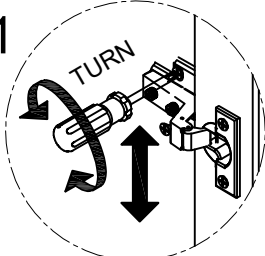


F	G	I	H
Ø3.5x12mm	Ø4x12mm	Ø3x14mm	Ø3x12mm

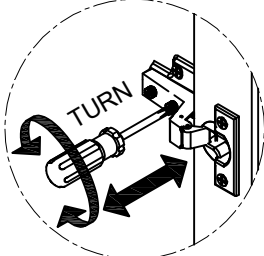


INSTALLATION INSTRUCTION

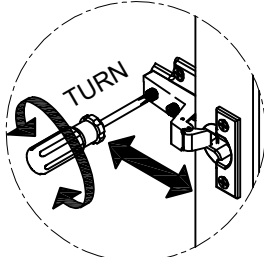
STEP 41



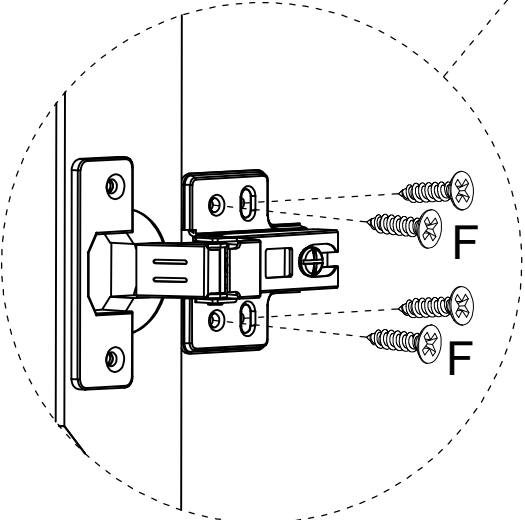
Loosen this screw and push up/down for a slight up-down adjustment of the door.



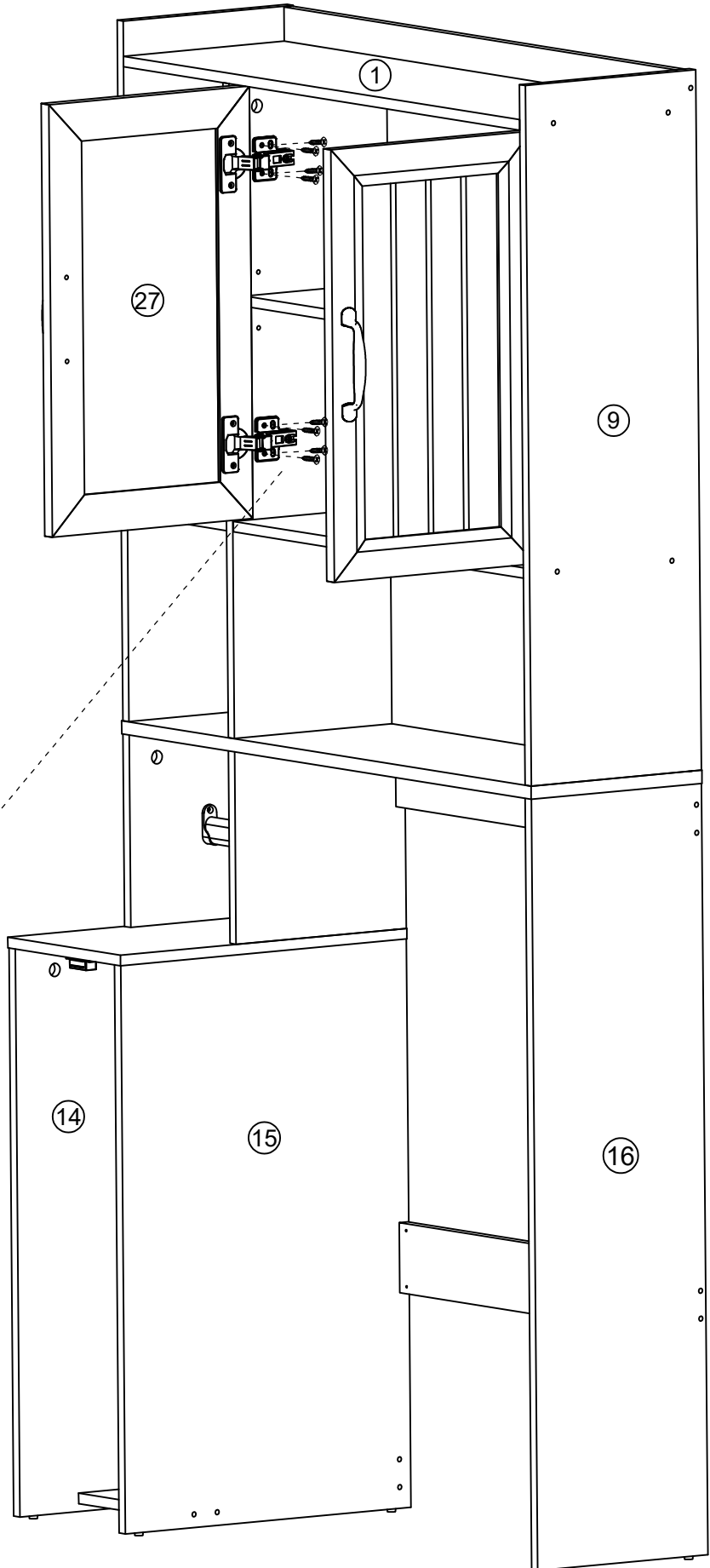
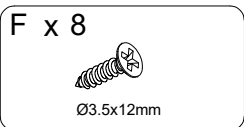
Loosen this screw for a slight left-right adjustment of the door.



Loosen this screw and push forward/backward for a slight front-back adjustment of the door.

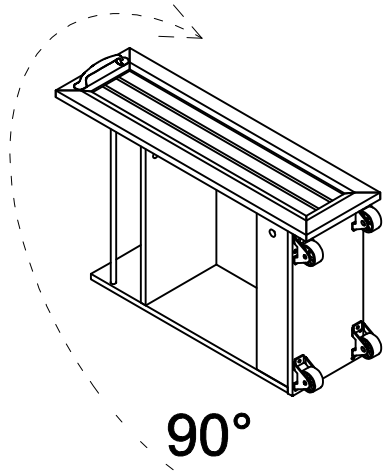


F ✓ Ø3.5x12mm	G ✗ Ø4x12mm	I ✗ Ø3x14mm	H ✗ Ø3x12mm
----------------------------	--------------------------	--------------------------	--------------------------



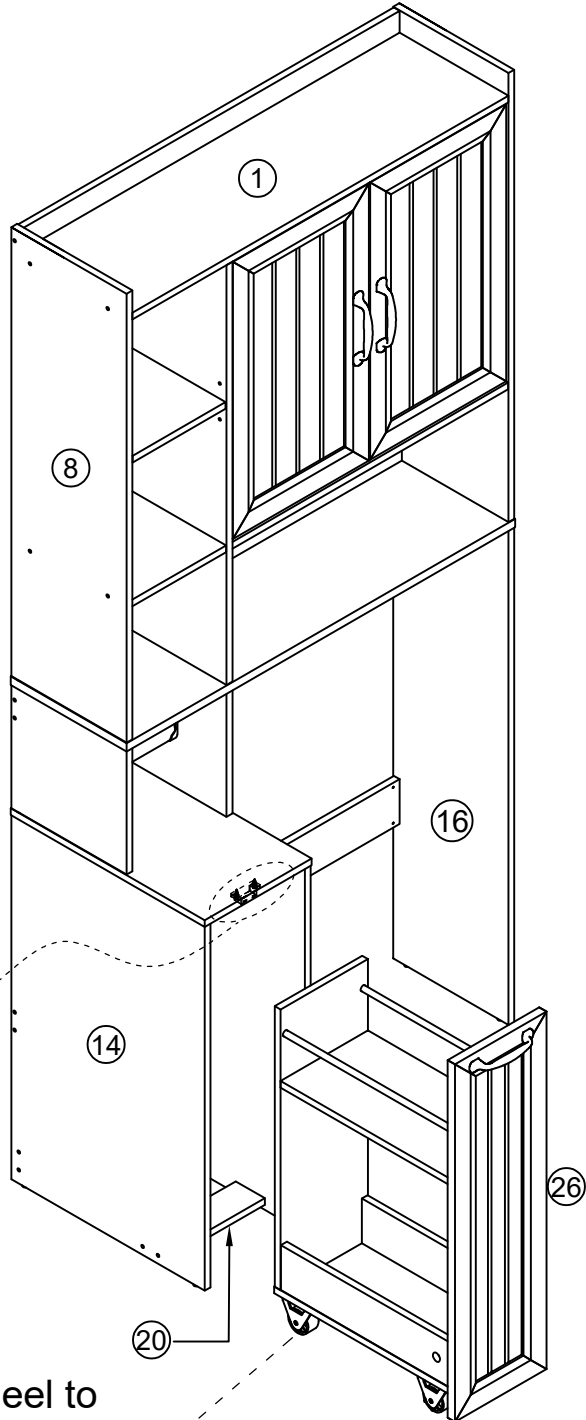
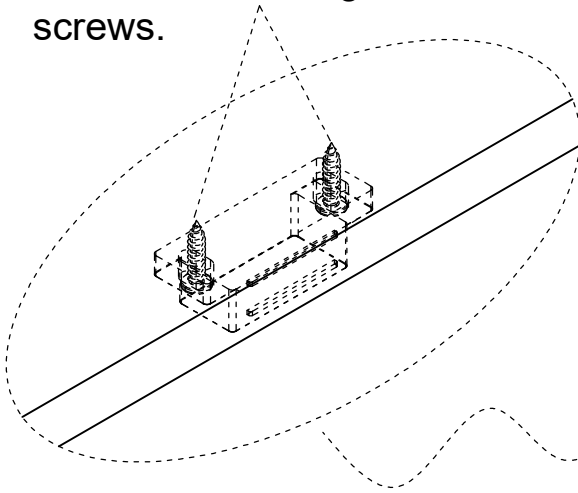
INSTALLATION INSTRUCTION

STEP 42



90°

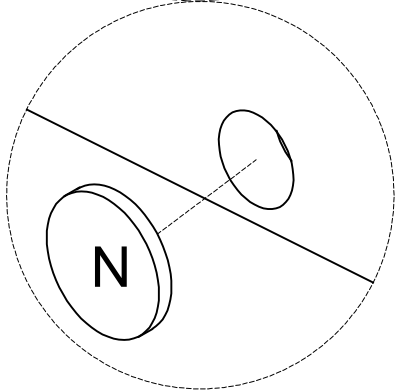
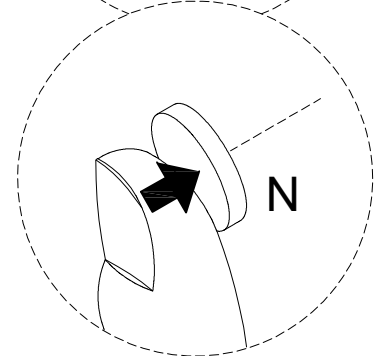
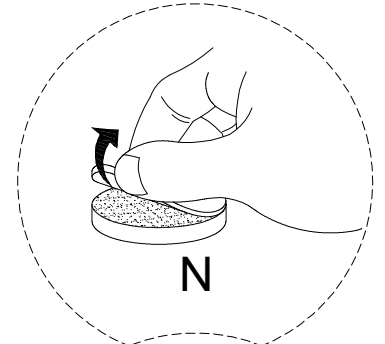
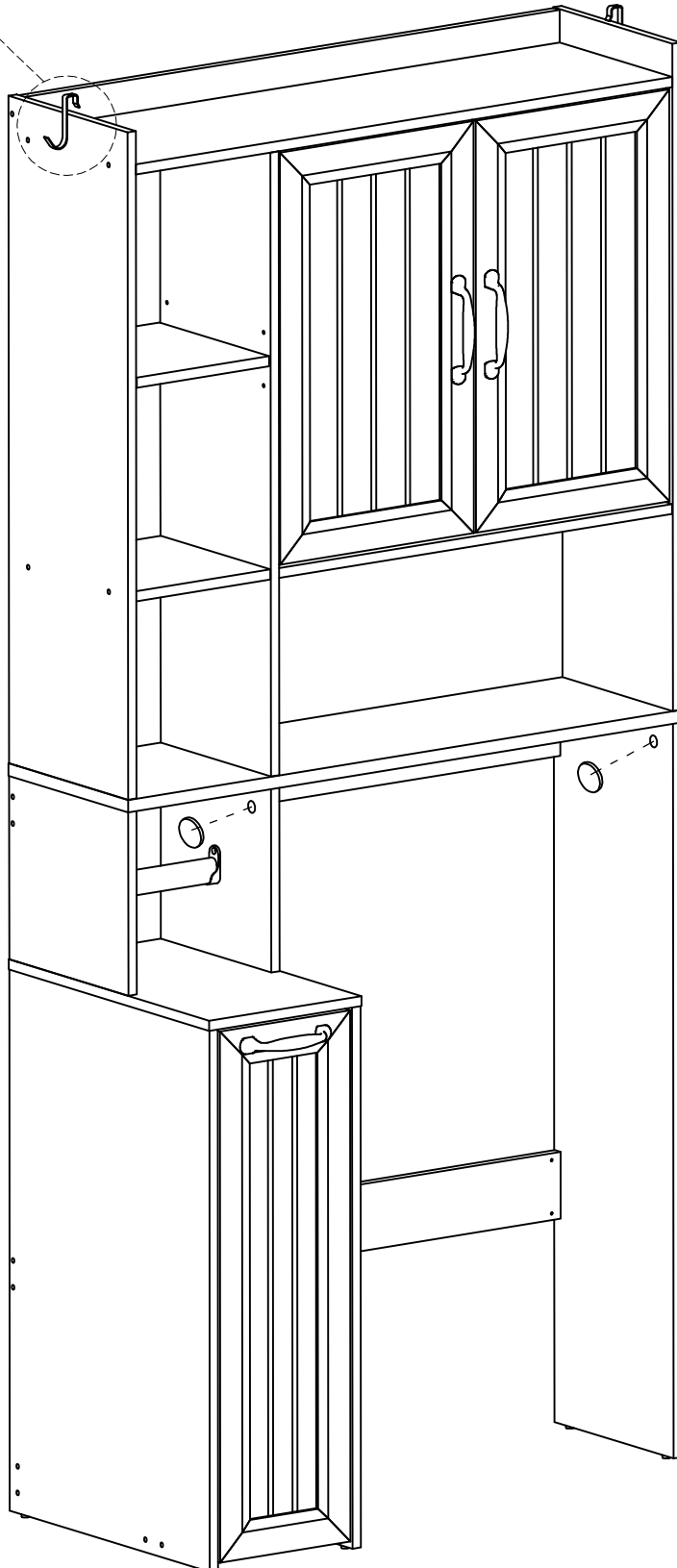
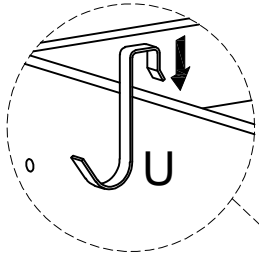
Adjust the screws, move the magnetic contacts back and forth to the appropriate position, fully contact the trolley # 26 board, and then tighten the screws.



Raise this wheel to the corresponding height, cross the # 20 board, and then push the cart in.

INSTALLATION INSTRUCTION

STEP 43



Exposed holes
can be attached
with stickers N

N x 26



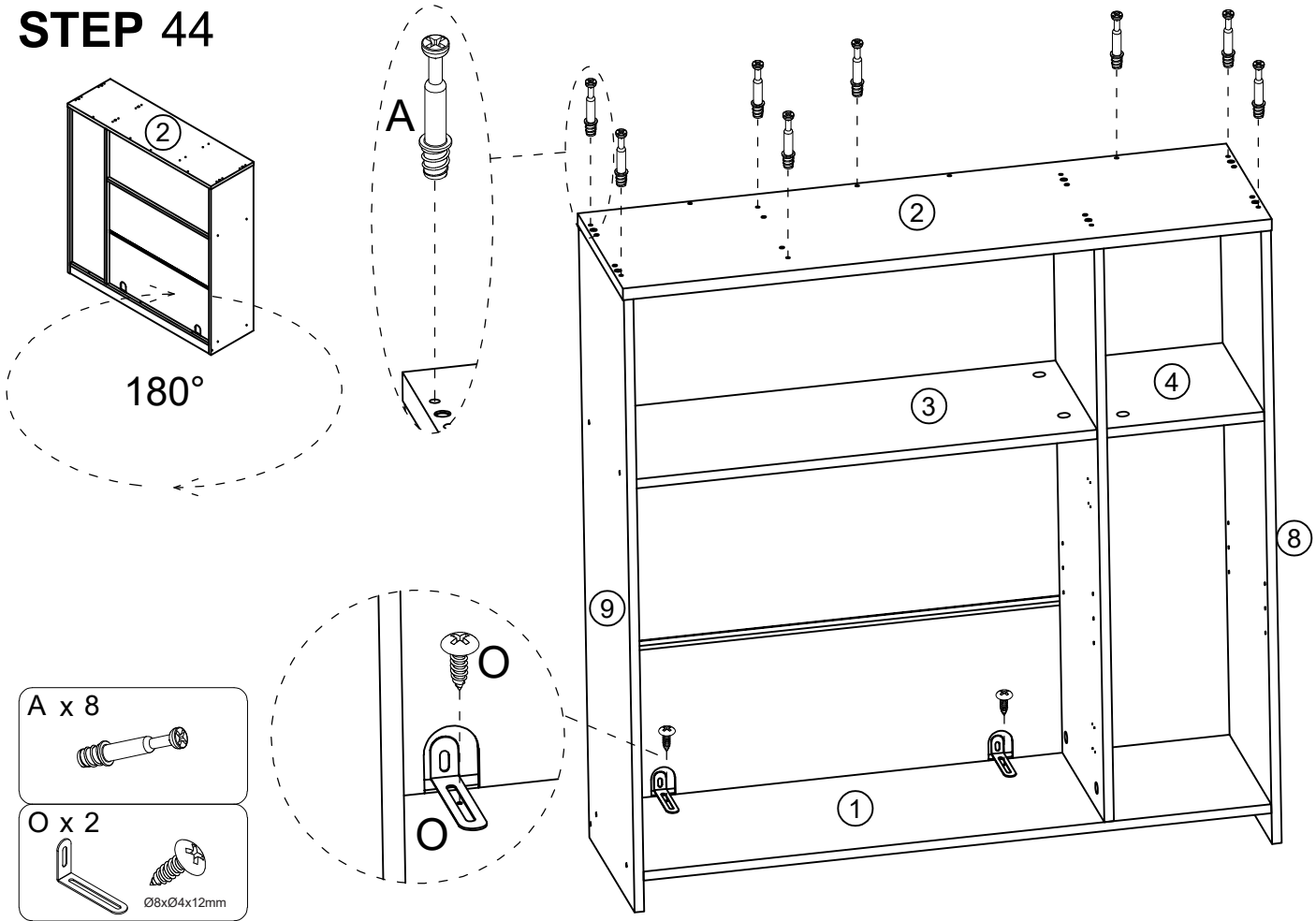
Ø20mm

U x 2

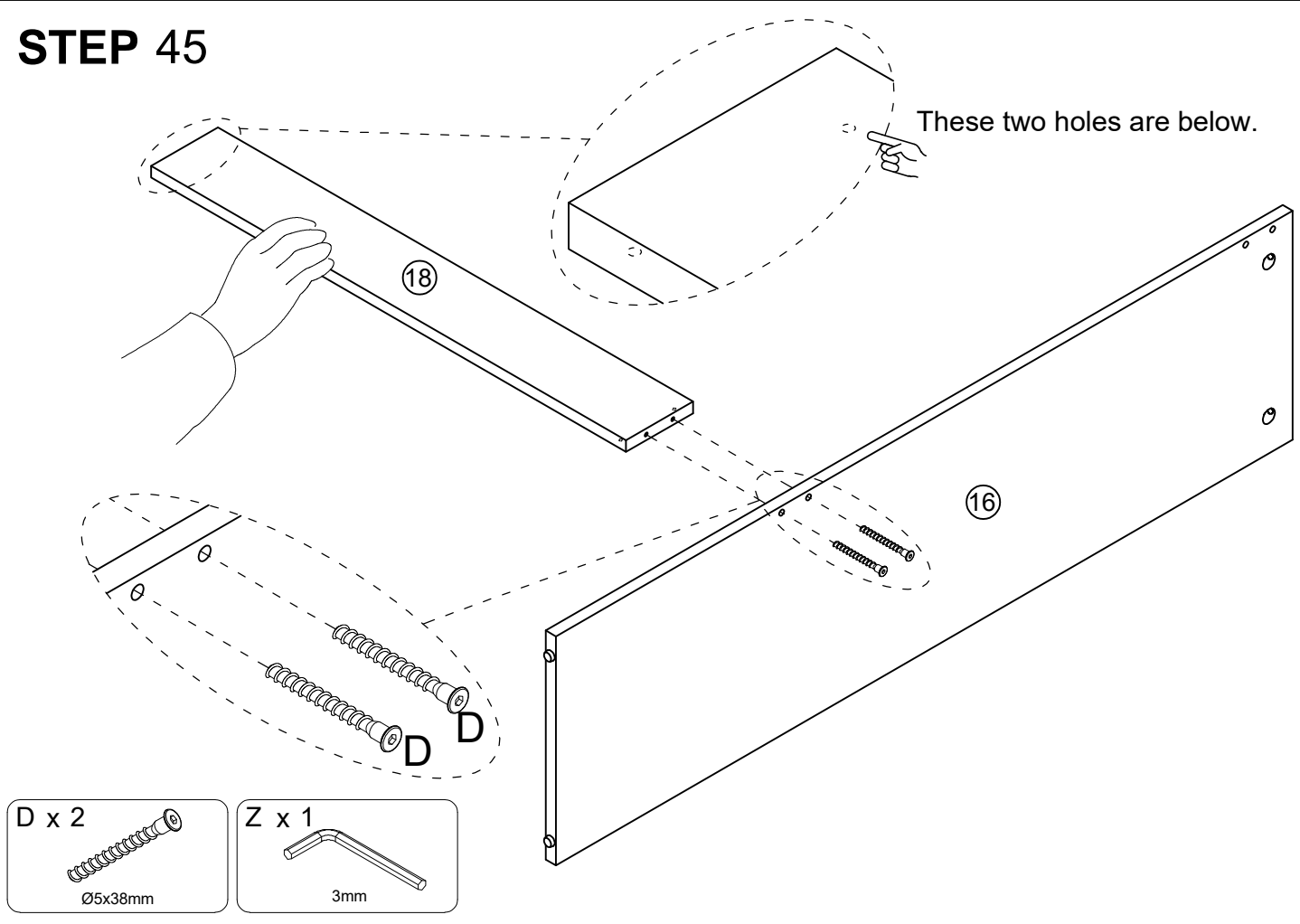


INSTALLATION INSTRUCTION

STEP 44

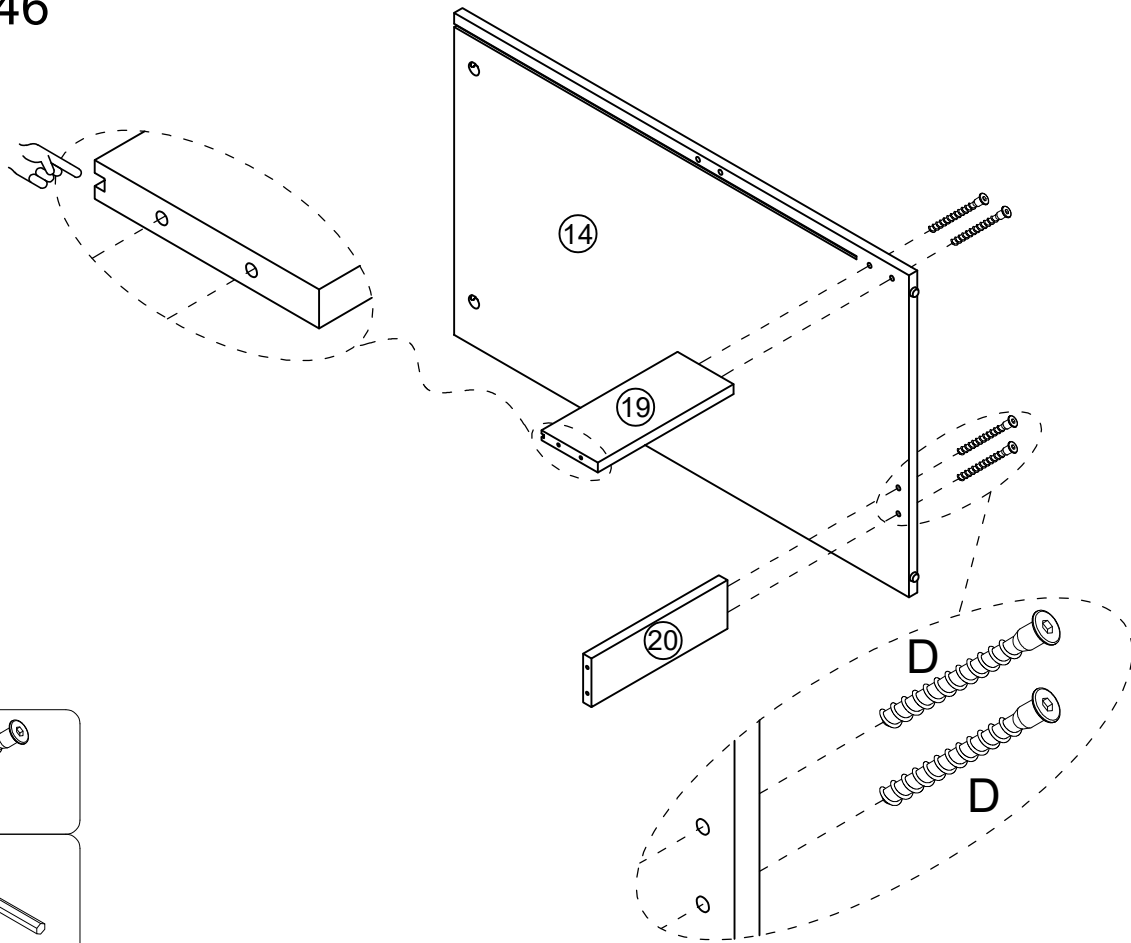


STEP 45



INSTALLATION INSTRUCTION

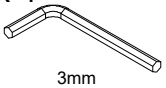
STEP 46



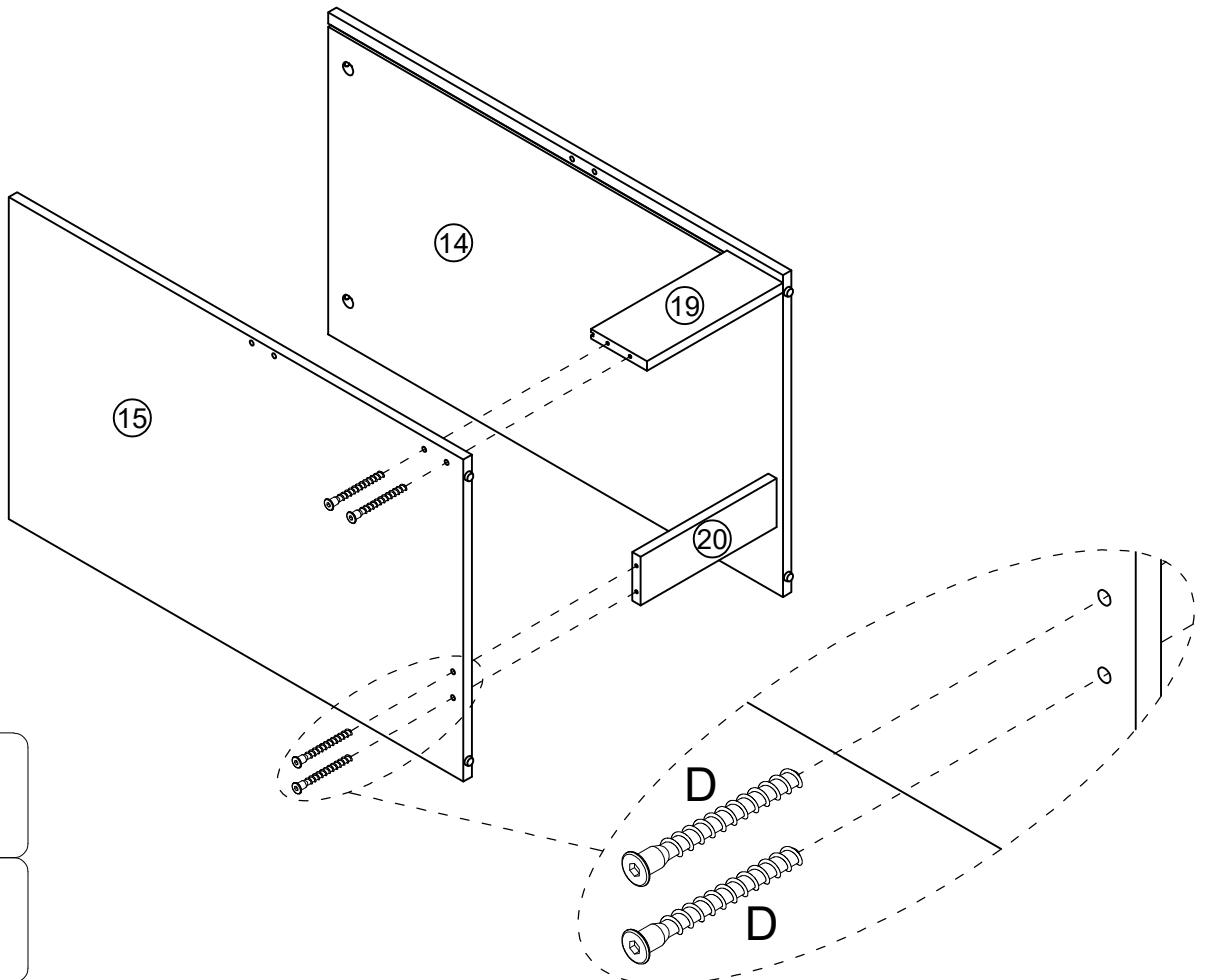
D x 4



Z x 1



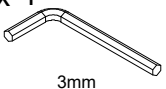
STEP 47



D x 4

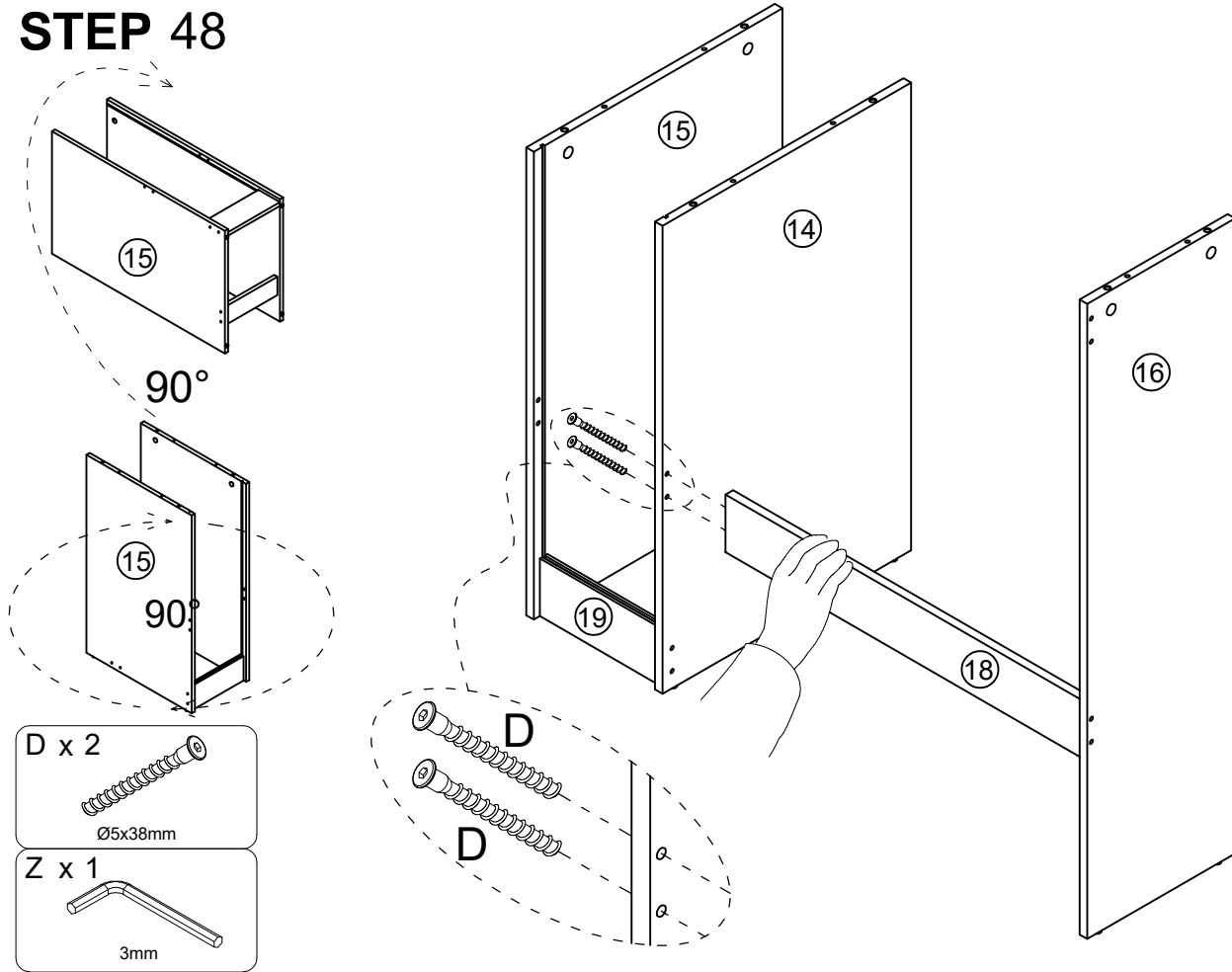


Z x 1

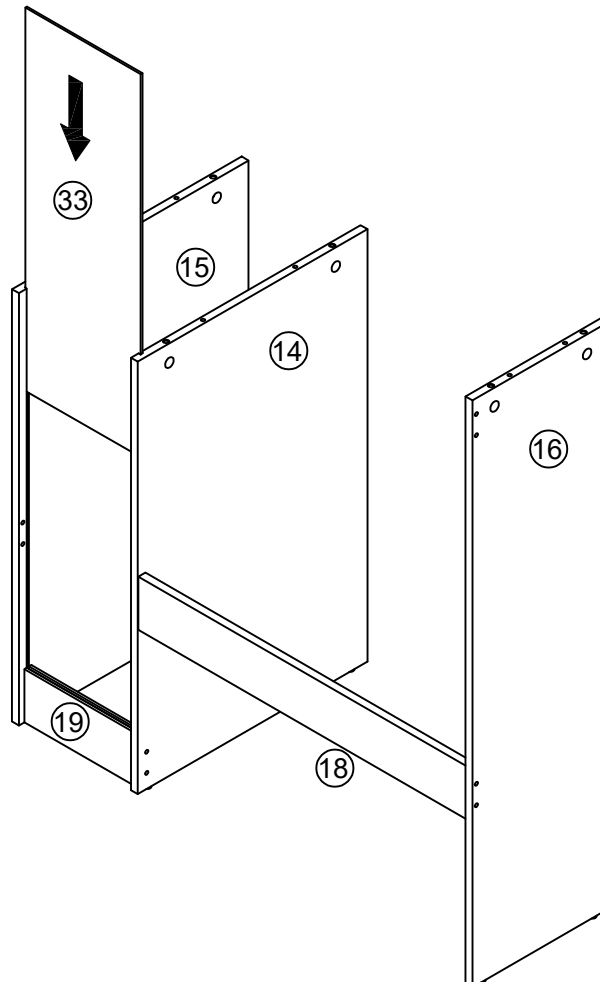


INSTALLATION INSTRUCTION

STEP 48



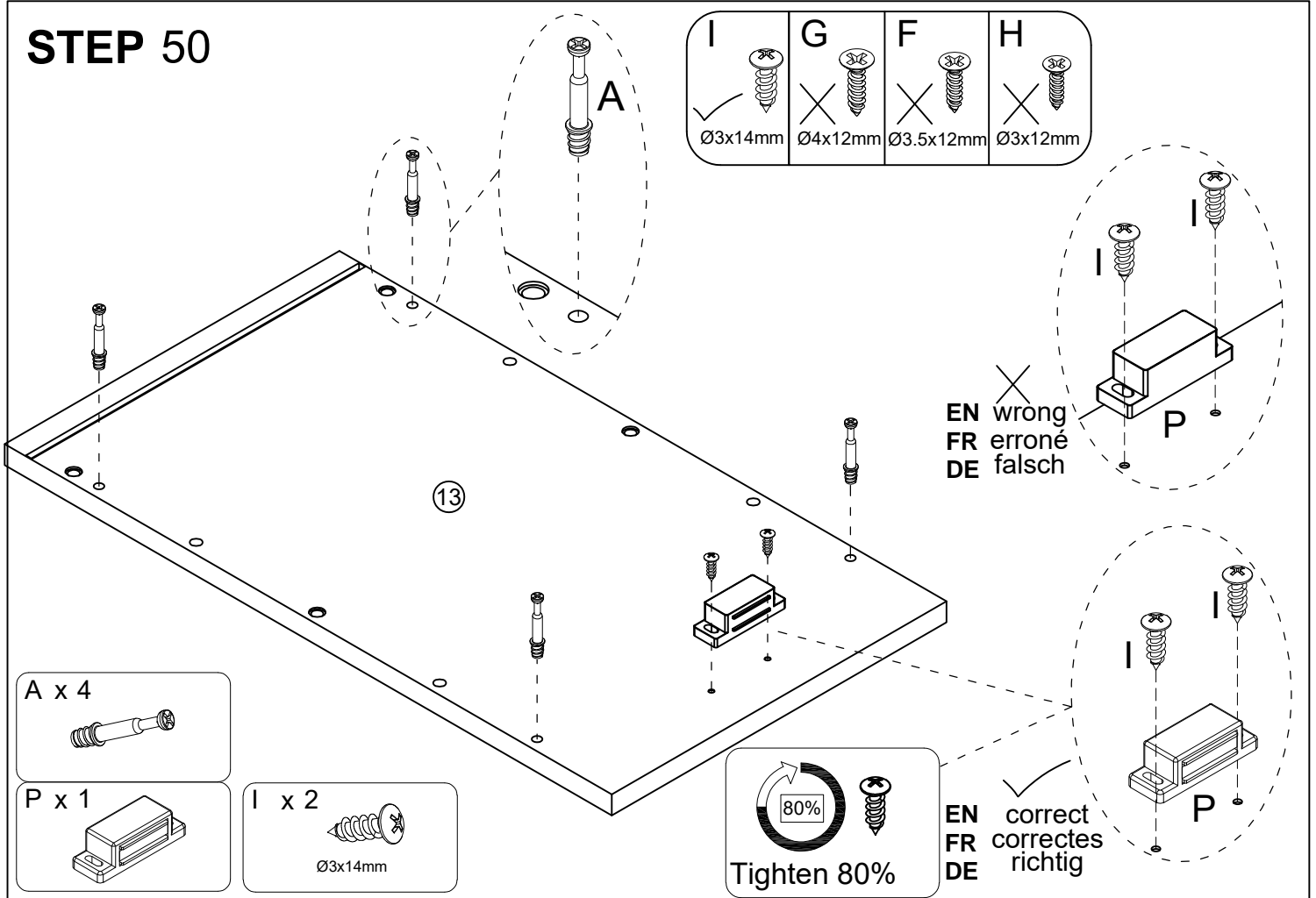
STEP 49



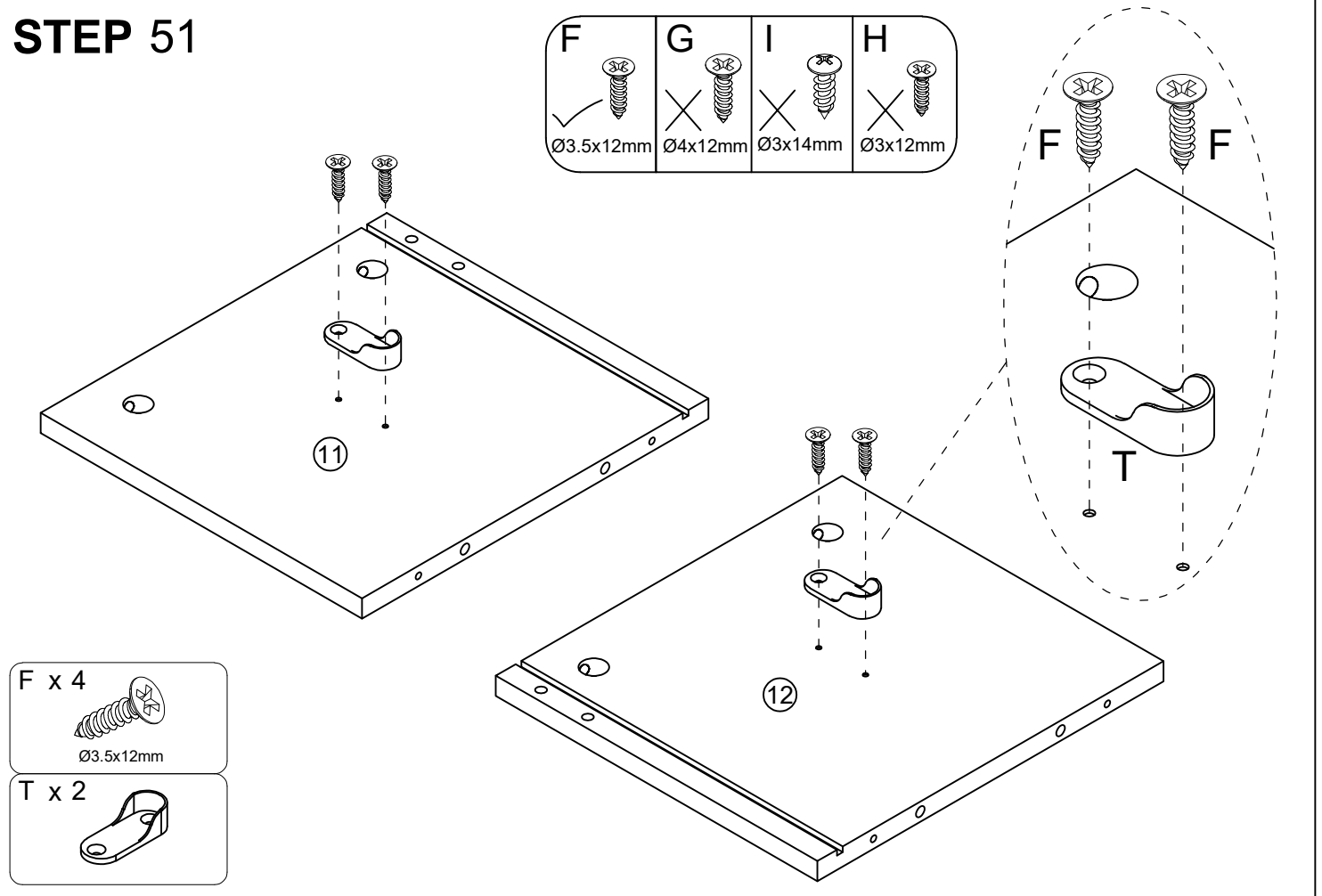
The thin plate needs to be fully inserted into the groove. If the insertion is not smooth, you can try pressing from the front or the back to make adjustments until the thin plate is fully inserted into the groove.

INSTALLATION INSTRUCTION

STEP 50

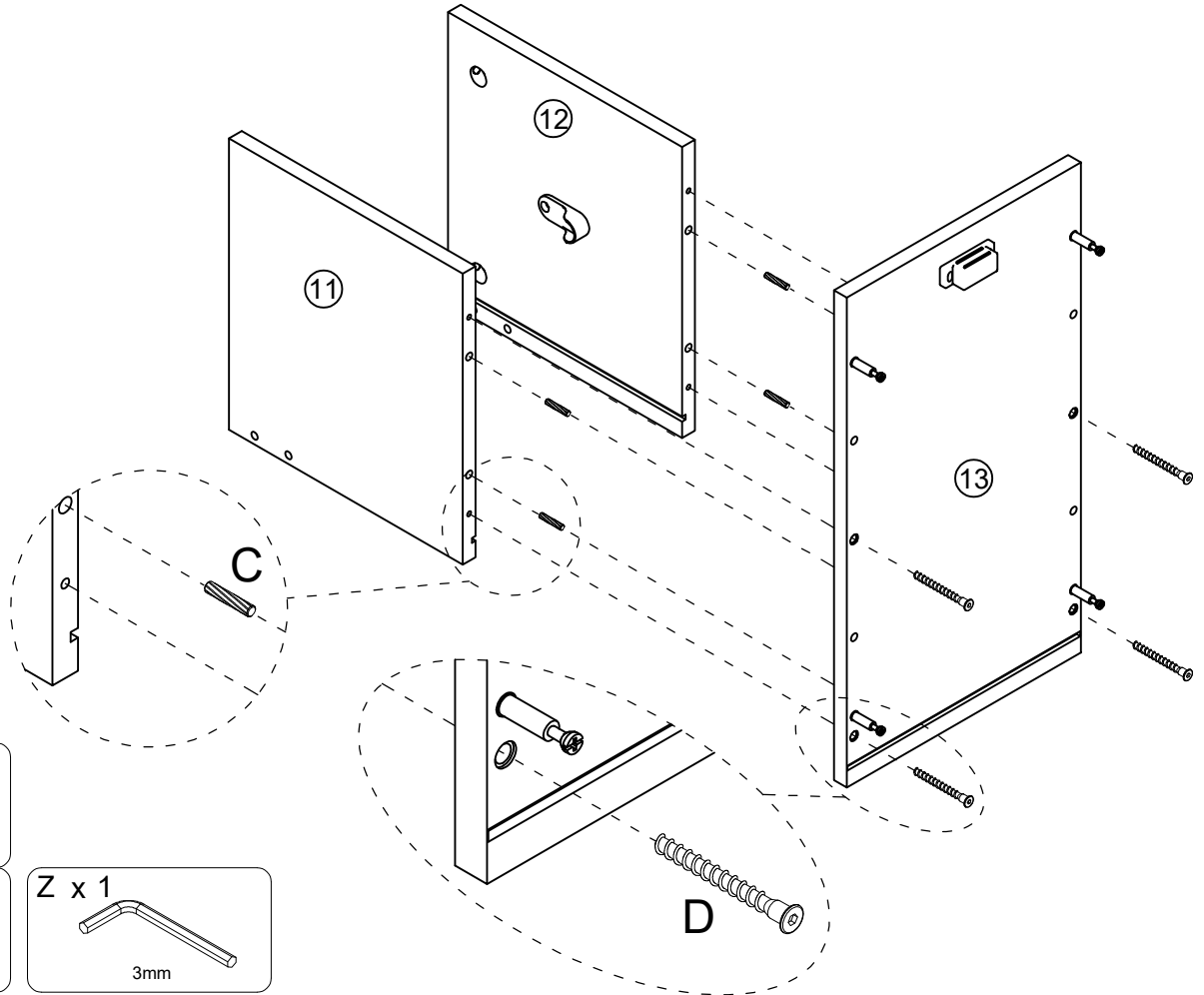


STEP 51

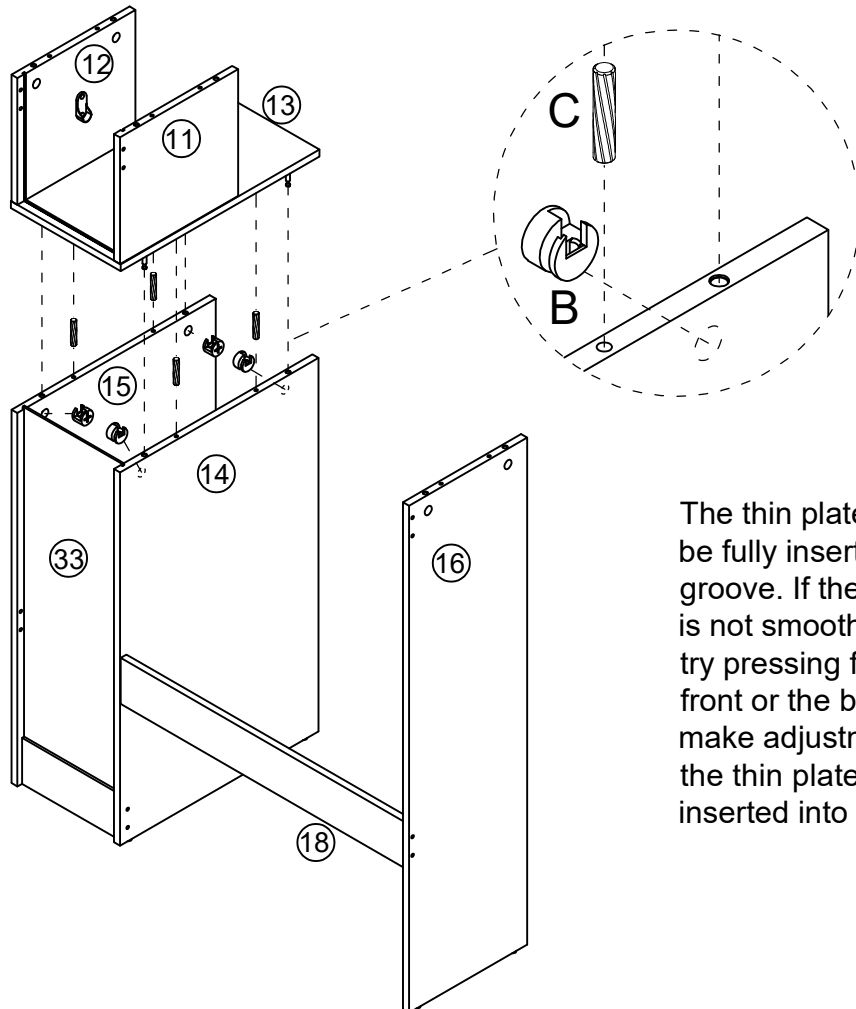


INSTALLATION INSTRUCTION

STEP 52



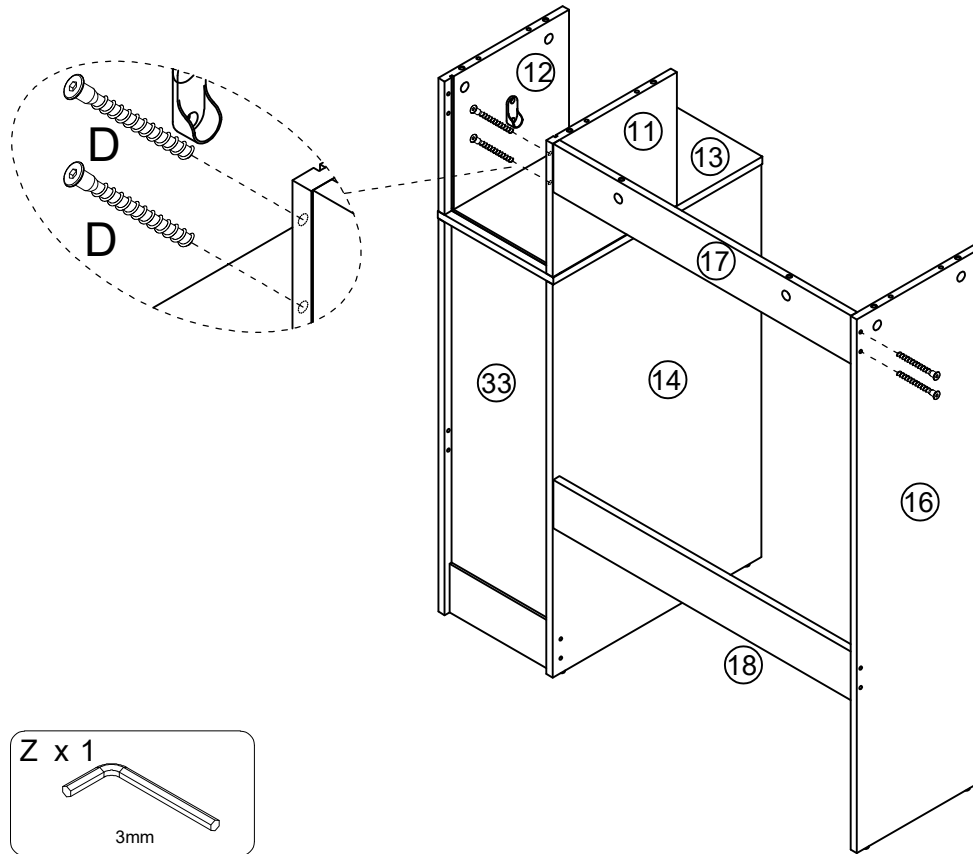
STEP 53



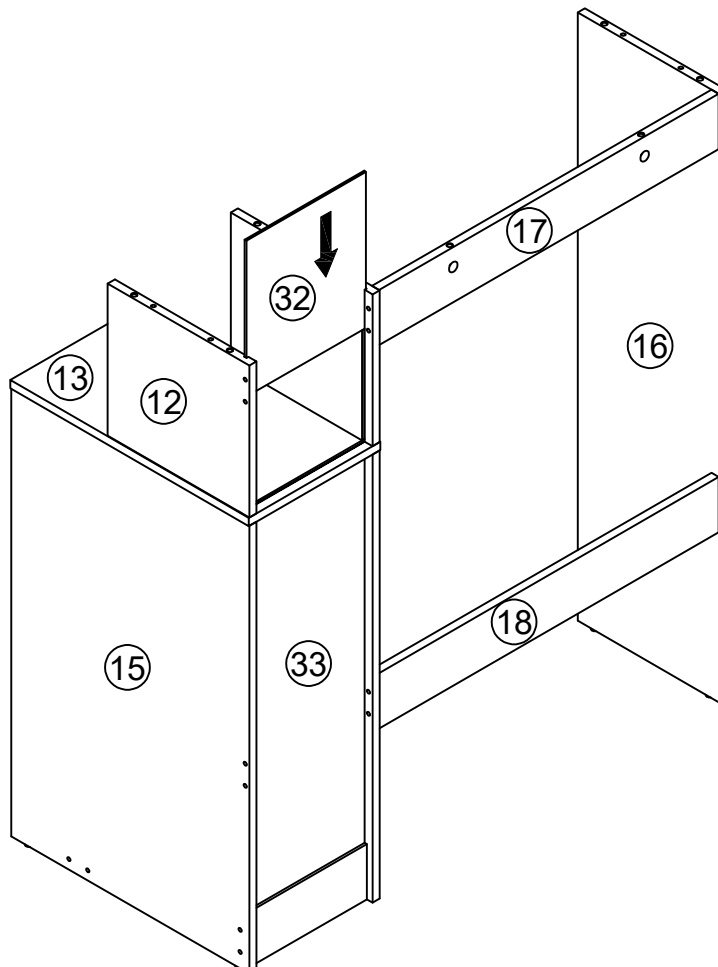
The thin plate needs to be fully inserted into the groove. If the insertion is not smooth, you can try pressing from the front or the back to make adjustments until the thin plate is fully inserted into the groove.

INSTALLATION INSTRUCTION

STEP 54



STEP 55

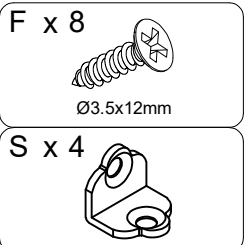
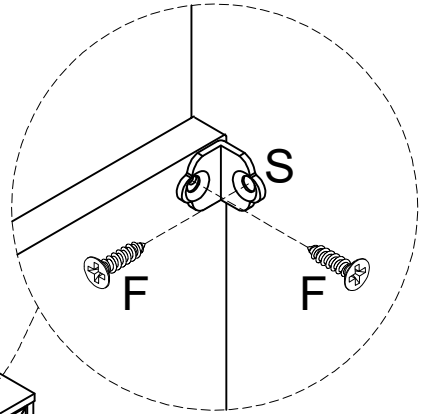
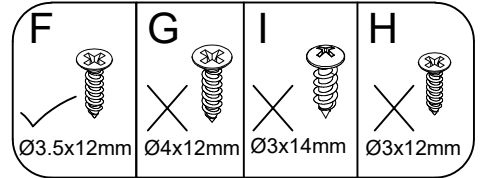
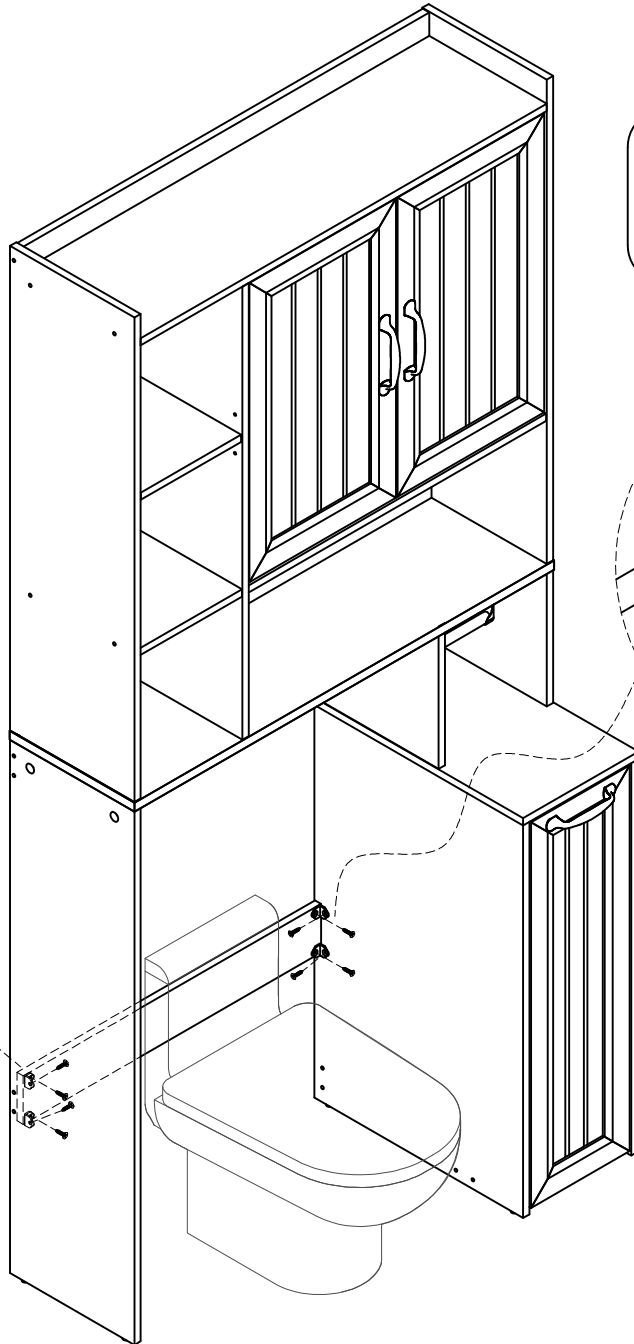


The thin plate needs to be fully inserted into the groove. If the insertion is not smooth, you can try pressing from the front or the back to make adjustments until the thin plate is fully inserted into the groove.

INSTALLATION INSTRUCTION

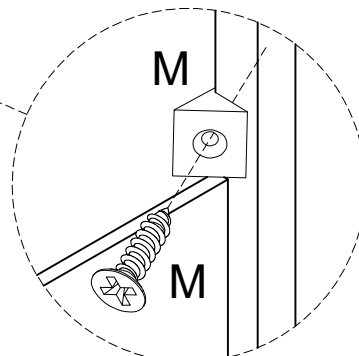
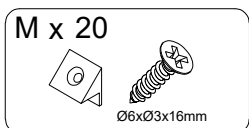
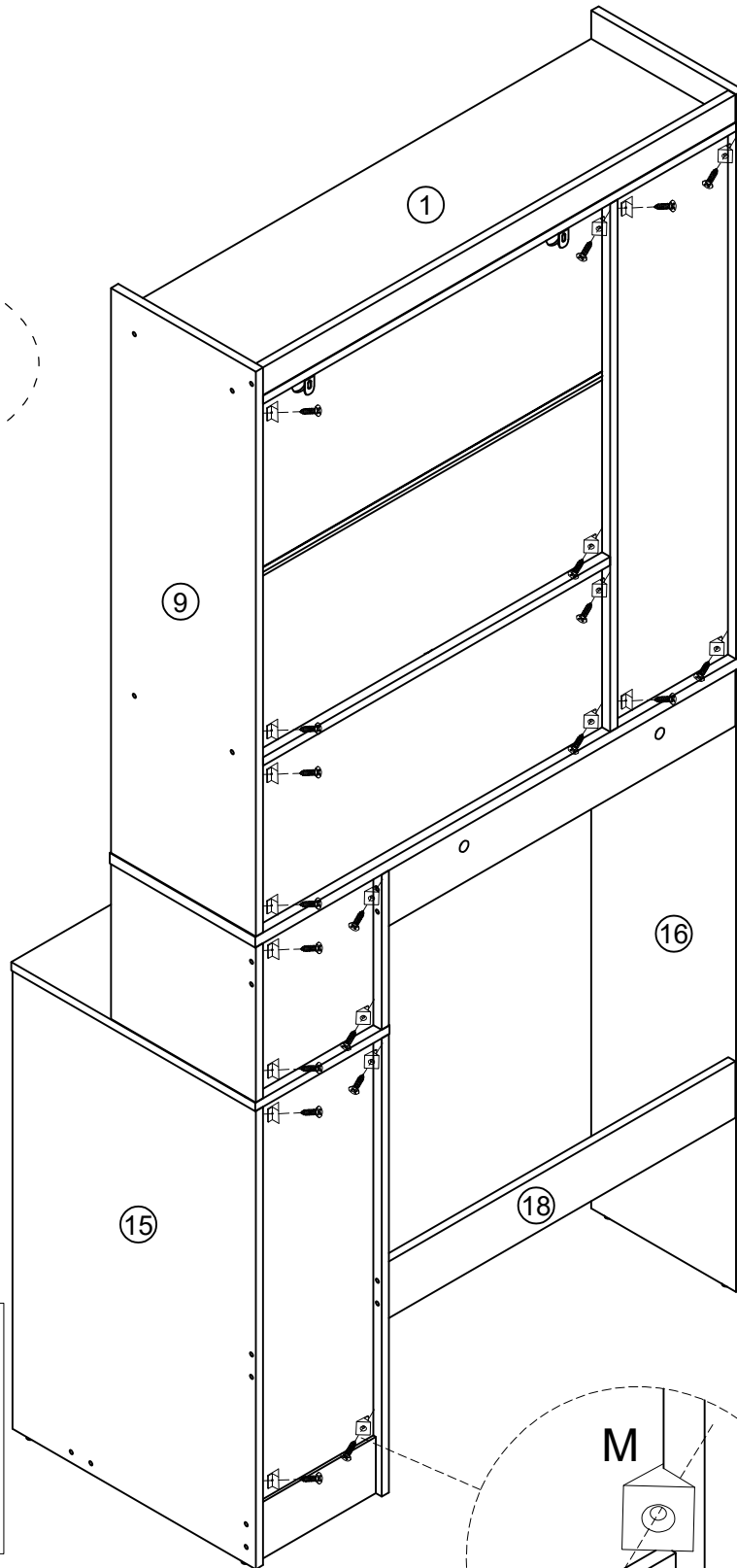
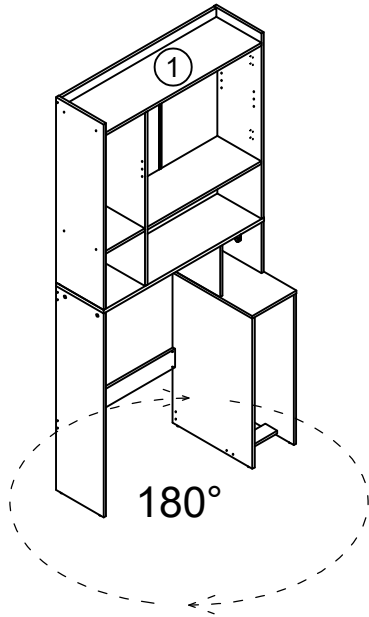
STEP 57

Please check if the product can be used smoothly first
Put it behind the toilet. If not, please remove board # 18,
Place the product behind the small bottle and reinstall
component S&# 18 board.



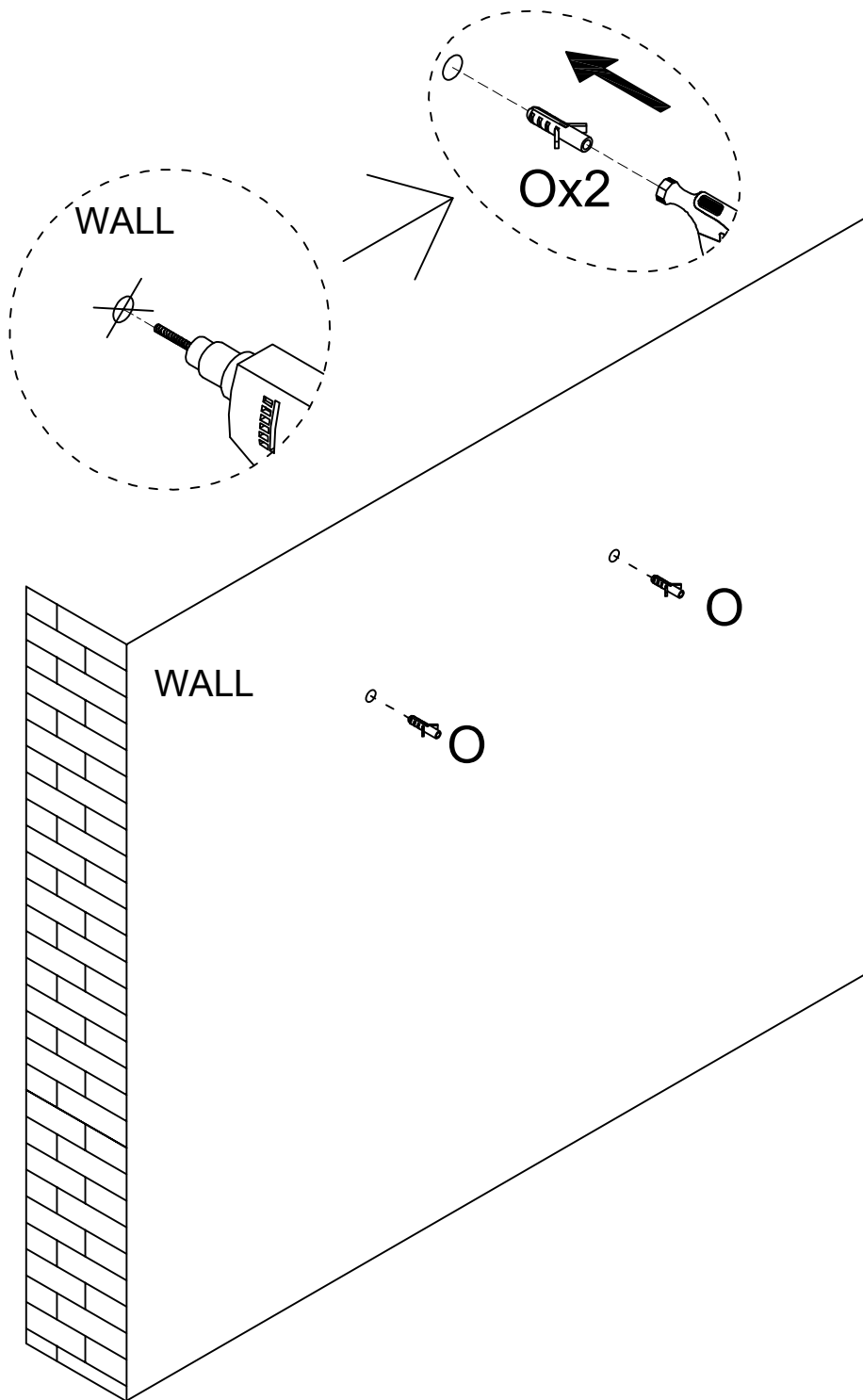
INSTALLATION INSTRUCTION

STEP 58

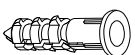


INSTALLATION INSTRUCTION

STEP 59



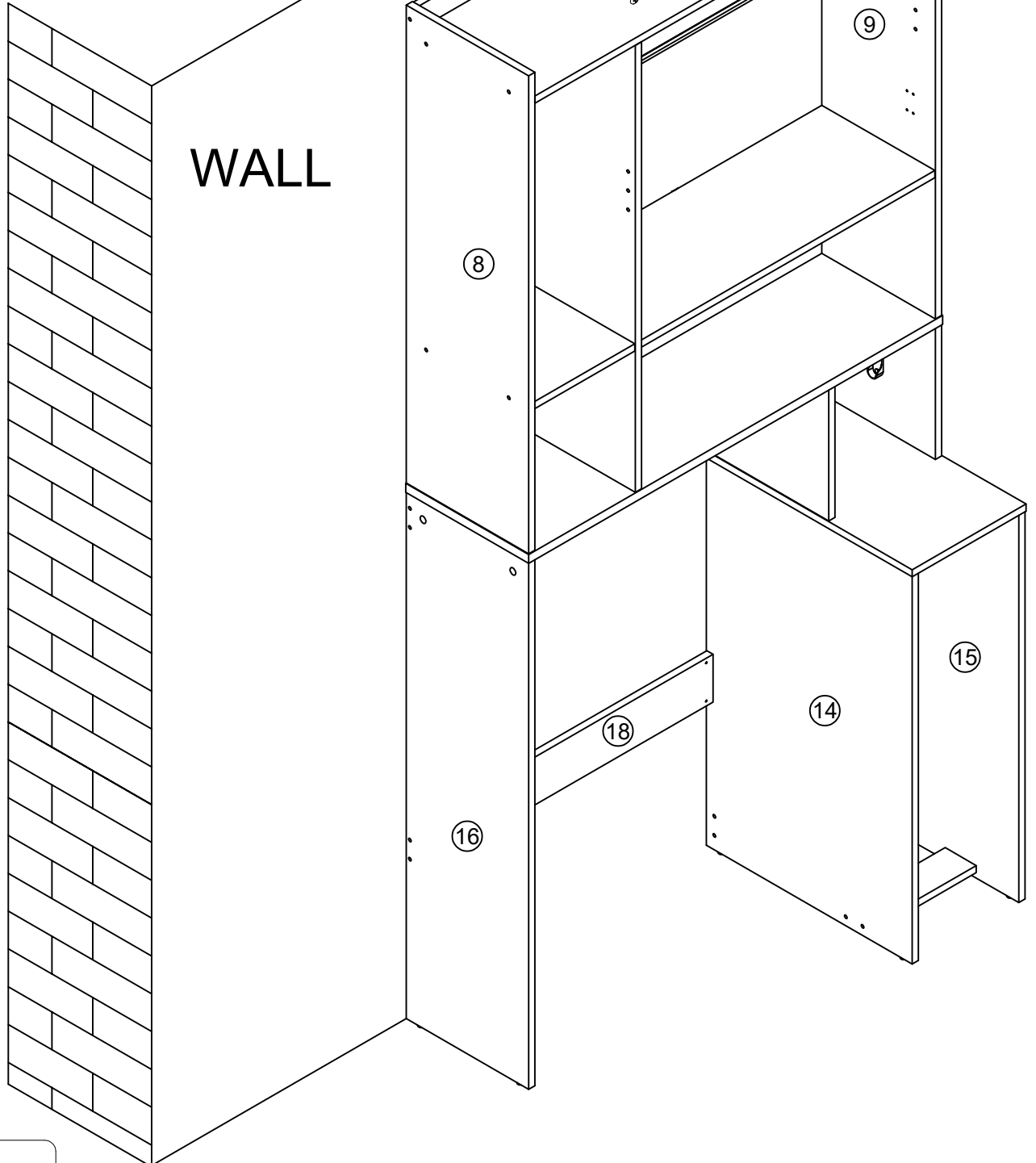
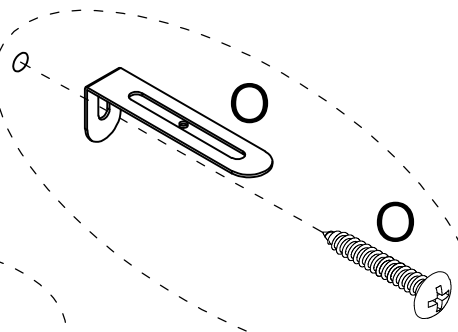
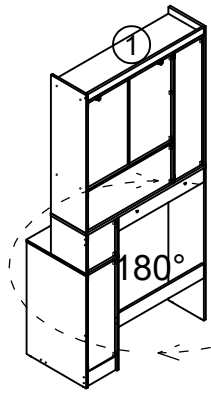
O x 2



INSTALLATION INSTRUCTION

STEP 60

It is recommended to elevate the height before installing the anti fall device, please pay attention to safety.



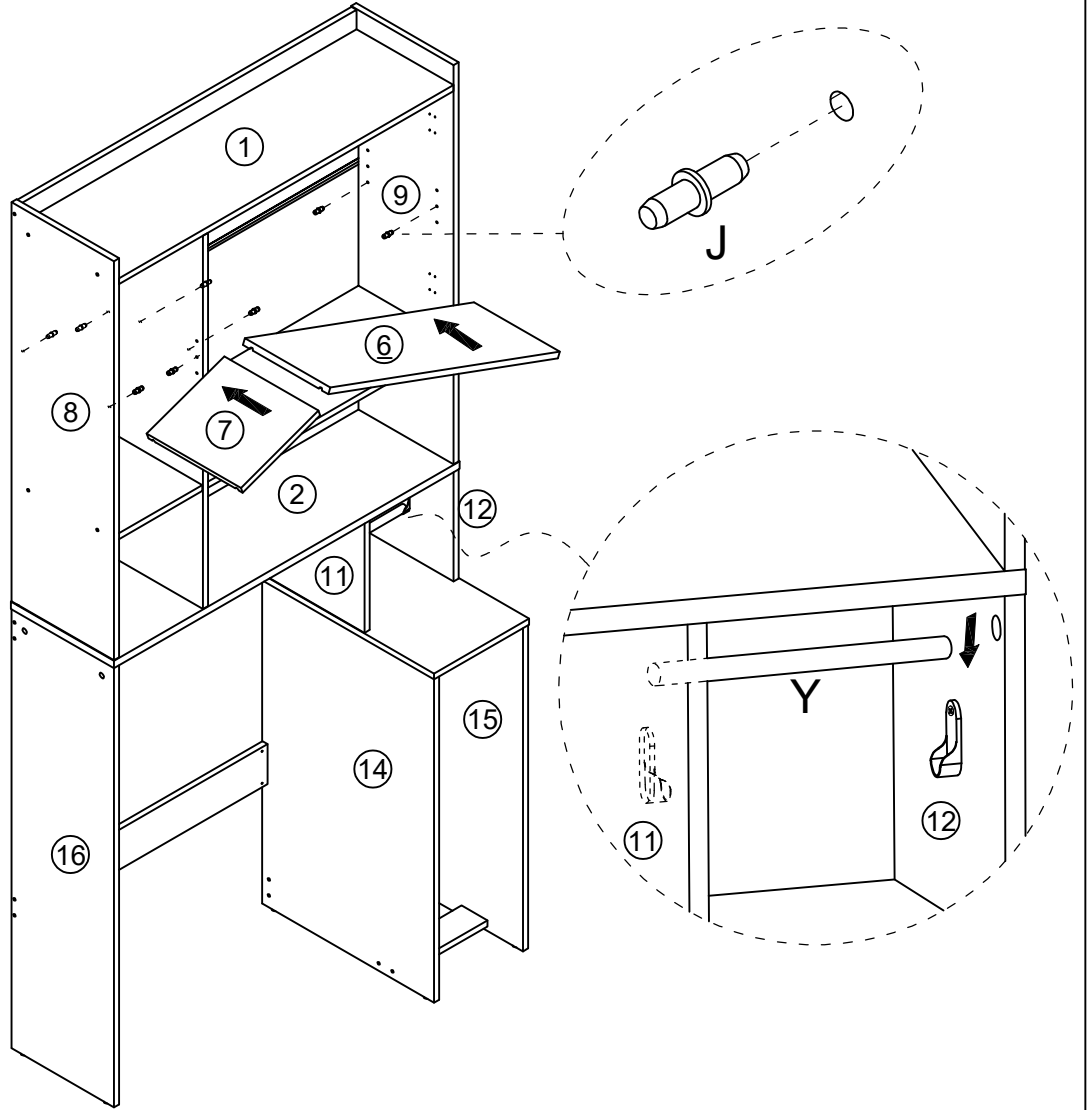
O x 2



Ø8xØ4x38mm

INSTALLATION INSTRUCTION

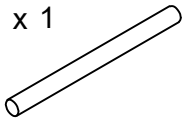
STEP 61



J x 8



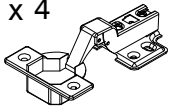
Y x 1



STEP 62

x2

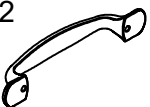
E x 4



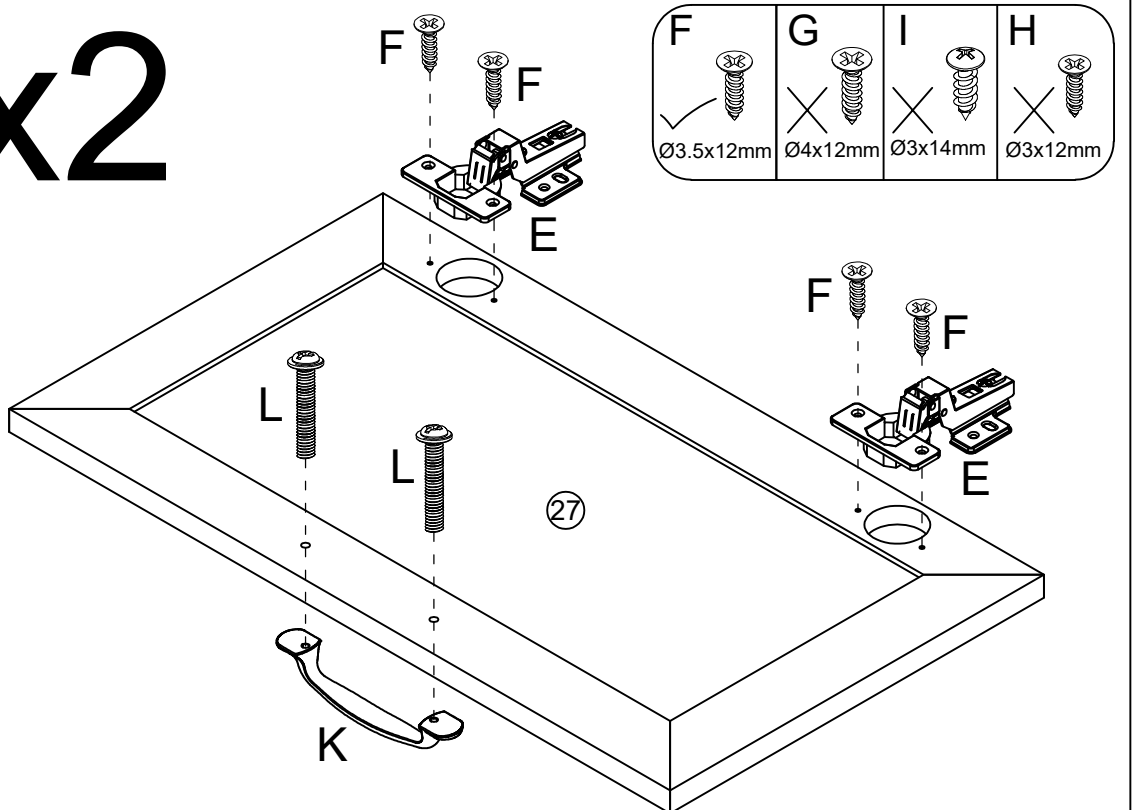
F x 8



K x 2

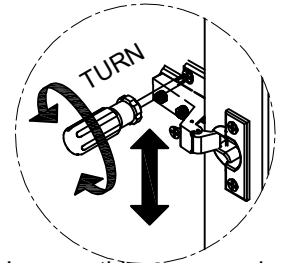
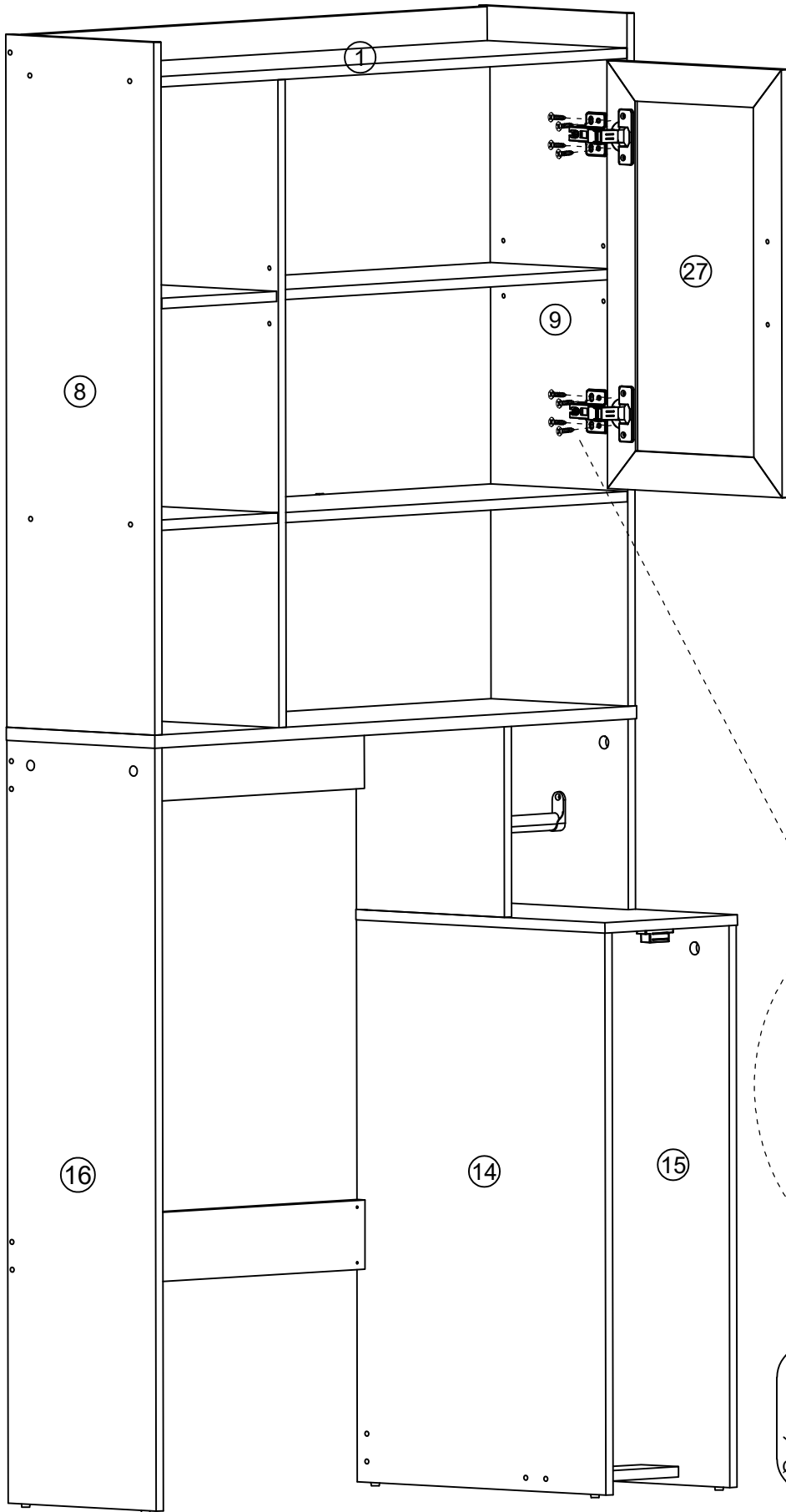


L x 4

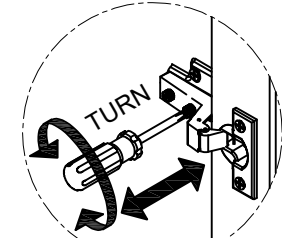


INSTALLATION INSTRUCTION

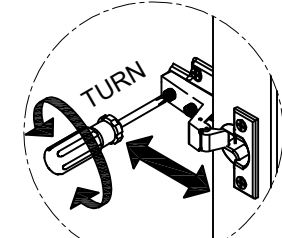
STEP 63



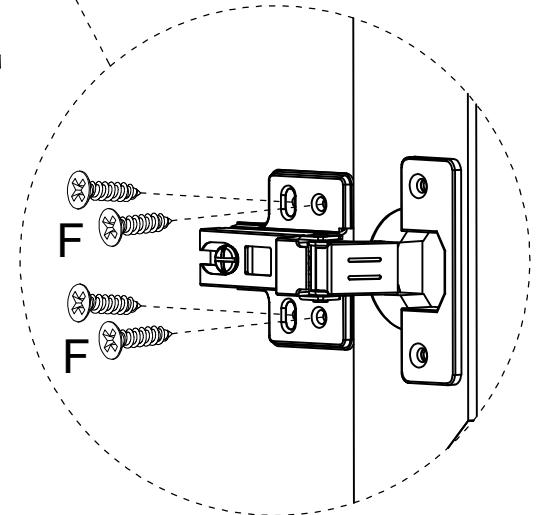
Loosen this screw and push up/down for a slight up-down adjustment of the door.



Loosen this screw for a slight left-right adjustment of the door.



Loosen this screw and push forward/backward for a slight front-back adjustment of the door.



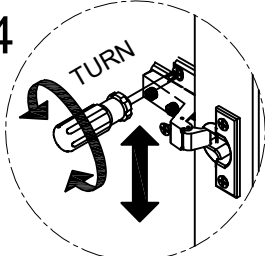
F	G	I	H
Ø3.5x12mm	Ø4x12mm	Ø3x14mm	Ø3x12mm

F x 8

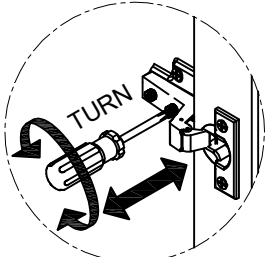
 Ø3.5x12mm

INSTALLATION INSTRUCTION

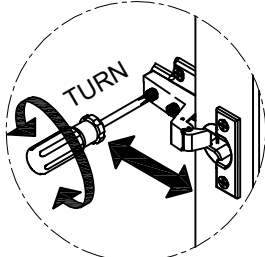
STEP 64



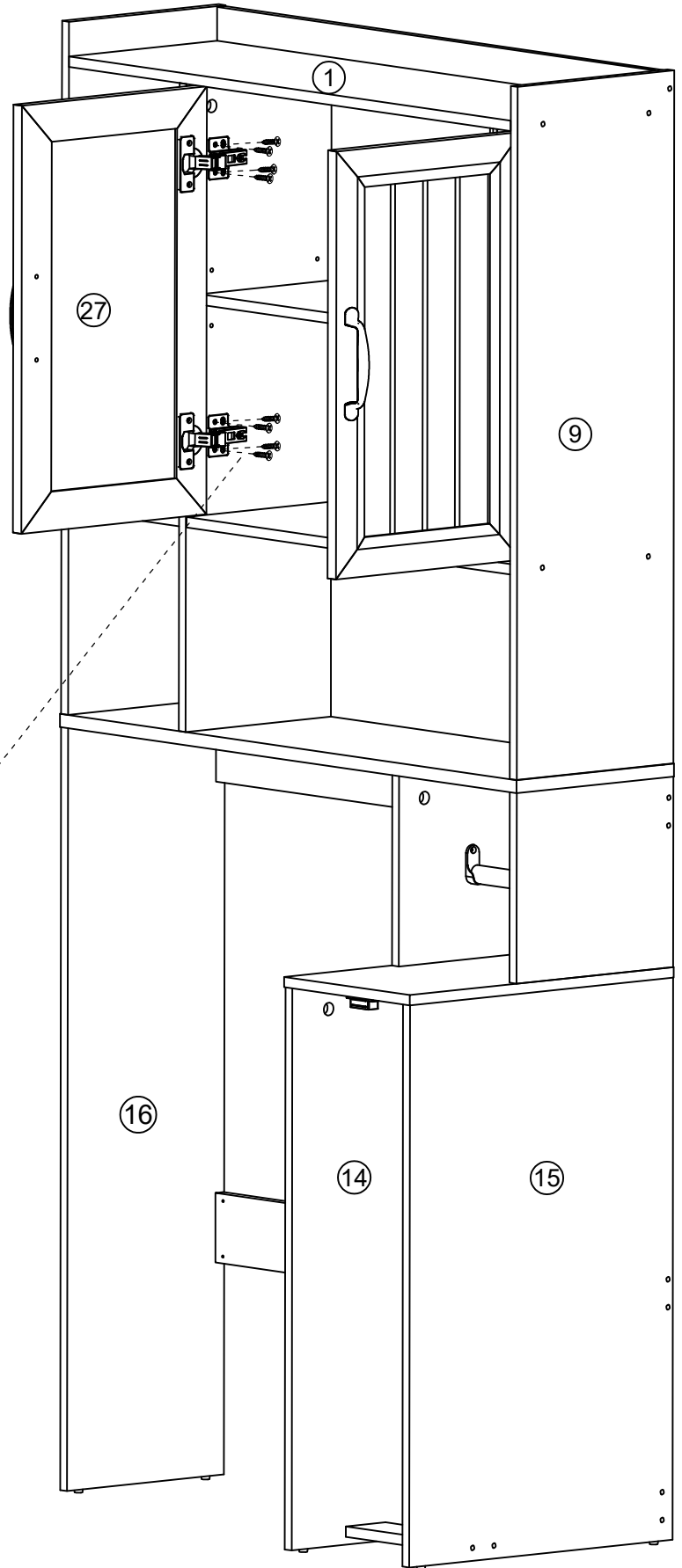
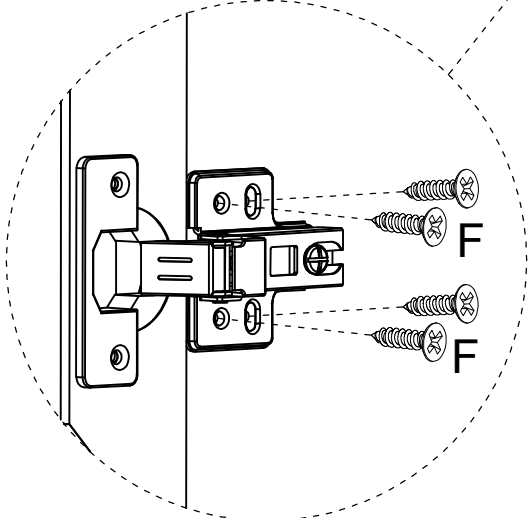
Loosen this screw and push up/down for a slight up-down adjustment of the door.







Loosen this screw for a slight left-right adjustment of the door.




Loosen this screw and push forward/backward for a slight front-back adjustment of the door.



F  ✓ Ø3.5x12mm	G  ✗ Ø4x12mm	I  ✗ Ø3x14mm	H  ✗ Ø3x12mm
---	---	---	---

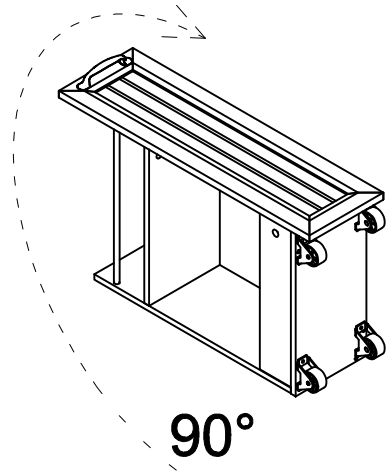
F x 8



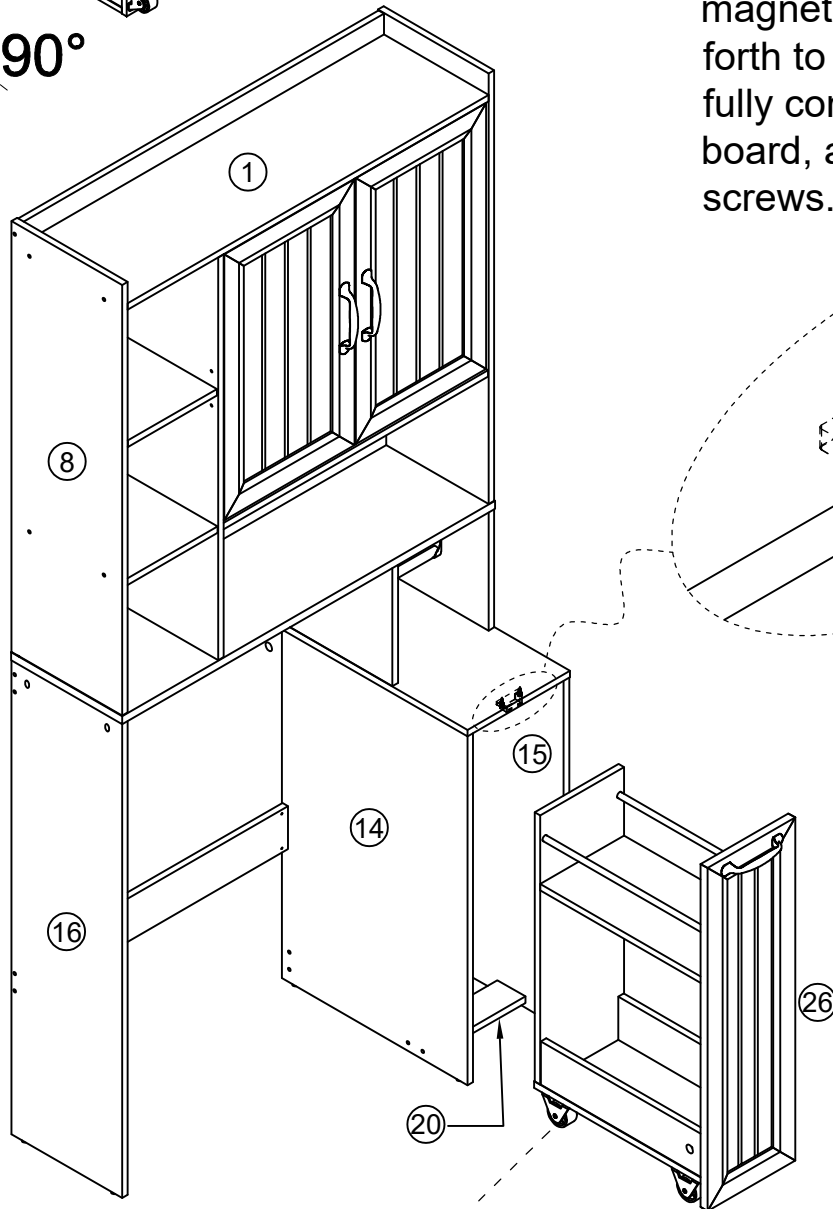
Ø3.5x12mm

INSTALLATION INSTRUCTION

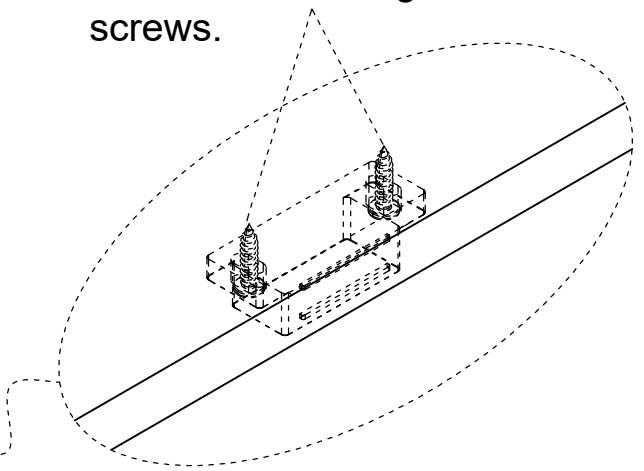
STEP 65



90°



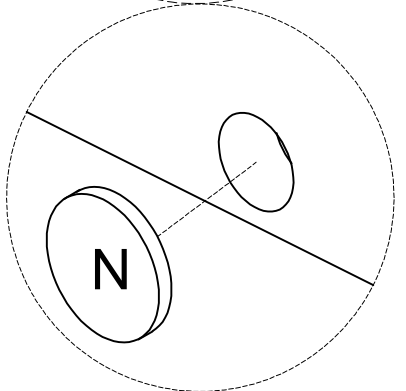
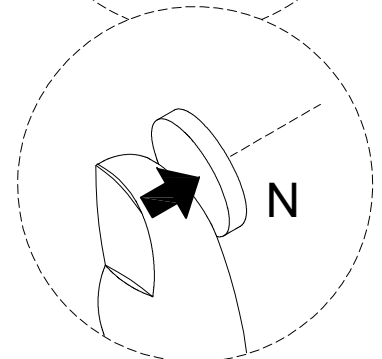
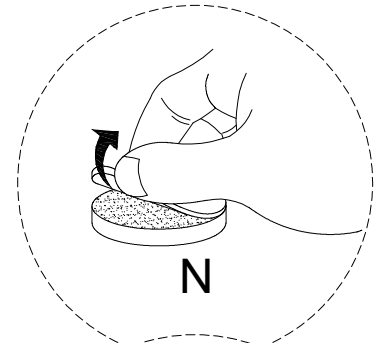
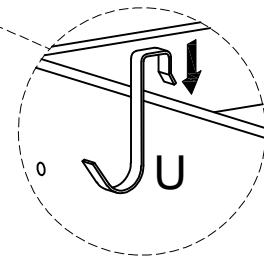
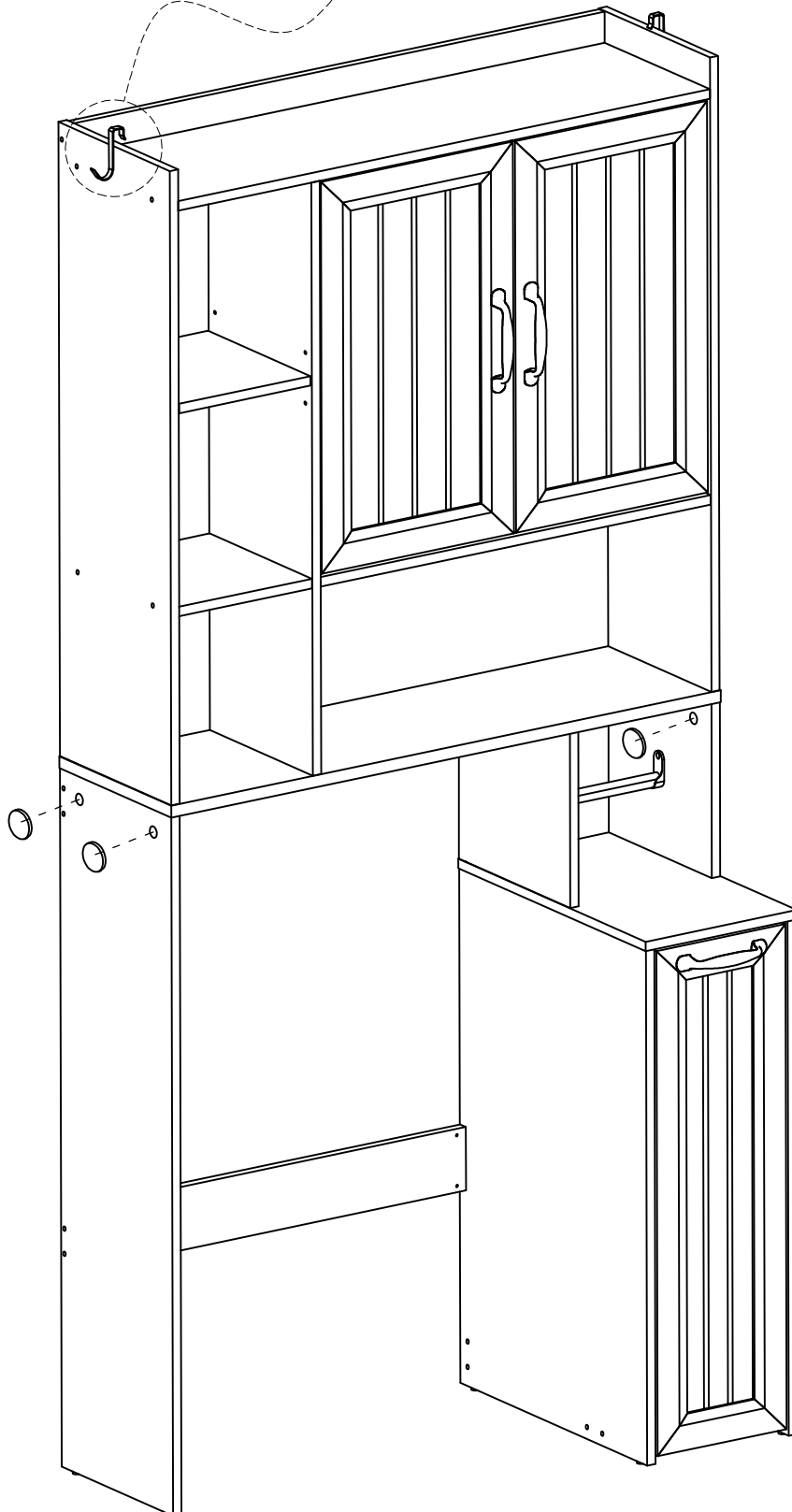
Adjust the screws, move the magnetic contacts back and forth to the appropriate position, fully contact the trolley # 26 board, and then tighten the screws.



Raise this wheel to the corresponding height, cross the # 20 board, and then push the cart in.

INSTALLATION INSTRUCTION

STEP 66



Exposed holes
can be attached
with stickers N

N x 26



Ø20mm

U x 2

