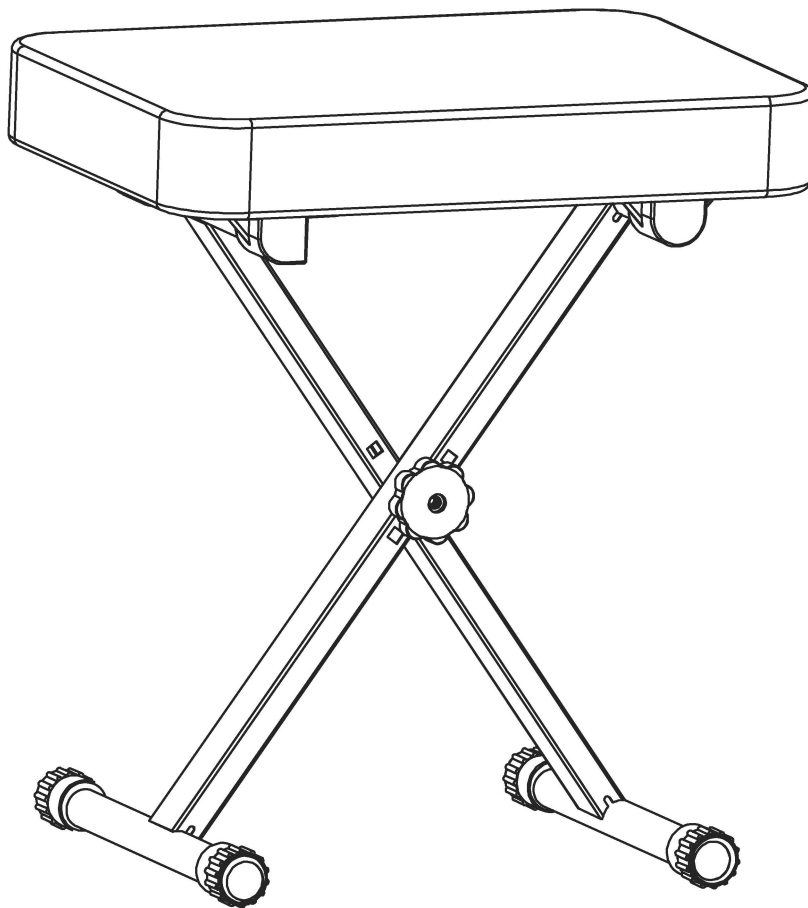
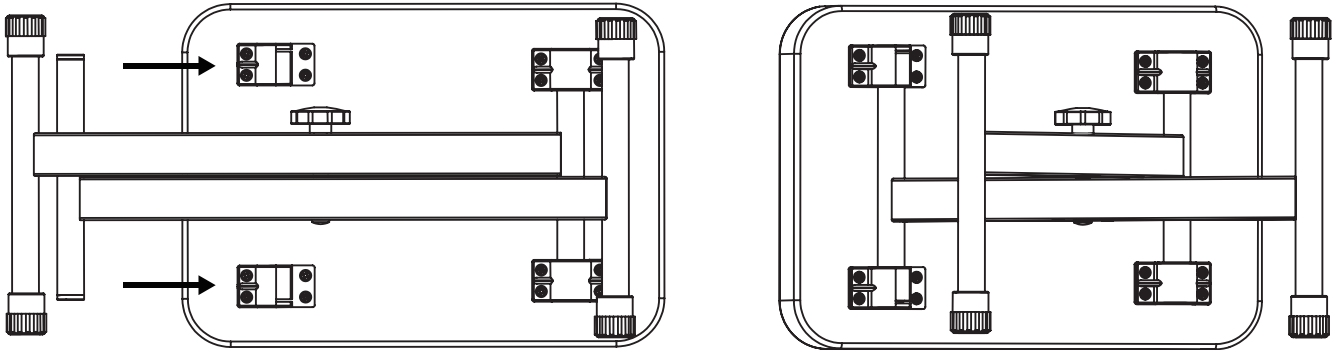


Keyboard Bench

Instruction Manual

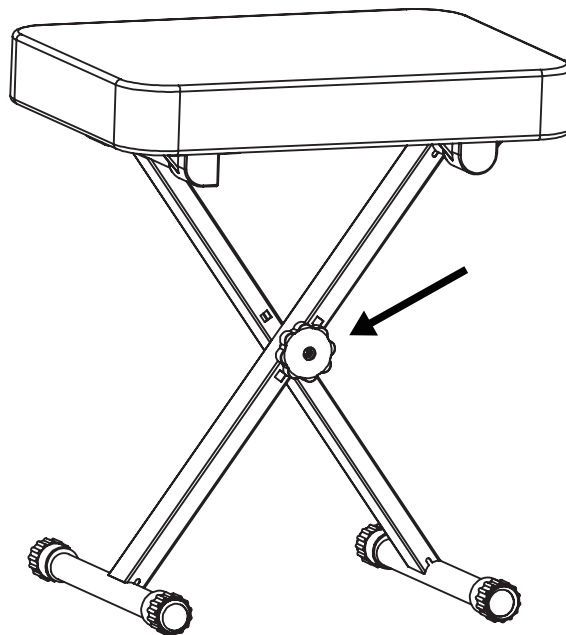


Step 1



NOTE: Slide the round tube into the holding brackets as shown.

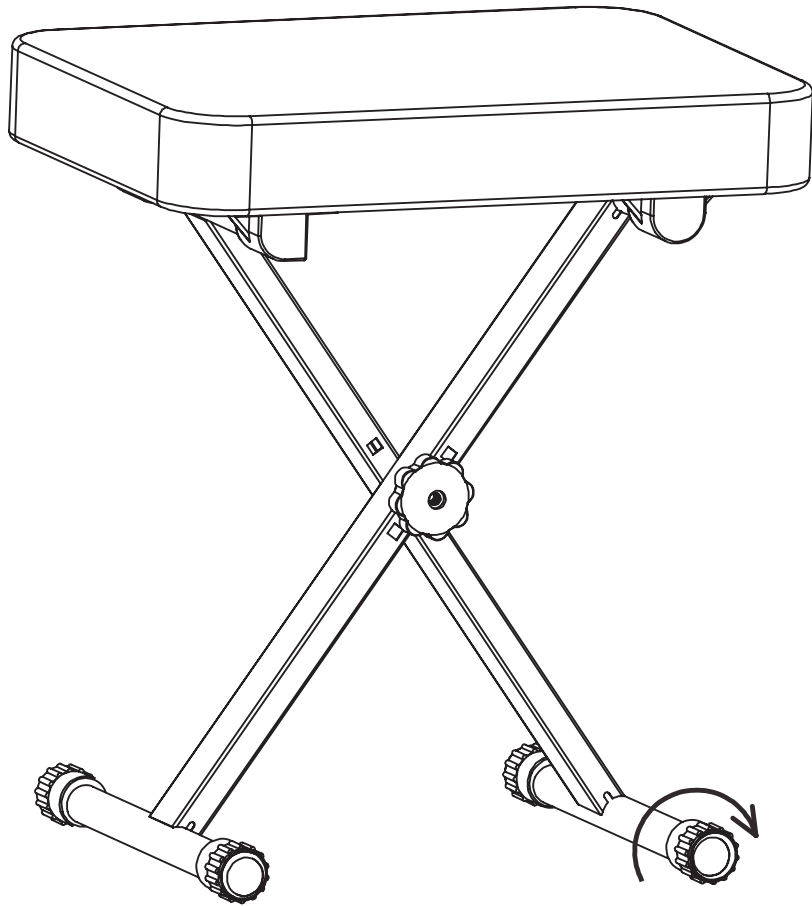
Step 2



NOTE:

1. For height adjustment, remove the knob. Align holes in tubes to a new desired position, reinsert the knob and tighten it clockwise.
2. Height adjustment: 18.7/20.28/21.06 inches.

Step 3



NOTE: Adjust by rotating the rubber sleeves clockwise or counterclockwise.