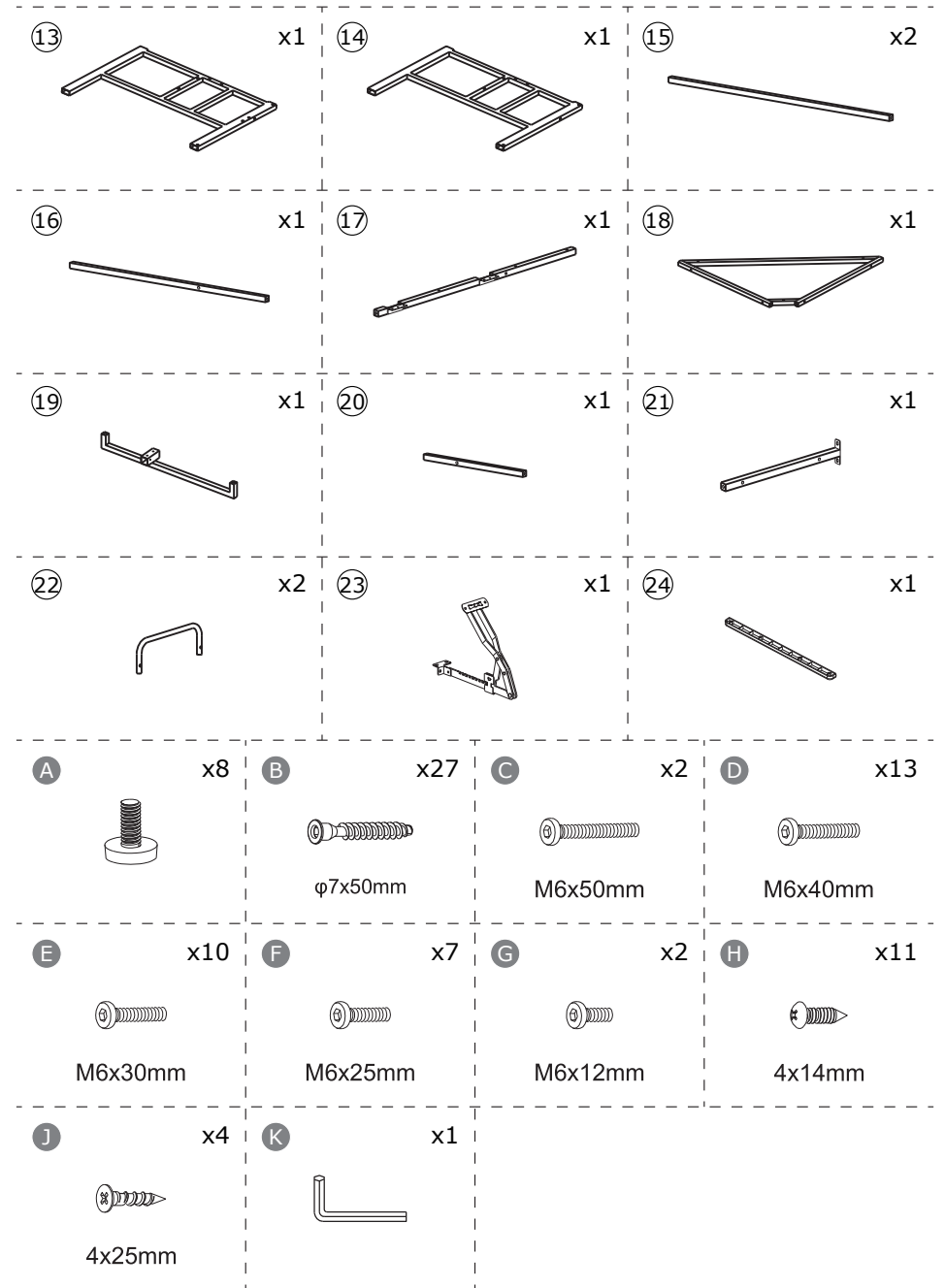
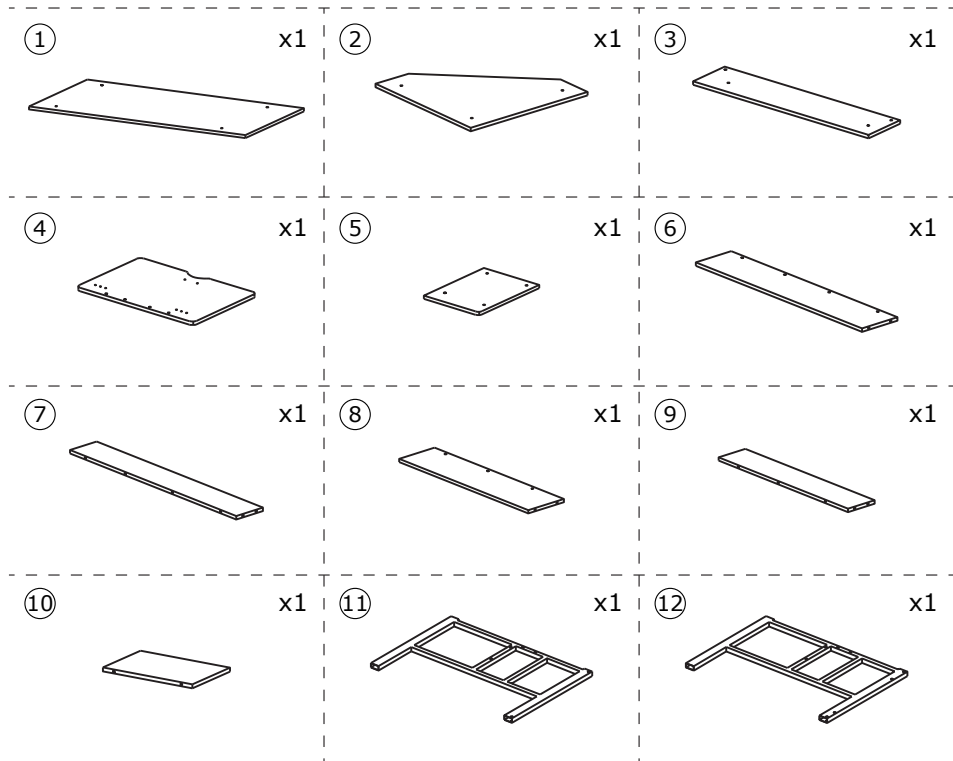
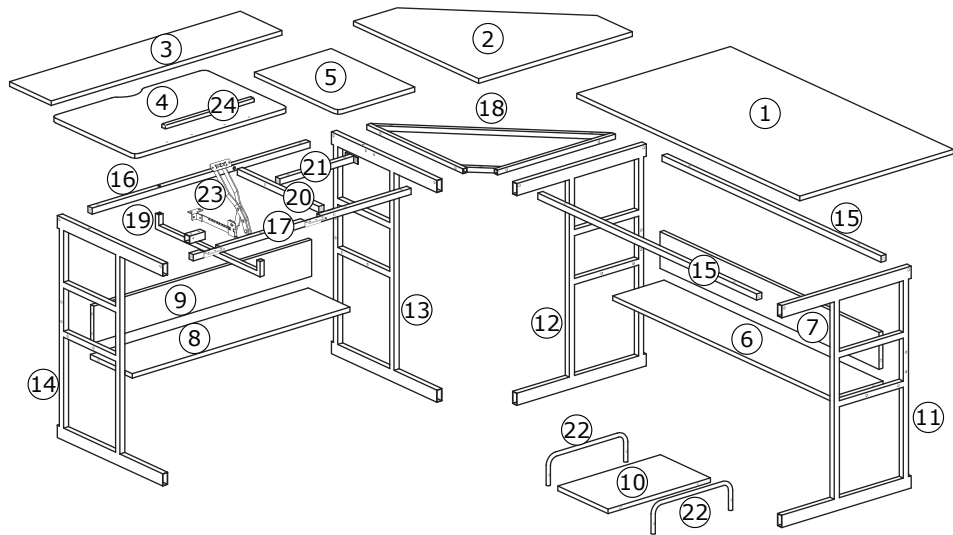


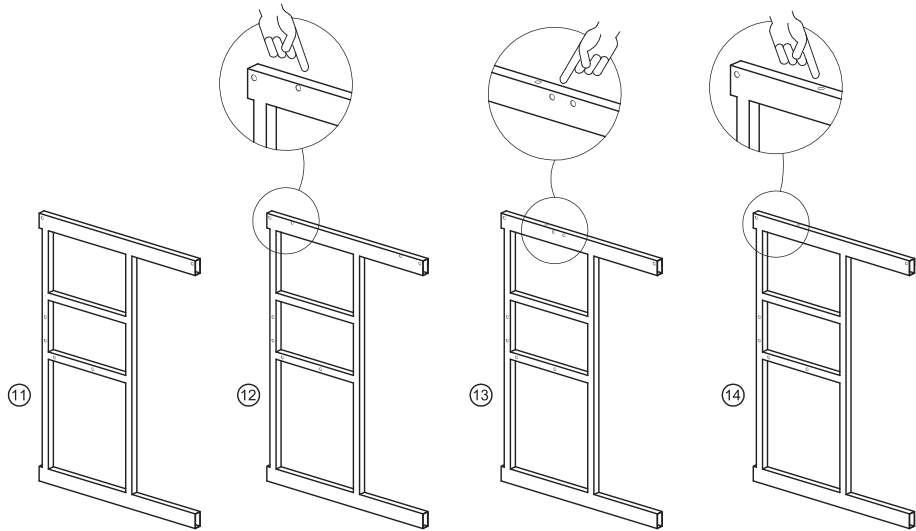
USER'S MANUAL

5-Piece Dining Table Set with 4 Bar Stools

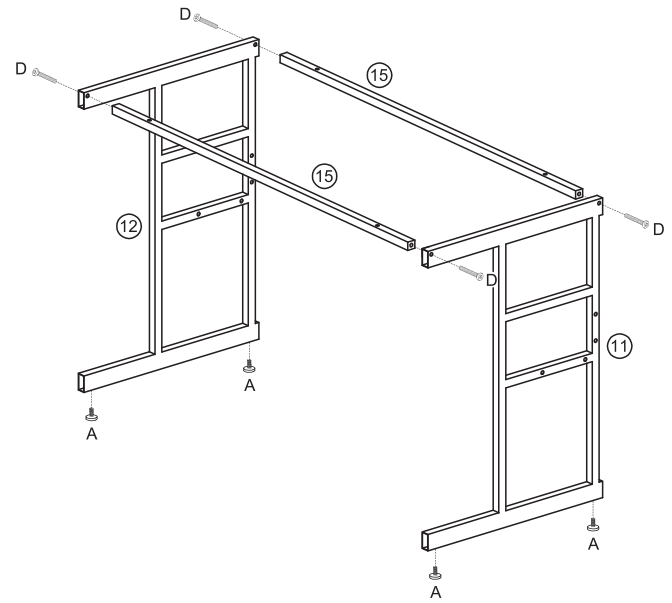
THIS INSTRUCTION BOOKLET CONTAINS **IMPORTANT** SAFETY INFORMATION. PLEASE READ AND KEEP FOR FUTURE REFERENCE.



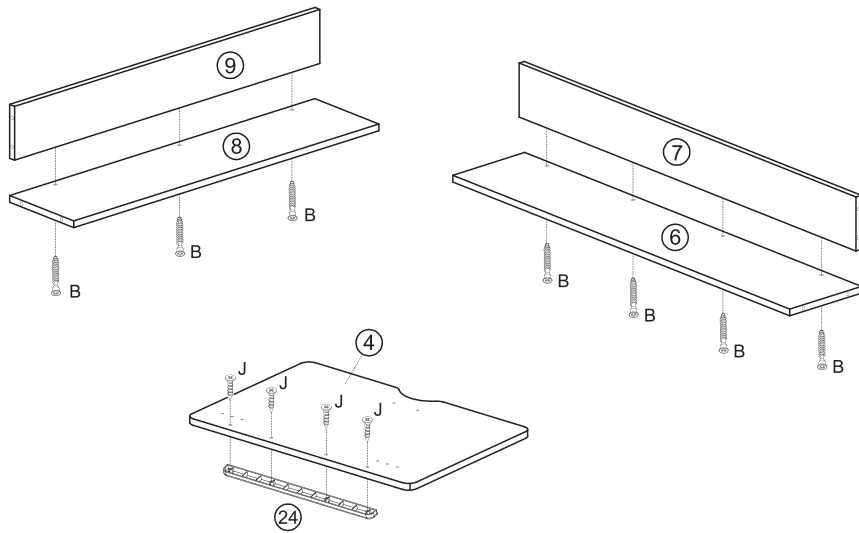
1



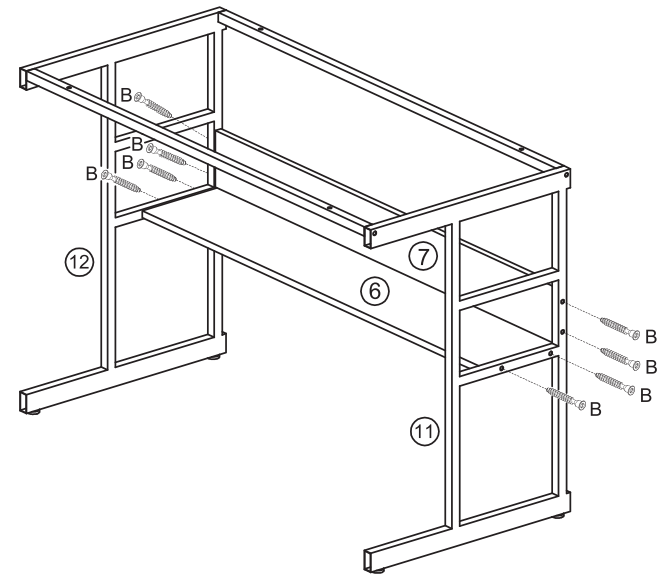
3



2



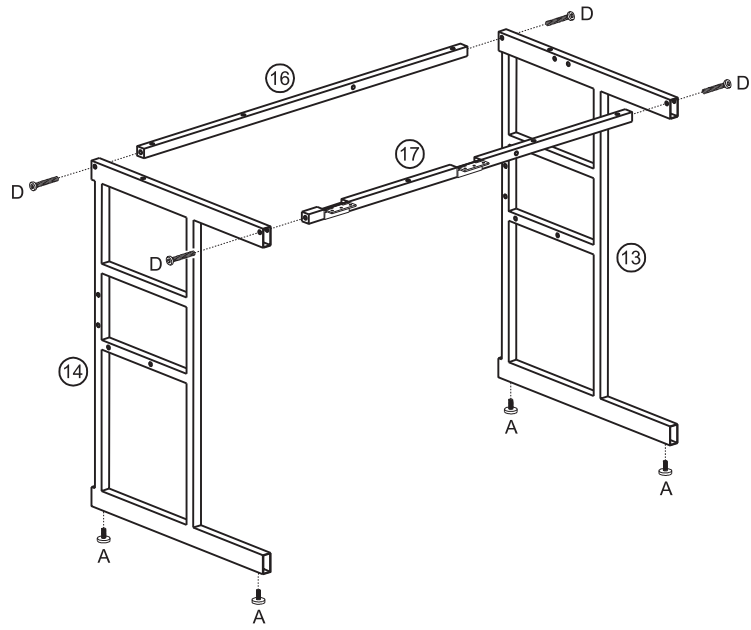
4



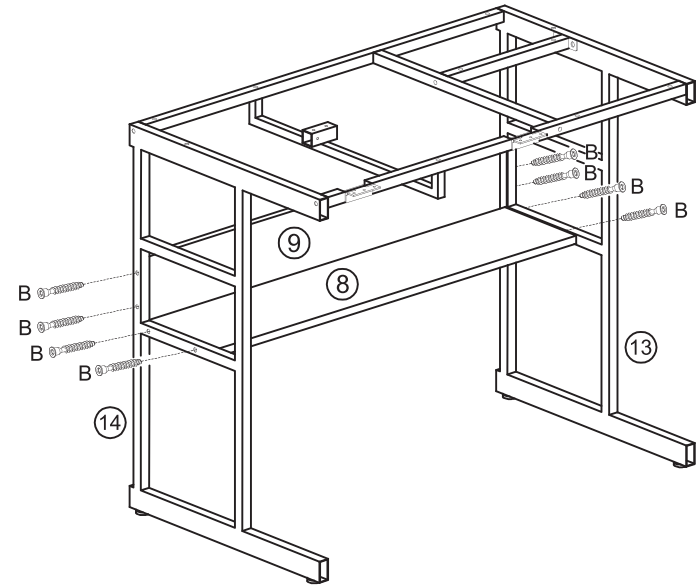
04

05

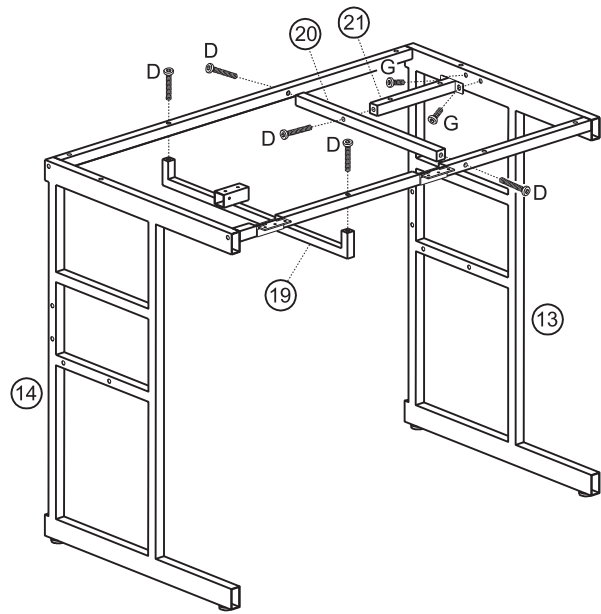
5



7

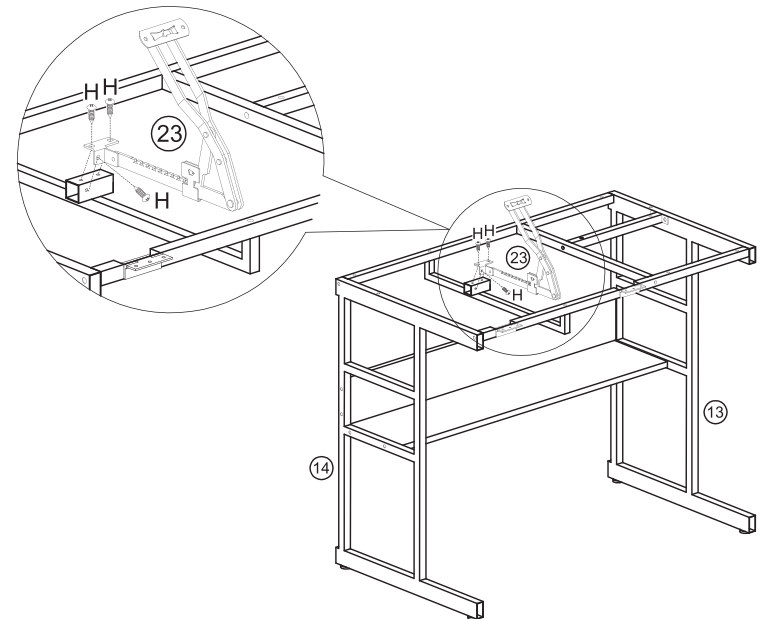


6



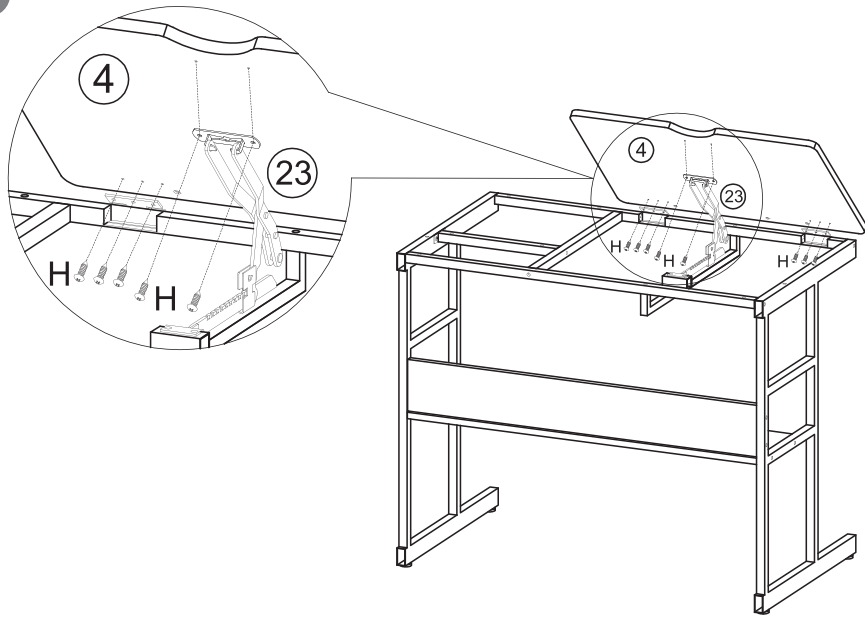
06

8

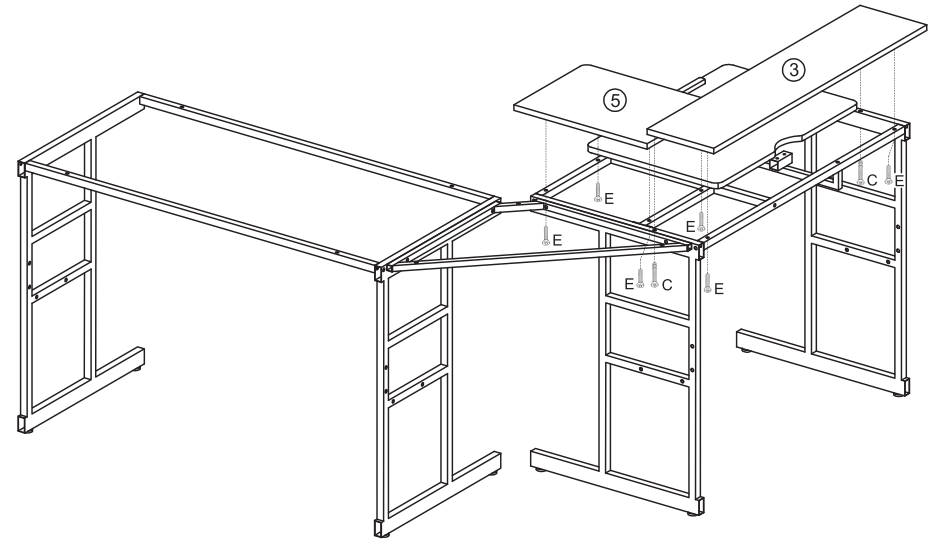


07

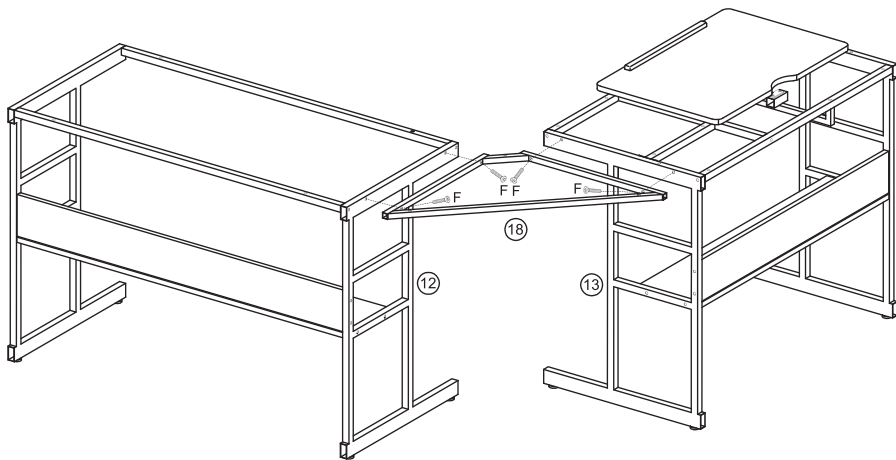
9



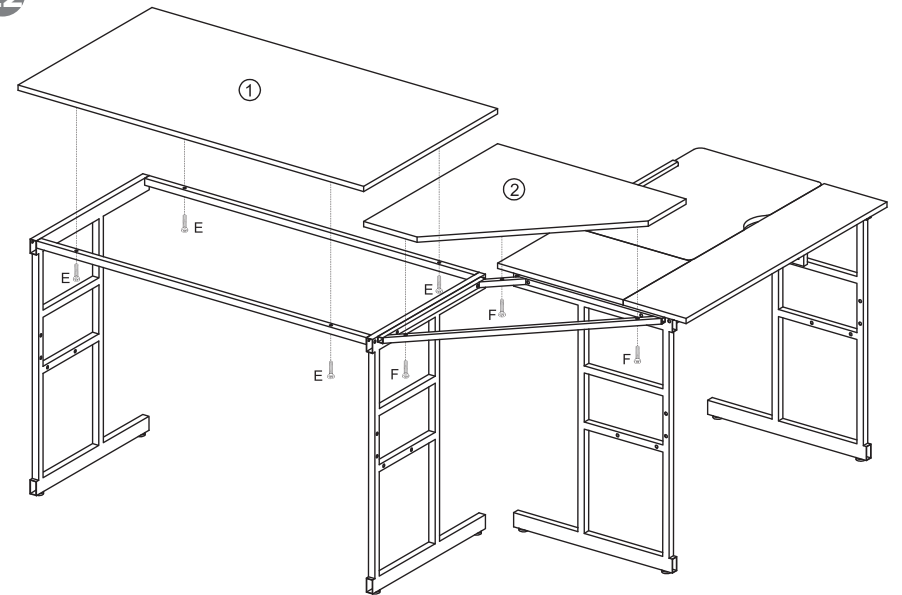
11



10



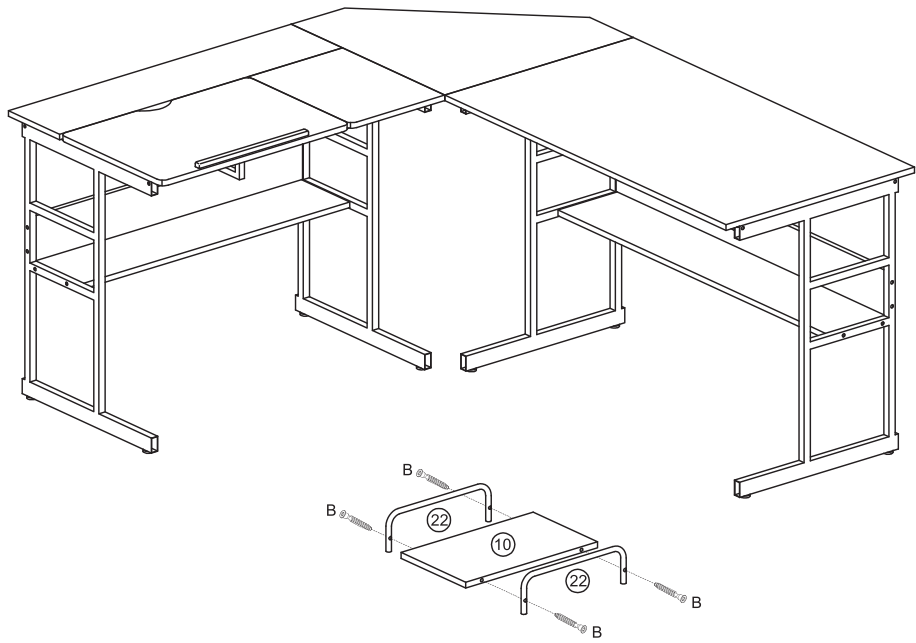
12



08

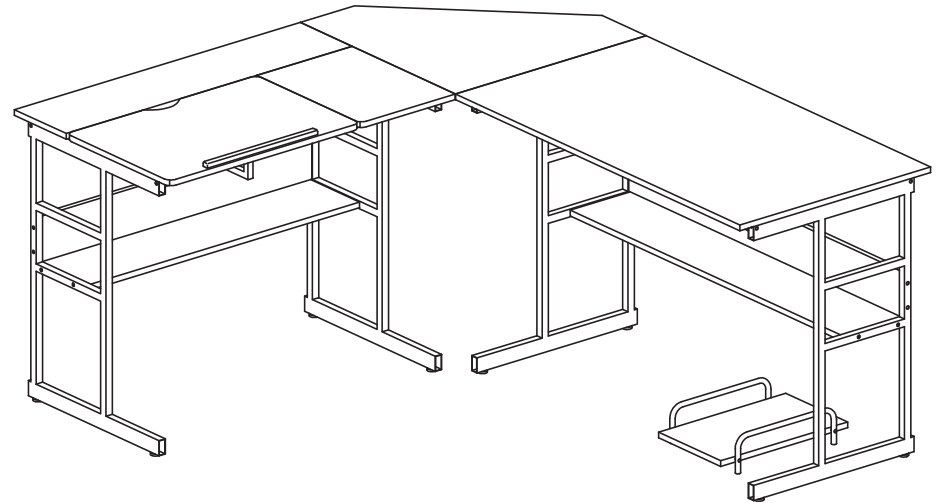
09

13



10

14



11