

# METAL AND MARBLE CONSOLE TABLE

Assembly Instructions



Every thing we make is incredibly simple to set up, including your new Console Table. You won't need any addition tools.

## Parts List

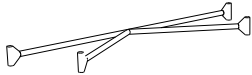
A x 1  
Top Frame



B x 4  
Leg



C x 1  
Shelf



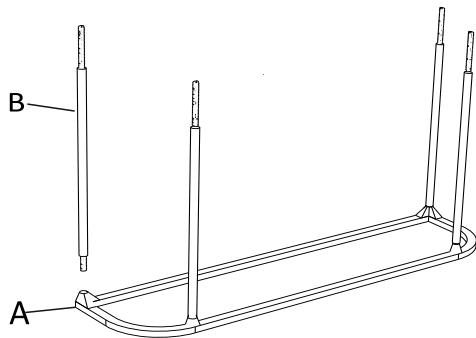
D x 4  
Feet



E x 1  
Marble Top

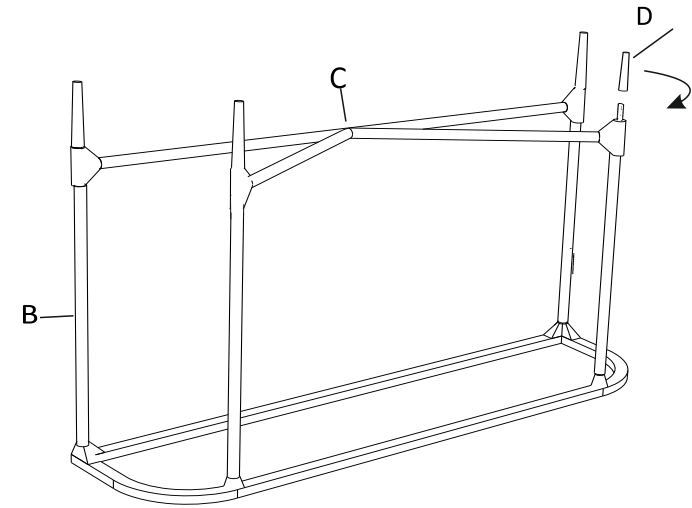


1  
Place the Top Frame (A) upside down on a soft and clean surface. Screw all the Legs (B) into the screw holes on the Top Frame (A). Do not over tighten.



2

Attach the Shelf (C) onto the Leg (B). Screw the Feet (D) in a clockwise direction in to the Legs (B).



3

Turn the table upright. Place the Top Marble (E) onto the Top Frame (A). This product may require periodic tightening. Place the console table in the place where you will use it. We'd love to see it.

