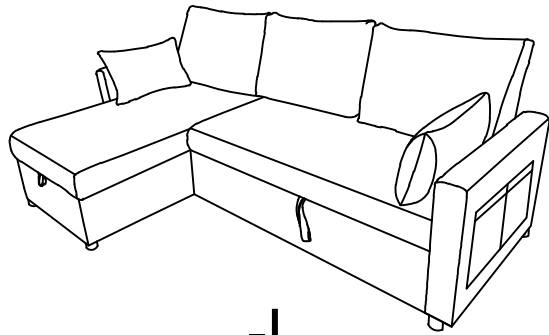
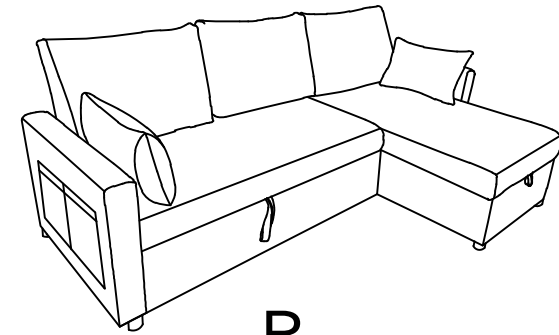


ASSEMBLY INSTRUCTION

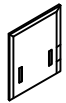
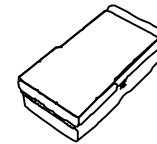
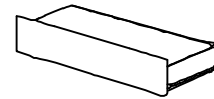
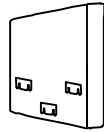
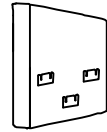
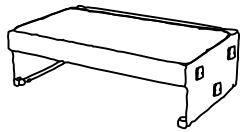


-L



-R

PARTS LIST



A

x1

B

x1

C

x1

D

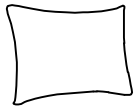
x1

E

x1

F

x3



G

x2

H

x3

HARDWARE LIST



1

x8

2

x1

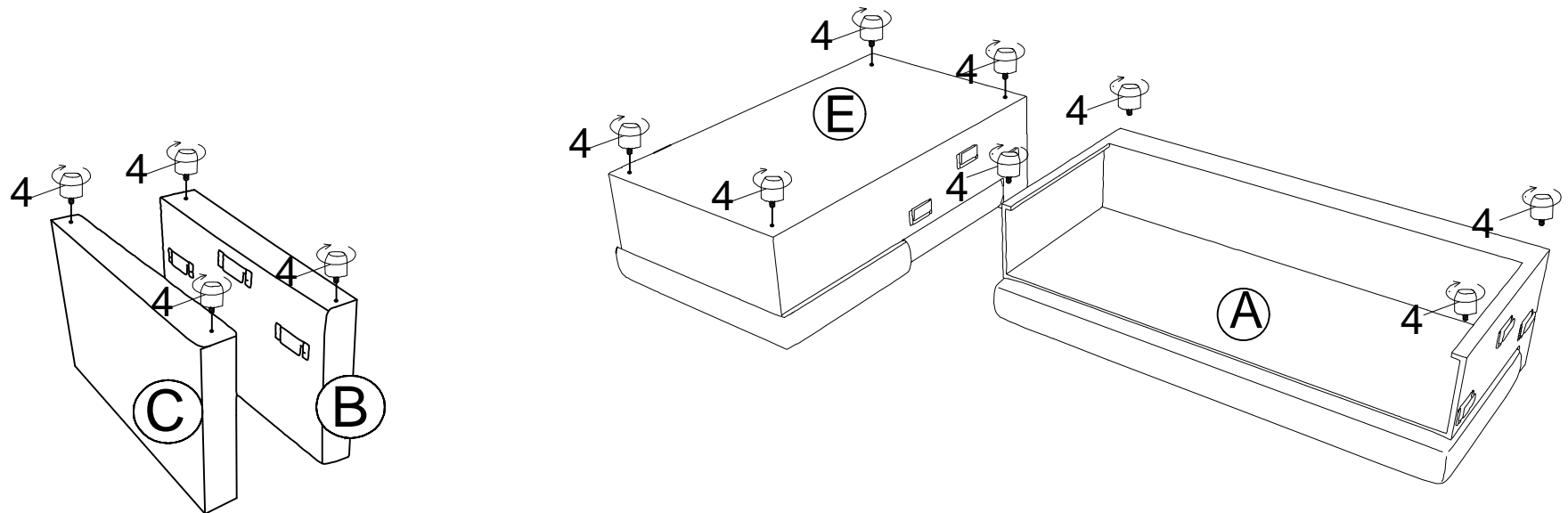
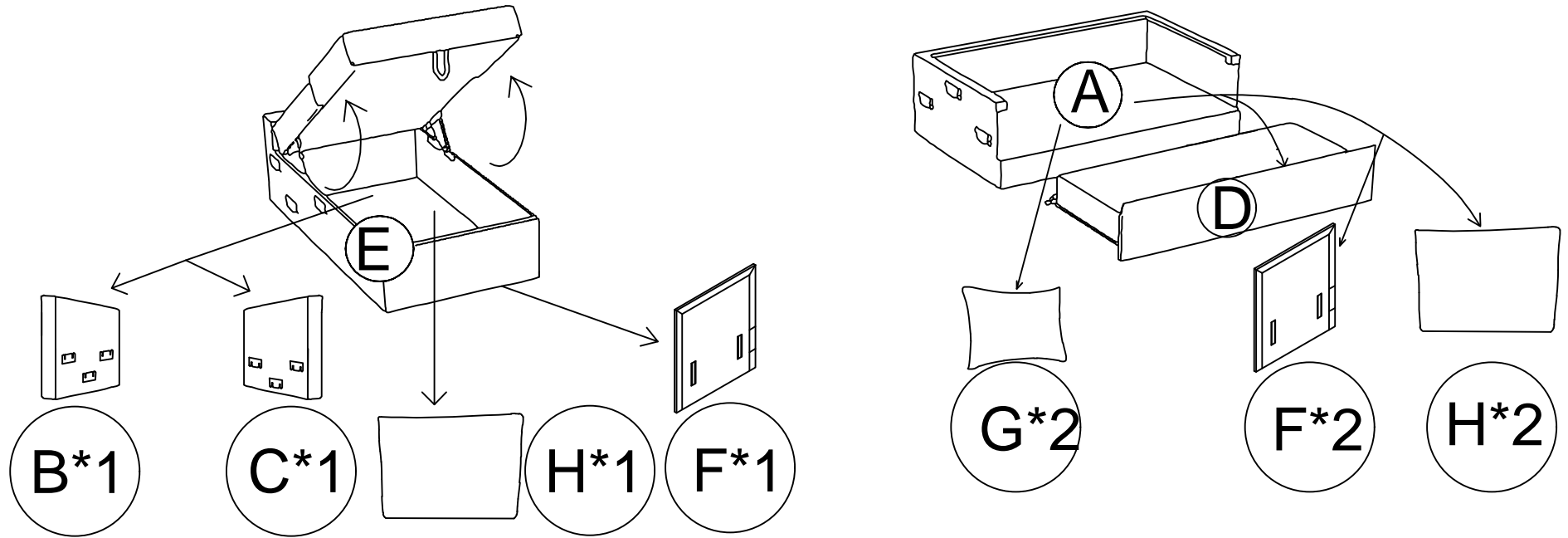
3

x4

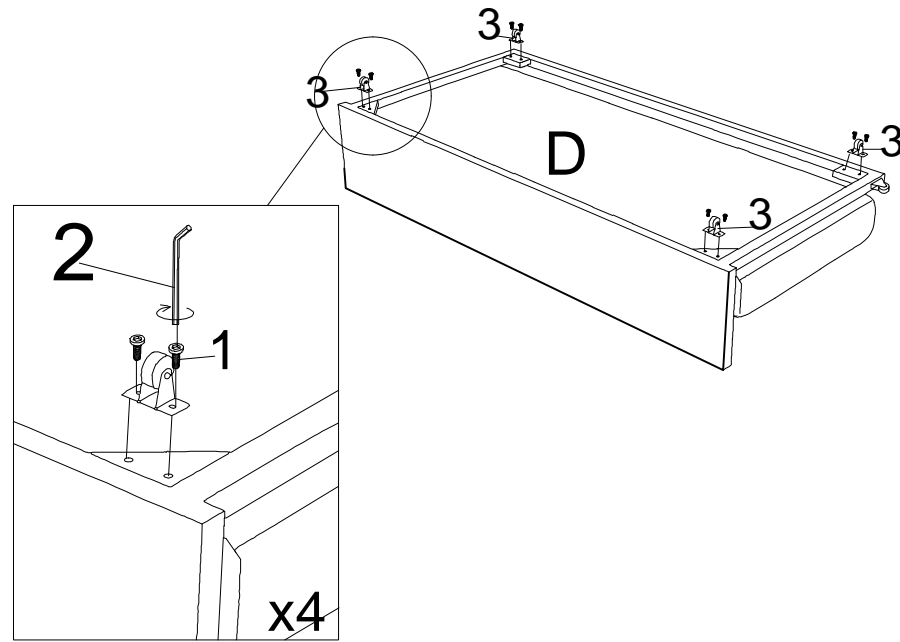
4

x12

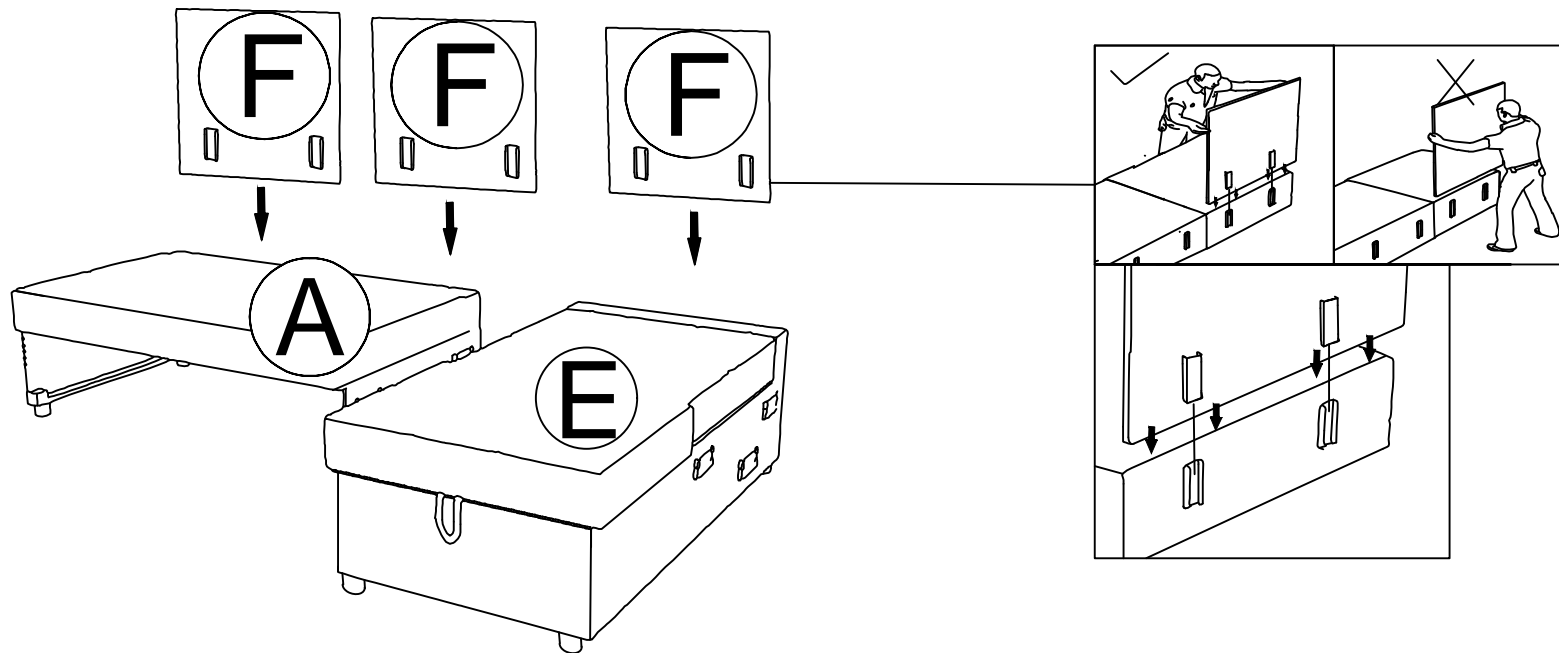
Step1



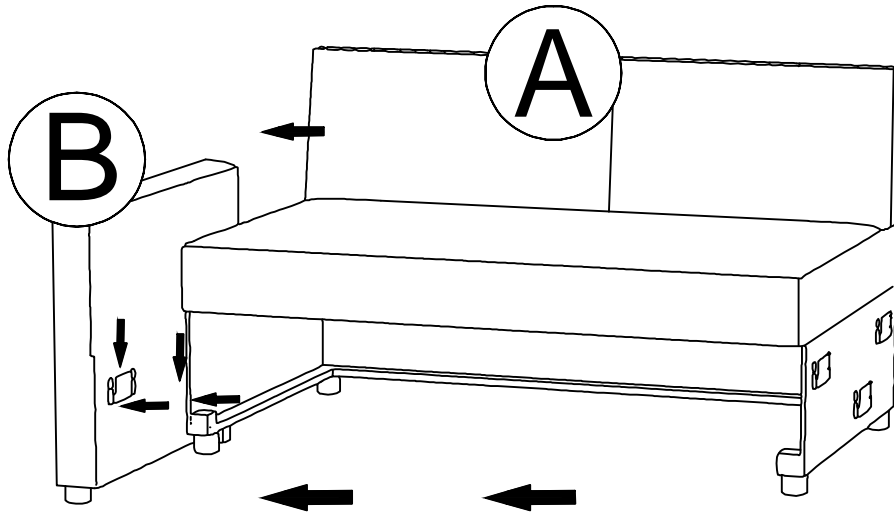
Step2



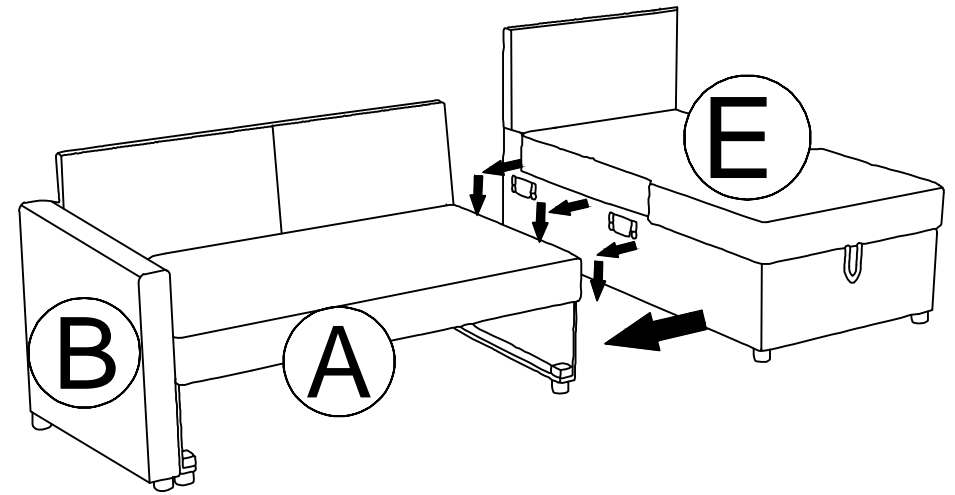
Step3



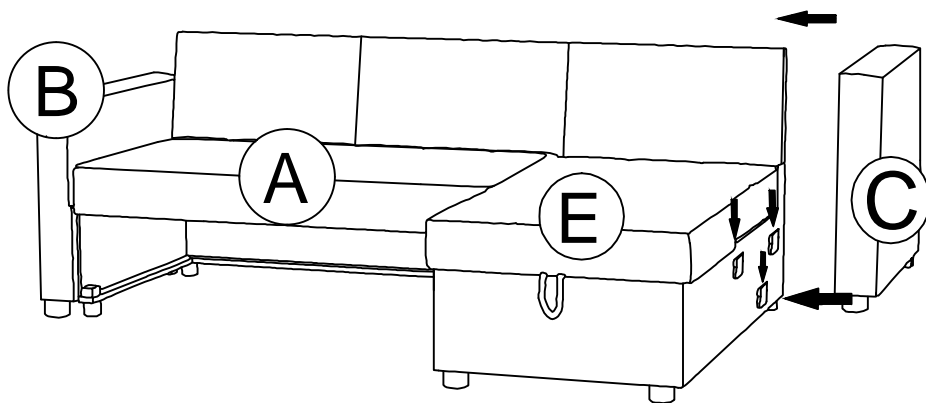
Step4-R



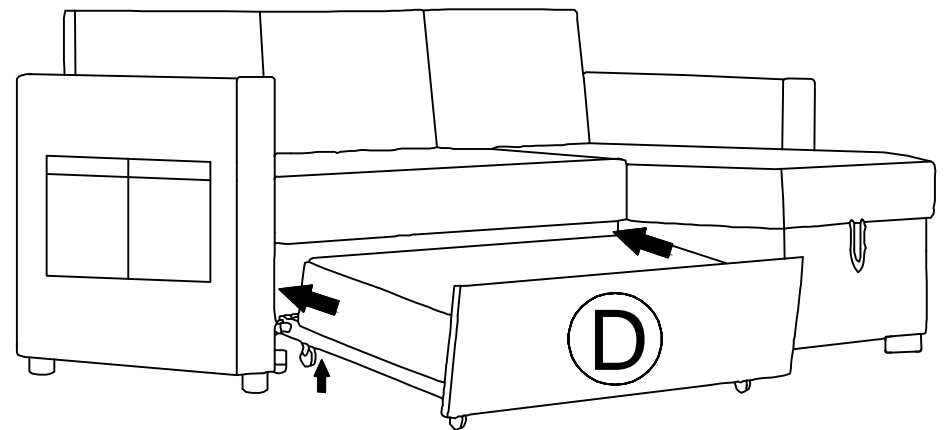
Step5-R



Step6-R

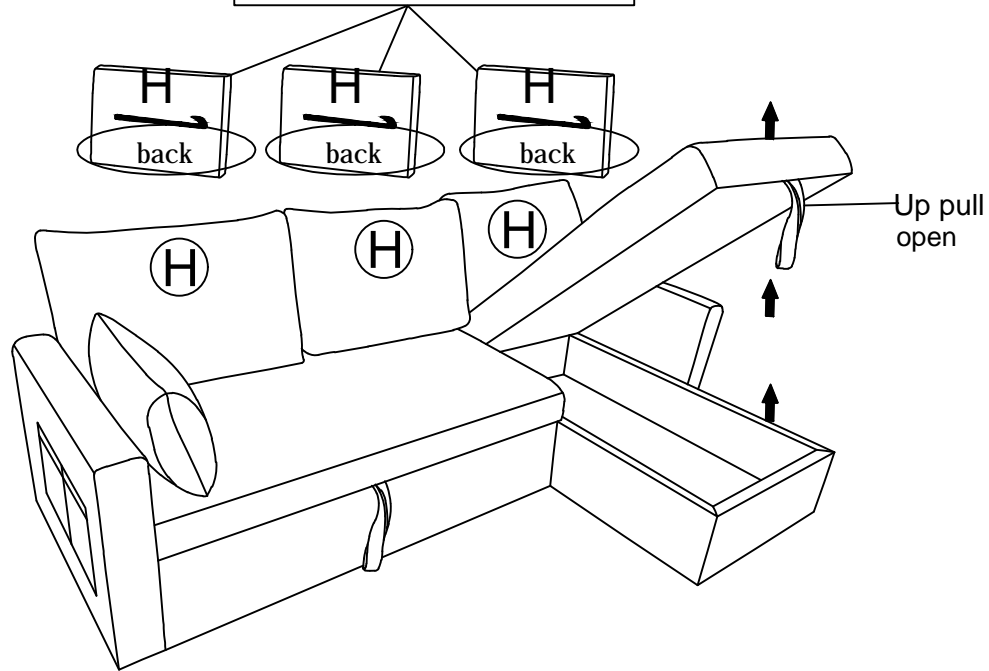


Step7-R

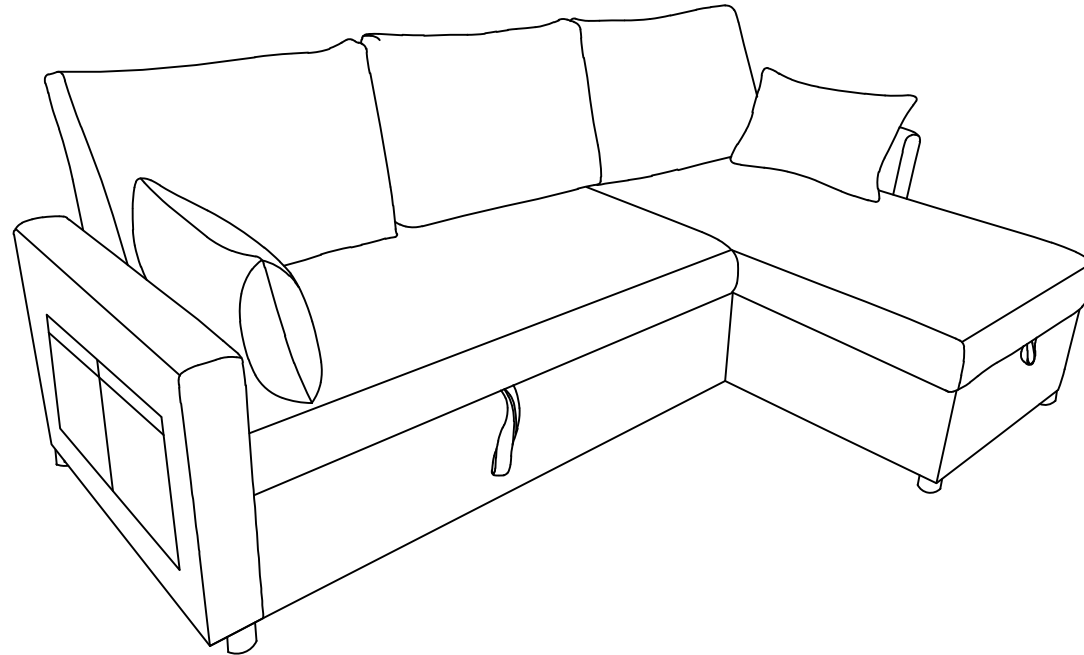
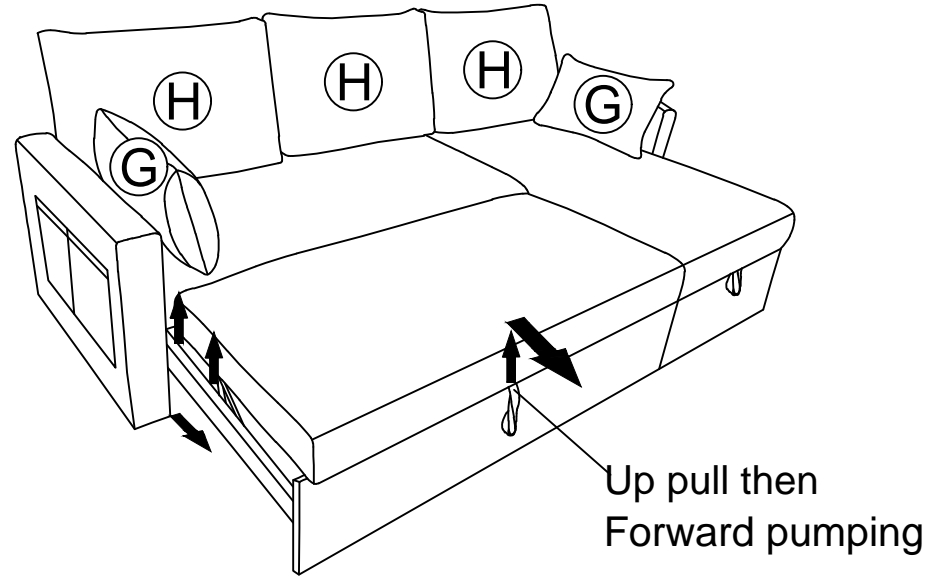


Step8R

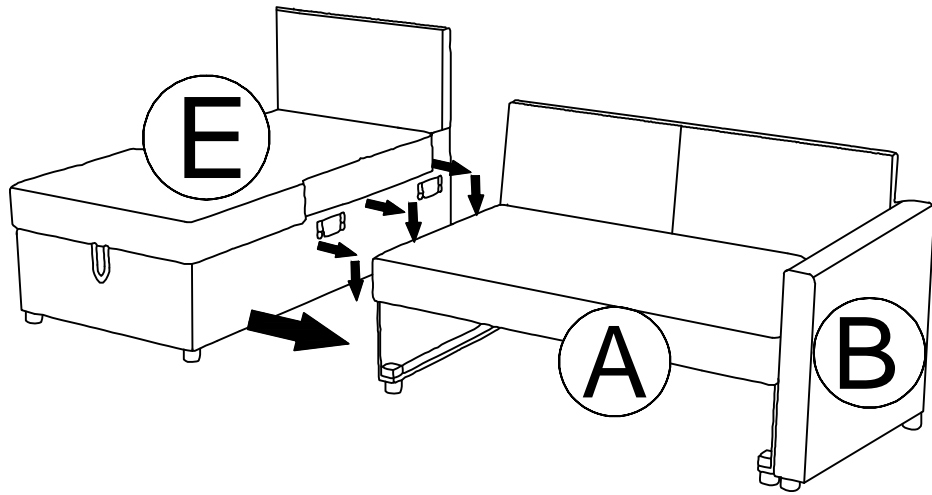
Please kindly remove the black cover tape from the velcro before you place the cushion on top.



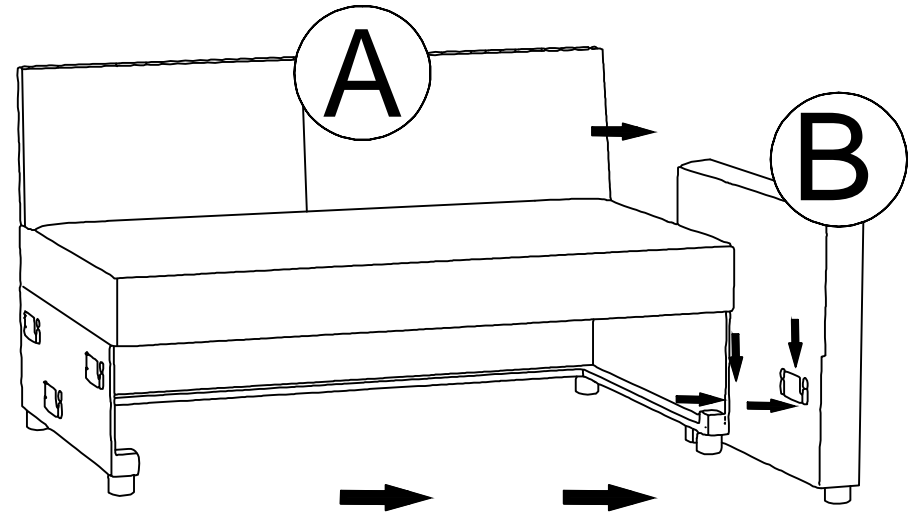
Step9-R



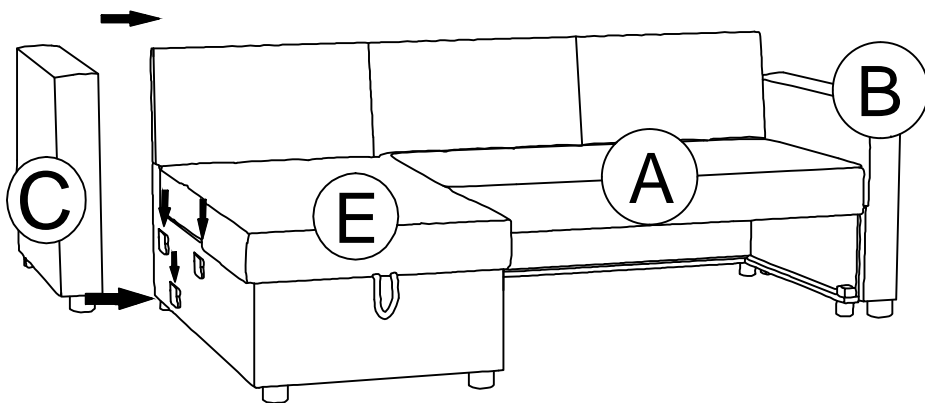
Step10-L



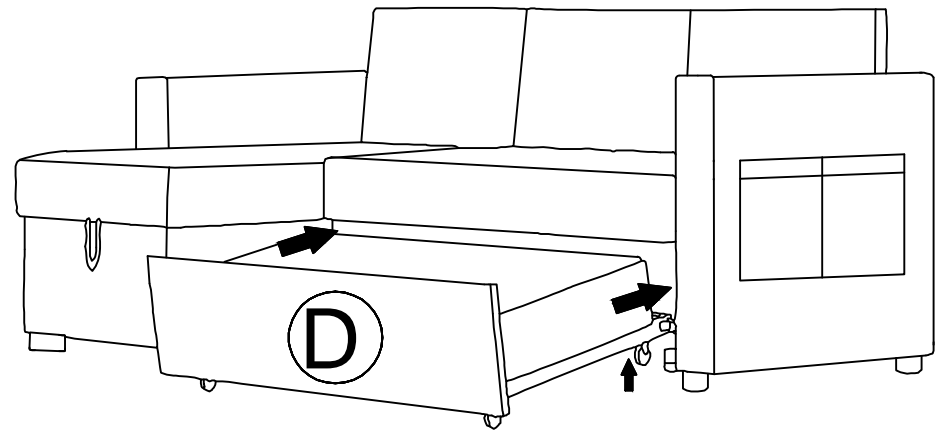
Step11-L



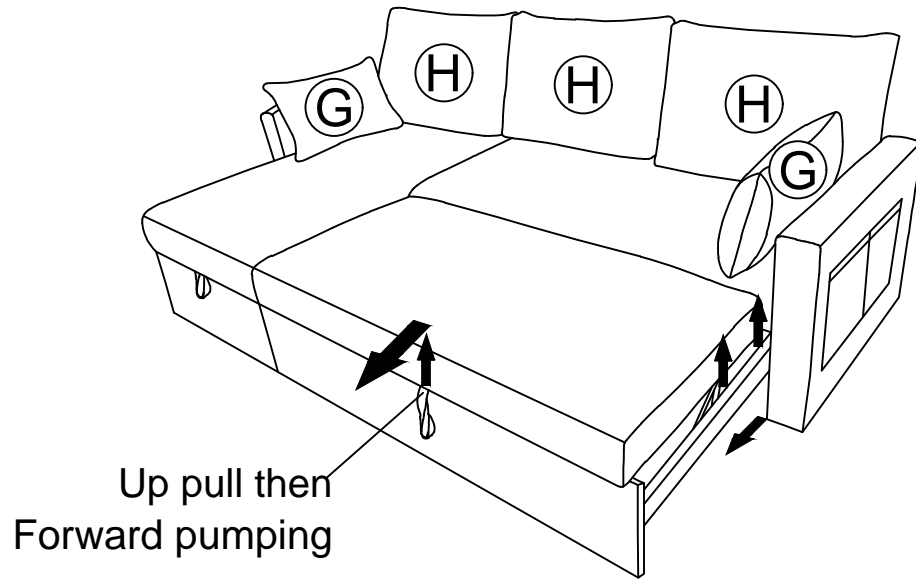
Step12-L



Step13-L



Step14-L



Step15-L

