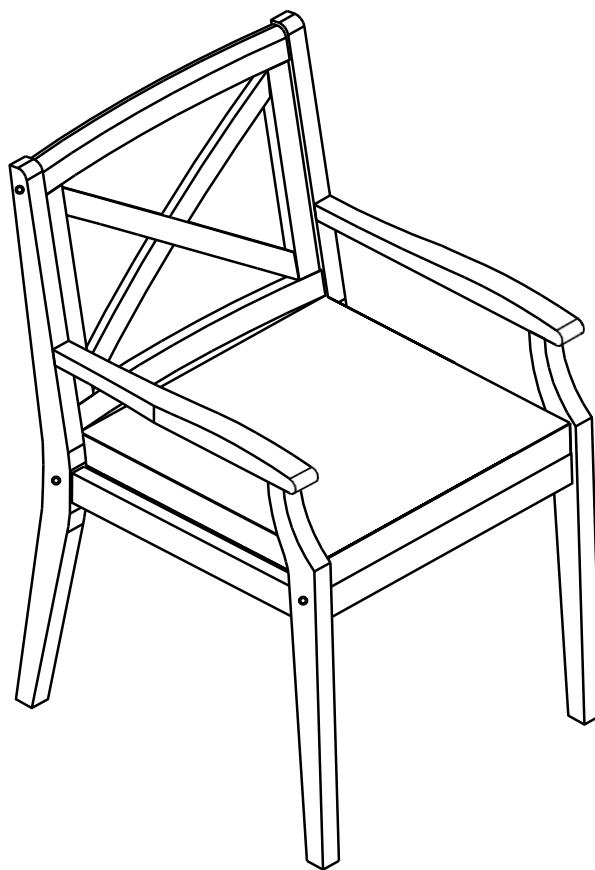


# Assembly Instructions

**Caution: You must read this before you proceed**

## CHAIR

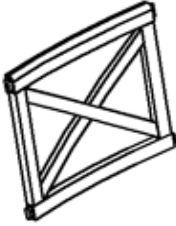


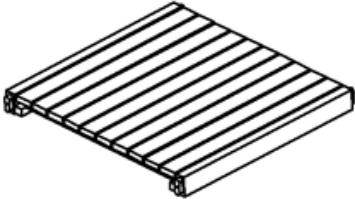
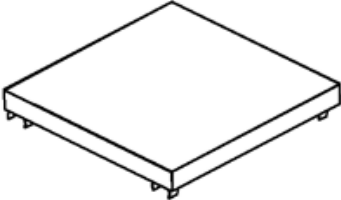


**CAUTION :** This Chair is NOT a TOY.



Keep your child / children at bay during the assembly process.

For turning the Chair and to prevent damage to the Chair, 02 persons may be needed to execute this action.

## Parts List

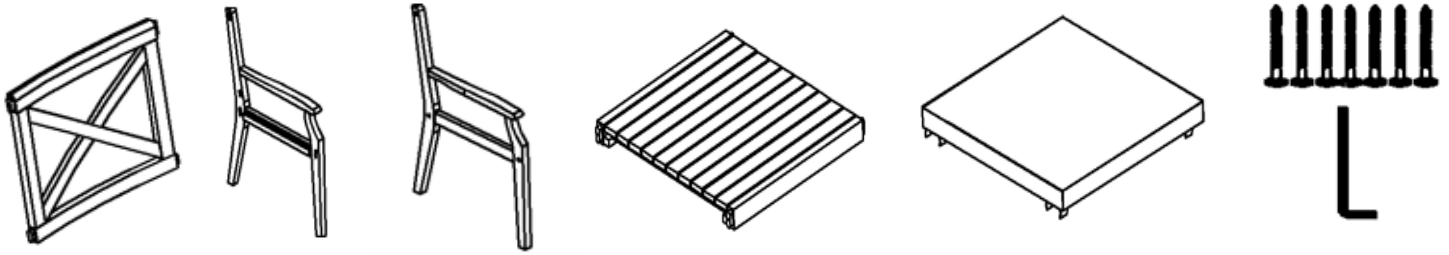
No.	Picture	Description	QTY
A		Backrest Panel	1
B		Right Leg Panel	1
C		Left Leg Panel	1
D		Seat Panel	1
E		Seat Cushion	1

## Hardware

No.	Picture	Description	QTY
①		Allen Key	1
②		Screw (M6*60mm)	7

# Assembly Preparation

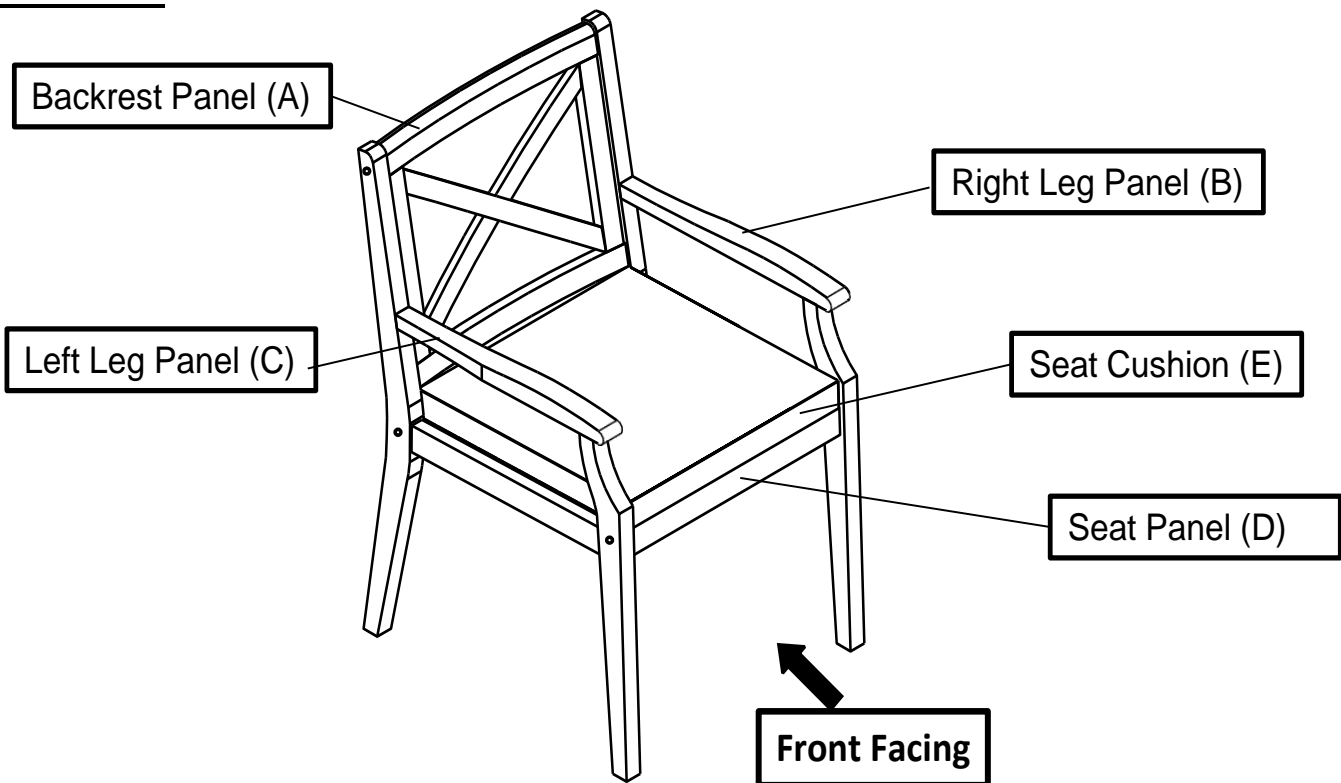
Before Beginning Assembly:



- Read instructions, cover to cover-
- Have 2 adults on hand for assembly-
- Do not assemble on flooring or carpet-
- Assemble on a clean non-marring surface (packing foam)-
- Save all packaging until finished-

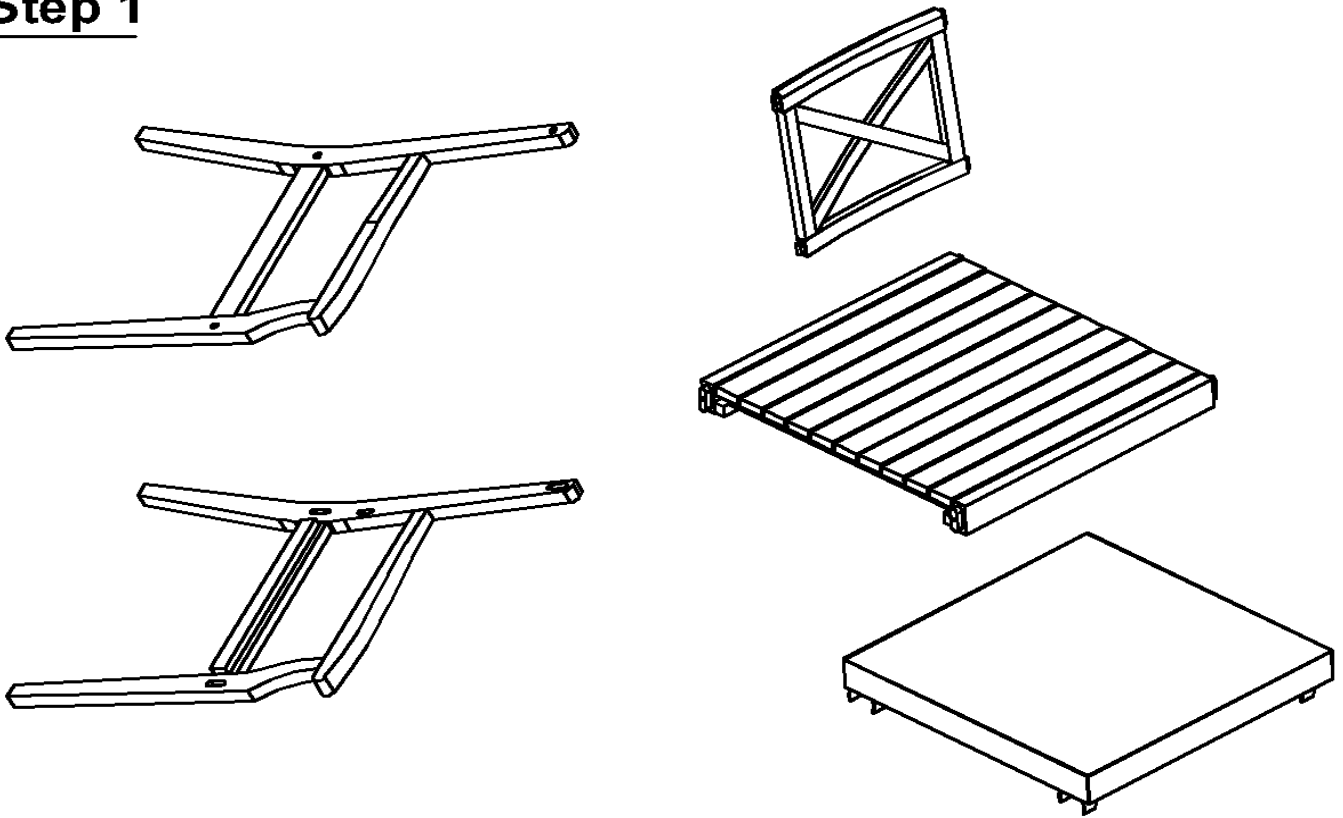
# Assembly Steps

## Overview



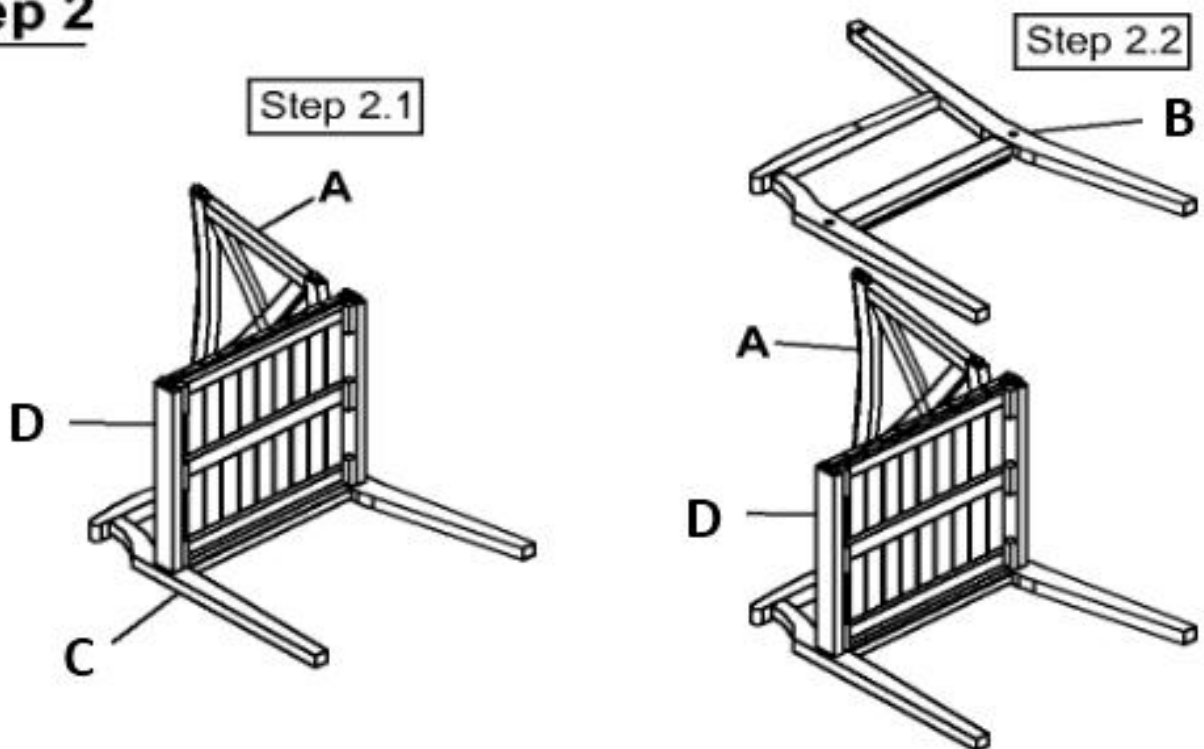
This Chair has multiple parts and may require up to 30 minutes to assemble. To give you an overview of the Chair parts, the above picture is to help you put the various parts into perspective. Please read through the instructions below to familiarise yourself with the parts and steps before assembly.

## Step 1



Unpack and place all parts on a clean, non-marring surface.

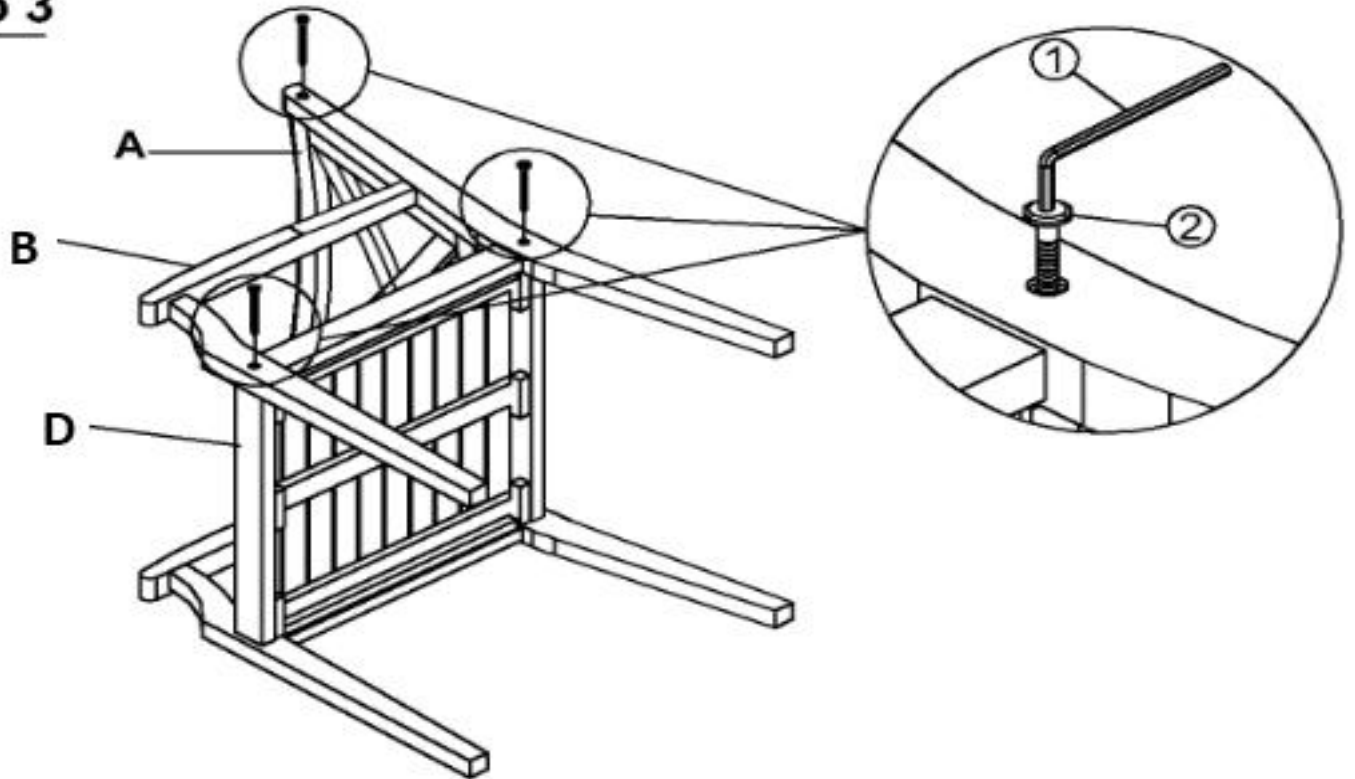
## Step 2



**2.1)** Align Backrest Panel (A) and Seat Panel (D) onto Left Leg Panel (C) as shown above.

**2.2)** Align Right Leg Panel (B) onto Backrest Panel (A) and Seat Panel (D) as pictured.

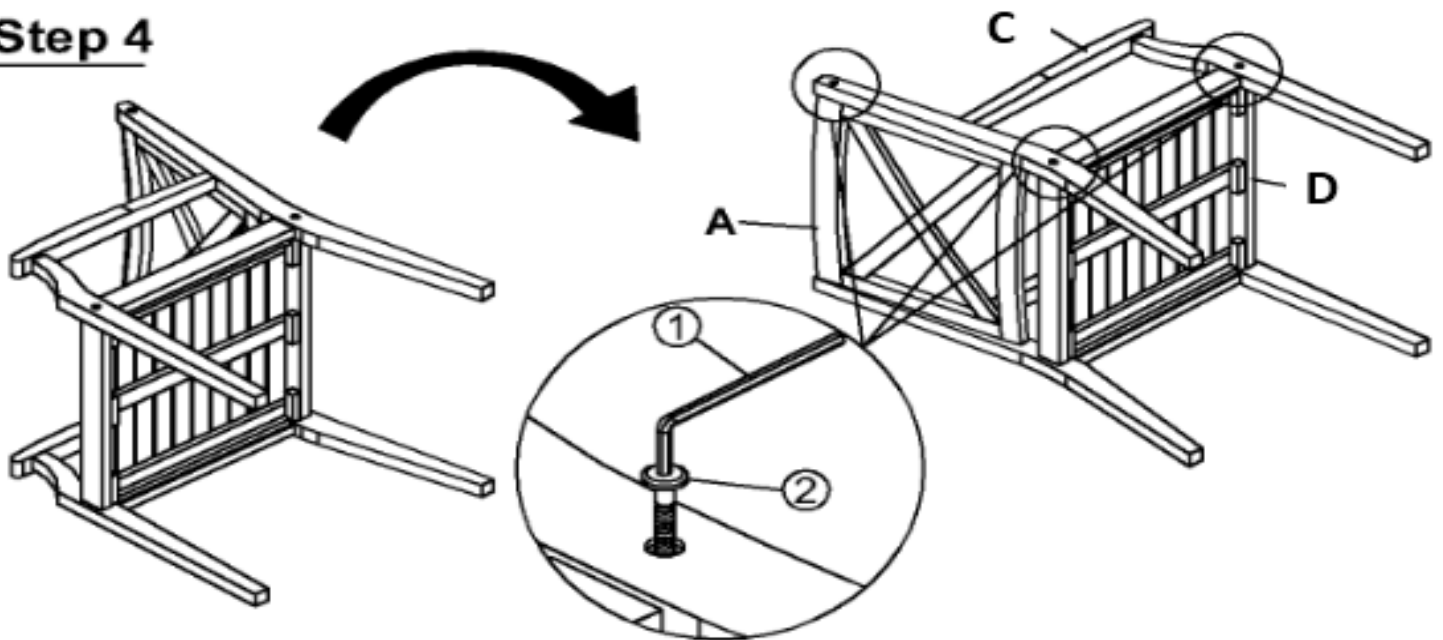
### Step 3



Attach Right Leg Panel (B) to Seat Panel (D) and Backrest Panel (A) by using 3 Screws (②) with Allen Key (①).

**Do not fully tighten the Screws.**

### Step 4

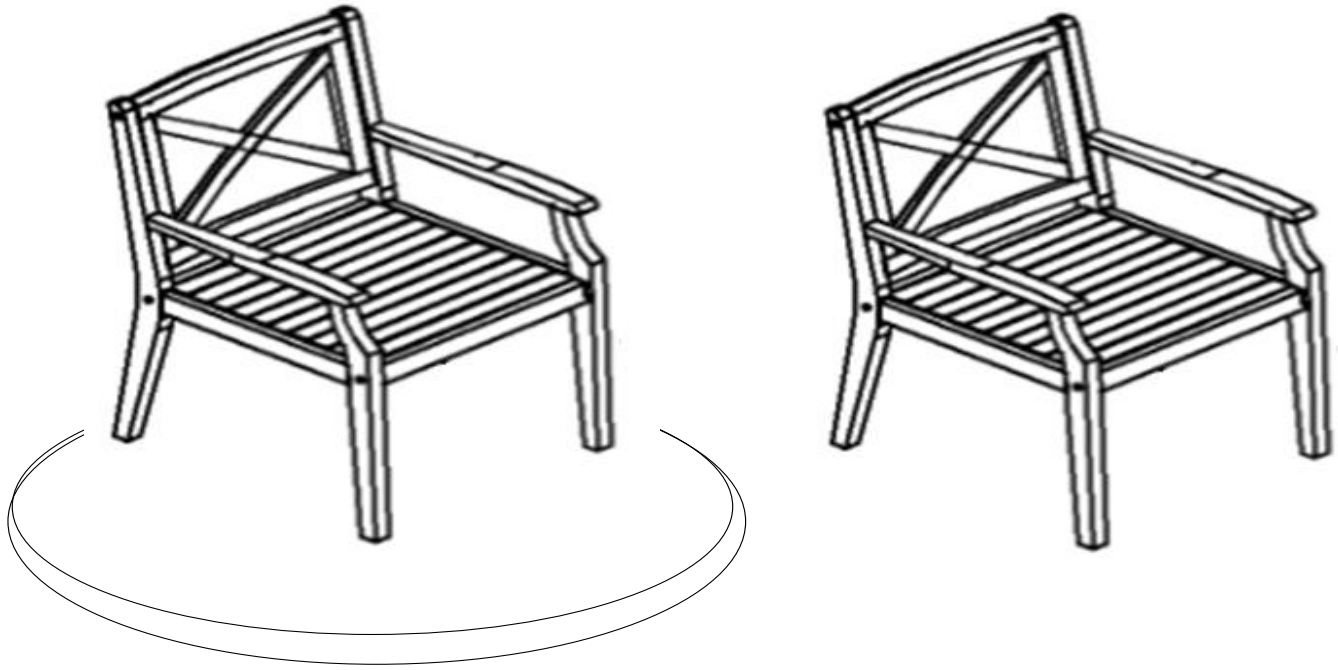


Carefully turn the Chair over.

Attach Left Leg Panel (C) to Seat Panel (D) and Backrest Panel (A) by using 3 Screws (②) with Allen Key (①).

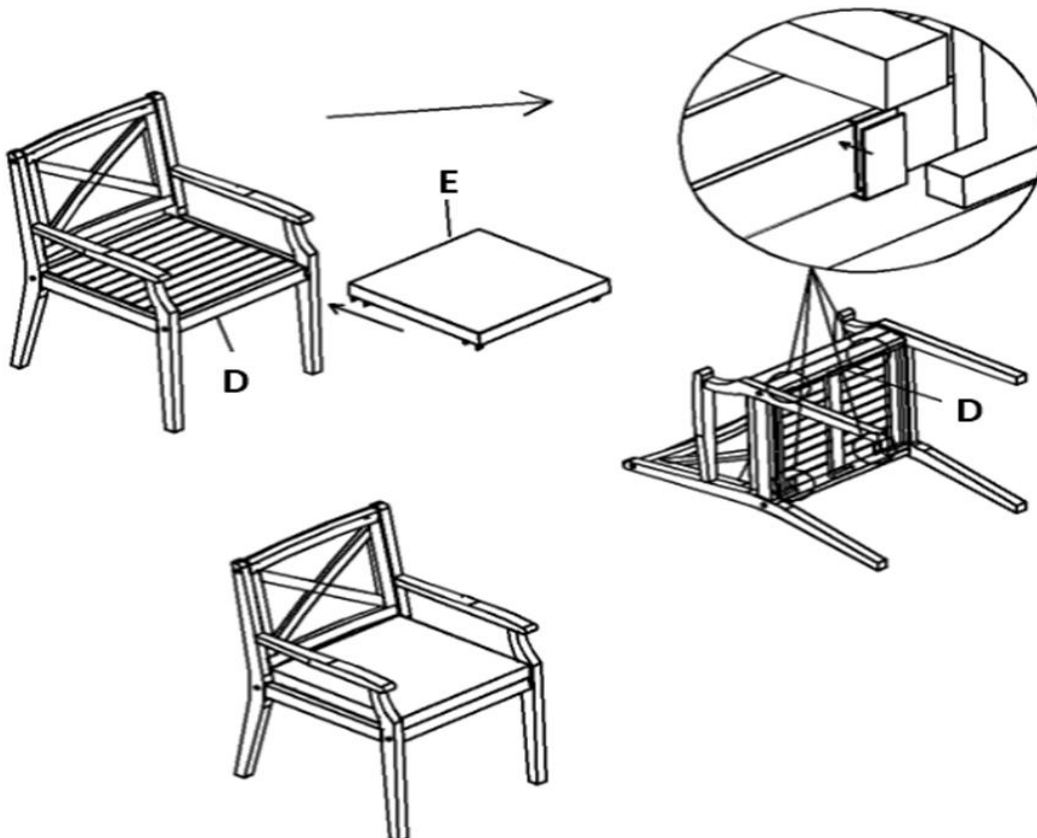
**Do not fully tighten the Screws.**

## Step 5












Place the Chair onto a level surface, then carefully sit onto the Chair. This pressure will help the Chair reach full alignment at all joints. **In a sequential manner, gradually tighten all Screws until evenly secured.** Inspect the Chair and make sure all parts are adequately connected.

## Step 6



Place Seat Cushion (E) onto the Chair. Lay the Chair down and tie the velcro straps of the Cushion (E) to the Seat Panel (D) as shown above. Your Chair is ready for use. **This Chair can only be used on a flat, level surface.**

## Care & Maintenance

- ⊗  ● Do not put hot items directly on furniture surface.
  - ⊗  ● Do not clean furniture with harsh cleansers or polish.
  - ✓  ● To obtain the longest lifespan of your outdoor products, minimizing exposure to direct sunlight is recommended.
  - ⊗  ● Children should not climb or jump on the furniture.
  - ⊗  ● Do not write on furniture without a padded barrier to protect the surface.
  - ✓  ● To obtain the longest lifespan of your outdoor products, avoid extended and lengthy exposure to rain, snow, and direct sunshine. Whenever possible cover the product and /or place under patio or awnings.
  - ⊗  ● Not for commercial use. For residential use only.
  - ⊗  ● Stains may be removed with mild soap solution and damp cloth.
  - ✓  ● Dust and pick-up spills using a clean, non-colored, lint-free cloth .
-