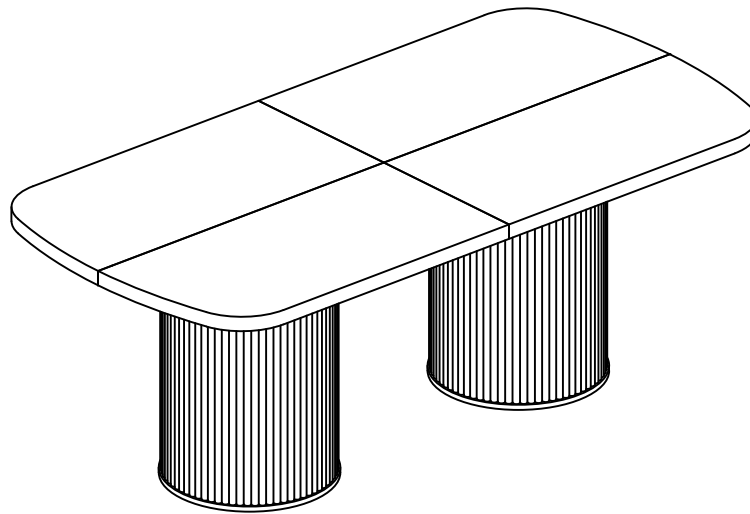









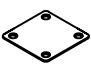
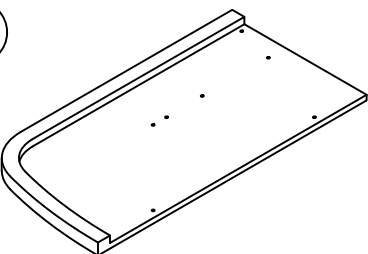
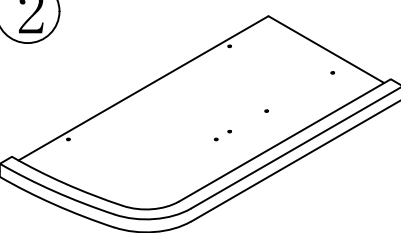
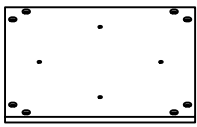


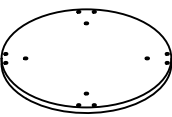
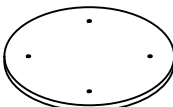
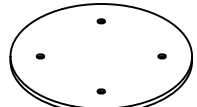
# ASSEMBLY INSTRUCTION

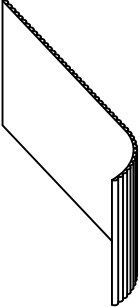

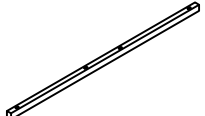


<b>A</b>  6*13 32pcs	<b>B</b>  8*40 8pcs	<b>C</b>  Ø25 12pcs	<b>D</b>  8*18 40pcs	<b>E</b>  M5 1pcs	<b>F</b>  4pcs	<b>G</b>  8*25 24pcs
---	--	--	---	---	---	---

<b>H</b>  8*16 12pcs	<b>I</b>  8*30 8pcs	<b>J</b>  83*83 1pcs
---	--	---

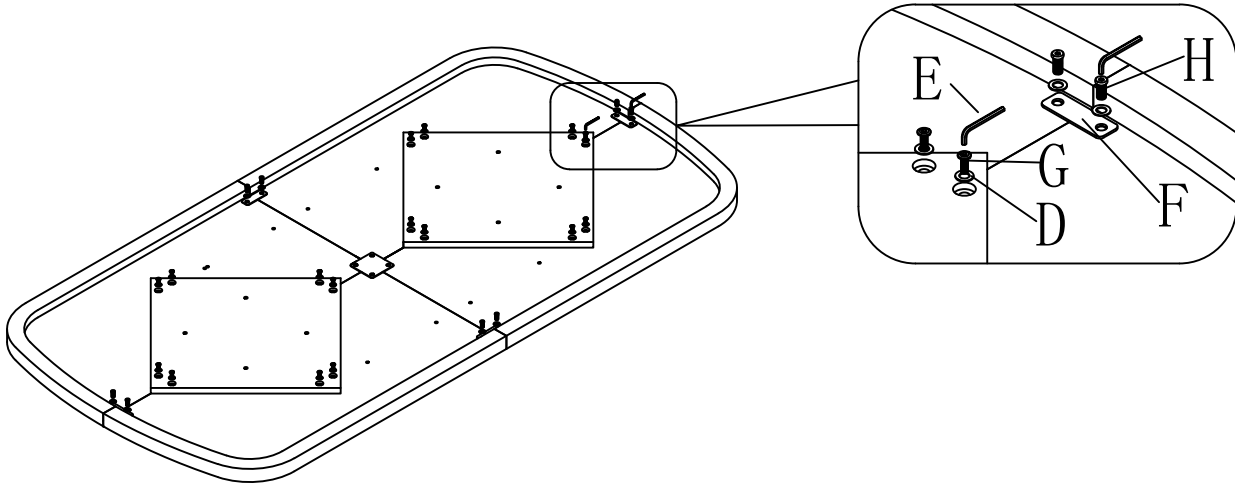
<b>①</b>  2pcs	<b>②</b>  2pcs	<b>③</b>  2pcs
---	--	---

<b>④</b>  2pcs	<b>⑤</b>  2pcs	<b>⑥</b>  2pcs
---	---	---

<b>⑦</b>  2pcs	<b>⑧</b>  8pcs	<b>⑨</b>  2pcs
---	---	---

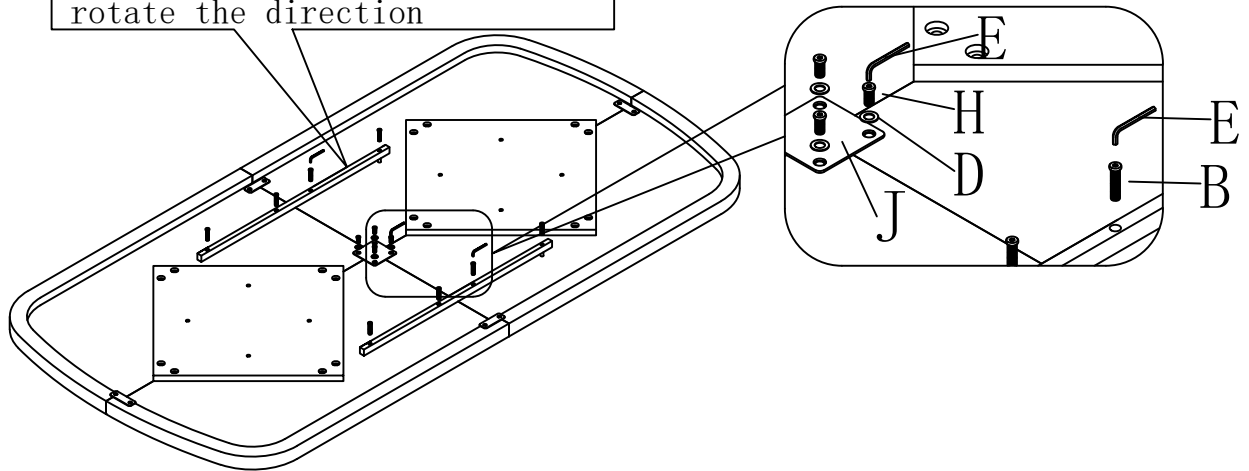
# ASSEMBLY INSTRUCTION

STEP1

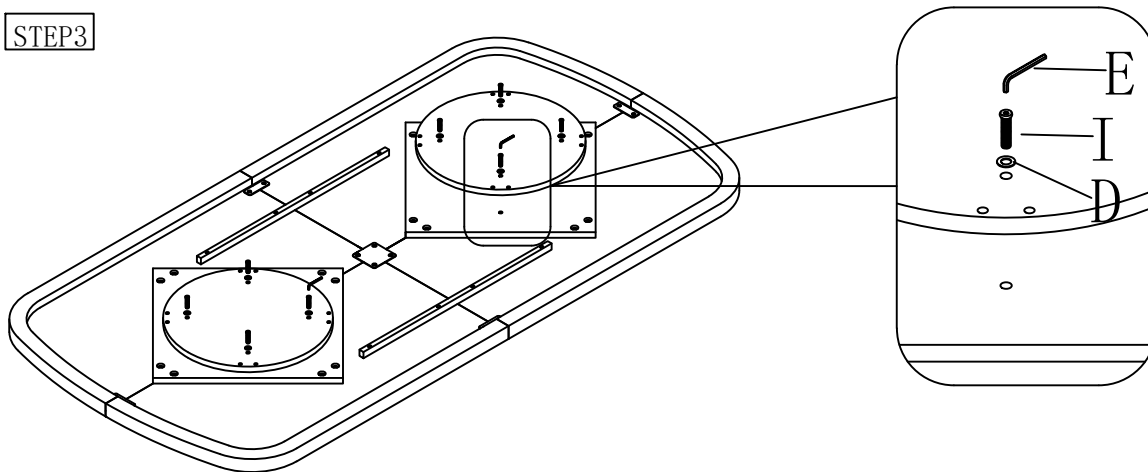


STEP2

Pay attention to the direction of the link bar, the distance between the two sides is different, the installation direction is wrong, please rotate the direction

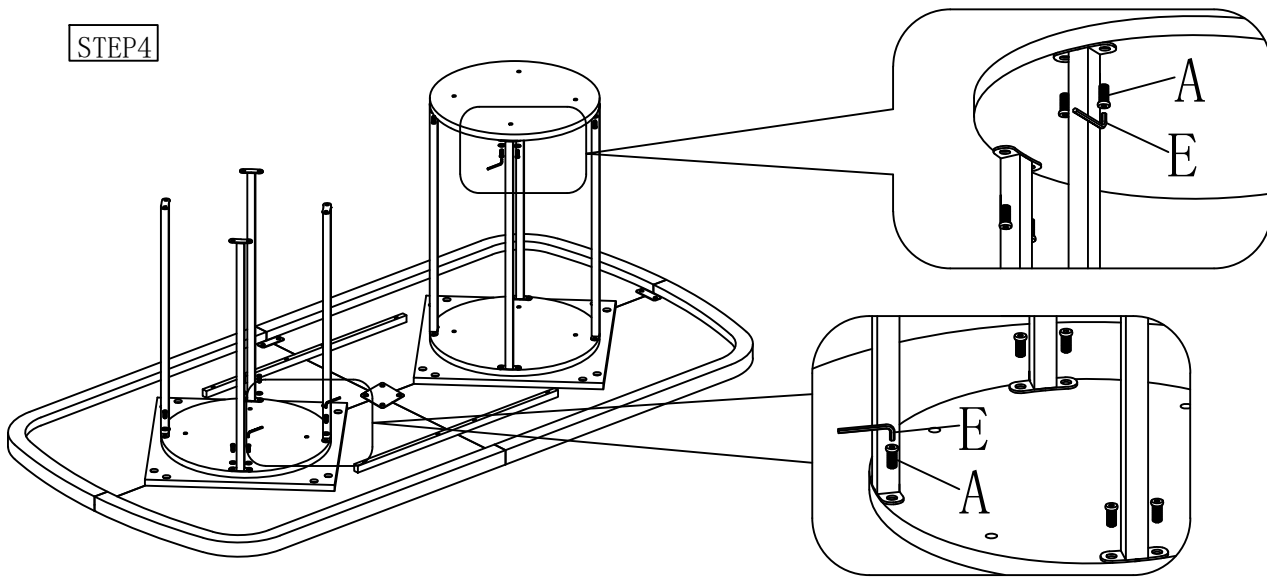


STEP3

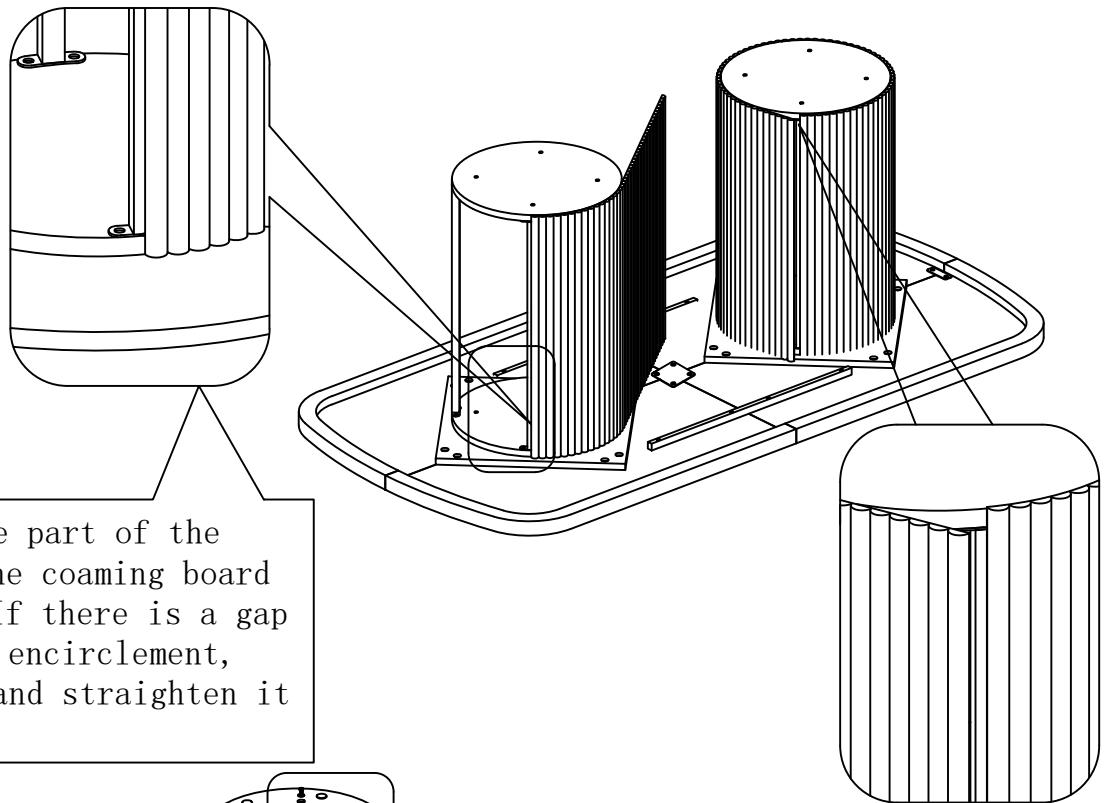


# ASSEMBLY INSTRUCTION

STEP4

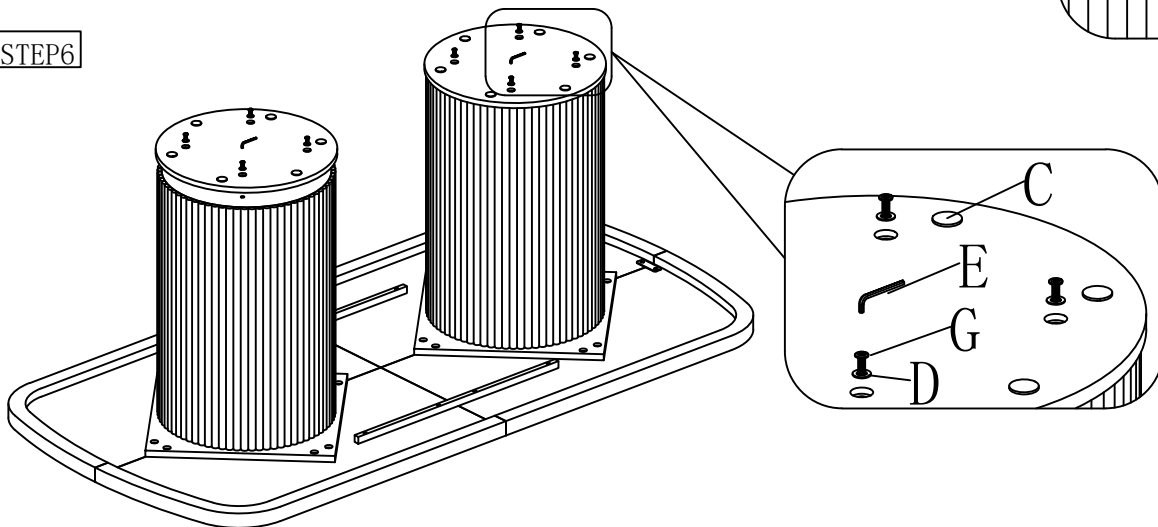


STEP5



Align the middle part of the link bar when the coaming board is surrounded. If there is a gap after the whole encirclement, please open it and straighten it and re-wrap it.

STEP6



## 【Kindly Remember】

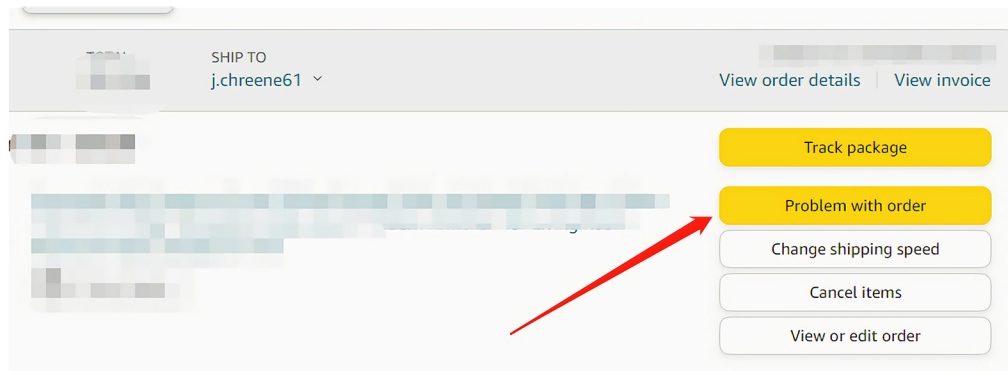
If the products you receive in this package are not all of the items you purchased, please be patient. The rest of the products will be delivered by other packages.

If you would like to know where the rest of the package has arrived, please contact us through Amazon. We will get back to you within 12 hours.

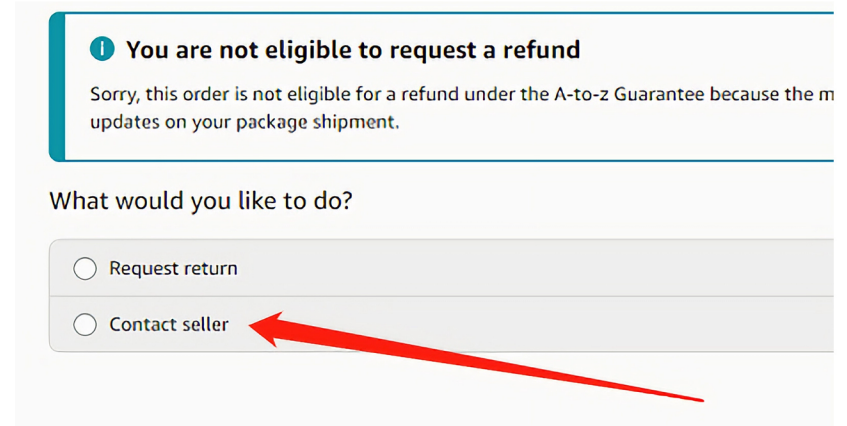


### You can contact us in the following ways:

1. Find your order in the list and Select **【Problem with order】** .



2. Choose your topic from list displayed and Select **【Contact seller】** .



3. We will get back to you immediately as soon as we receive your message.



Location of hardware package



14