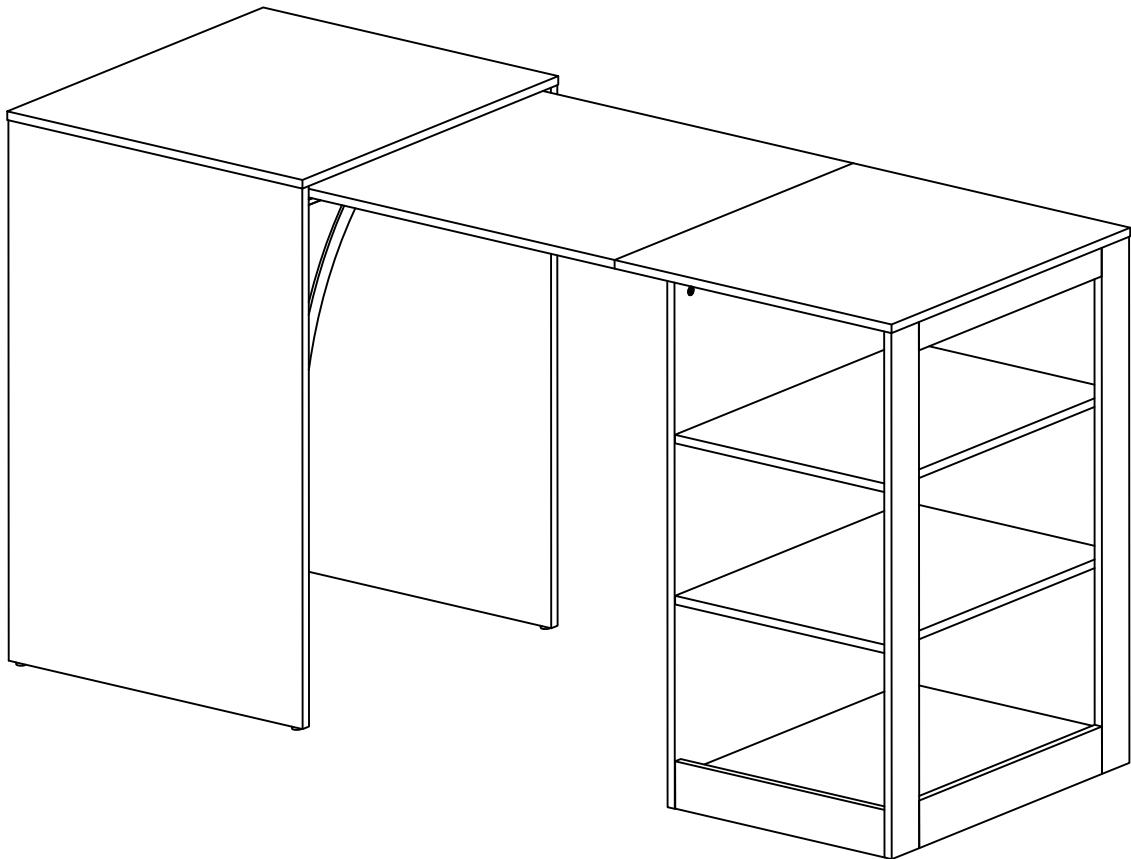



Multifunctional Desk

Item # HS20250525

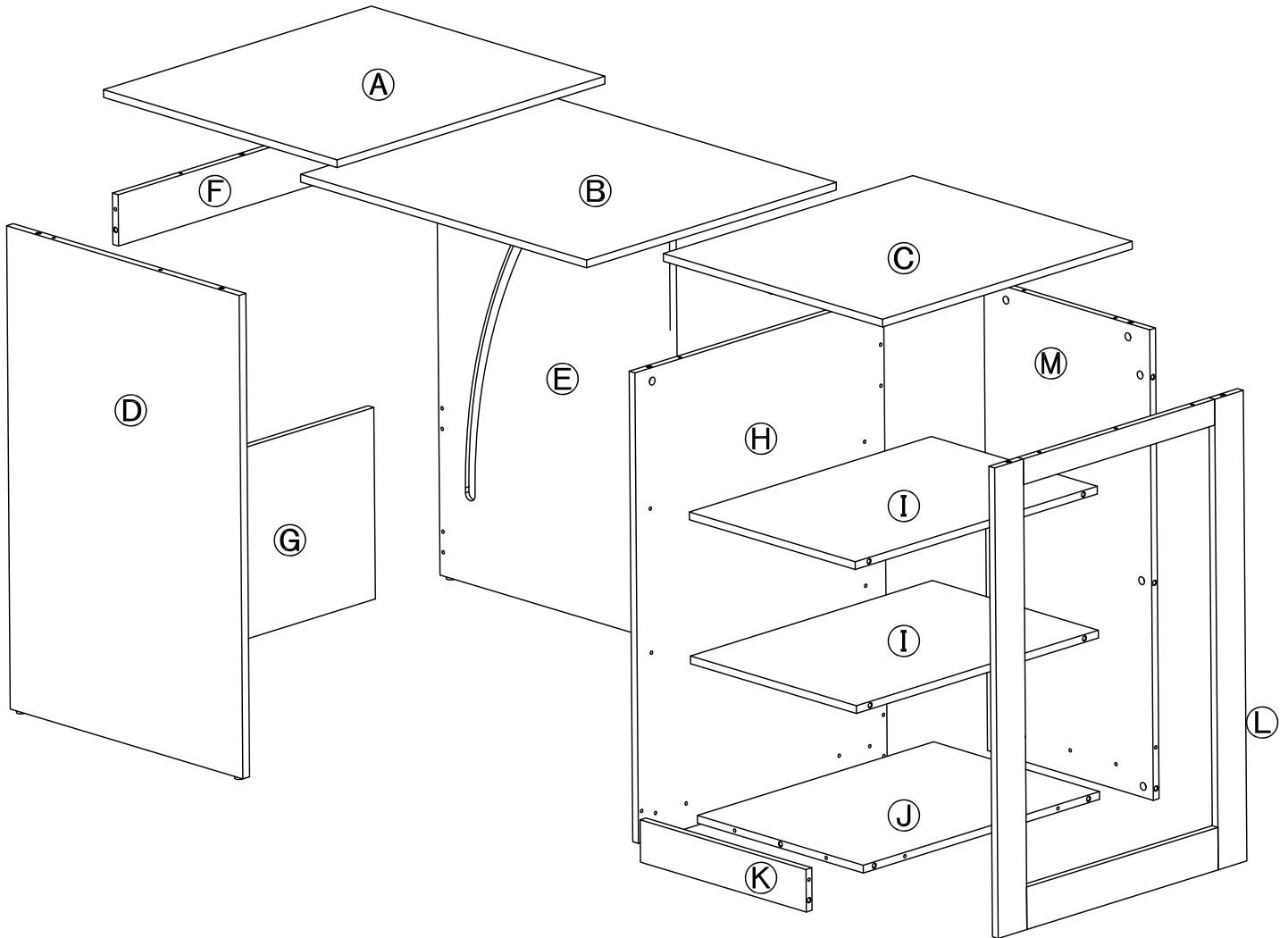
INSTRUCTION



 Part of the steps suggest
two people install

Main Components

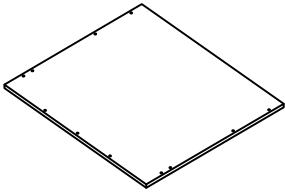
Please check you have all the parts listed below



Component Panels & Part List

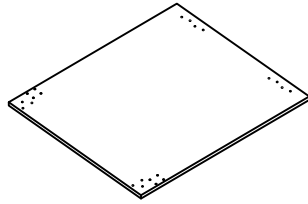
Please check you have all the panels listed below

(A)



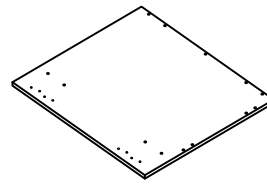
1PC

(B)



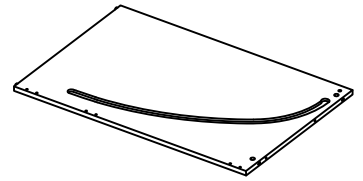
1PC

(C)



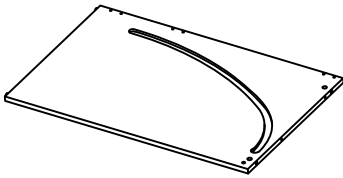
1PC

(D)



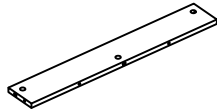
1PC

(E)



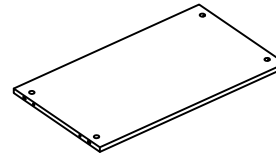
1PC

(F)



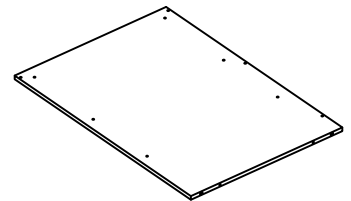
1PC

(G)



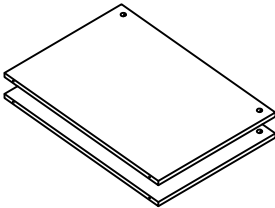
1PC

(H)



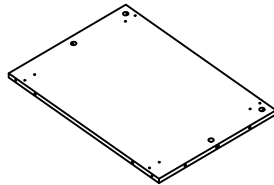
1PC

(I)



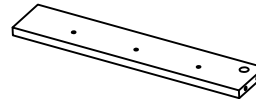
2PCS

(J)



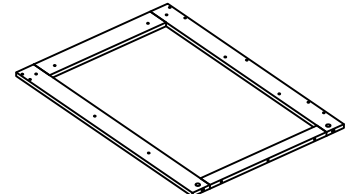
1PC

(K)



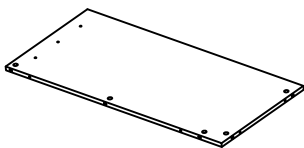
1PC

(L)



1PC

(M)

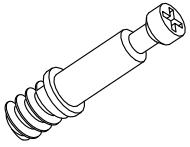


1PC

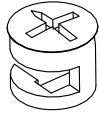
Fixings, Fittings And Tools

Please check all the fittings listed below

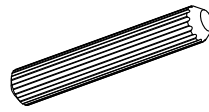
Note: The quantities below are the correct amount to complete the assembly. In some case more fittings may be supplied than be required.



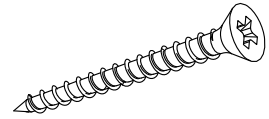
① Ø6*L27mm
29PCS



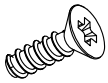
② Ø12*9mm
29PCS



③ Ø5*30mm
33+1PCS



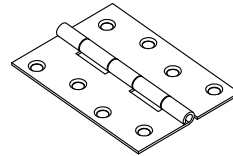
④ Ø4*38mm
10PCS



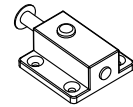
⑤ Ø4*10mm
30+1PCS



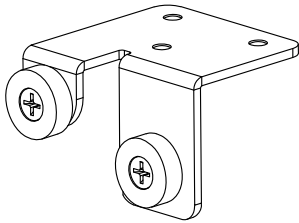
⑥ Ø3*12mm
8PCS



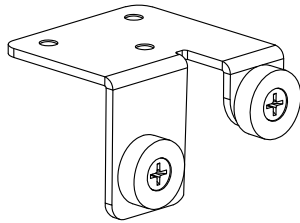
⑦ 100*72*1.5mm
2PCS



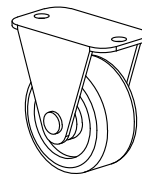
⑧ 55*36*18mm
2PCS



⑨ 1PC



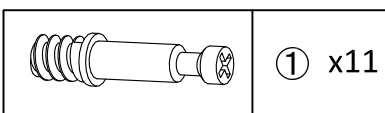
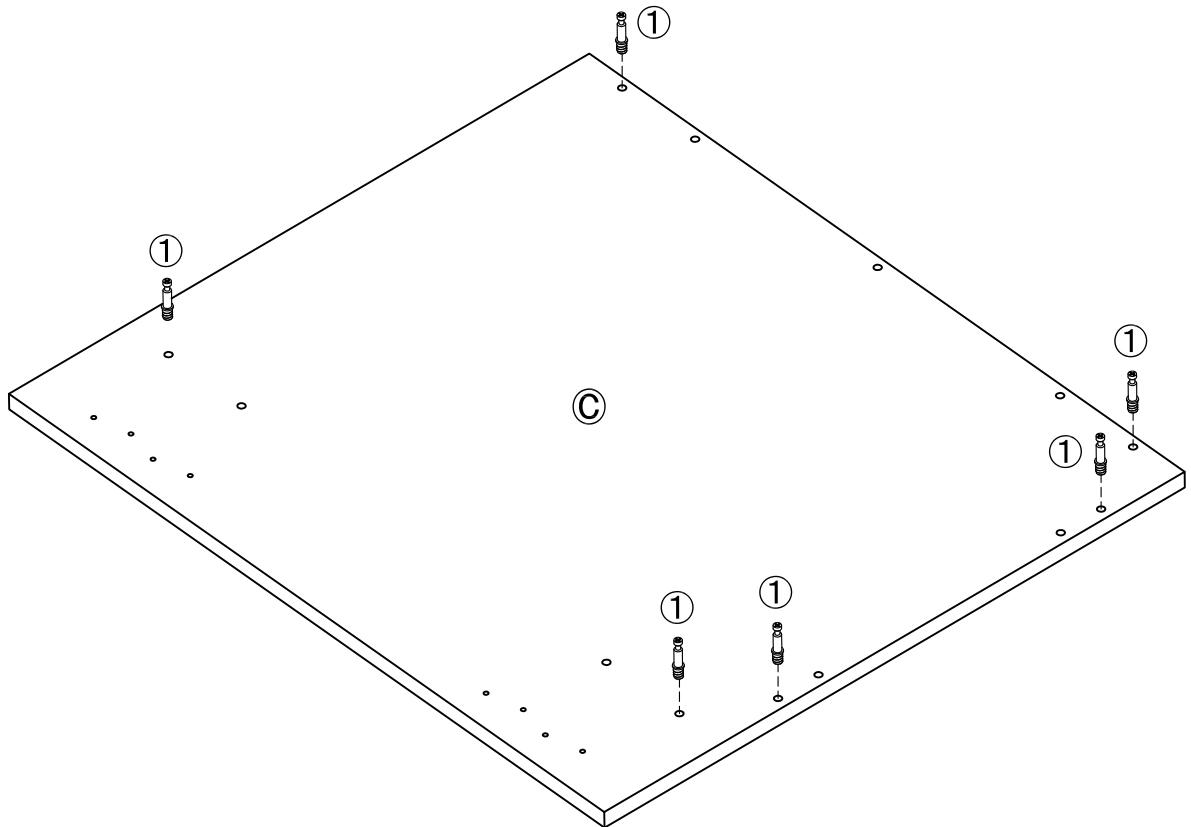
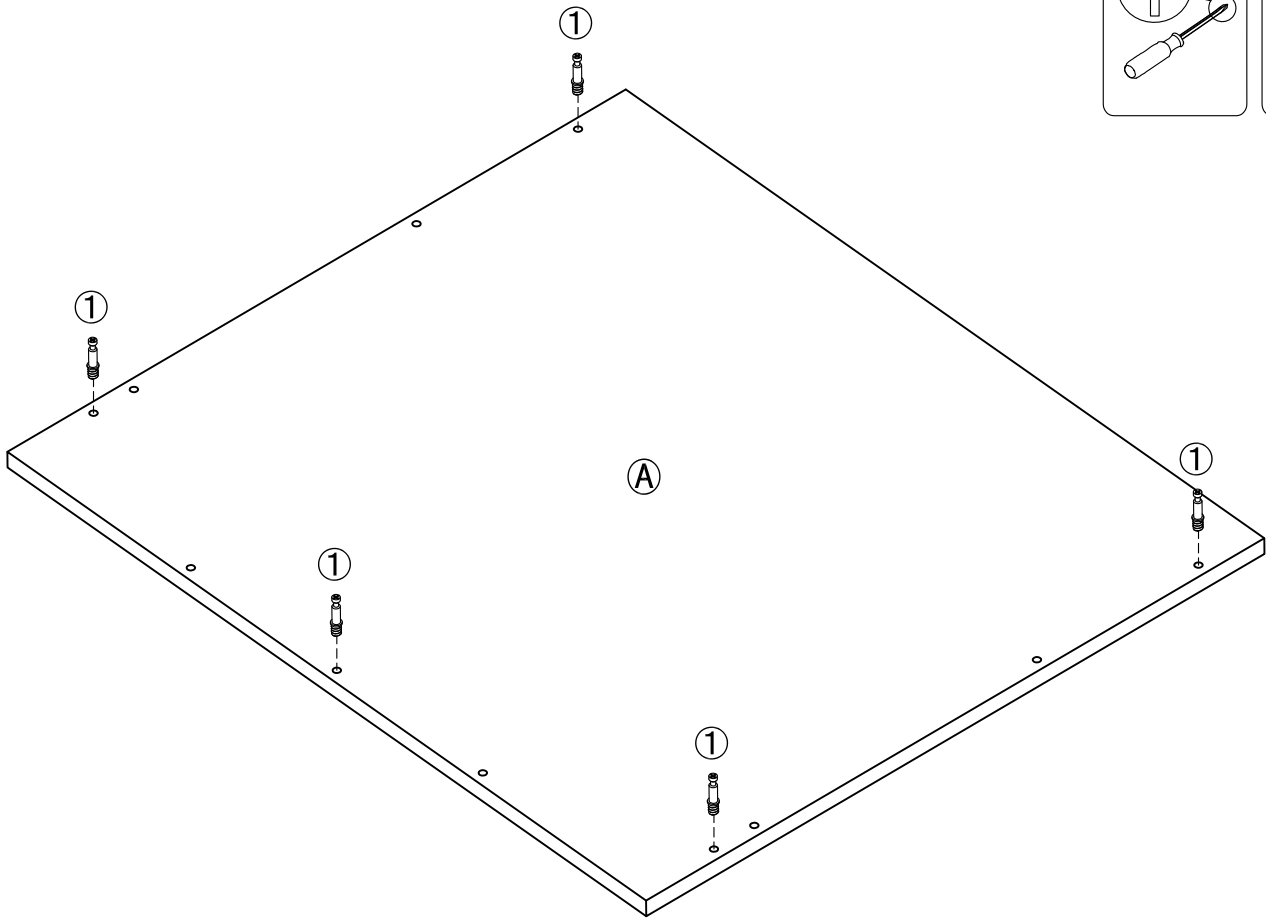
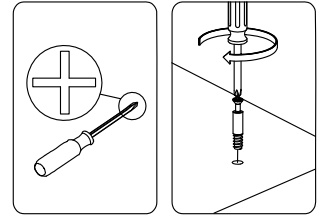
⑩ 1PC



⑪ 4PCS

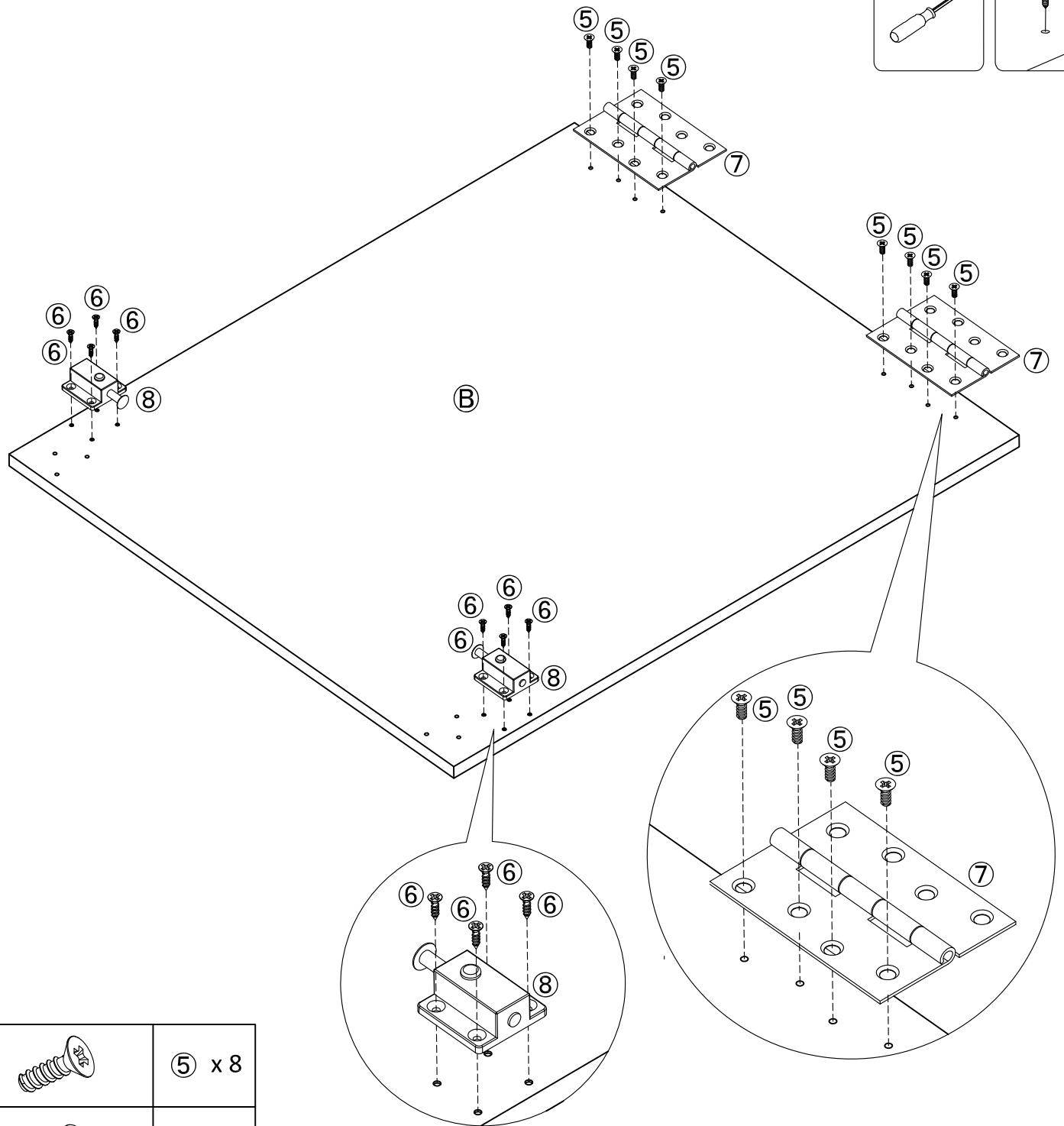
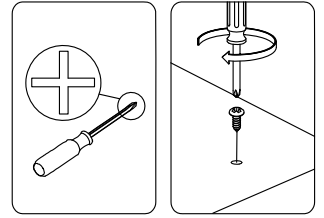
Assembly Step

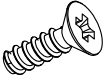

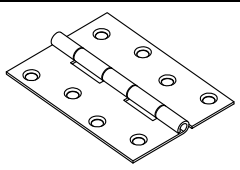
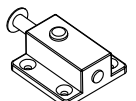
Step 1



Assembly Step

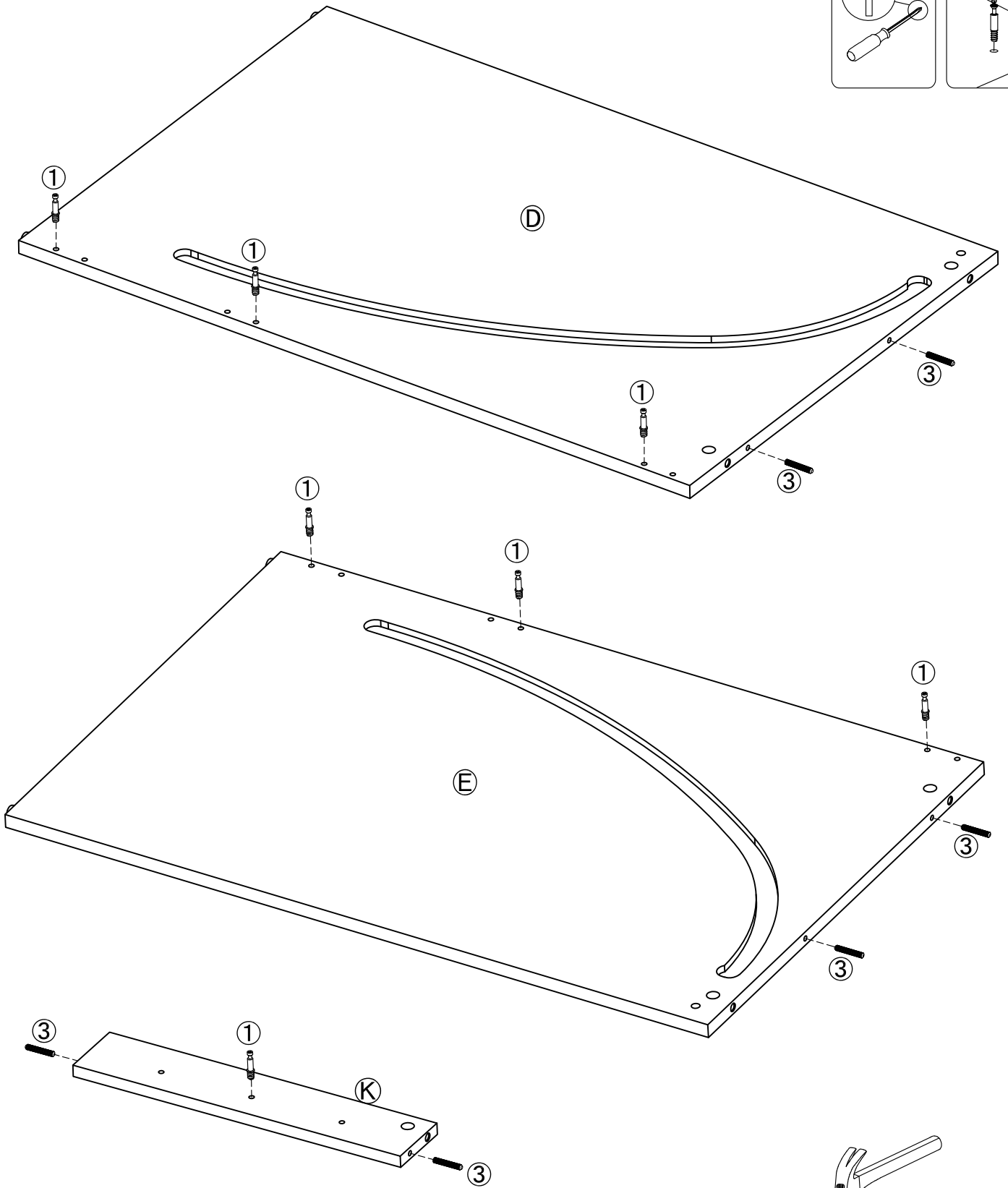
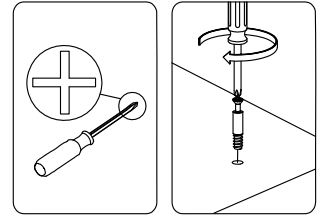
Step 2



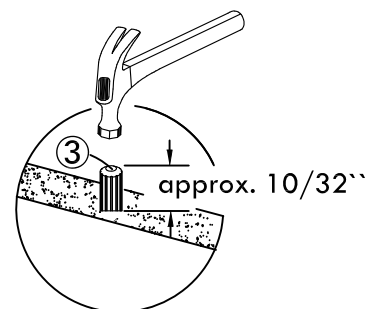
	⑤ x 8
	⑥ x 8
	⑦ x 2
	⑧ x 2

Assembly Step

Step 3

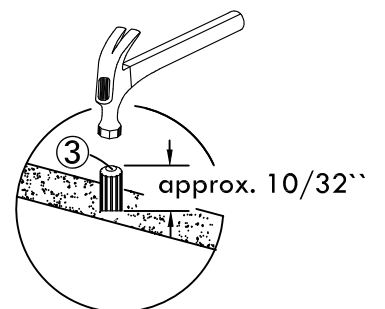
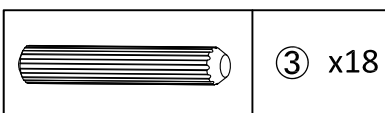
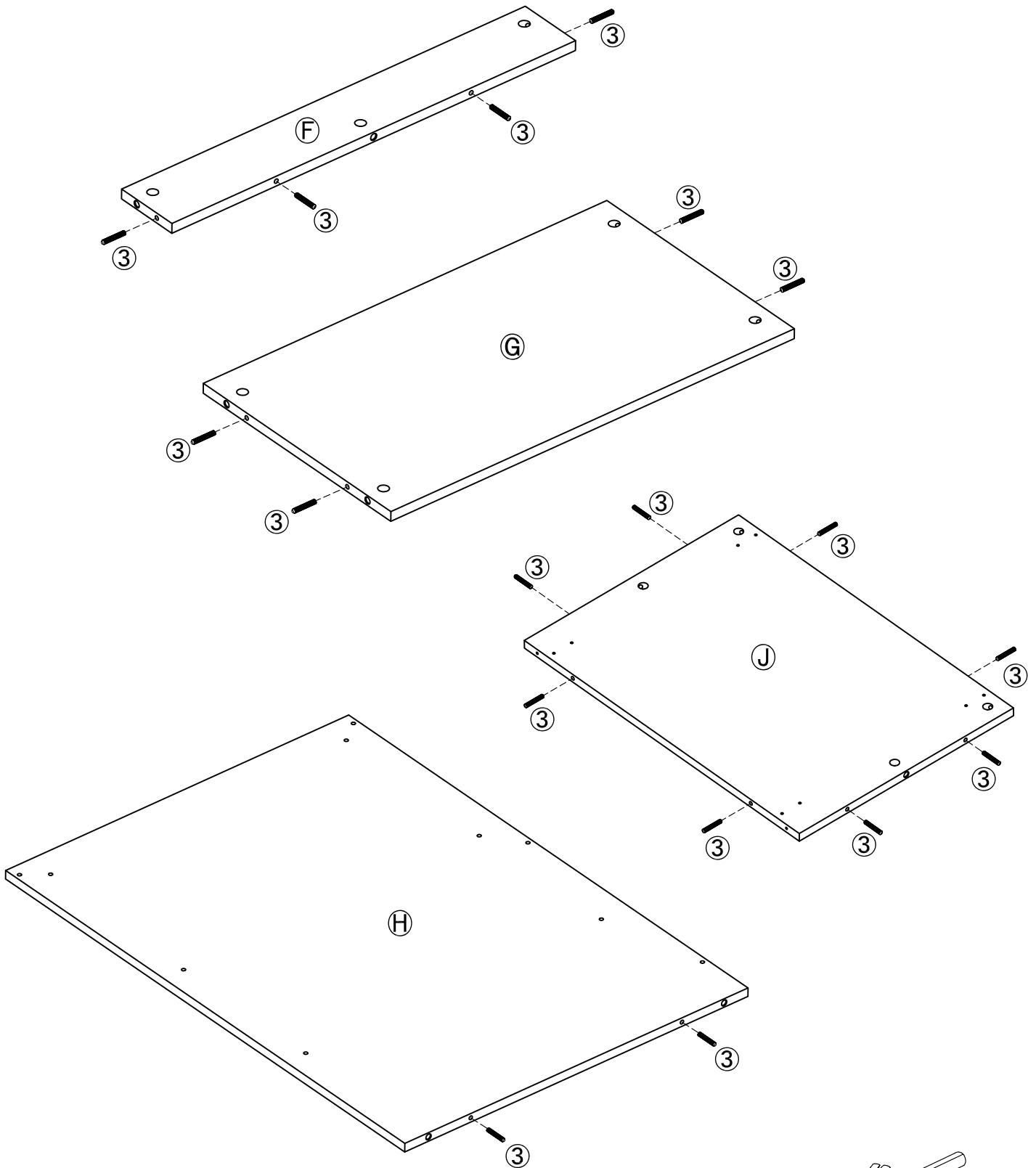


	① x 7
	③ x 6



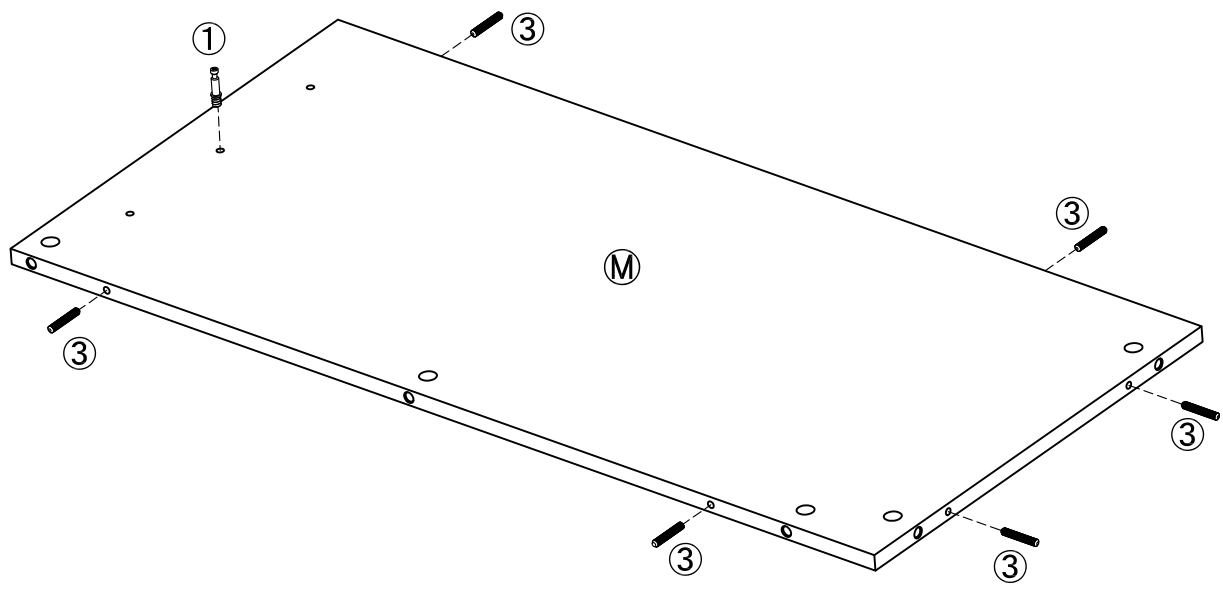
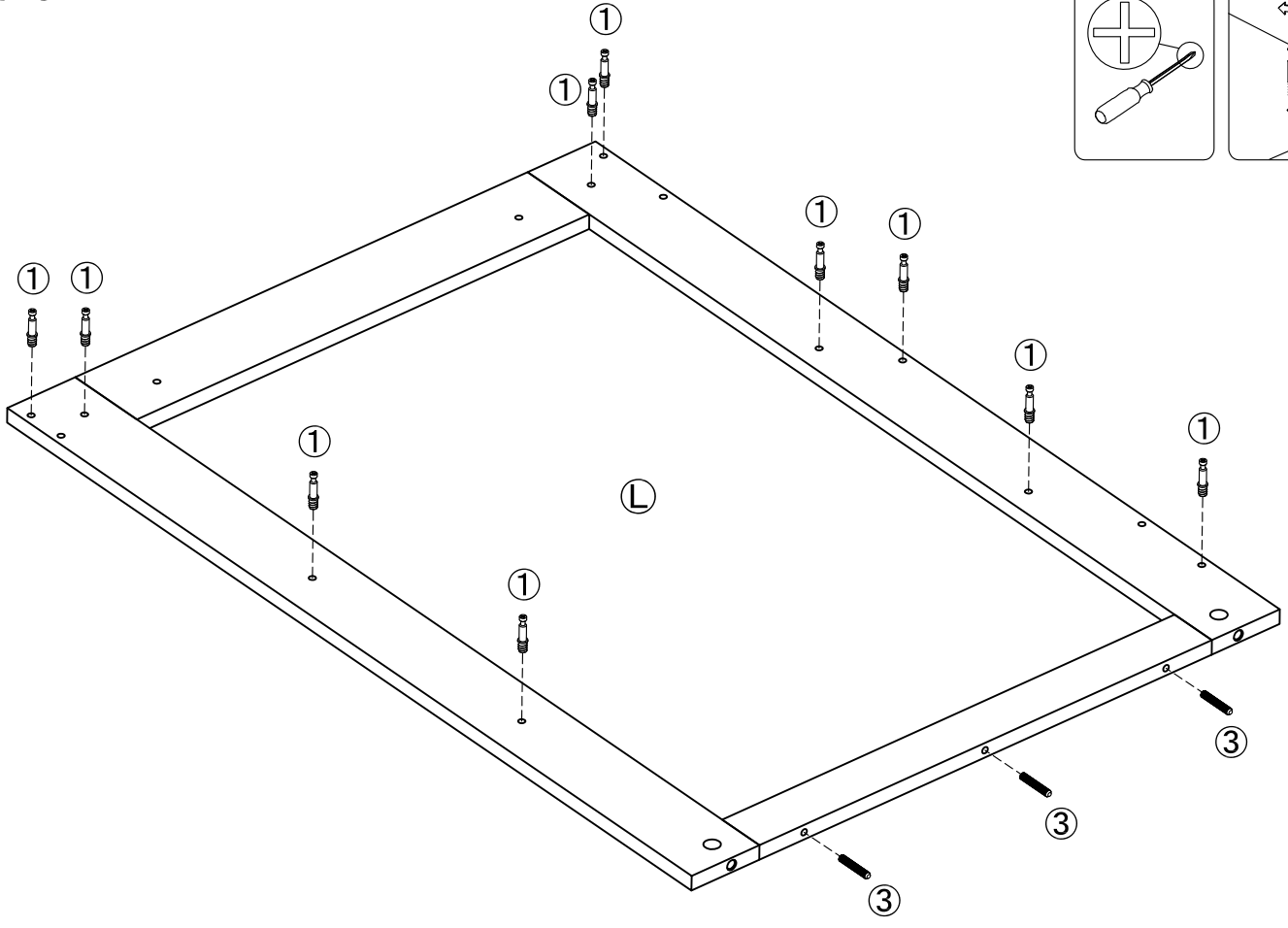
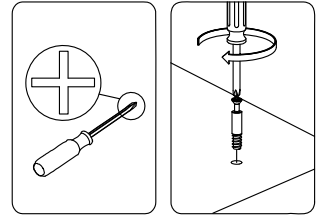
Assembly Step

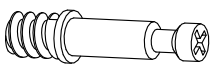

Step 4

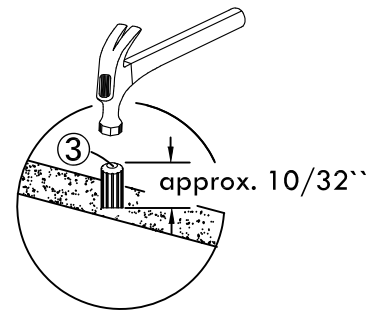


Assembly Step

Step 5

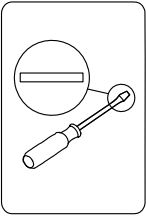
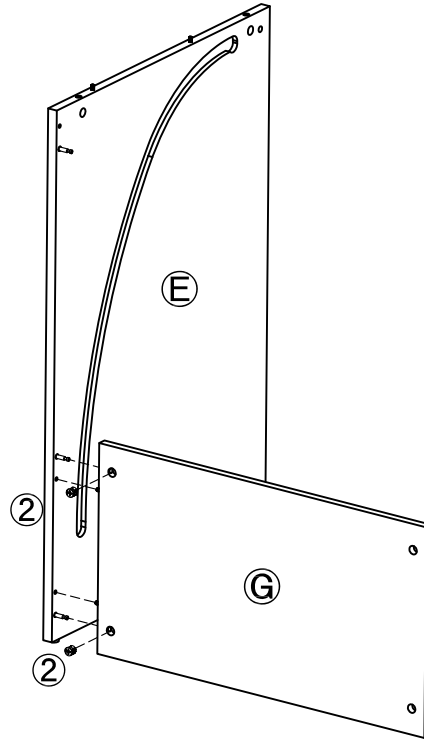
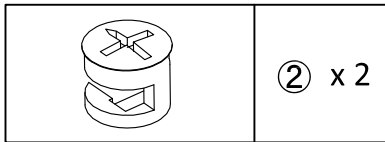
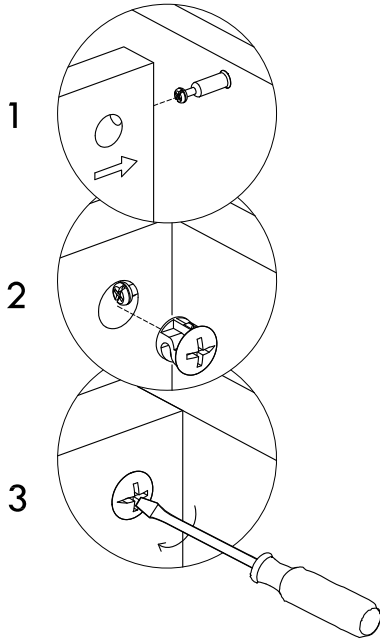


	① x11
	③ x9

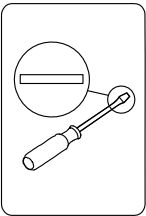
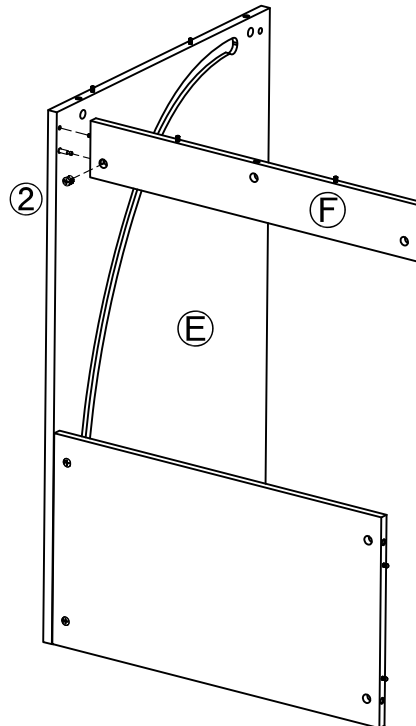
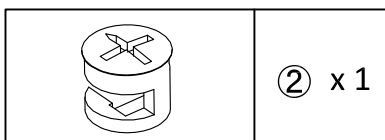
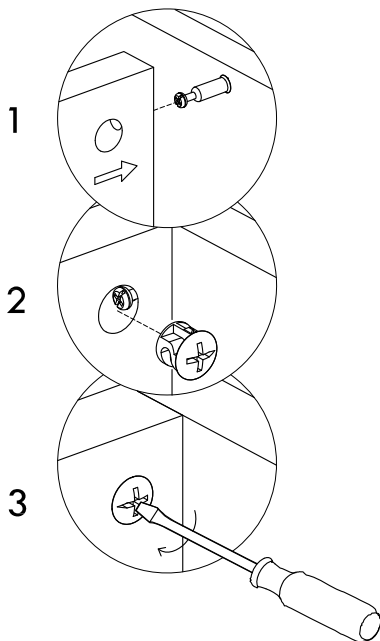


Assembly Step

Step 6

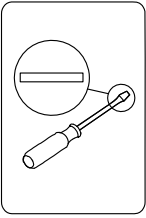
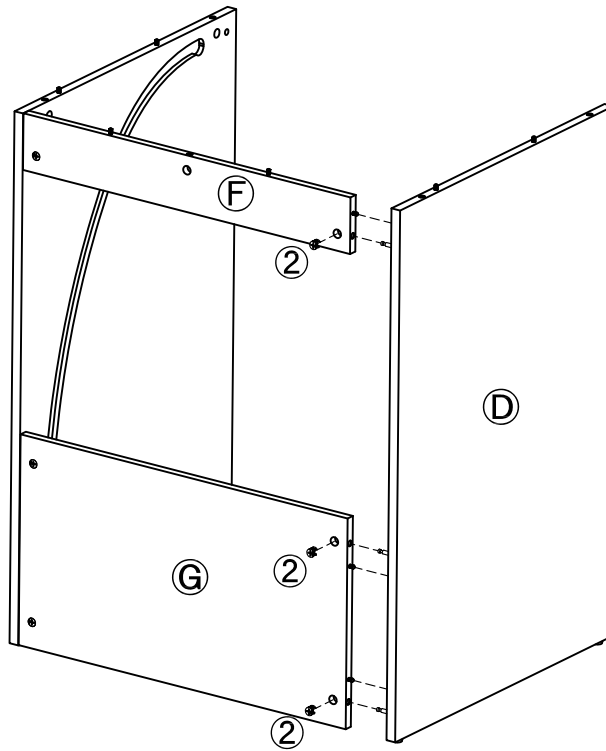
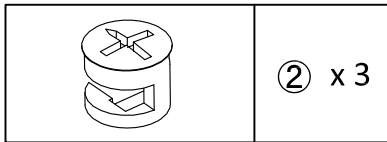
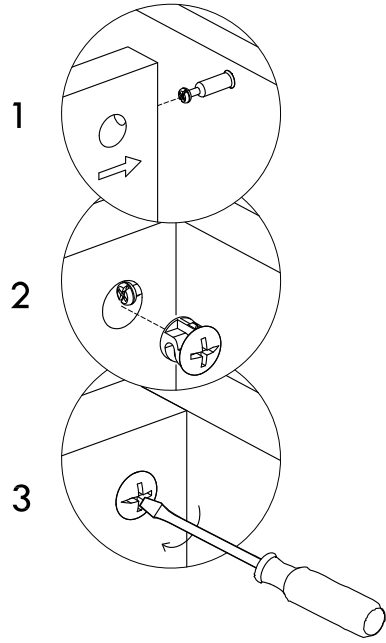


Step 7

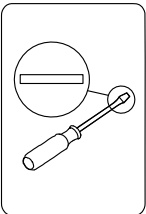
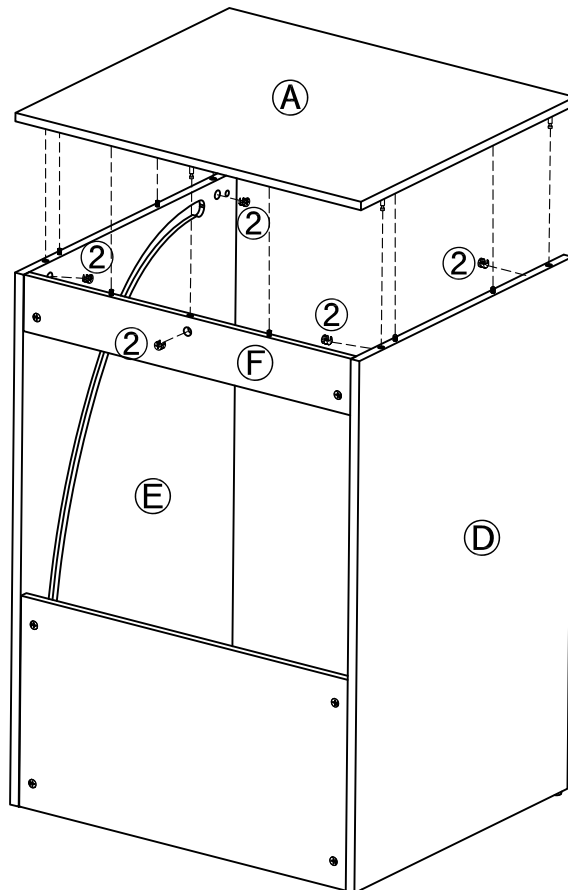
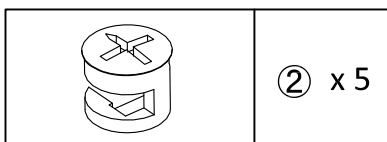
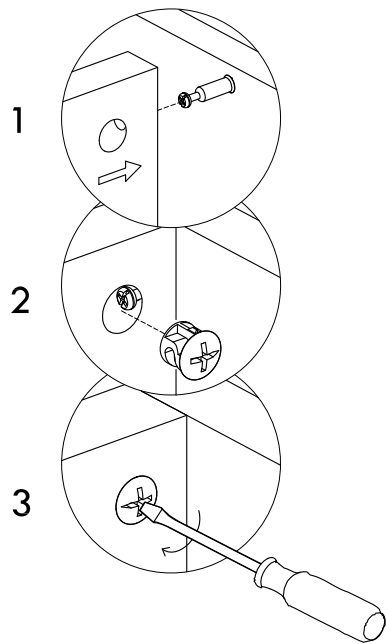


Assembly Step

Step 8

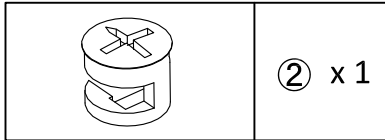
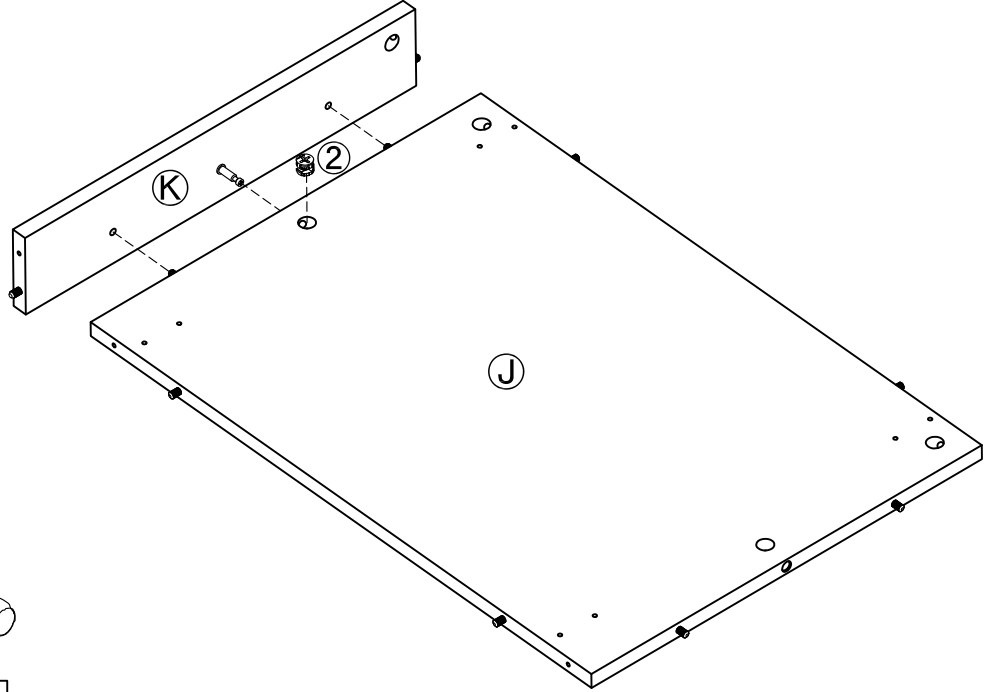
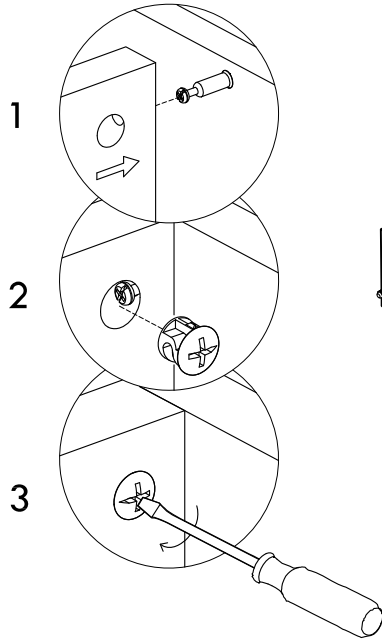


Step 9

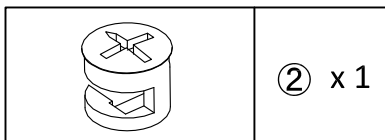
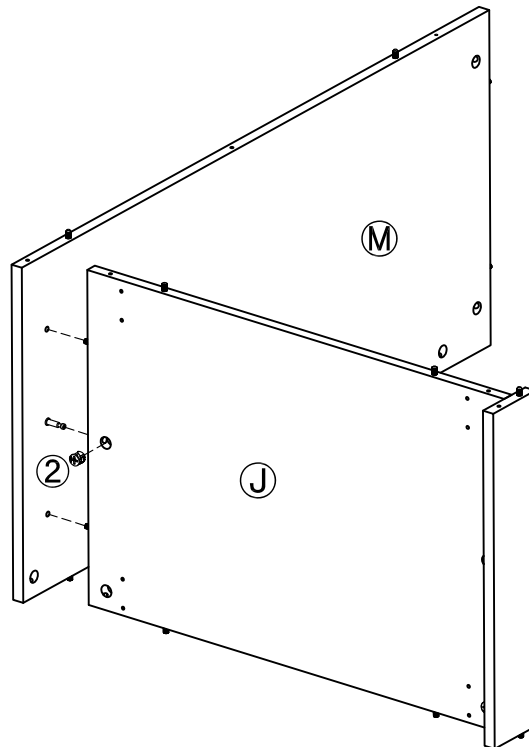
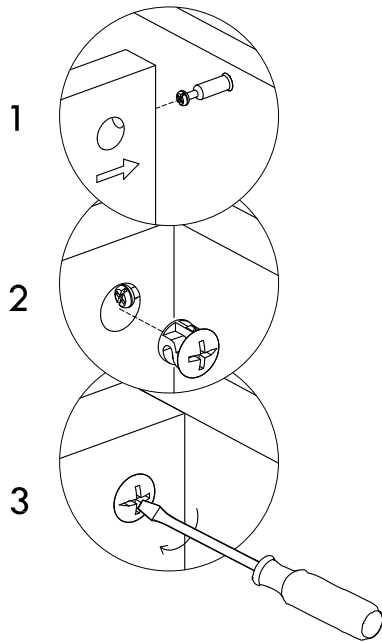


Assembly Step

Step 10

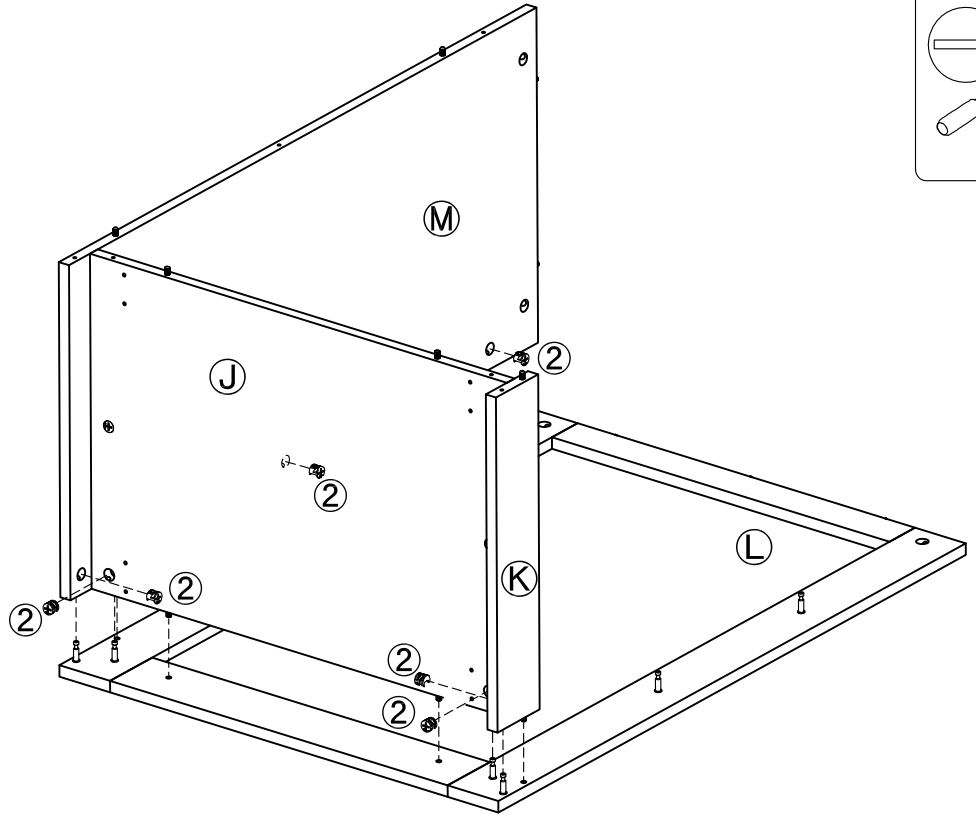
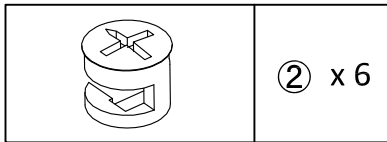
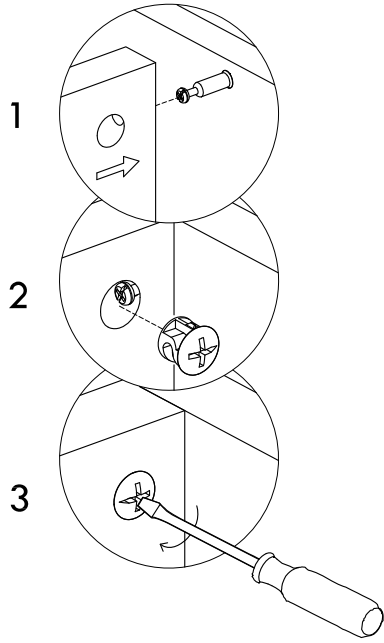


Step 11

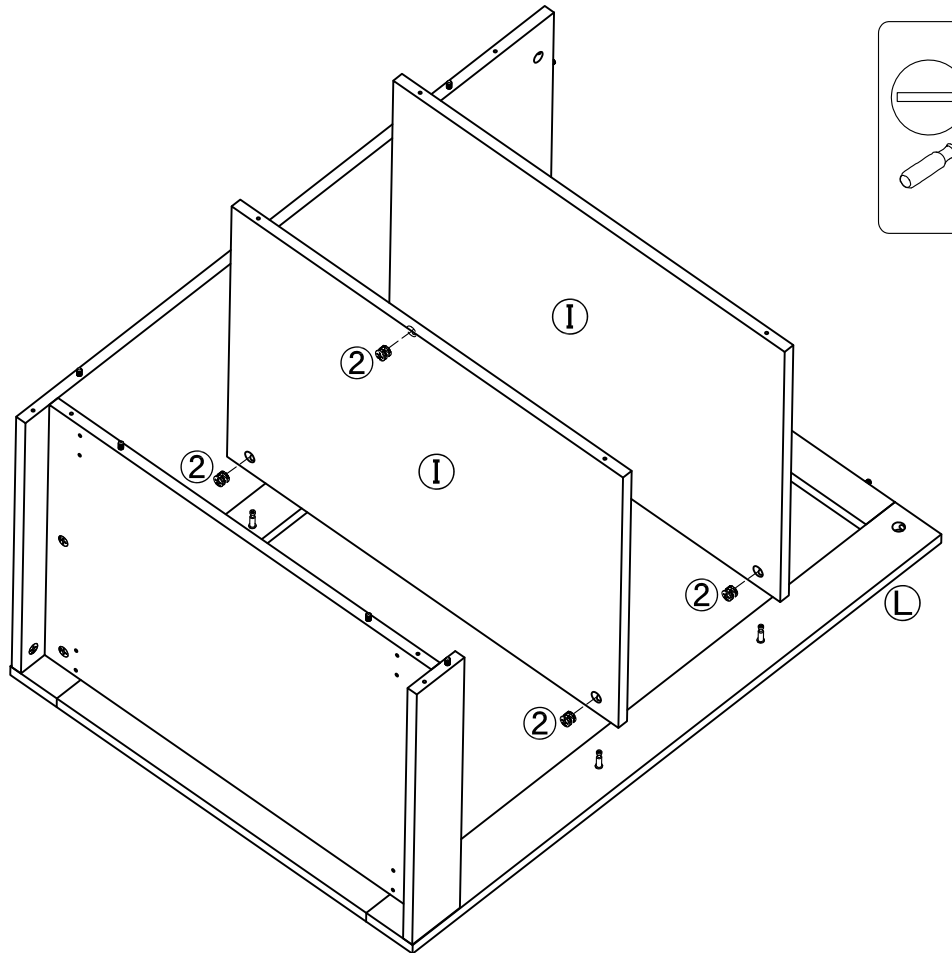
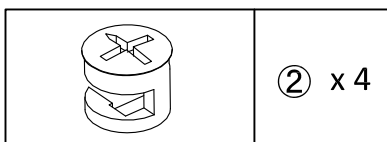
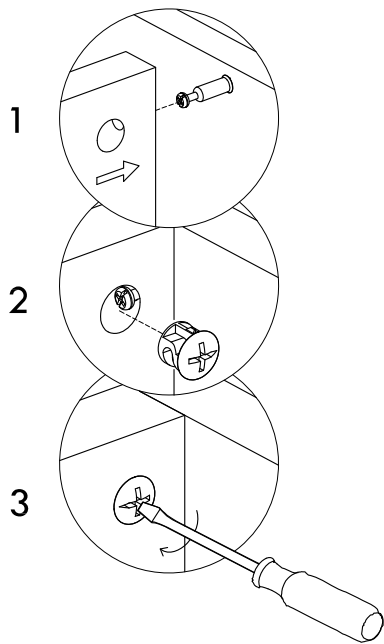


Assembly Step

Step 12

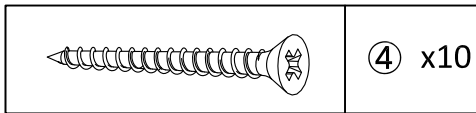
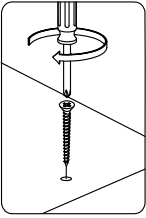
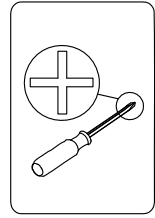
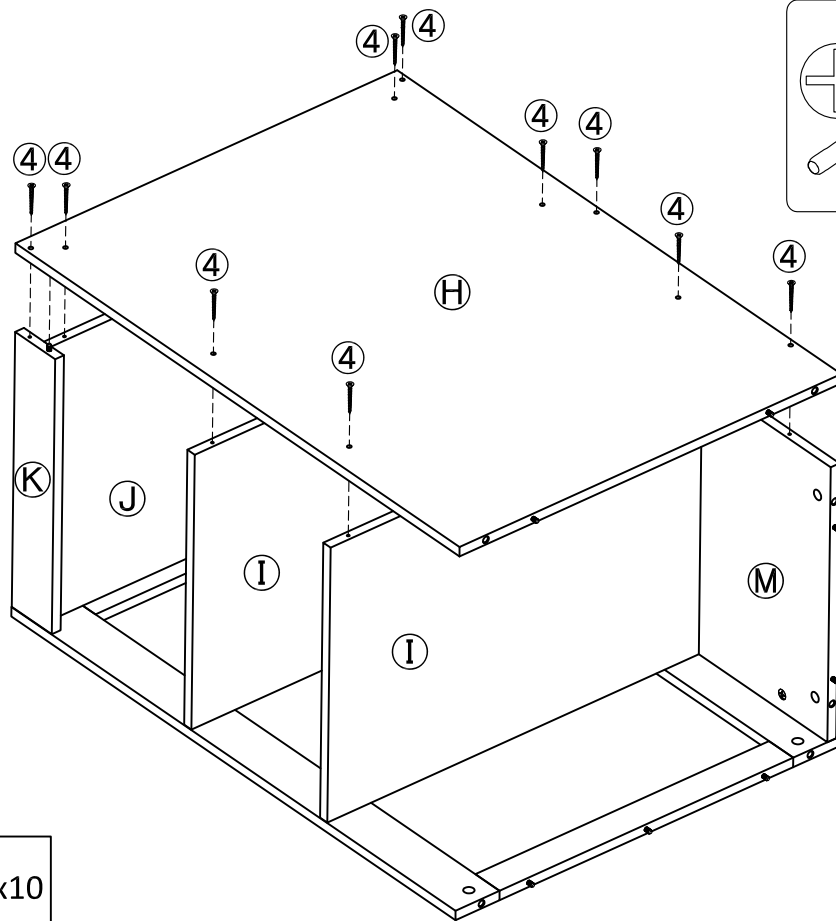


Step 13

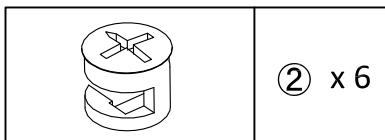
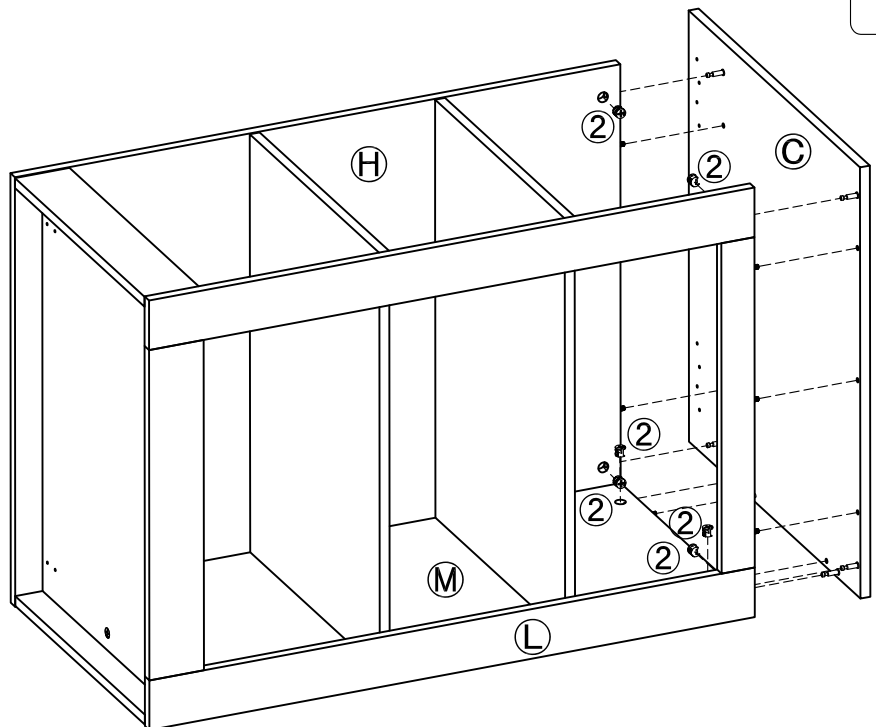
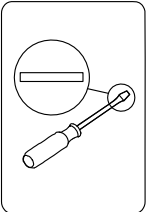
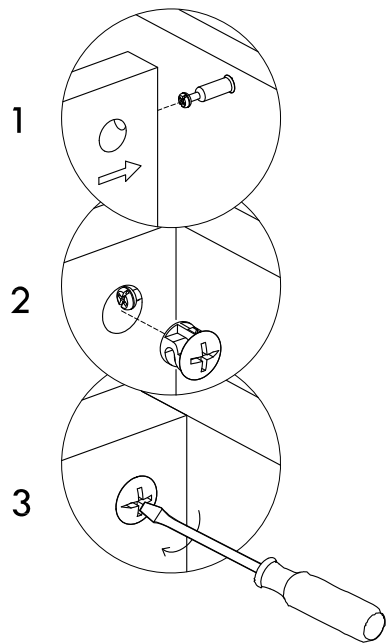


Assembly Step

Step 14

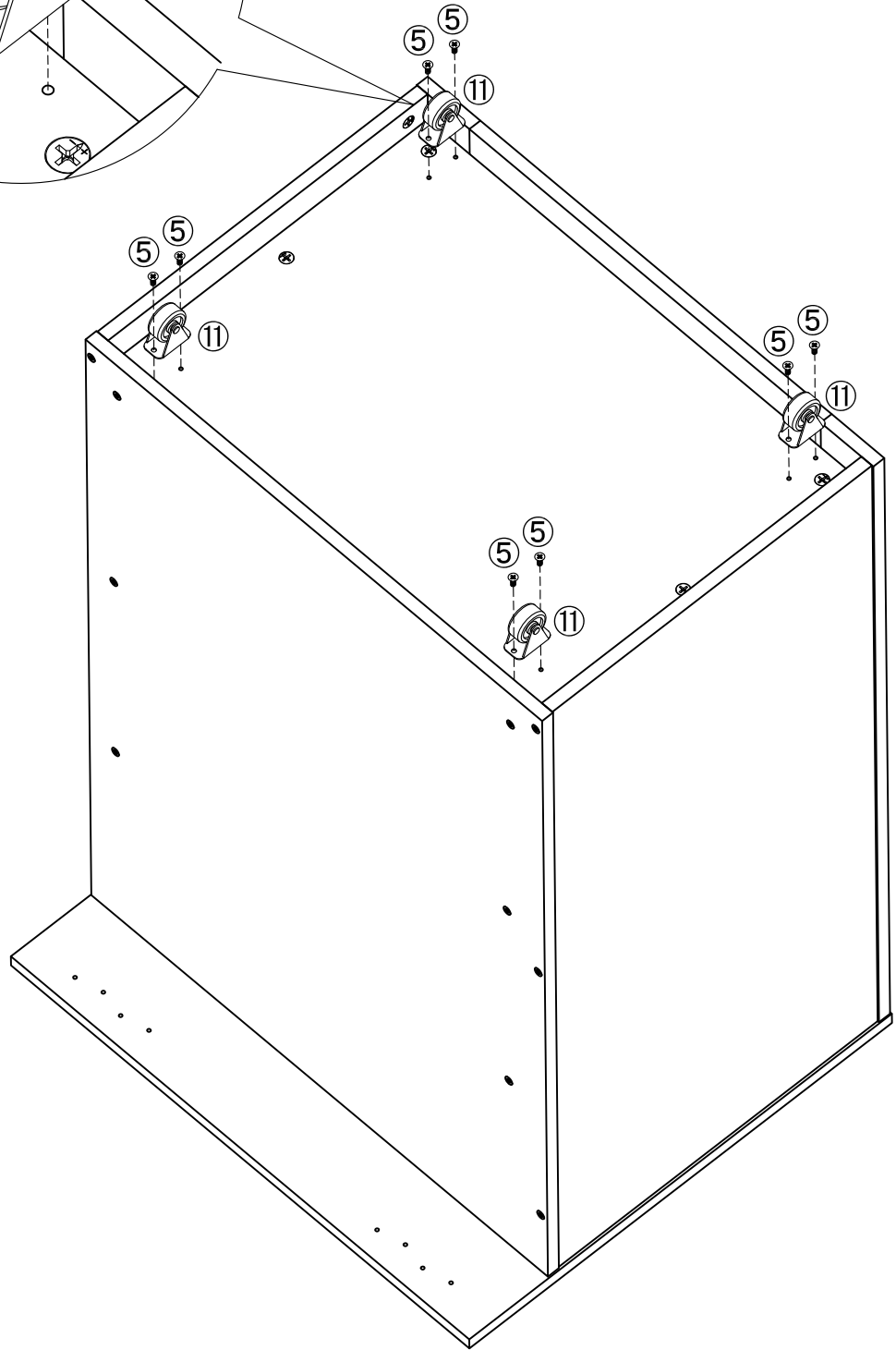
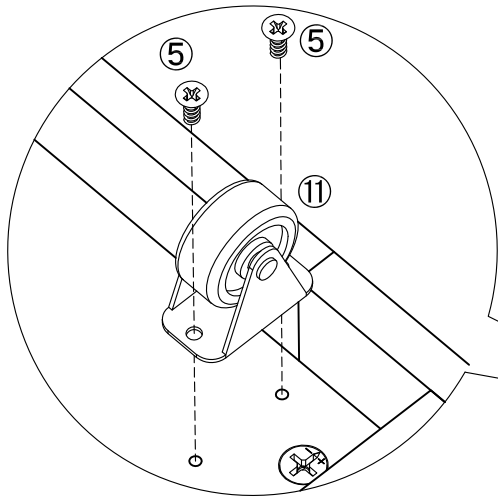
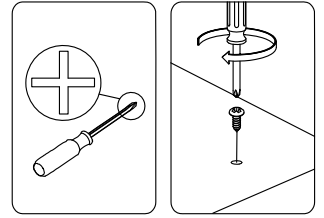


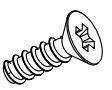
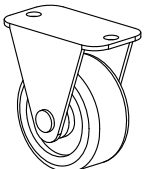
Step 15



Assembly Step

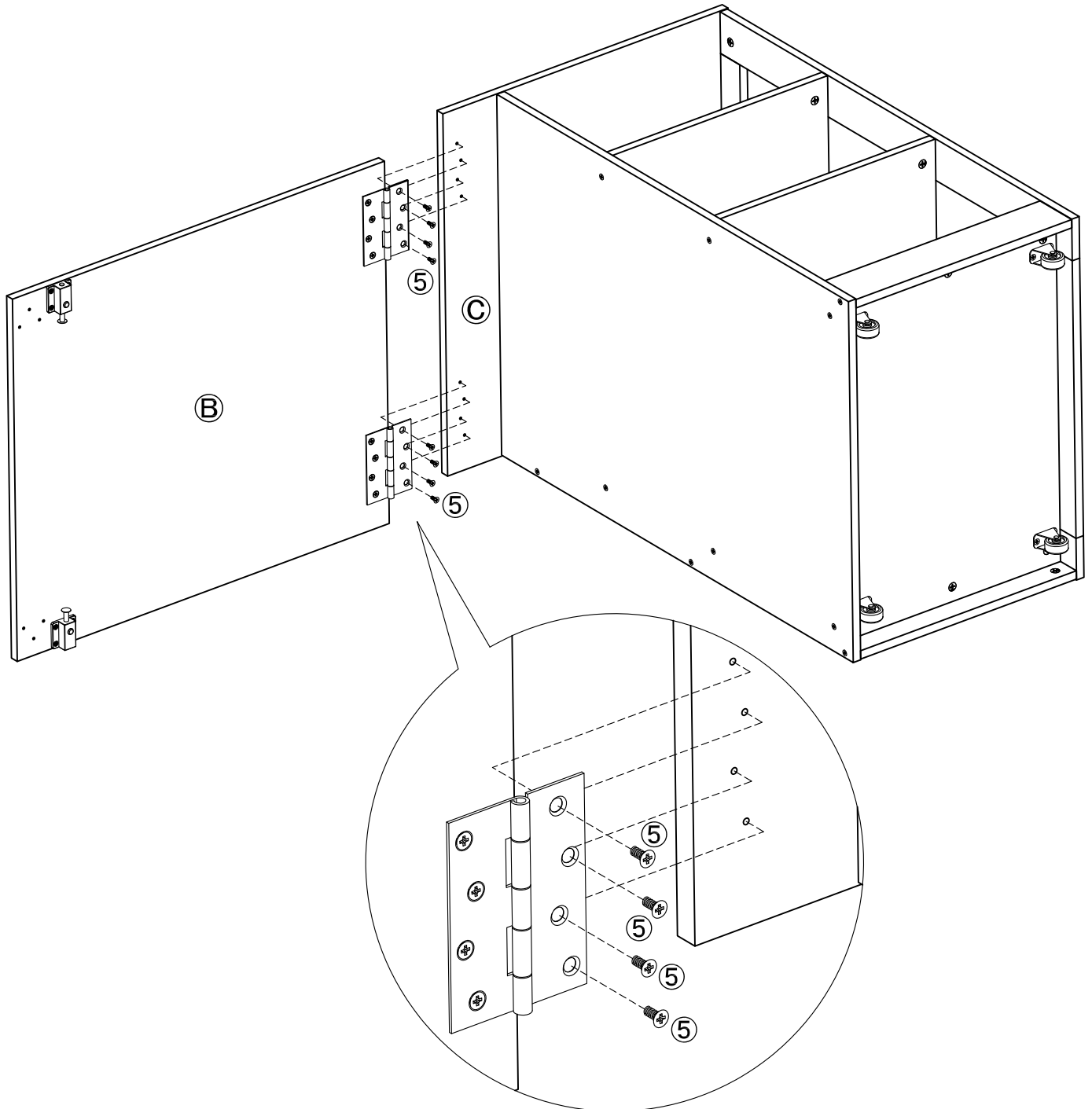
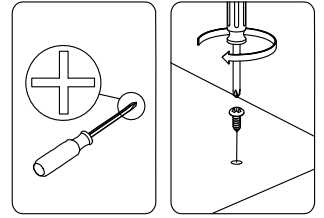
Step 16



	⑤ x 8
	⑪ x 4

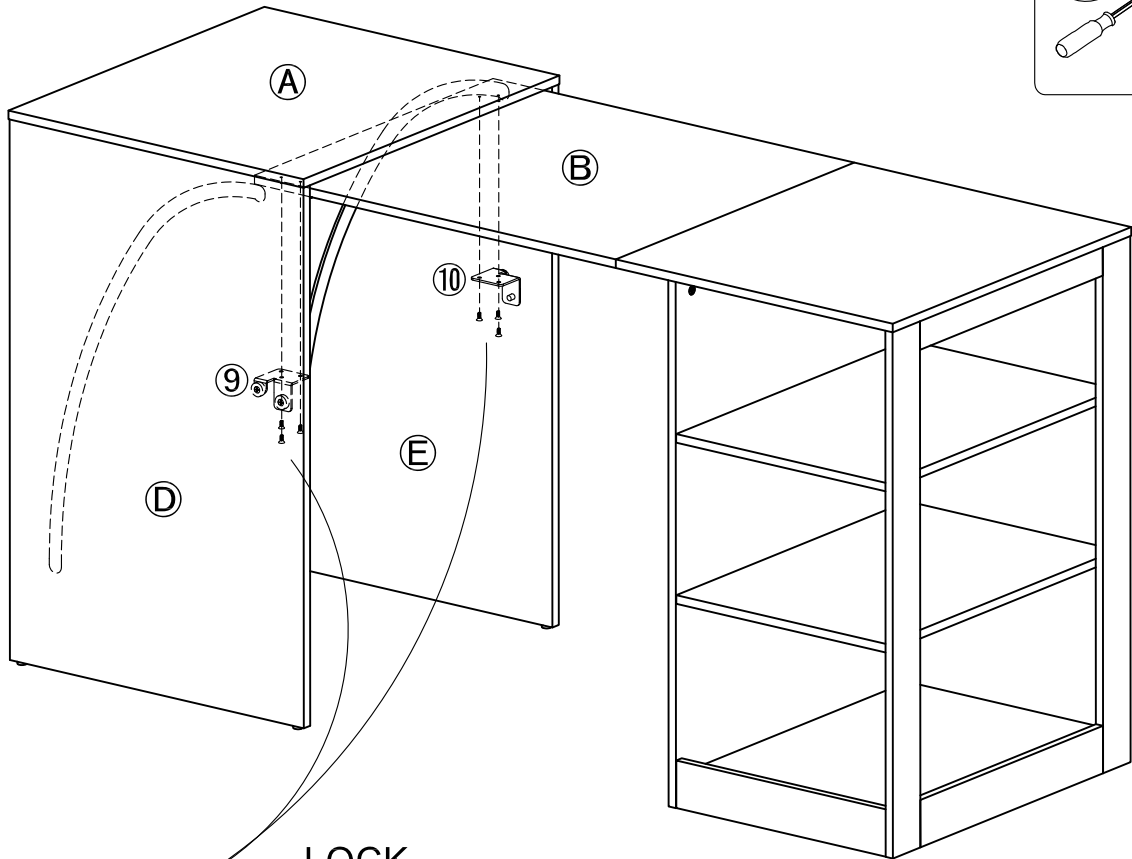
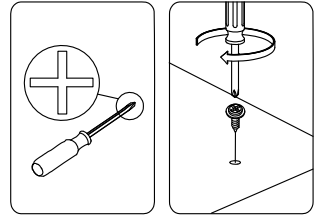
Assembly Step

Step 17

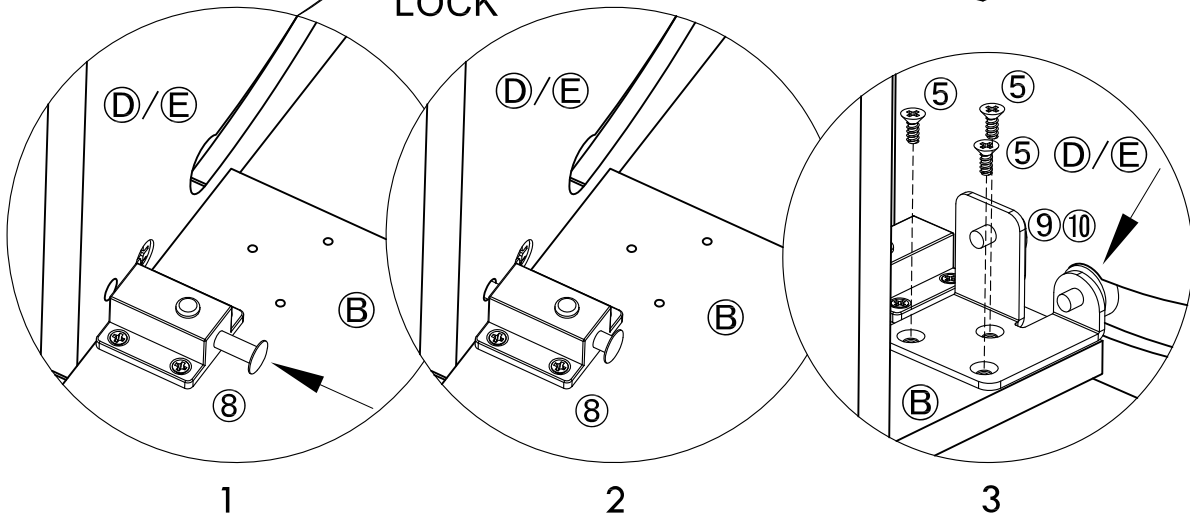



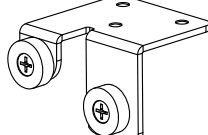
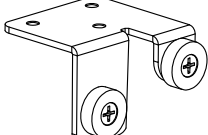
Assembly Step

Step 18



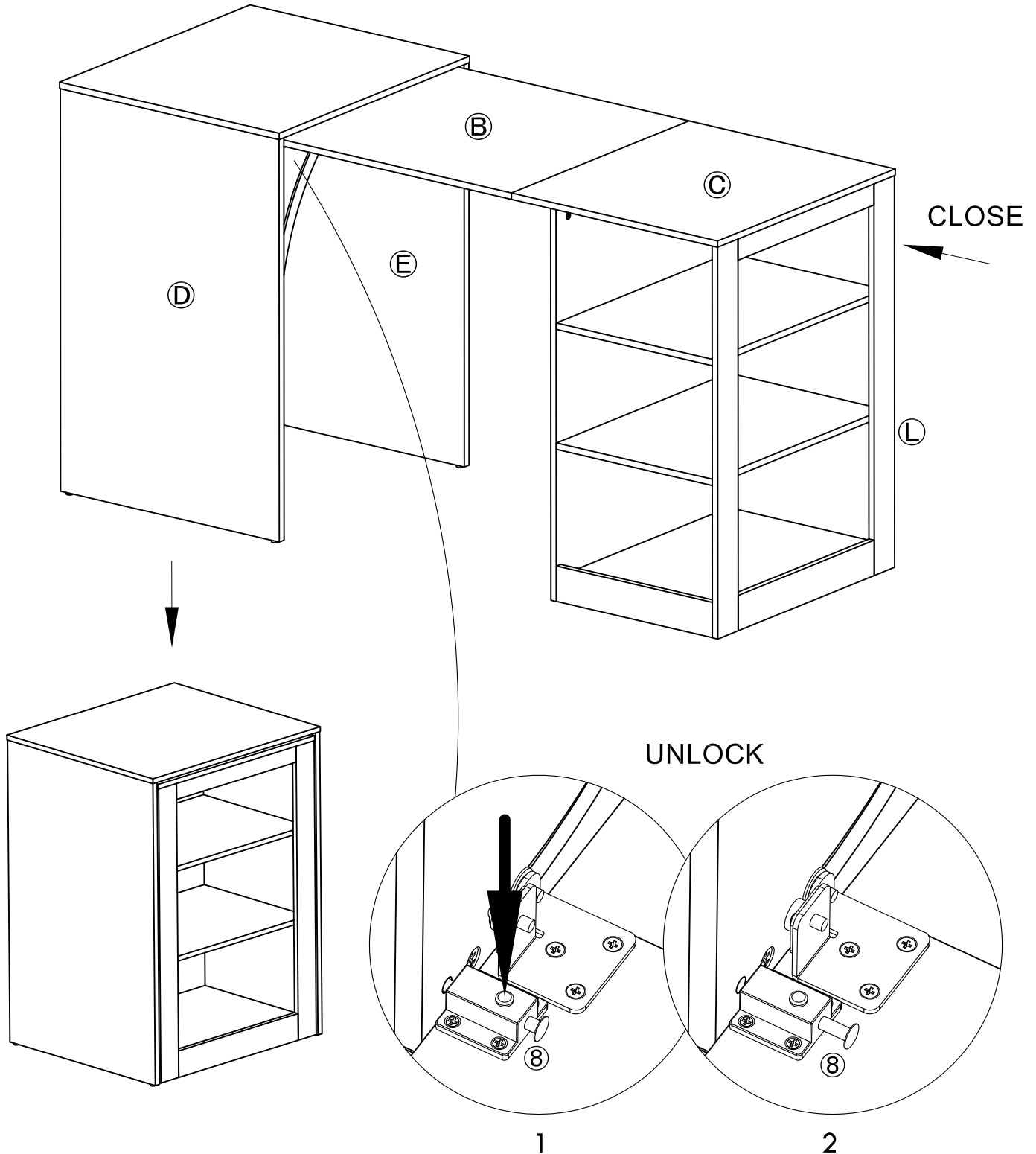
LOCK



	5 x 6		9 x 1		10 x 1
---	-------	---	-------	--	--------

Assembly Step

Step 19



Assembly Step

Step 20

