

ASSEMBLY INSTRUCTION & PARTS IDENTIFICATION 60" CONSOLE

Thank you for purchasing this quality product. Be sure to check all packing material carefully for small parts that may have come loose inside the carton during shipment.

No	Qty	Description	No	Qty	Description
1	2 PCS	LEG ASSEMBLY	6	3 PCS	WOOD DOOR STOP
2	3 PCS	DOOR	7	3 PCS	CABLE COVER
3	3 PCS	SHELF	8	4 PCS	LEVELER (M6 X 25mm)
4	6 PCS	HINGE	9	2 PCS	ANTI-TIP KIT
5	3 PCS	TOUCH RELEASE DOOR CATCH			

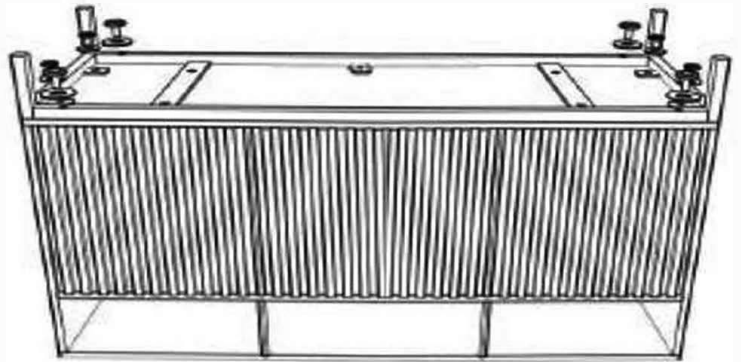
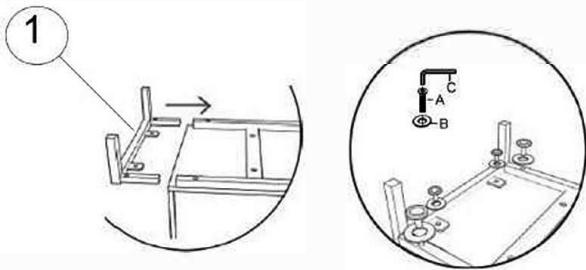
SET UP REQUIRES 2 PEOPLE

PLEASE NOTE : To help prevent the possibility of tip-over, install the tipover restraint provided.

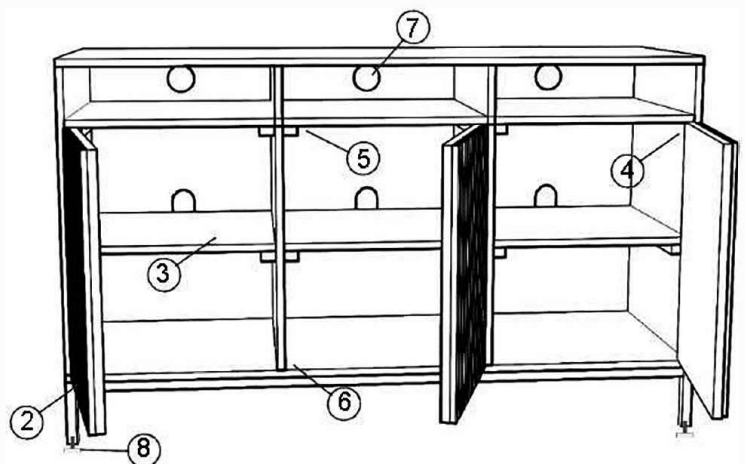
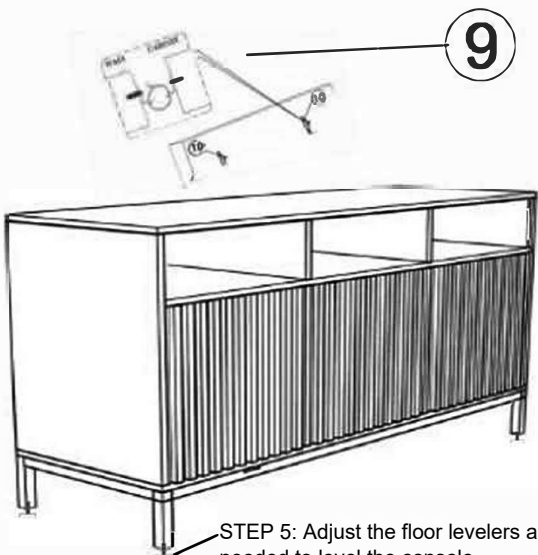
HARDWARE KIT		
A	BOLT (M6X1X16mm)	8 Pcs
B	FLAT WASHER (M6)	8 Pcs
C	ALLEN KEY (4mm)	1 Pcs

STEP 1: Place the console upside down on a padded surface to prevent scratches

STEP 2: Attach the Leg Assembly to each end of the base by inserting the ends into the front and back rail. Secure the legs with a bolt and washer and hand tighten with the Allen Key when all bolts are in place.



STEP 3: Install the Anti-Tip Hardware



STEP 5: Adjust the floor levelers as needed to level the console