
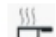










Assembly Instructions

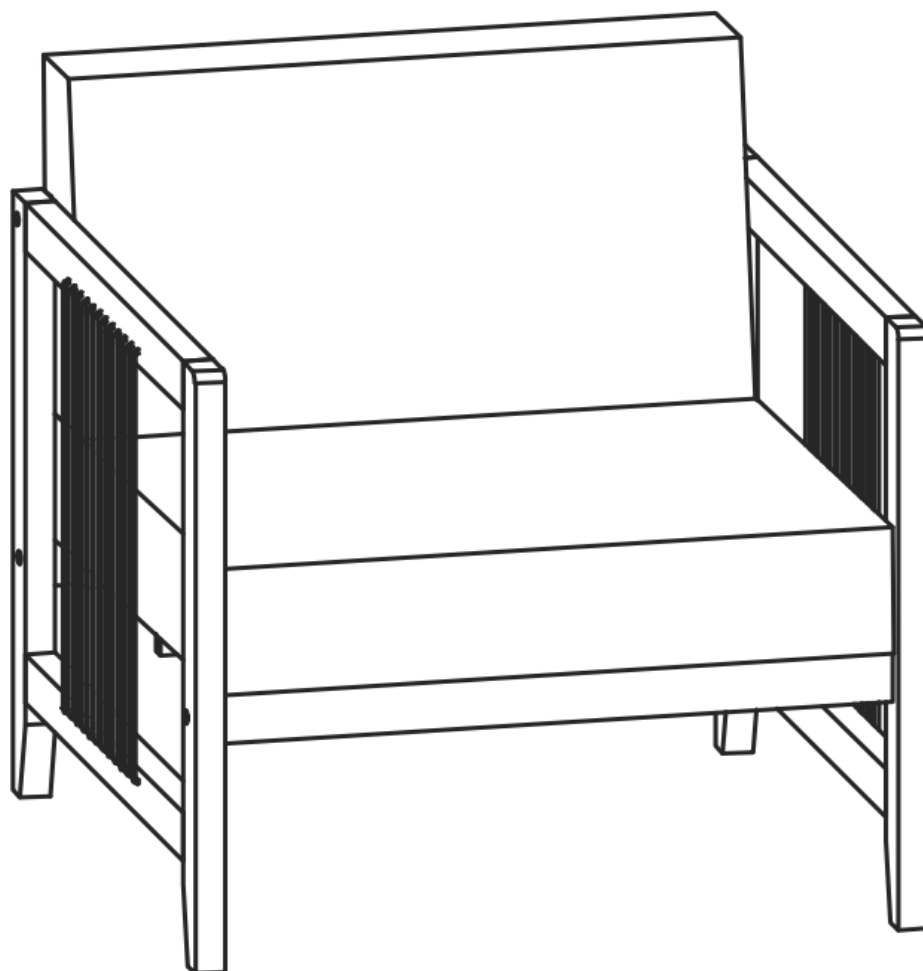
CAUTION: You must read these Assembly Instructions before you proceed.

Care & Maintenance

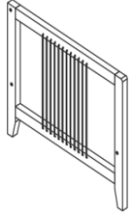
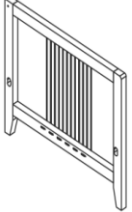

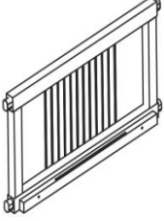
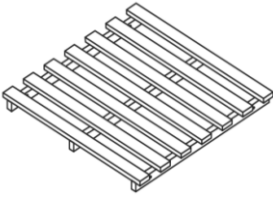
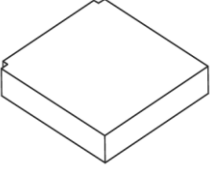
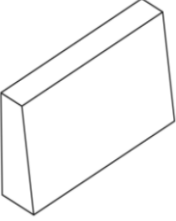
- ⊘  • Not for commercial use. For residential use only.
- ⊘  • Do not put hot items directly on furniture surface.
- ⊘  • Do not clean furniture with harsh cleansers or polish.
- ✓  • To obtain the longest lifespan of your outdoor products, minimizing exposure to direct sunlight is recommended.
- ⊘  • Children should not climb or jump on the furniture.
- ⊘  • Do not write on furniture without a padded barrier to protect the surface.
- ✓  • To obtain the longest lifespan of your outdoor products, avoid extended and lengthy exposure to rain, snow, and direct sunshine. Whenever possible cover the product and /or place under patio or awnings.
- ⊘  • Stains may be removed with mild soap solution and damp cloth.
- ✓  • Keep away from sources of ignition.
- ✓  • Dust and pick-up spills using a clean, non-colored, lint- free cloth.

Please look in the Leg Panel for Hardware packs.


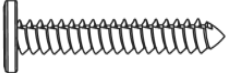

CHAIR



Parts List:

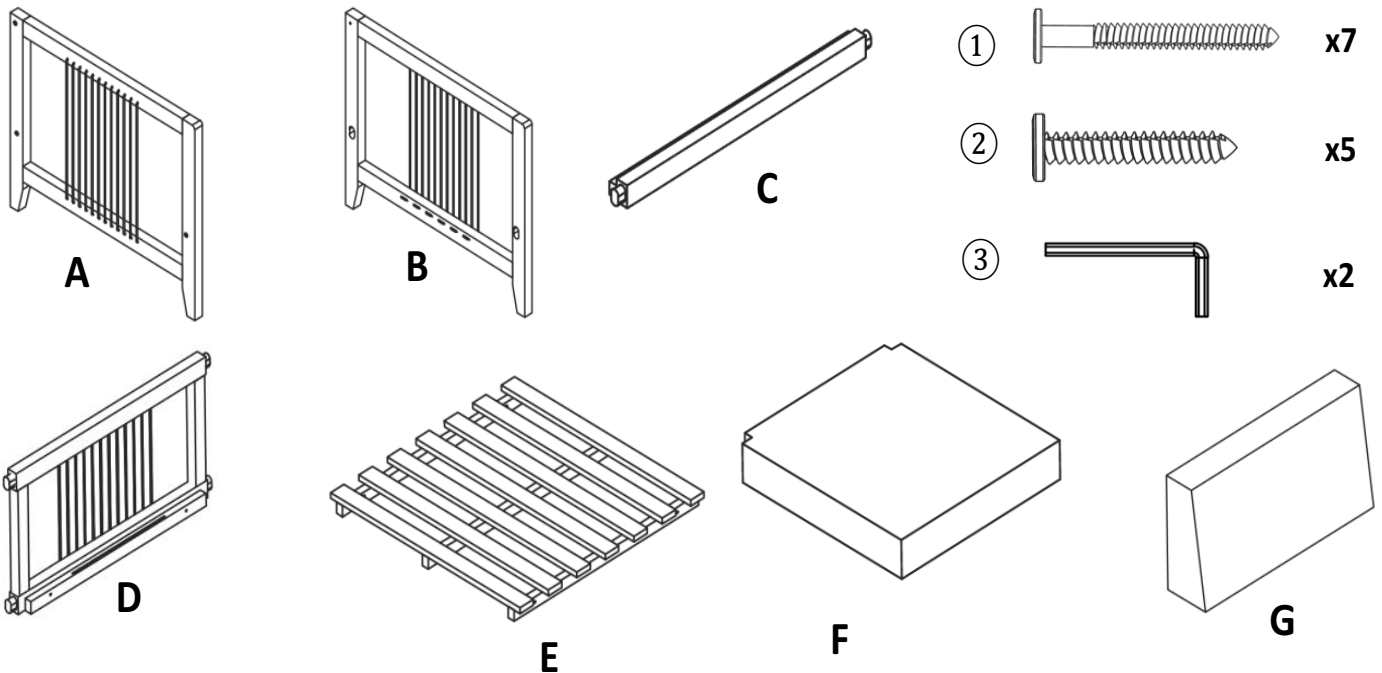
Label	Picture	Description	QTY
A		Left Leg	1
B		Right Leg	1
C		Front Bar	1
D		Backrest Panel	1
E		Seat Panel	1
F		Seat Cushion	1
G		Back Cushion	1

Hardware:

No	Picture	Description	QTY
①		Screw (M6*60mm)	7
②		Screw (M6*40mm)	5
③		Allen Wrench	2

Assembly Preparation:

Before Beginning Assembly:



- Read instructions, cover to cover-



- Have 2 adults on hand for assembly-



- Do not assemble on flooring or carpet-



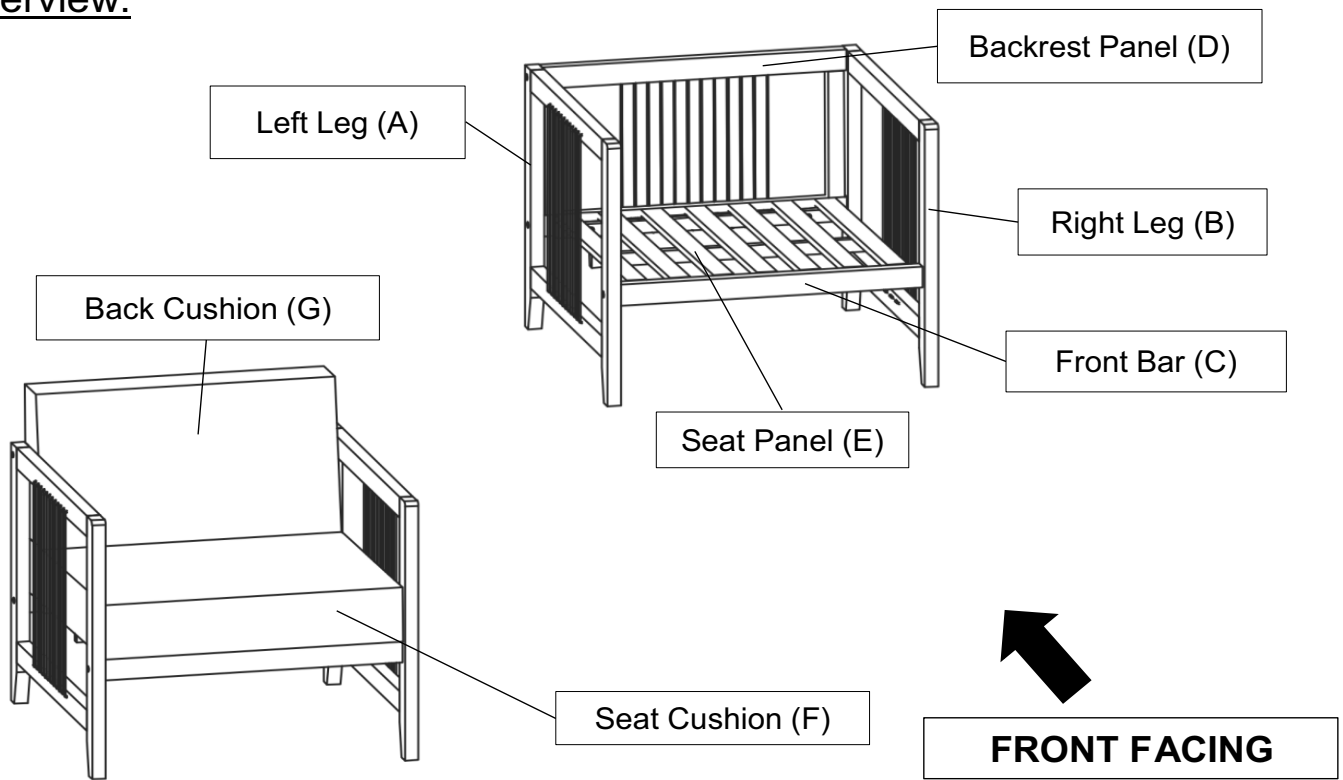
- Assemble on a clean non-marring surface (packing foam)-



- Save all packaging until finished-

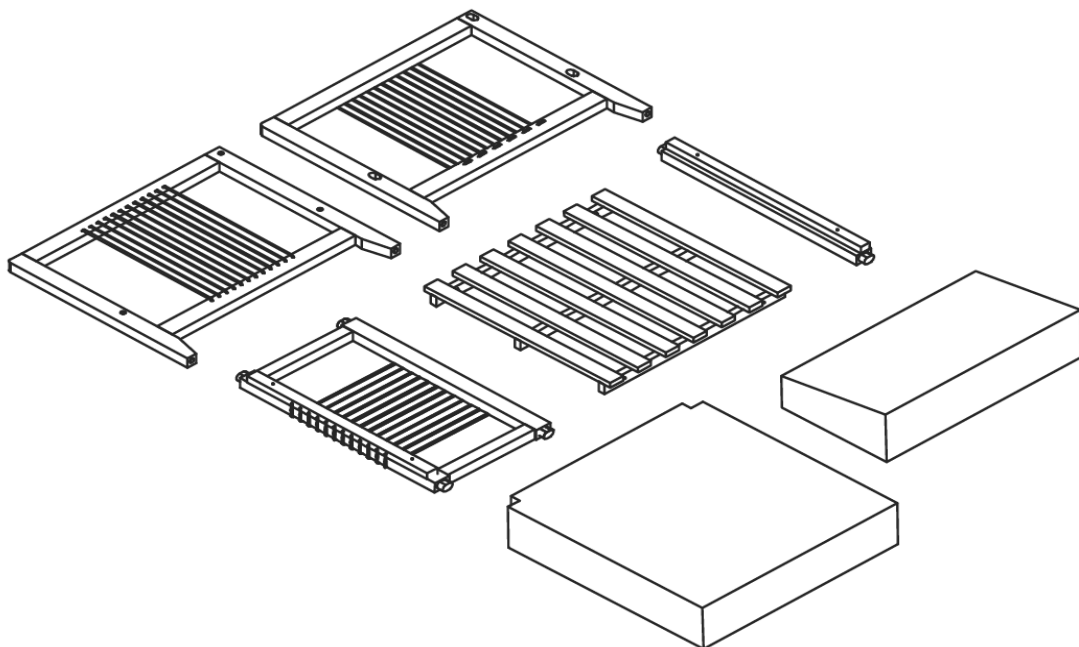
Assembly Steps:

Overview:



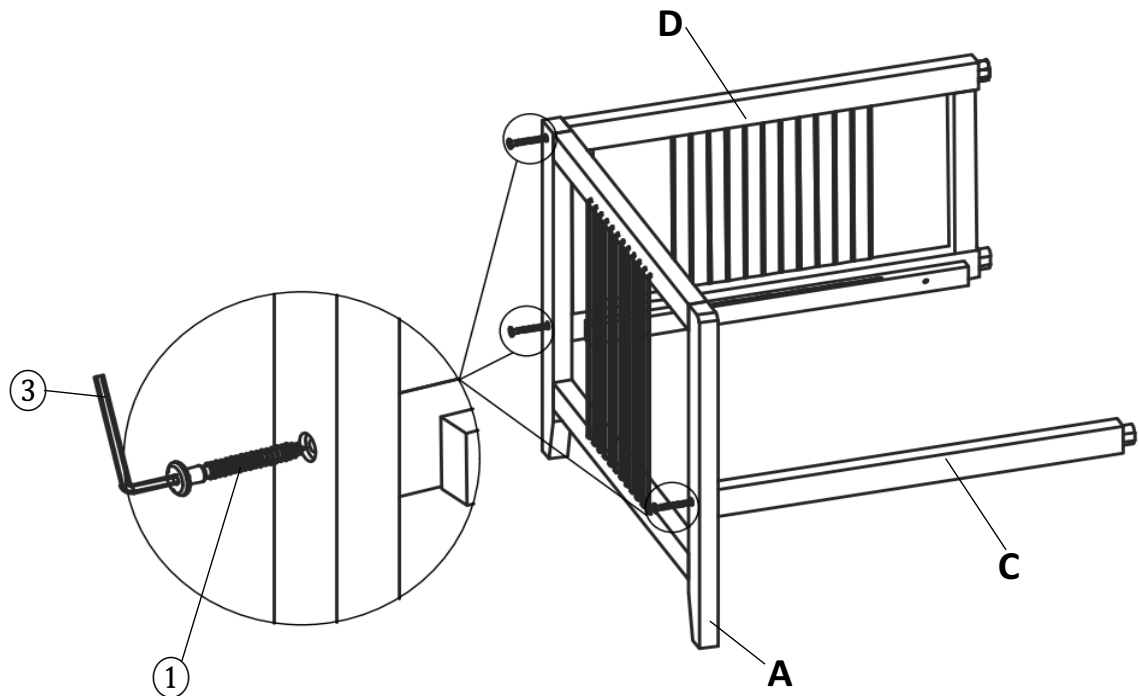
This Chair has multiple parts and may require up to 20 minutes to assemble. To give you an overview of the Chair parts, the above picture is to help you put the various parts into perspective. Please read through the instructions below to familiarise yourself with the parts and steps before assembly.

Step 1:



Unpack and place all parts on a clean, non-marring surface.

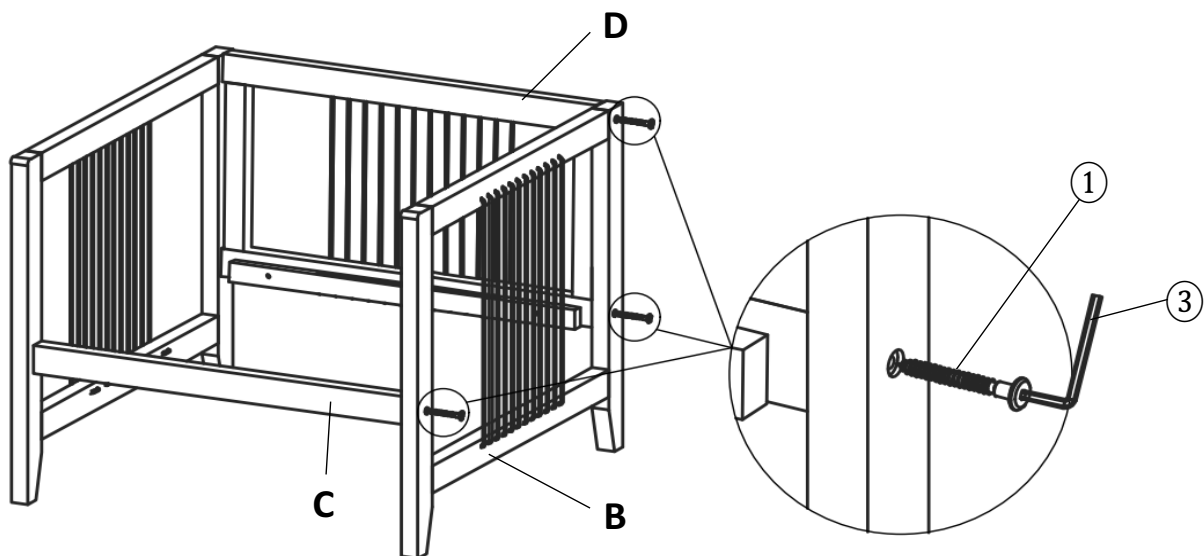
Step 2:



With the help of your adult partner, place the Left Leg (A) stand up as shown in above picture, then attach Front Bar (C) and Backrest Panel (D) to Left Leg (A) and secure by using Screws (1) with Allen Wrench (3).

Do not fully tighten the Screws.

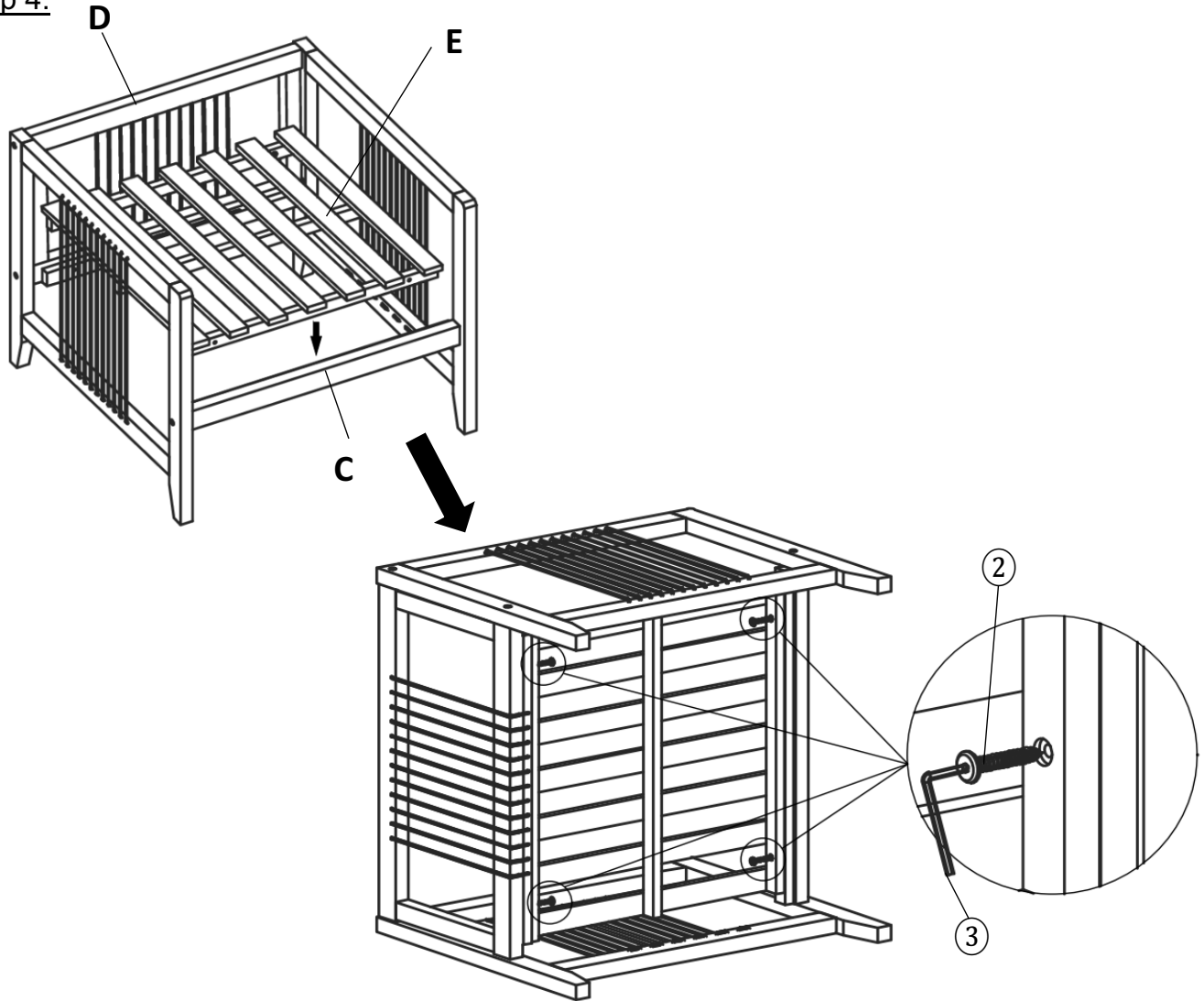
Step 3:



With the help of your adult partner, attach Right Leg (B) to Front Bar (C) and Backrest Panel (D) of the assembled part in Step 2 and then secure by using Screws (1) with Allen Wrench (3) as shown above.

Do not fully tighten the Screws.

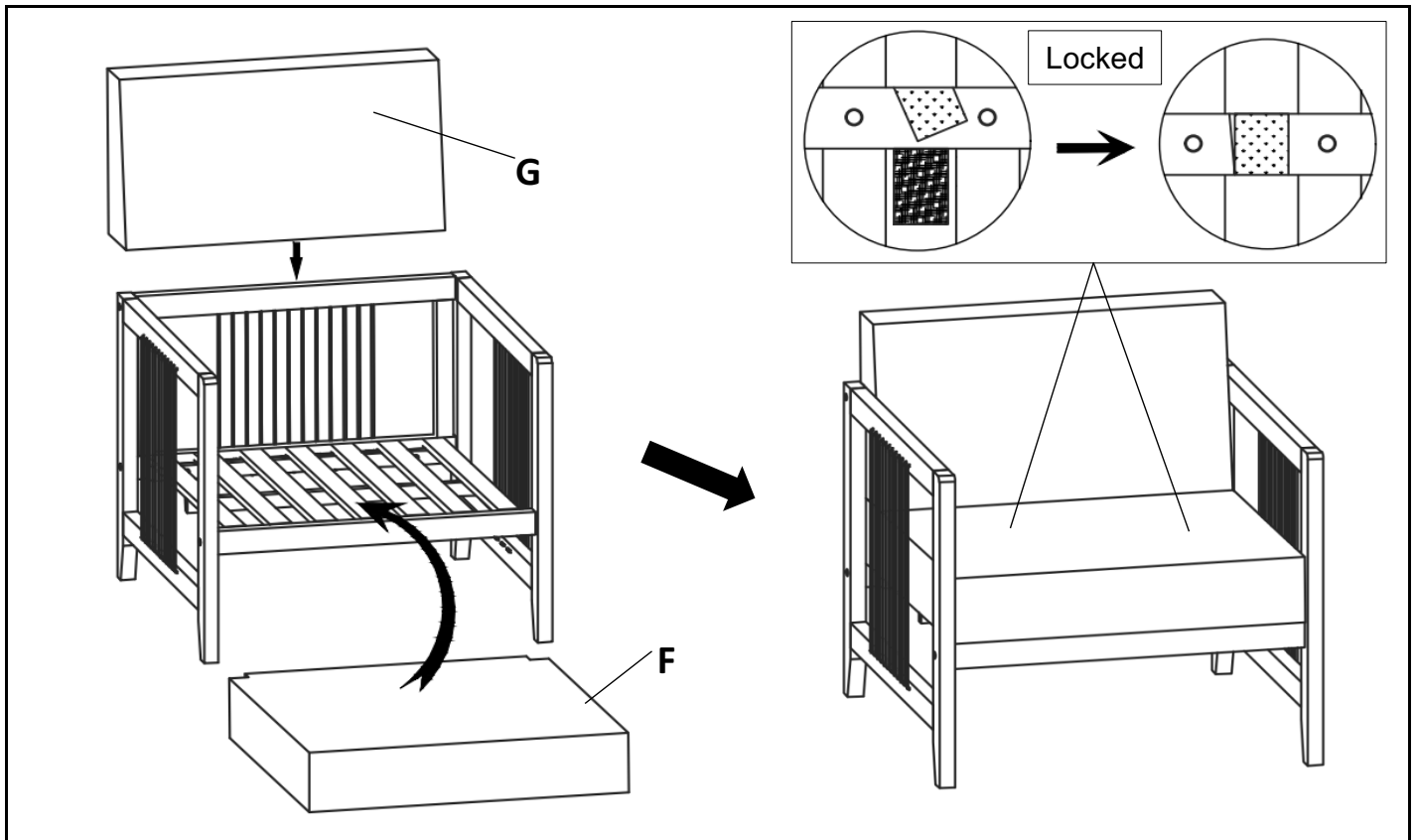
Step 4:



Place Seat Panel (E) onto the assembled part in Step 3 as shown above.

With the help of your adult partner, place the above frame right side down then secure the Seat Panel (E) to Front Bar (C) and Backrest Panel (D) by using Screws (②) and Allen Wrench (③) as shown above.

Do not fully tighten the Screws.



Inspect it and make sure all parts are adequately connected.

With the help of your adult partner, turn the Chair right side up.

Gently and gracefully, sit onto the Chair.

This will help to align all the parts at all joint areas.

Then get off the Chair and in a sequential manner, gradually tighten all Screws at all joints until evenly connected.

If there are still wobbles, loosen the Screws and execute this same process.

Place the Seat Cushion (F) by affix the Magic Tape Straps on the Seat Panel (E) and then place the Back Cushion (G) onto the Seat Cushion (F) as shown above.

WARNING!! IF CHAIR IS NOT STABLE, IT COULD LEAD TO DAMAGING THE PRODUCT.

Your Chair is ready for use.

This Chair can only be used on a flat, level surface.