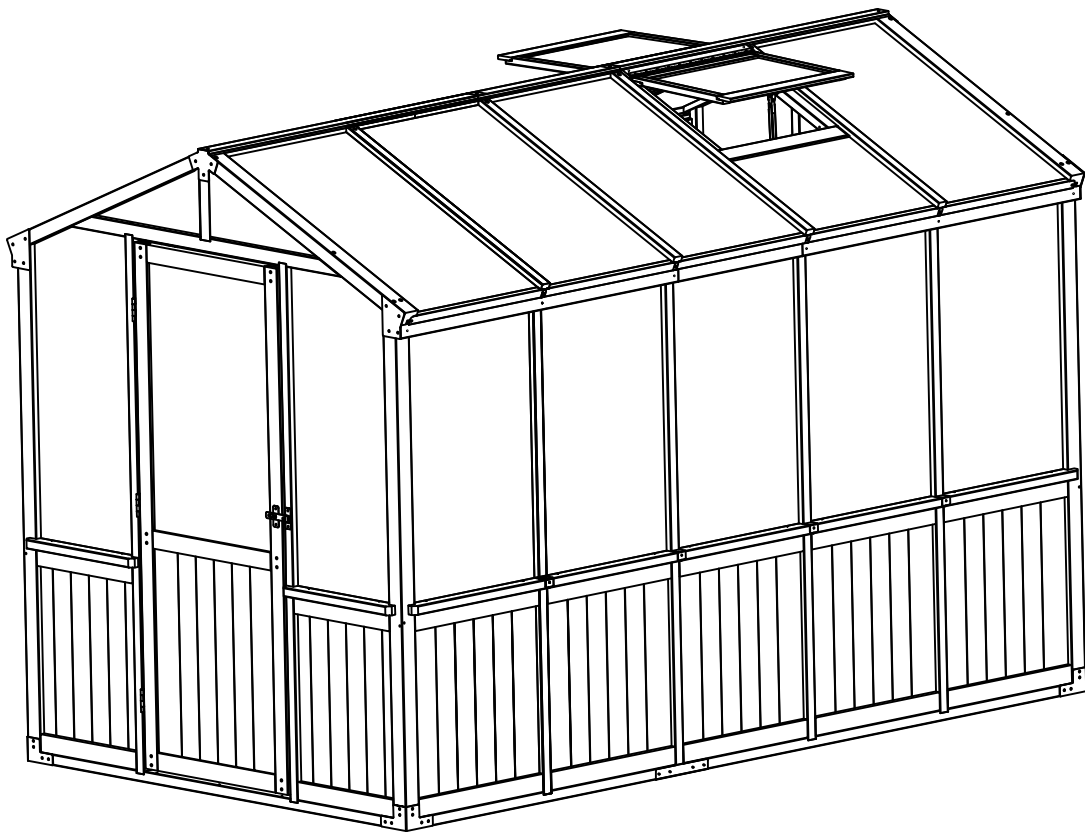


# ASSEMBLY INSTRUCTION

## 6x10FT WOOD GREENHOUSE

ITEM NO.: WGH0610



### **Before You Start**

Please read all instruction carefully.

Retain instructions for future reference.

Separate and count all parts and Hardware.

Read through each step carefully and follow the proper order.

Keep all small parts and packaging materials for this product

## Important Safety Instructions



**Warning!** To reduce the risk of serious injury, read the following safety instructions before assembling and using the greenhouse.

Please check with your local governing authority/local municipal codes regarding installation of structures before assembly.

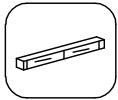
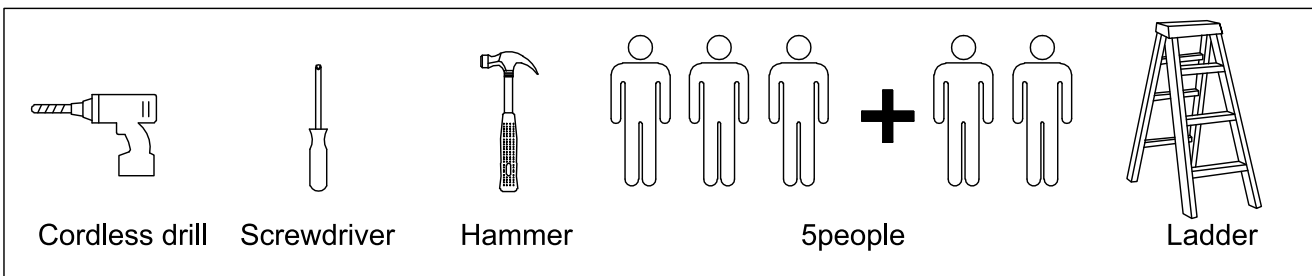
**Caution!** Proper placement of your greenhouse is essential.  
Do not place the product underneath electrical lines.  
Keep children away during assembly.  
This product contains small parts which can be swallowed by children.  
Keep fingers away from the places where they can be pinched or trapped.  
Do not attempt to assemble the greenhouse if any parts are missing.

- This product is intended for domestic outdoor use only.
- The product should be placed on flat, horizontal ground.
- Ensure enough clearance around the product. Before assembling the product, find level ground not less than 6' (1.8 m) away from any structures or obstructions, such as fences, garages, houses, overhanging branches, laundry lines, or electrical wires.
- This greenhouse is not to be regarded as part of a building/house structure. The greenhouse is to be anchored onto the ground for added safety. Do not assemble the it onto soil/earth ground. It is best advisable to have the greenhouse built onto a wooden deck or concrete ground for stability. If it's to be build onto a wooden deck/ground, do ensure that the wood deck/ground has a strong foundation. It is advisable to use appropriate floor plugs to anchor the greenhouse onto the wooden/concrete ground.
- Some structures may require two or more people to install safely. Check for underground utilities before digging or driving stakes into the ground.
- During installation, follow all safety warnings provided with your tools, and use safety glasses.
- In case you set up more than one greenhouse, keep a minimum distance of 10' (3 m) between the gazebos or greenhouse.
- Any assembly or maintenance of the product must be carried out by adults only.
- Arrange necessary manpower when assembling or moving the product.
- Some parts may contain sharp edges. Wear protective gloves if necessary.
- Keep children and pets away while setting up the greenhouse.
- Check all nuts and bolts periodically to ensure bolts/nuts are tightened.
- Repairing and replacing parts should be done by a qualified technician.
- Do not light any fires inside or near the product!
- Stay calm if fire breaks out. Search for the nearest exit. Do not return to the greenhouse before firemen allow you to do so.
- Do not hang heavy weights on the roof frame.
- Do not climb onto the roof of the greenhouse. Falling off the greenhouse can result in serious injury.
- Retain the original packaging to store the greenhouse.

**Country of Origin: China**

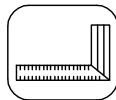
## IMPORTANT:

- Please read and understand this manual before any assembly. Before beginning assembly of product, make sure all parts are present. Compare parts with packaging contents list.
- If any part is missing, or if you have any questions, contact the service centre .
- When assembling wooden parts, do not overtorque the bolts to avoid splitting the wood. See image illustration.
- Place all parts from the box in a cleared area and position them on the floor in front of you.
- Remove all packing materials and place them back into the box. Do not dispose of the packing materials until assembly is complete.
- Read each step carefully before beginning any assembly and make sure you understand each step. If you are missing a part, please email : [aftersales.group.sam@gmail.com](mailto:aftersales.group.sam@gmail.com)
- Needed for assembly: (The following tools are not included)



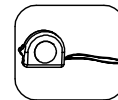
### Use Level

Check that assembly is properly level before proceeding.





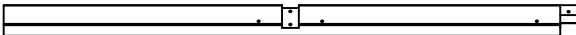

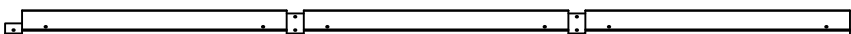



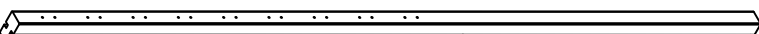




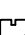
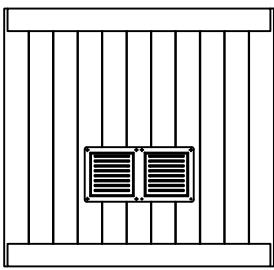

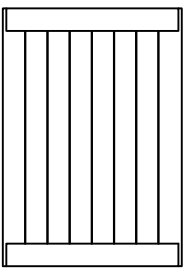

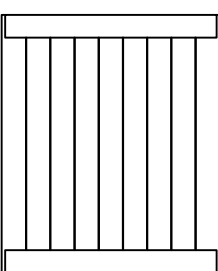

### Square Assembly



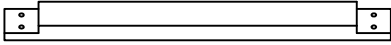










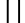
















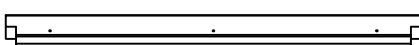

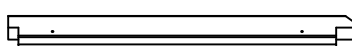

Check that assembly is square before tightening bolts.

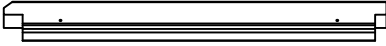

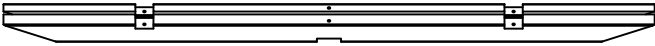
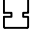
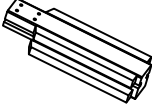
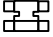
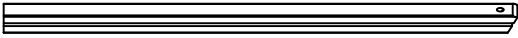

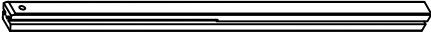

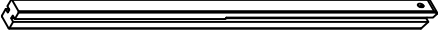

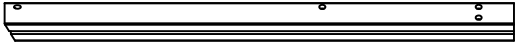
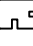
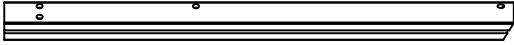
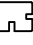
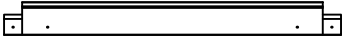

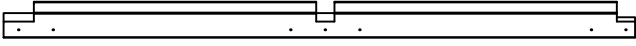

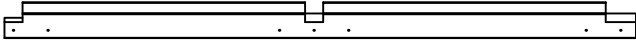



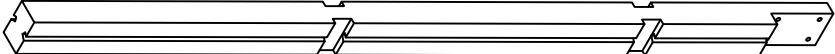



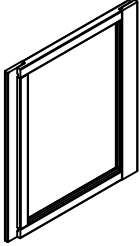





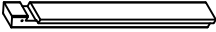

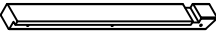

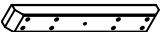







### Measure Distance


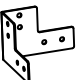







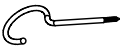

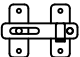
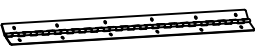
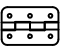





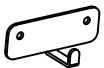


# PARTS LIST

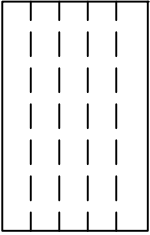
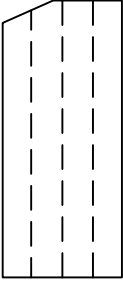
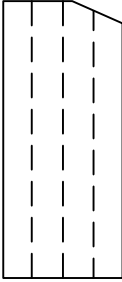
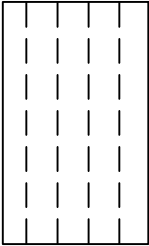
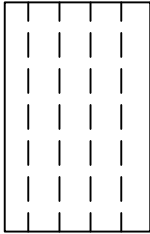
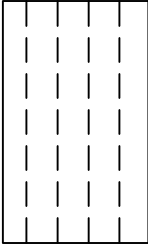
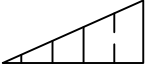

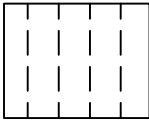
LABEL	QTY	REFERENCE IMAGE	
01A	2	 <p data-bbox="1125 340 1236 362">60*36*1800</p>	
001L	2	 <p data-bbox="1125 481 1236 504">60*36*1192</p>	
01R	2	 <p data-bbox="1125 627 1236 649">60*36*1788</p>	
02A	8	 <p data-bbox="1125 750 1252 772">60*36*1704.4</p>	
02B	2	 <p data-bbox="1125 884 1236 907">60*36*1800</p>	
02L	2	 <p data-bbox="1125 1030 1252 1052">60*60*1704.4</p>	
02R	2	 <p data-bbox="1125 1164 1252 1187">60*60*1704.4</p>	
03A	1		
03B	4		
03C	11		


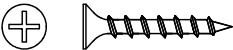
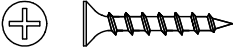
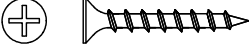
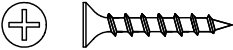
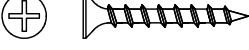
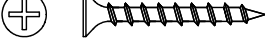





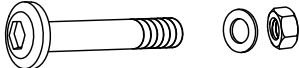

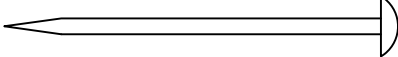

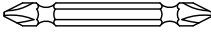
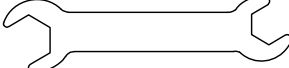

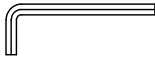
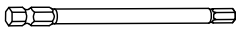
LABEL	QTY	REFERENCE IMAGE	
04A	2		
04B	1		
04C	2		
04L	1		
04R	1		
05A	20		
05B	4		
05C	1		
05D	10		
05E	4		
05F	1		
06A	2		
06B	6		
06C	1		
06D	1		
06E	1		
06L	2		

LABEL	QTY	REFERENCE IMAGE	
06R	2	 <p data-bbox="1126 365 1225 387">60*30*607</p>	
07	2		
08	2		
09A	4	 <p data-bbox="1126 781 1259 804">48*36*1018.6</p>	
09B	2	 <p data-bbox="1126 916 1259 938">48*36*1018.6</p>	
09C	2	 <p data-bbox="1126 1059 1259 1081">48*36*1018.6</p>	
09L	2	 <p data-bbox="1126 1196 1235 1218">60*48*1010</p>	
09R	2	 <p data-bbox="1126 1335 1235 1357">60*48*1010</p>	
10D	2	 <p data-bbox="1126 1473 1225 1496">80*24*632</p>	
10B	2	 <p data-bbox="1126 1615 1235 1637">80*24*1252</p>	
10C	2	 <p data-bbox="1126 1751 1235 1774">80*24*1252</p>	
11	10	 <p data-bbox="1126 1888 1259 1910">60*30*20*555</p>	
13D	2	 <p data-bbox="1126 2029 1235 2051">70*48*1552</p>	

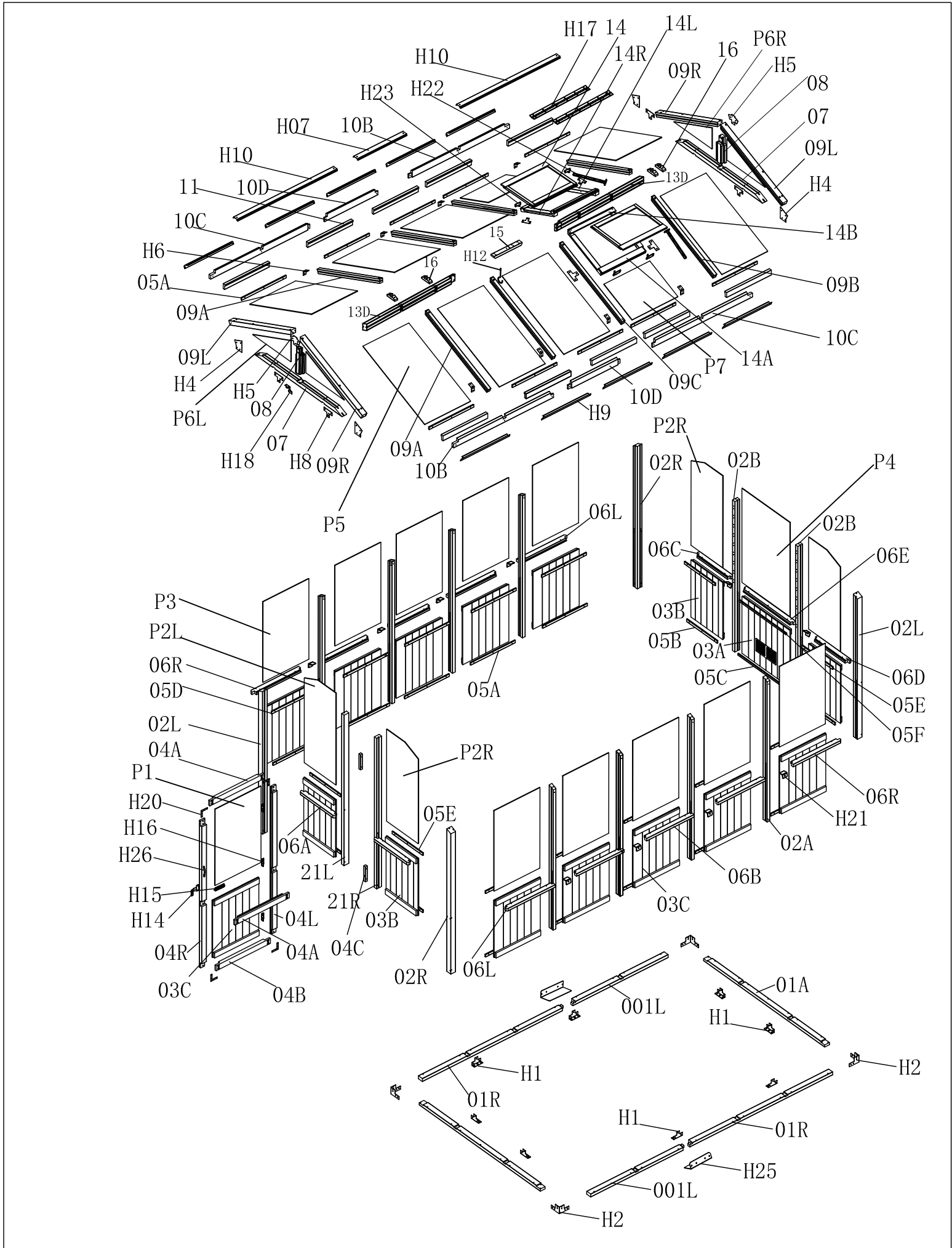
LABEL	QTY	REFERENCE IMAGE		
14	2			
14A	2		60*36*559	
14B	2		54.2*24*559	
14L	2		50*32*490	
14R	2		50*32*490	
15	1			
16	4			
21L	1			
21R	1			

LABEL	QTY	REFERENCE IMAGE	LABEL	QTY	REFERENCE IMAGE
H1	8		H2	4	
H4	4		H5	2	
H6	8		H8	8	
H9	10		H10	2	
H07	1		H12	1	
H15	1		H14	1	
H17	2		H16	3	
H20	4		H18	1	
H22	2		H21	10	
H24	1		H23	4	
H26	1		H25	2	

LABEL	QTY	REFERENCE IMAGE	LABEL	QTY	REFERENCE IMAGE
P1	1	 <p data-bbox="411 577 580 613">(909x577)</p>	P2L	2	 <p data-bbox="1158 591 1347 627">(1098x473)</p>
P2R	2	 <p data-bbox="411 1021 600 1057">(1098x473)</p>	P3	10	 <p data-bbox="1206 1025 1375 1061">(960x577)</p>
P4	1	 <p data-bbox="402 1406 593 1442">(1098x714)</p>	P5	8	 <p data-bbox="1187 1415 1378 1451">(1002x577)</p>
P6L	2	 <p data-bbox="414 1671 584 1706">(557x248)</p>	P6R	2	 <p data-bbox="1190 1671 1359 1706">(557x248)</p>
P7	2	 <p data-bbox="405 1975 577 2011">(577x460)</p>			

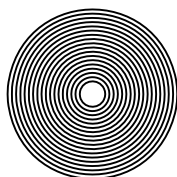
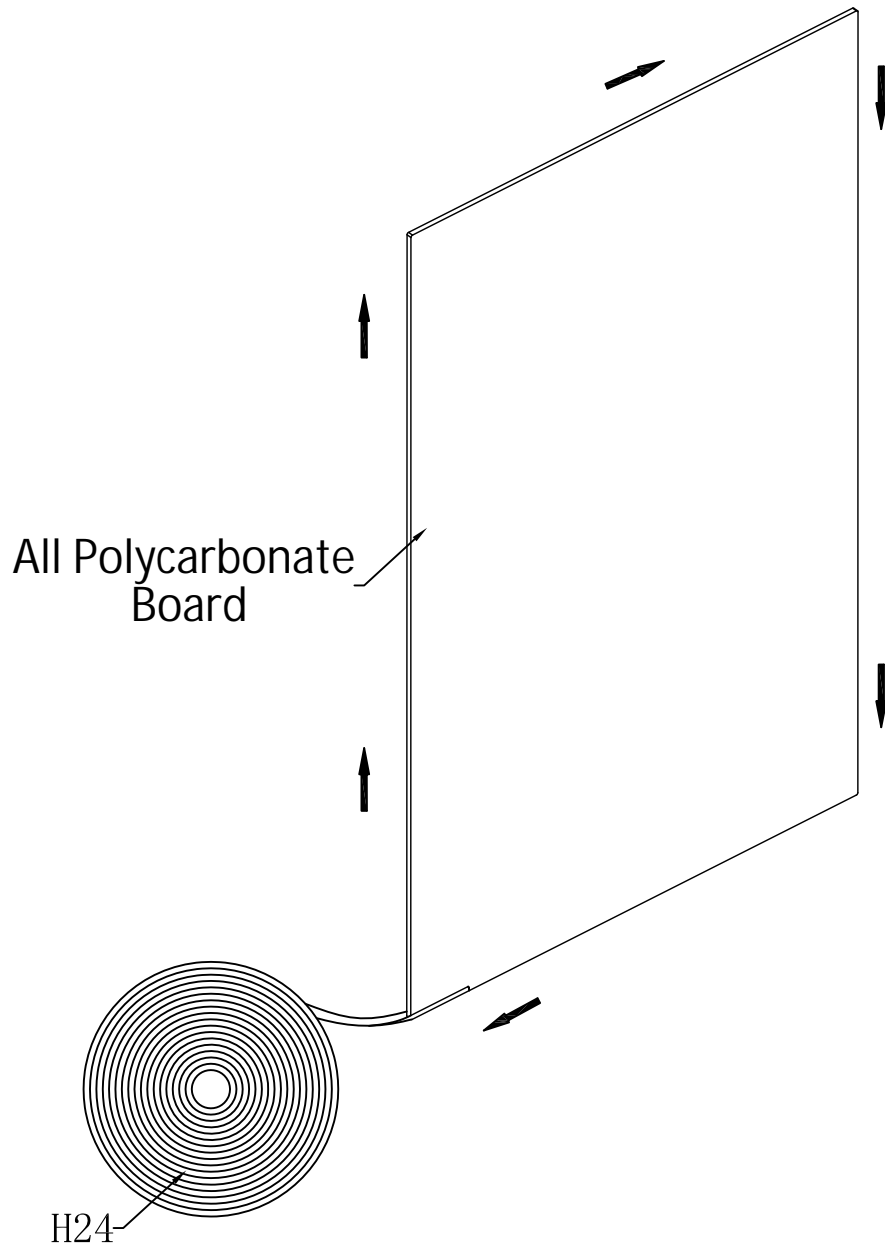
LABEL	QTY	DESCRIPTION	REFERENCE IMAGE
AA-1	36+2	M3x20	
AA-2	12+2	M3x20	
AA-3	2+1	M3x18	
AA-4	4+1	M3x40	
BB-2	188+15	M4x25	
BB-3	79+7	M4x30	
BB-4	57+4	M4x40	
BB-5	97+7	M4x50	
BB-6	113+10	M4x60	
BB-9	16+2	M4x90	
00	50	M5	
DD-3	12+1	M6x35	
DD-5	4+1	M6x55	
MM-1	12+1	M6	
UU	16	∅6x200	
QQ	8	M10x80	
Y2	2	M6	
Y3	1	M6	
Y4	1	M10	
Y6	1	M6	
Y7	1	M6	

# EXPLODED DRAWING



# STEP. 1

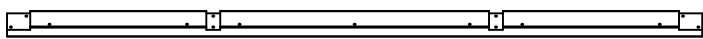
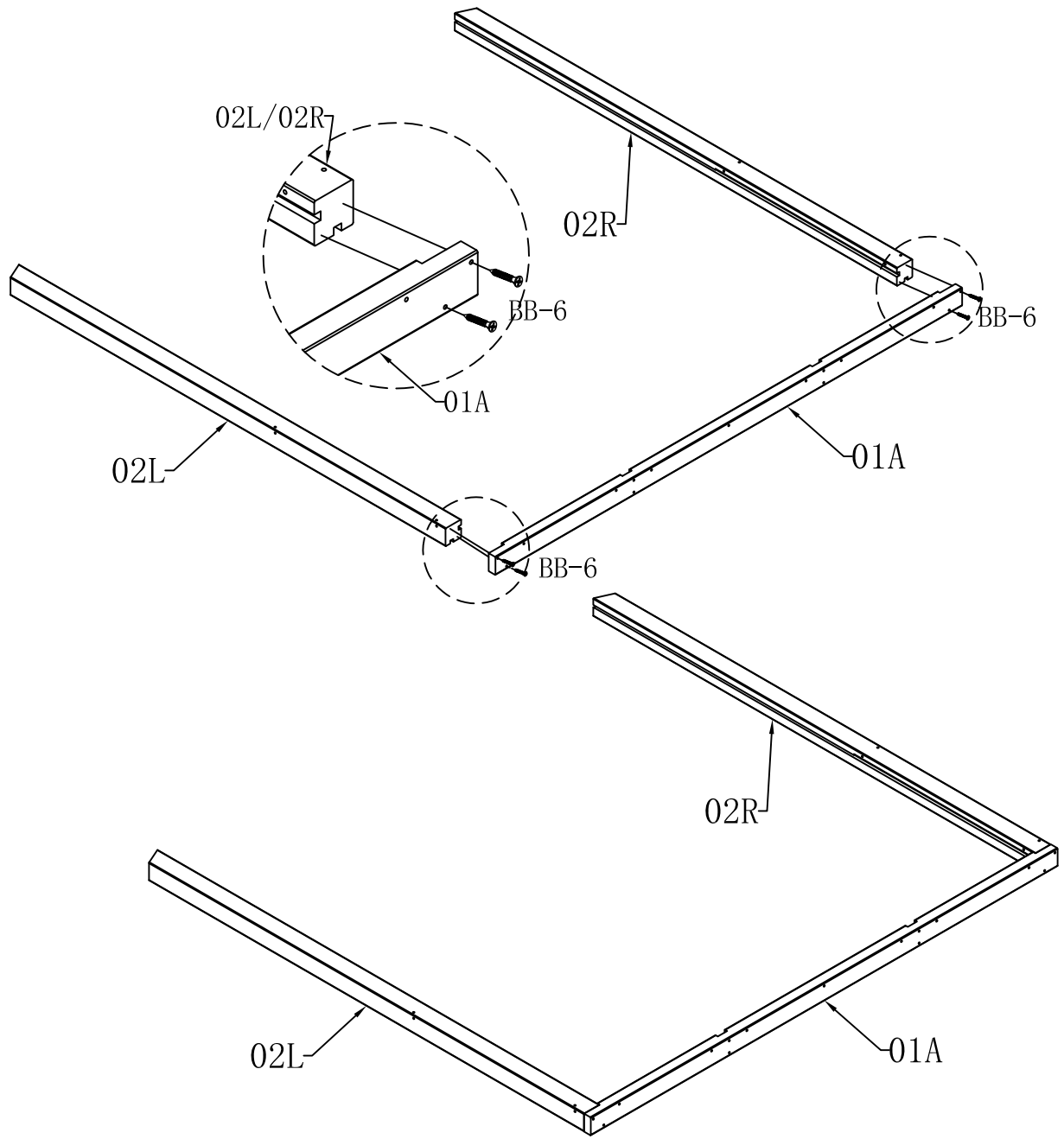
Use the Part (H24) to wrap around 4 sides of the polycarbonate board, making sure all edges snap into place to seal the edges.



H24 1X

# STEP. 2

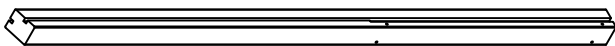
Attach the Part (01A) to connect the Part (02L) and Part (02R) by Screw (BB-6).



(01A) 1X



(02L) 1X



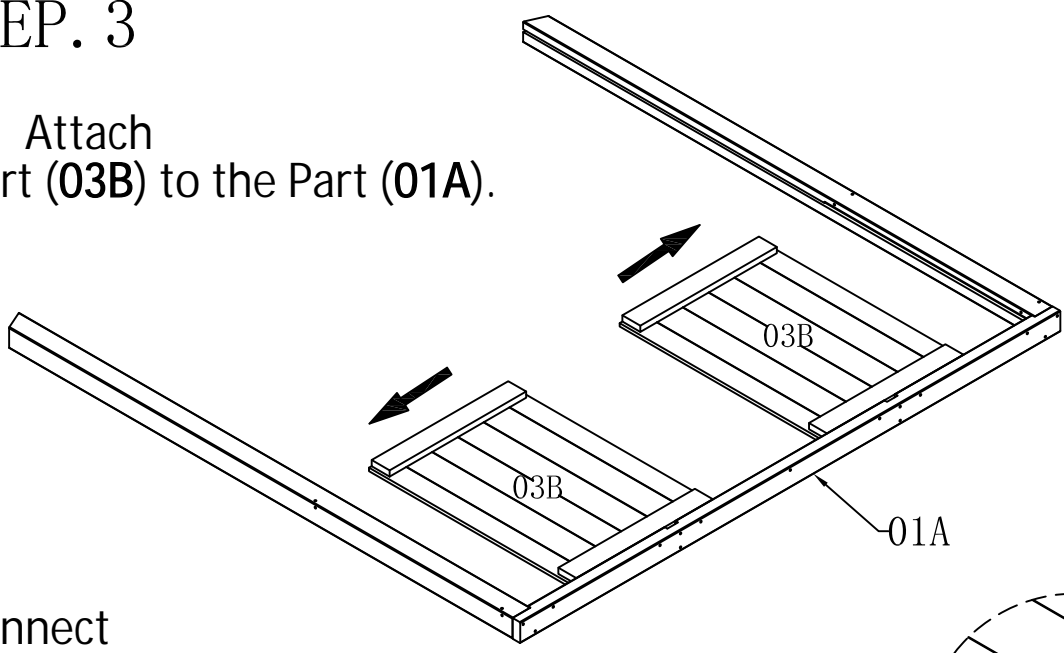
(02R) 1X



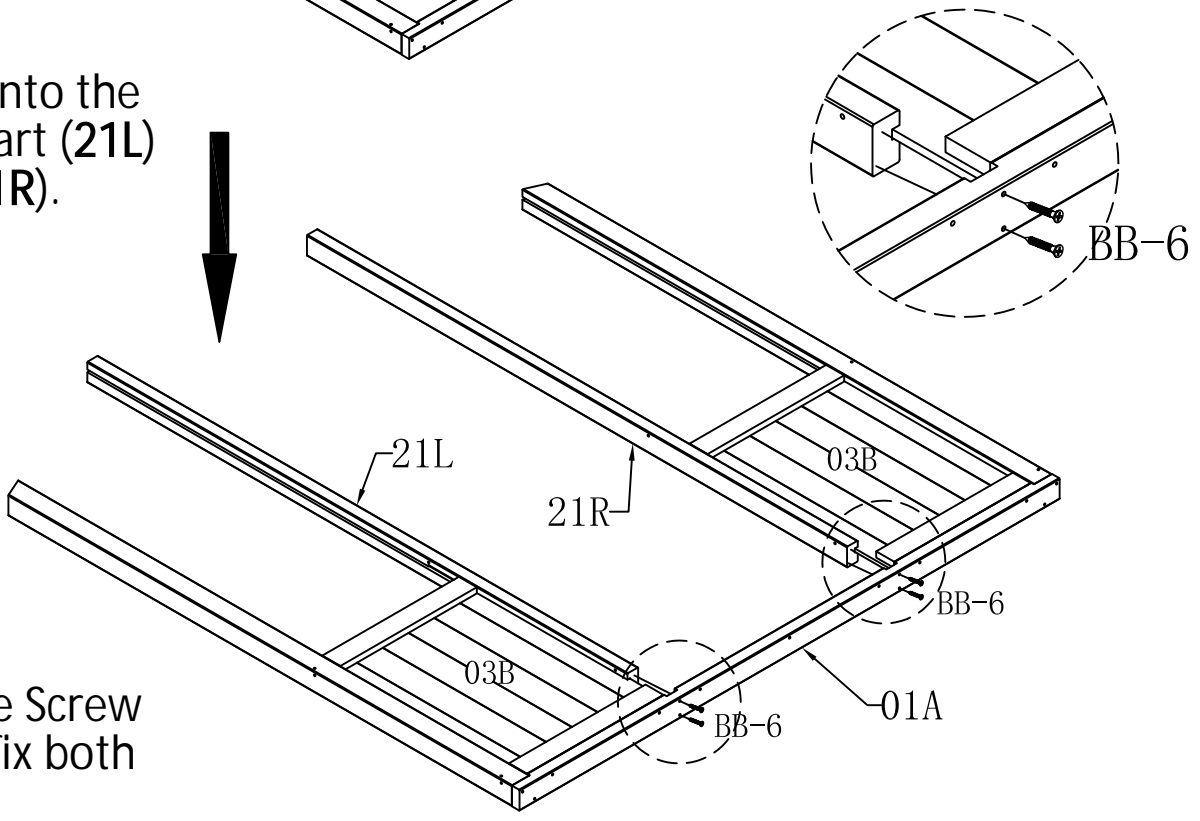
M4x60 (BB-6) 4X

# STEP. 3

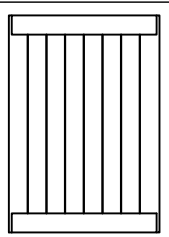
Attach Part (03B) to the Part (01A).



Connect Part (03B) into the groove of Part (21L) and Part (21R).



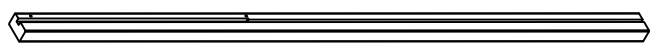
Use the Screw (BB-6) to fix both two side.



(03B) 2X



(21L) 1X

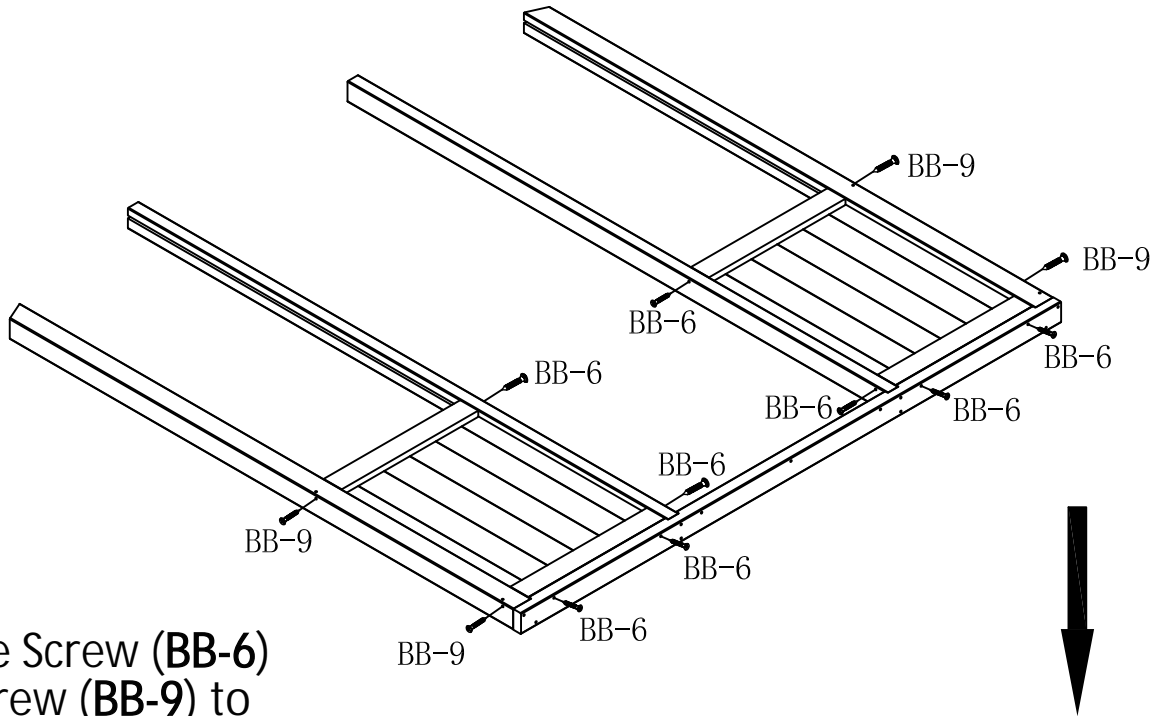


(21R) 1X

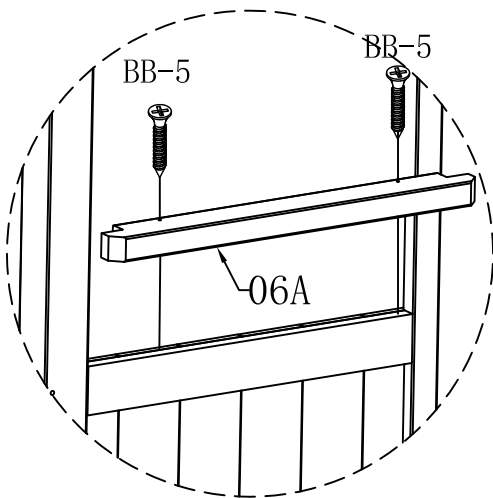


M4x60 (BB-6) 4X

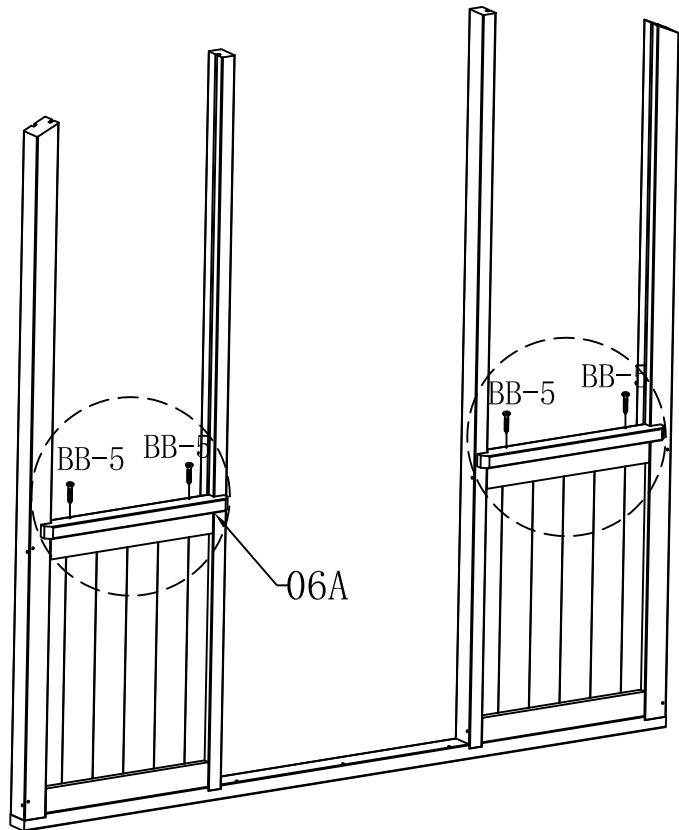
# STEP. 4



Use Screw (BB-6)  
and Screw (BB-9) to  
fix the frame.



Connect the Part  
(06A) to above frame by  
Screw (BB-5).



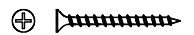
06A 2X



M4x50 BB-5 4X



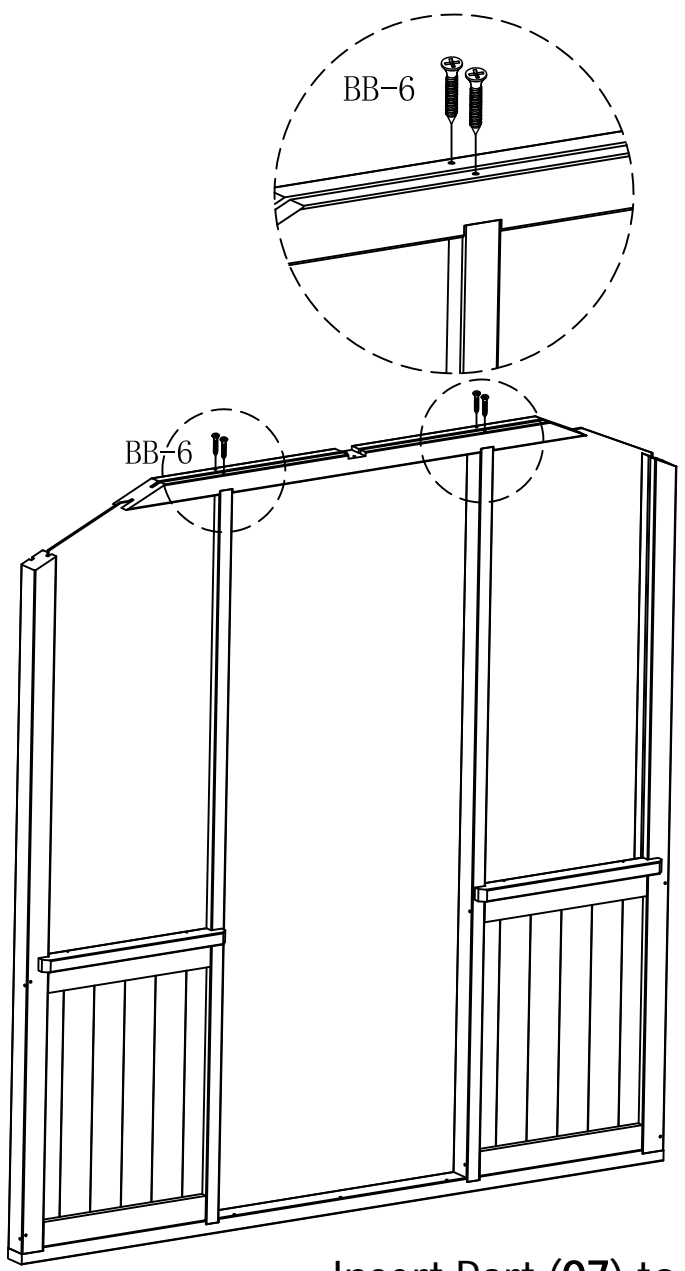
M4x60 BB-6 8X



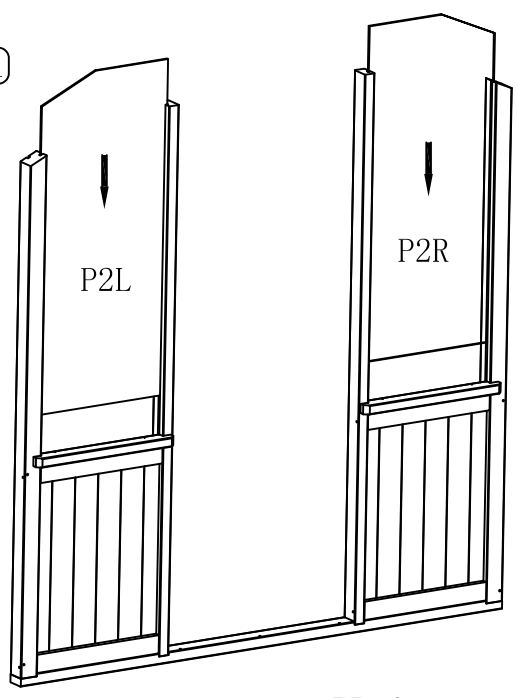
M4x90 BB-9 4X

# STEP. 5

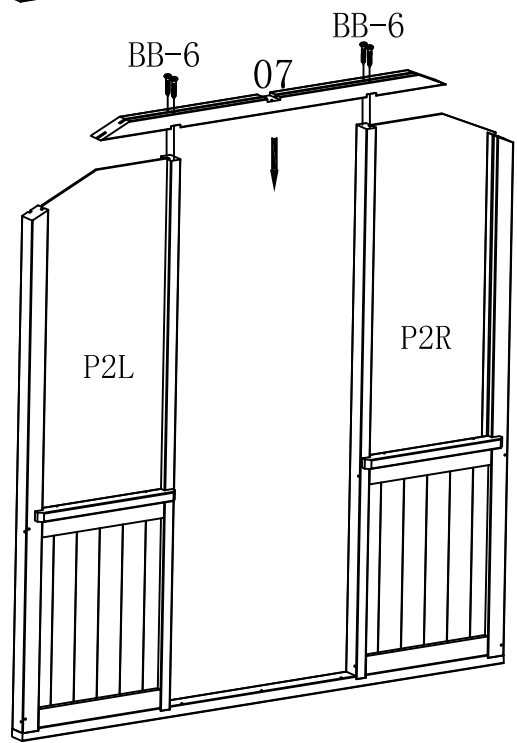
Insert door polycarbonate board Part (P2L) and Part (P2R) into the assembled door frame.



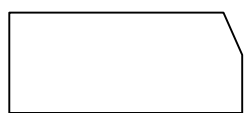
## STEP. 1



## STEP. 2

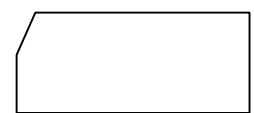


Insert Part (07) to polycarbonate board, then use the Screw (BB-6) to fix.



(P2L) 1X

(1098x473)

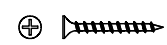


(P2R) 1X

(1098x473)



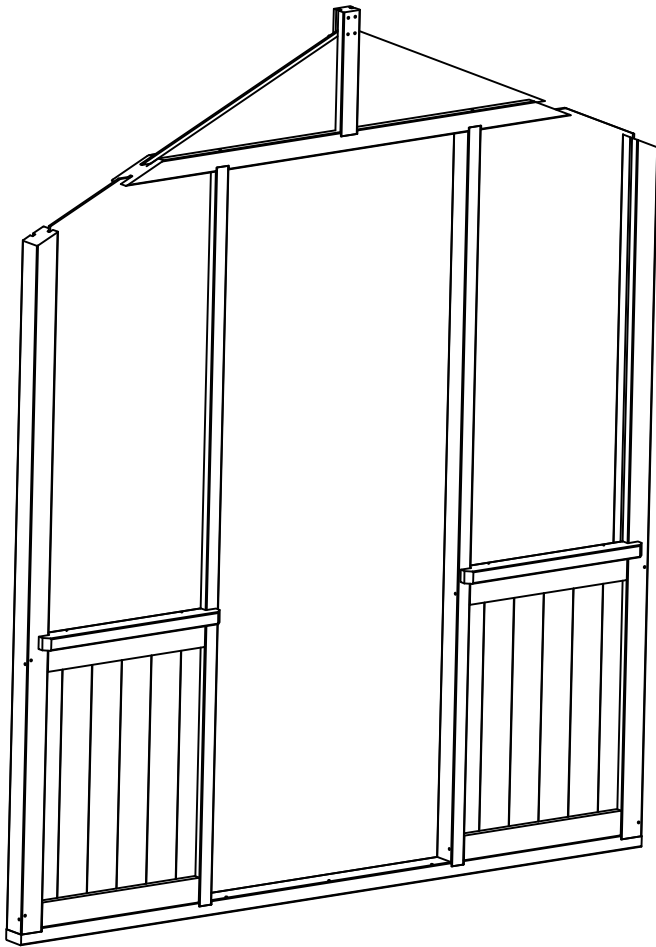
(07) 1X



M4x60 (BB-6) 4X

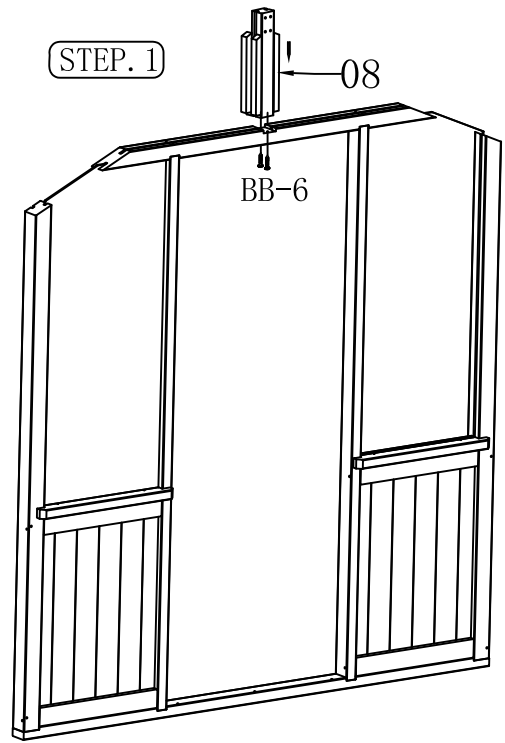
# STEP. 6

Connect the Part (08) to the door beam by Screw (BB-6).

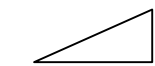
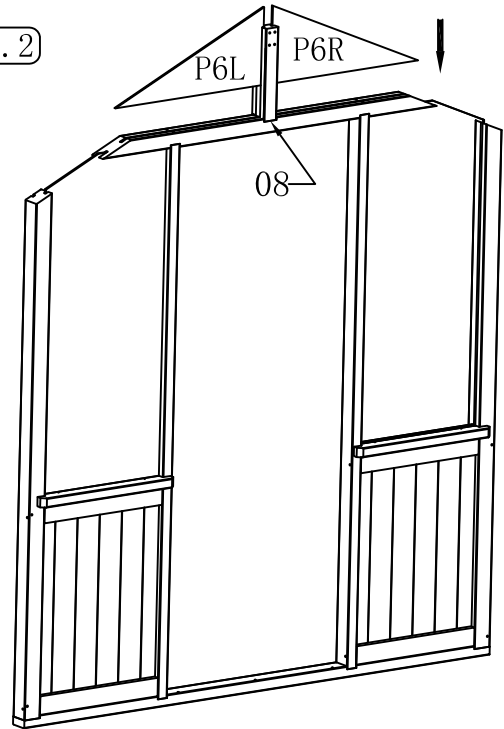


Insert the Part (P6L) and Part (P6R) into top beam of door Part (08).

STEP. 1

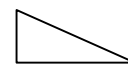


STEP. 2



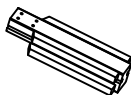
(557x248)

P6L 1X



(557x248)

P6R 1X



08 1X

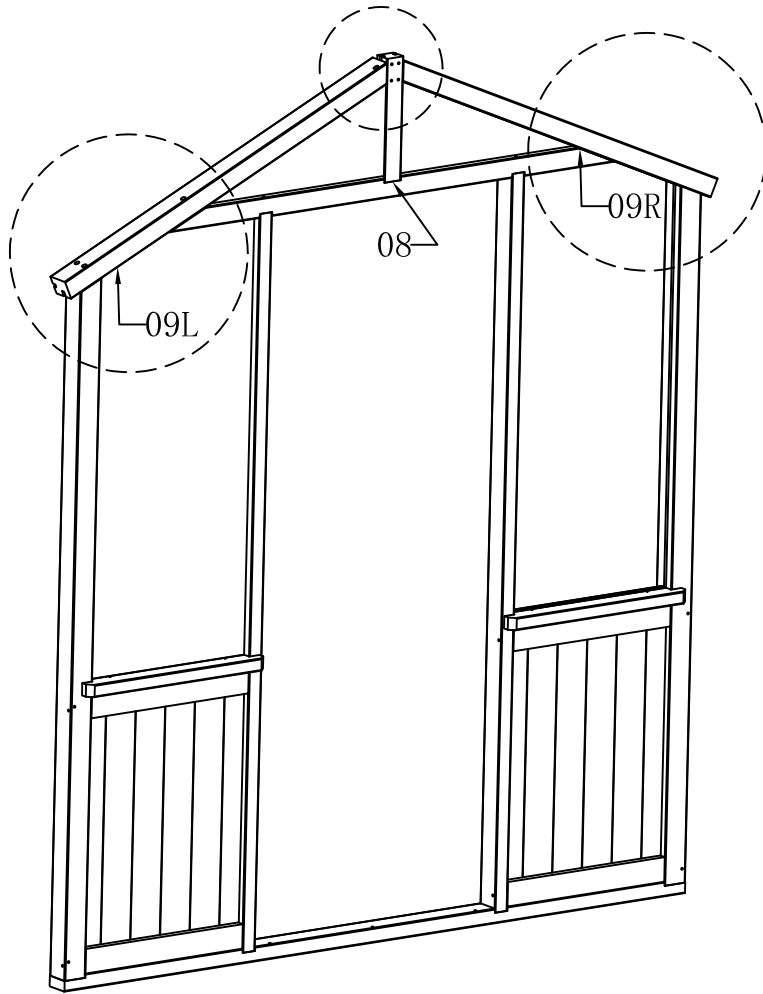


M4x60 BB-6 2X

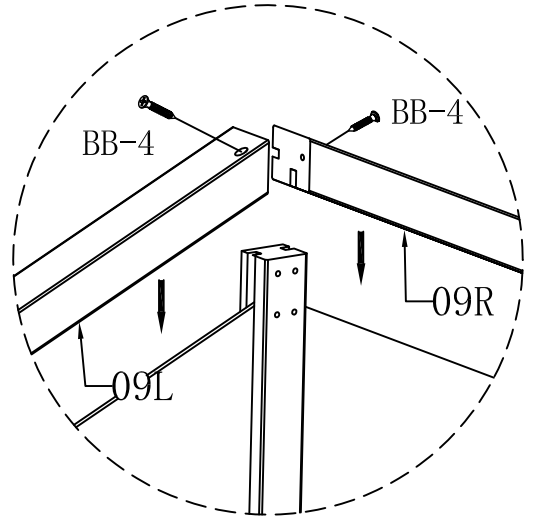
# STEP. 7

Connect the Part (09L) and Part (09R) to the Part (08) by Screw (BB-4) and Screw (BB-6).

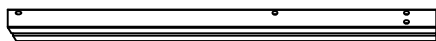
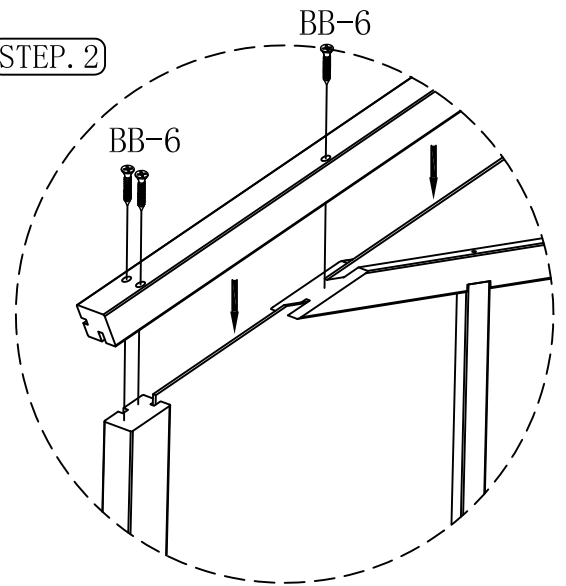
\* Please note the polycarbonate board need to be insert into the wood frame, then fix the screw.



## STEP. 1



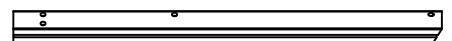
## STEP. 2



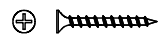
(09L) 1X



M4x40 (BB-4) 2X



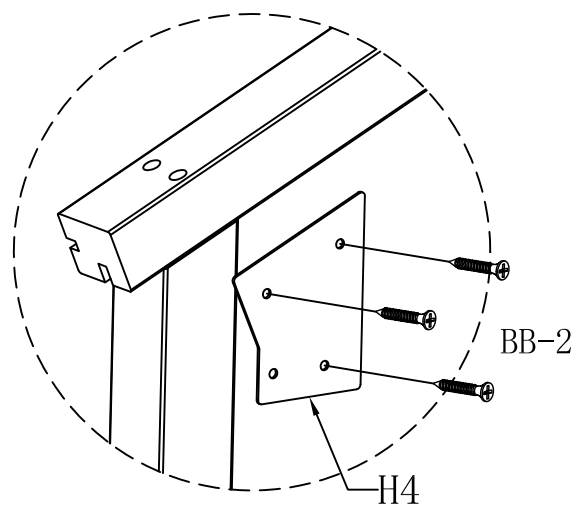
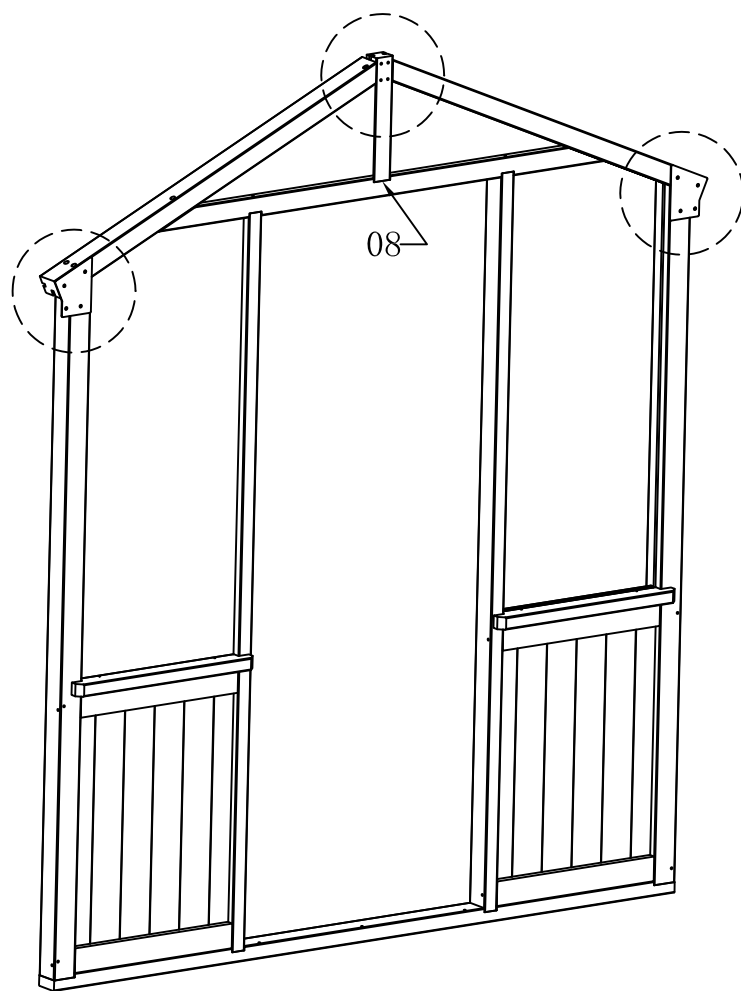
(09R) 1X



M4x60 (BB-6) 6X

# STEP. 8

Connect the Part (H4) to the assembled frame by Screw (BB-2).



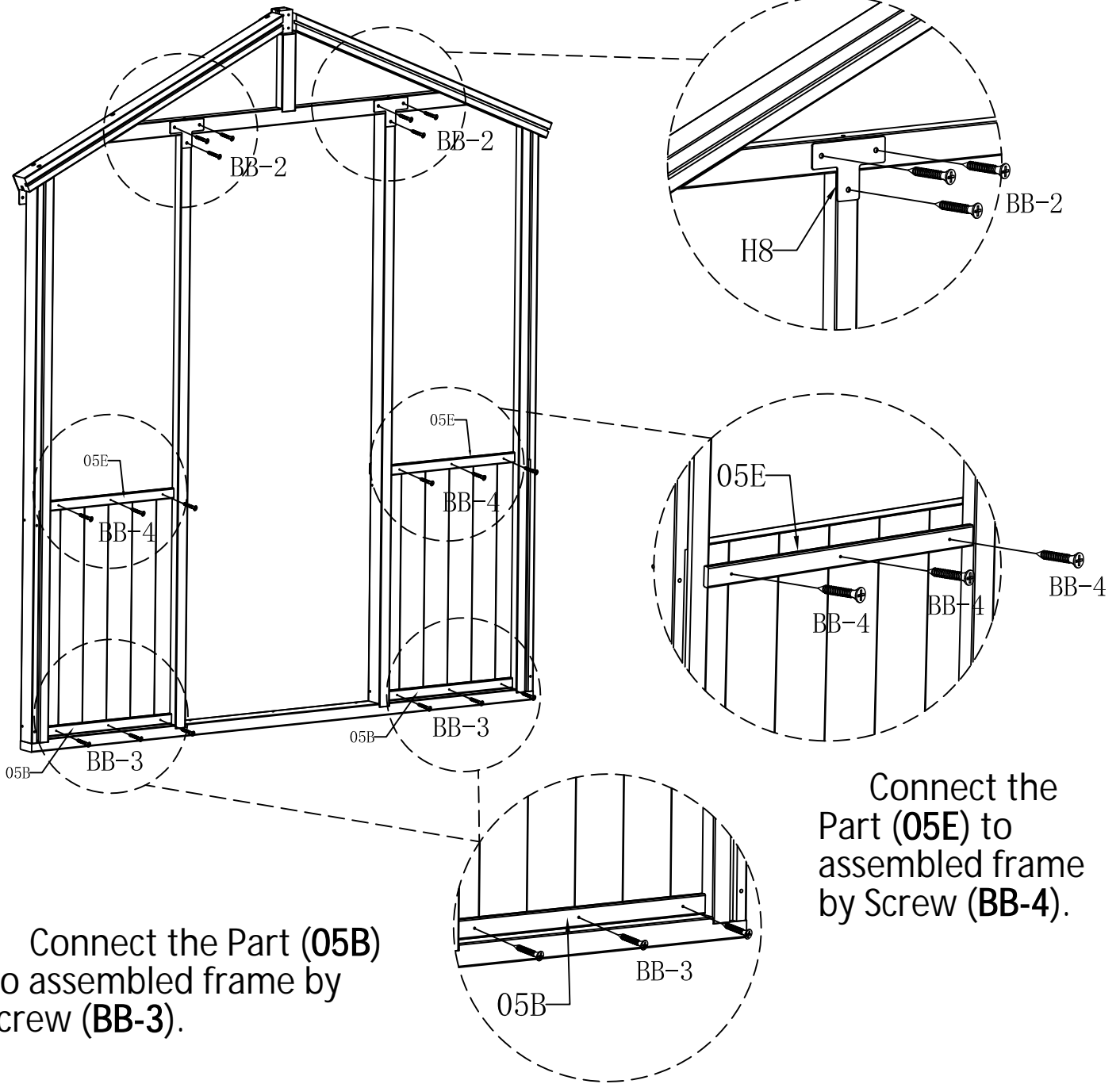
(H4) 2X



M4x25 (BB-2) 6X

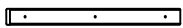
# STEP. 9

Connect the Part (H8) to assembled frame by Screw (BB-2).



Connect the Part (05B) to assembled frame by Screw (BB-3).

Connect the Part (05E) to assembled frame by Screw (BB-4).



05B 2X



05E 2X



H8 2X



M4x40 BB-4 6X



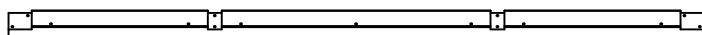
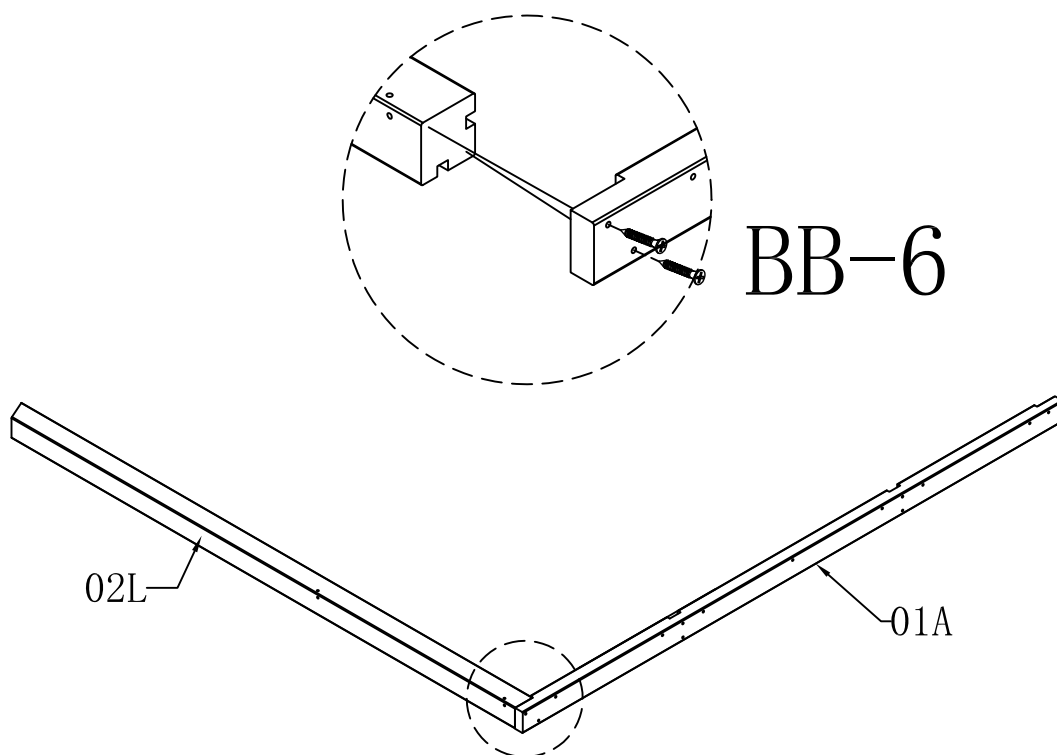
M4x30 BB-3 6X



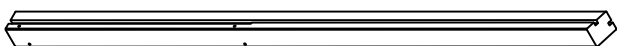
M4x25 BB-2 6X

# STEP. 10

Connect Part (02L) and Part (01A) by Screw (BB-6).



(01A) 1X



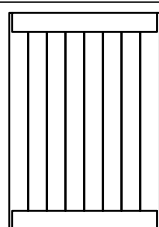
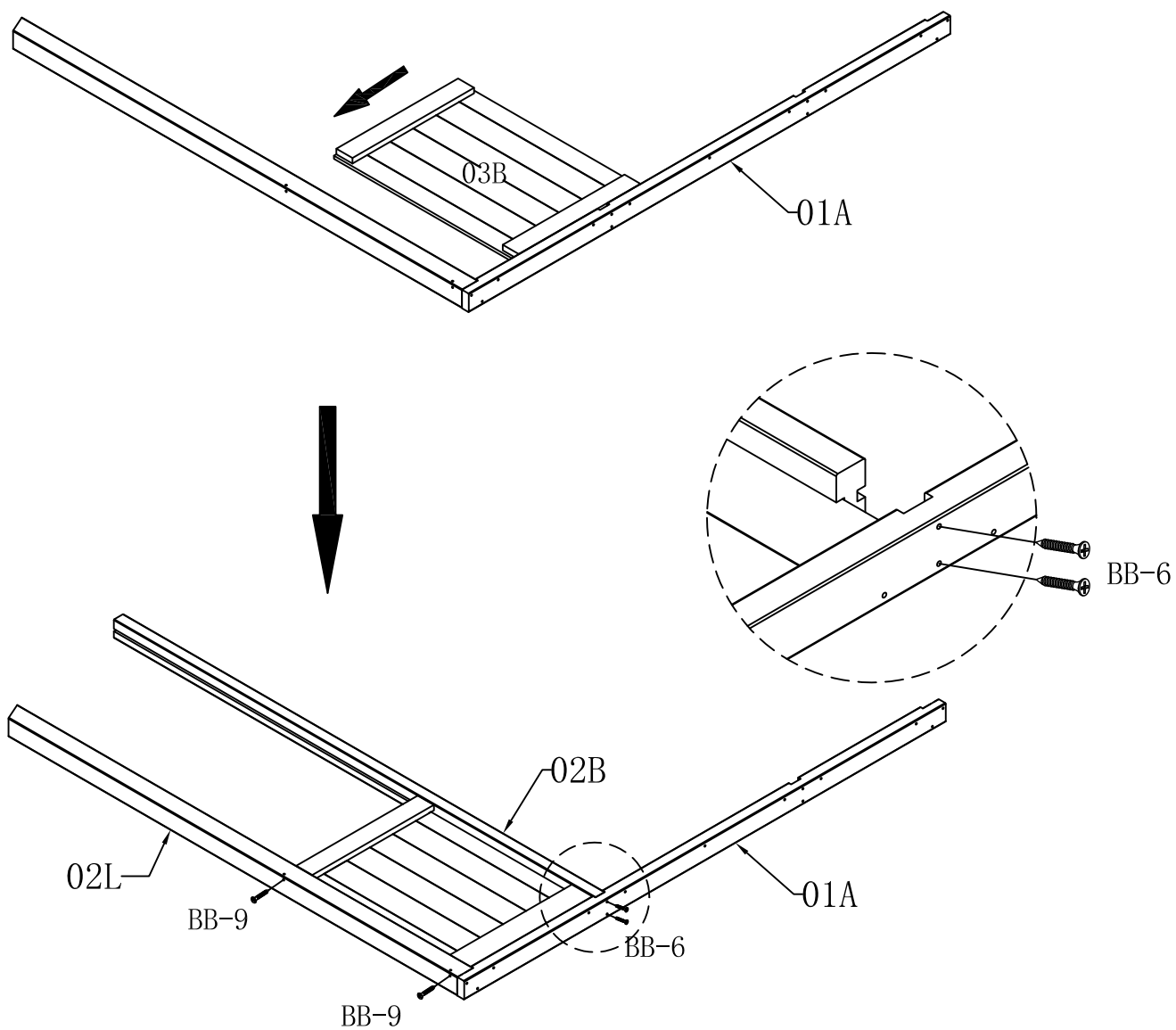
(02L) 1X



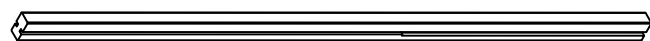
M4x60 (BB-6) 2X

# STEP. 11

Connect the Part (03B) into the groove of Part (02B) and Part (02L), then use the Screw (BB-6) and (BB-9) to fix.



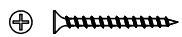
(03B) 1X



(02B) 1X



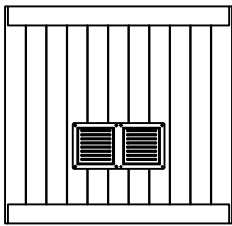
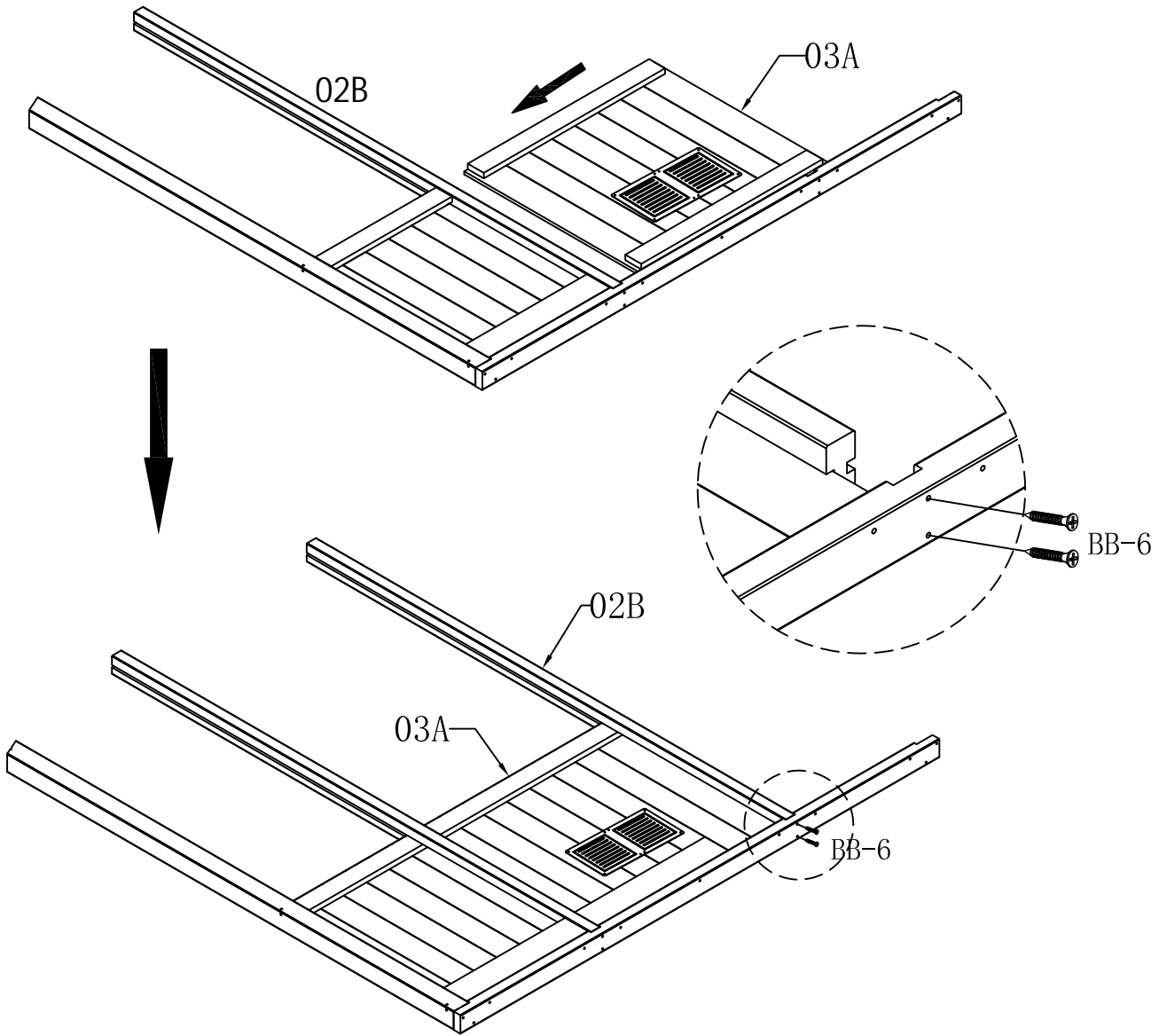
M4x60 (BB-6) 2X



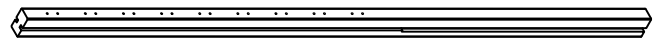
M4x90 (BB-9) 2X

# STEP. 12

Connect the Part (03A) into the groove of Part (02B), then use the Screw (BB-6) to fix.



03A 1X

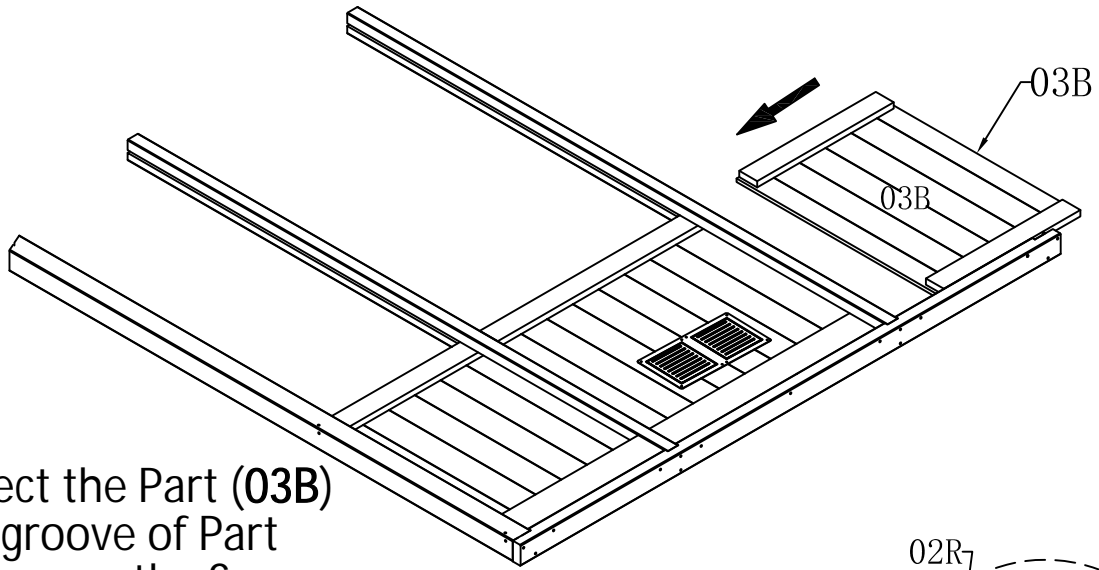


02B 1X



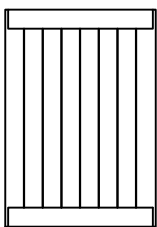
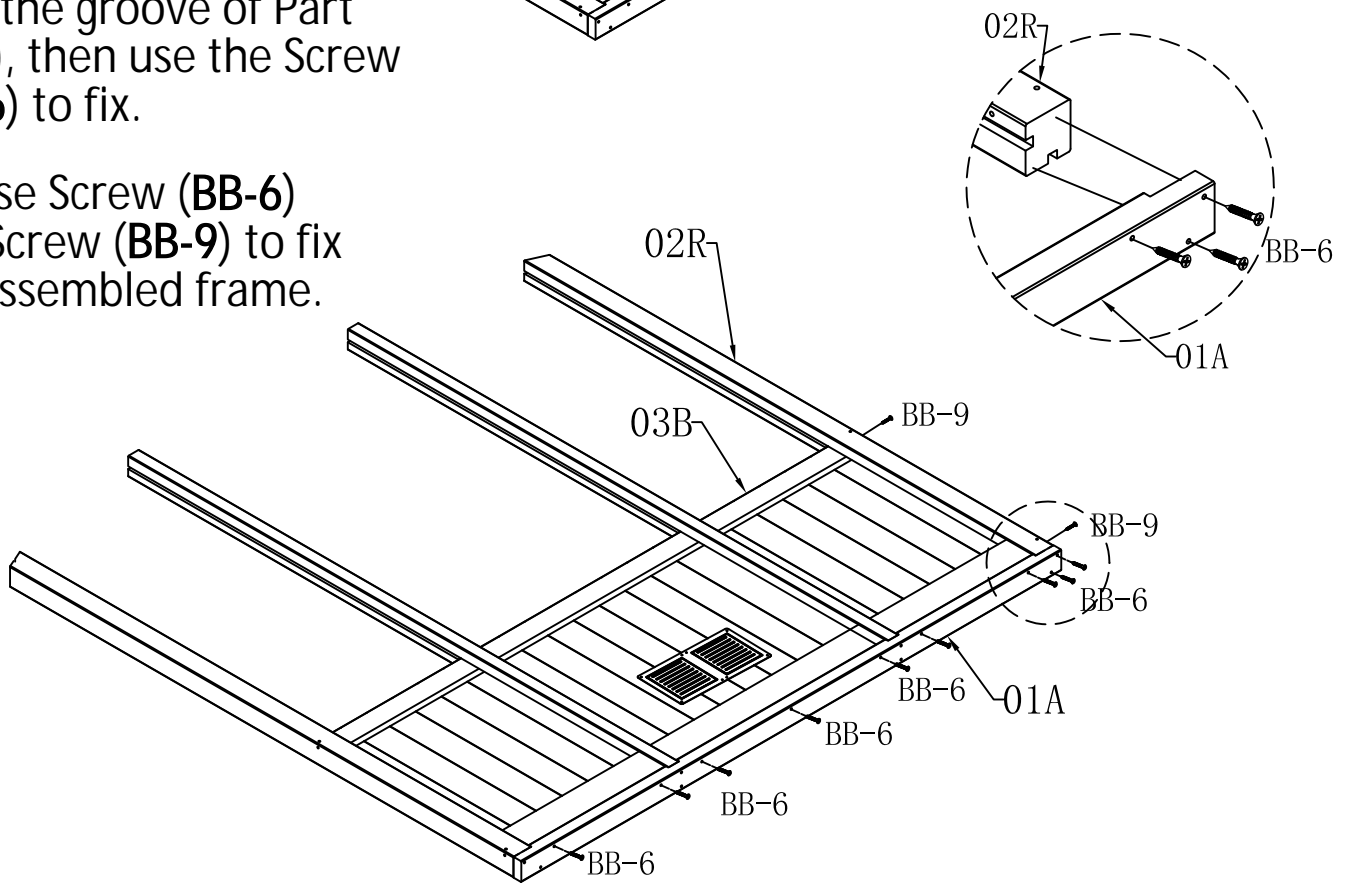
M4x60 BB-6 2X

# STEP. 13

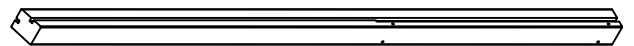


Connect the Part (03B) into the groove of Part (02R), then use the Screw (BB-6) to fix.

Use Screw (BB-6) and Screw (BB-9) to fix the assembled frame.



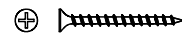
(03B) 1X



(02R) 1X



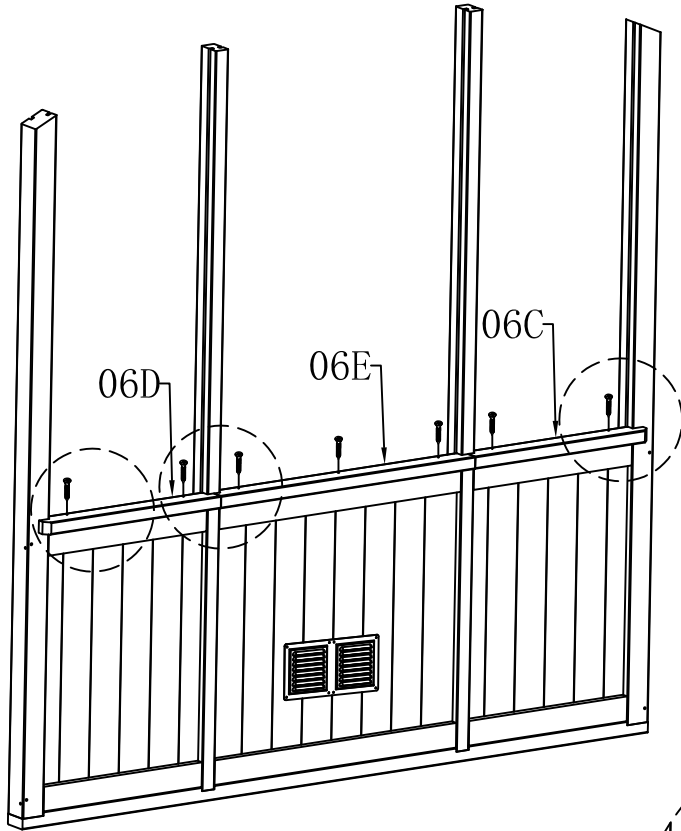
M4x60 (BB-6) 9X



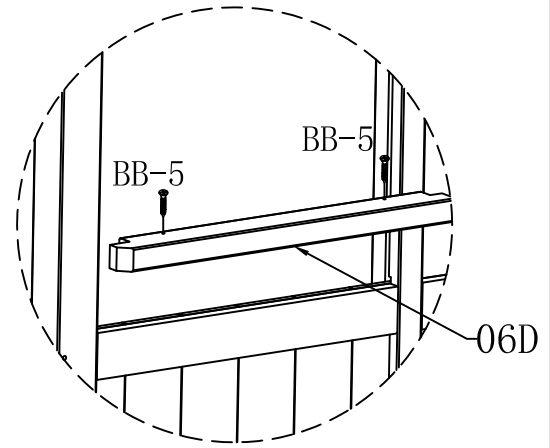
M4x90 (BB-9) 2X

# STEP. 14

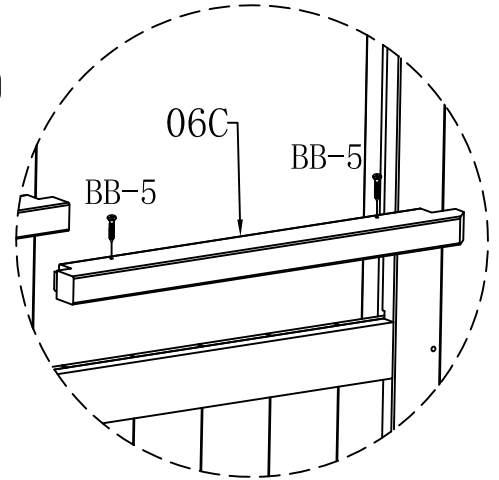
Connect the Part (06D), Part (06C), Part (06E) to assembled frame by Screw (BB-5).



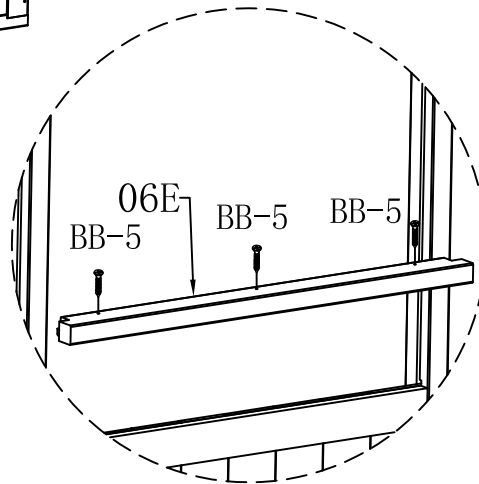
STEP. 1



STEP. 2



STEP. 3



06E 1X



06C 1X

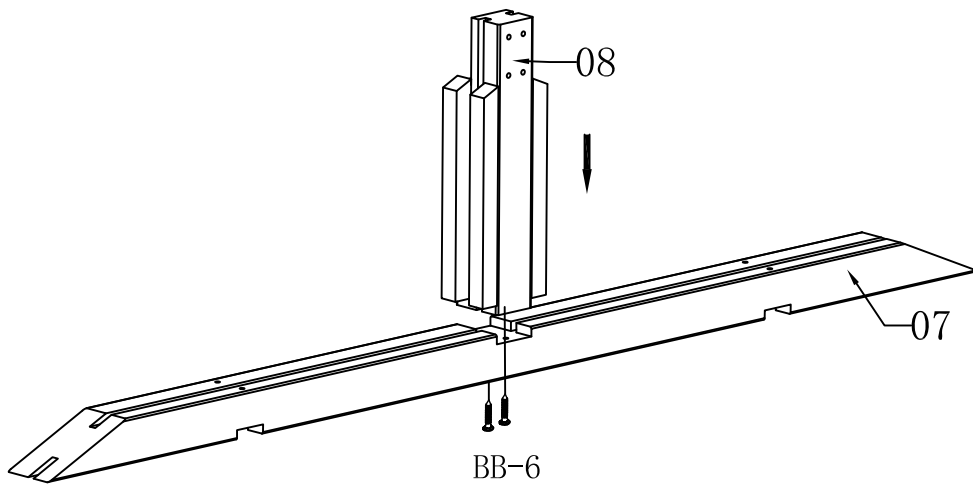


06D 1X

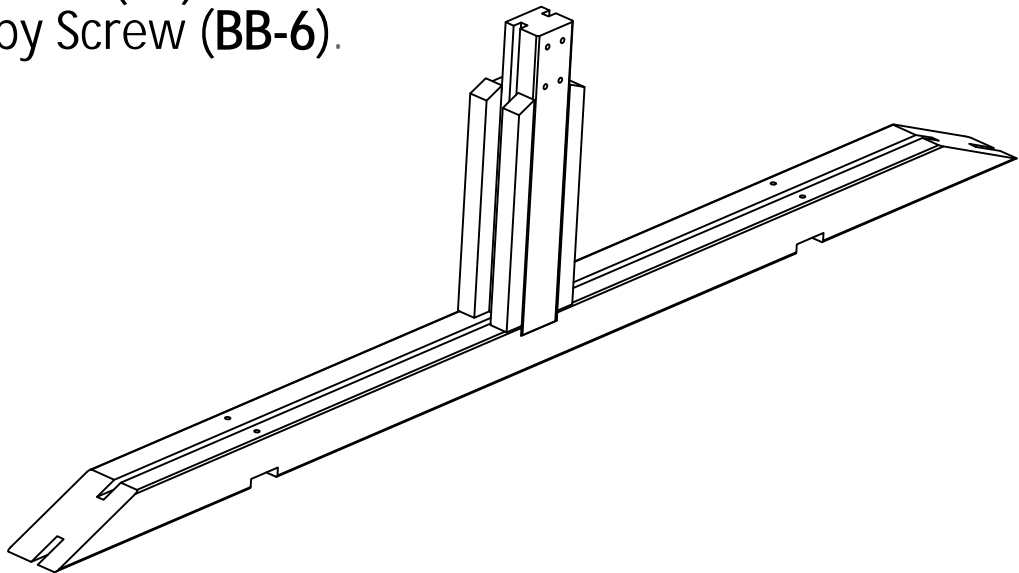


M4x50 BB-5 7X

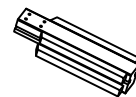
# STEP. 15



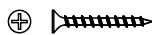
Connect the Part (08)  
to Part (07) by Screw (BB-6).



(07) 1X



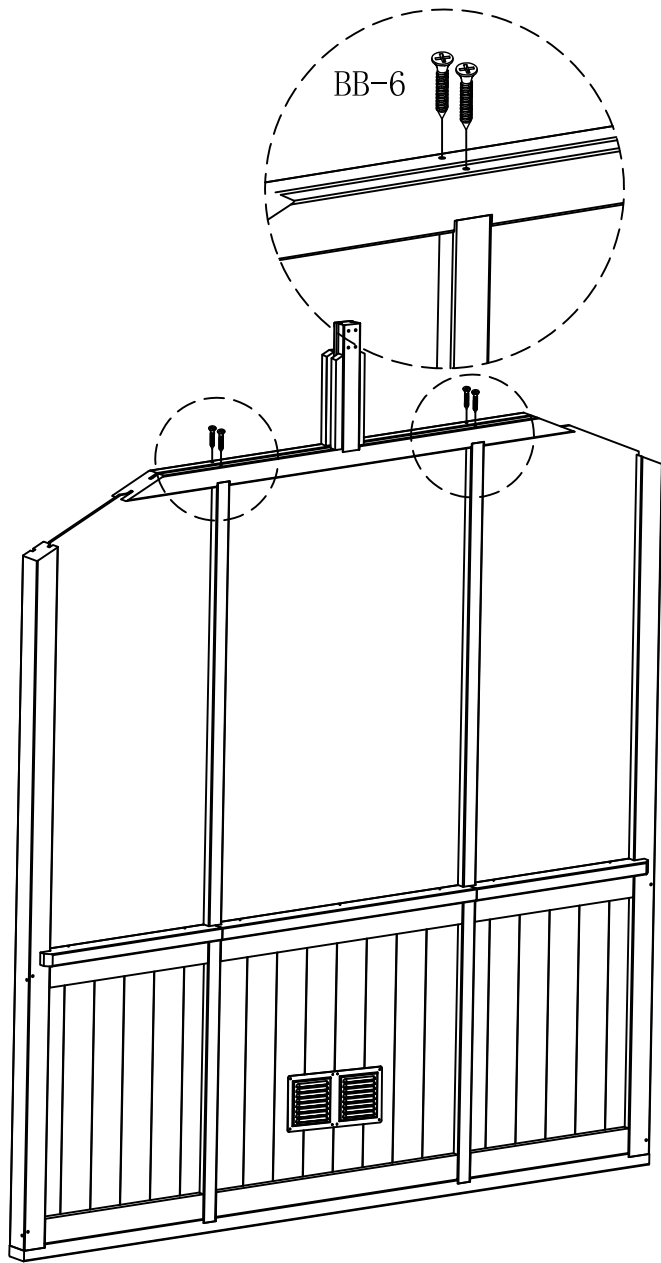
(08) 1X



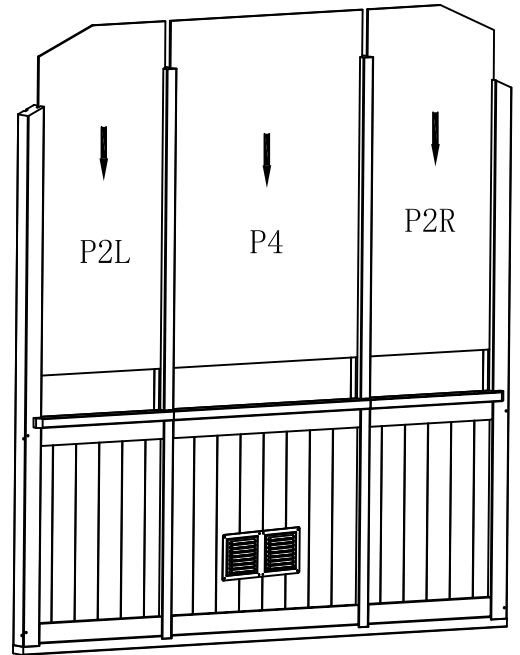
M4x60 (BB-6) 2X

# STEP. 16

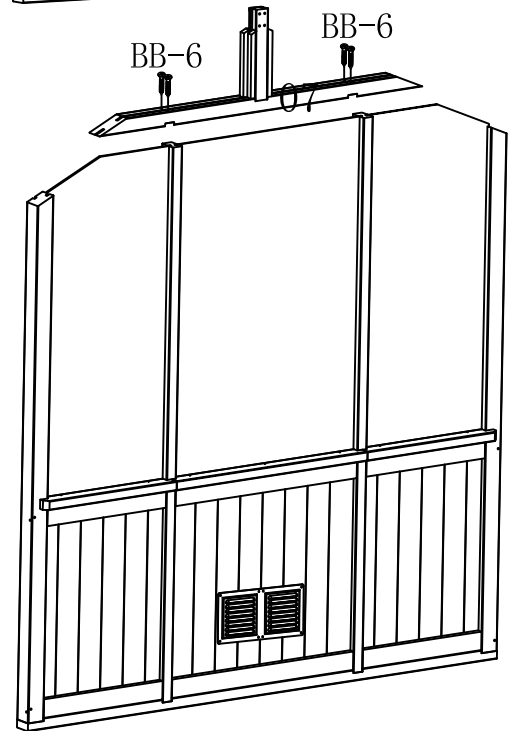
Insert door polycarbonate board Part (P2L), Part (P4) and Part (P2R) into the assembled door frame.



STEP. 1



STEP. 2

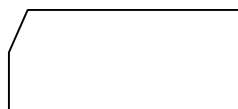


Add the step.15 assembled frame on the top of polycarbonate board. Use the Screw (BB-6) to fix.



(P2L) 1X

(1098x473)



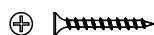
(P2R) 1X

(1098x473)



(P4) 1X

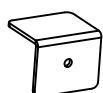
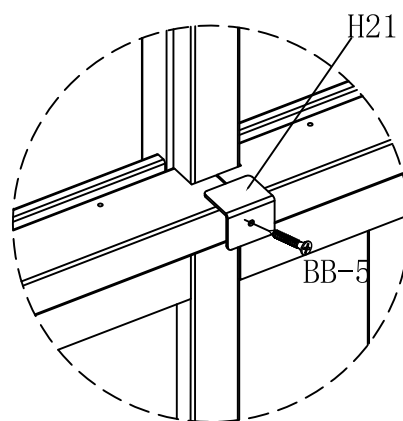
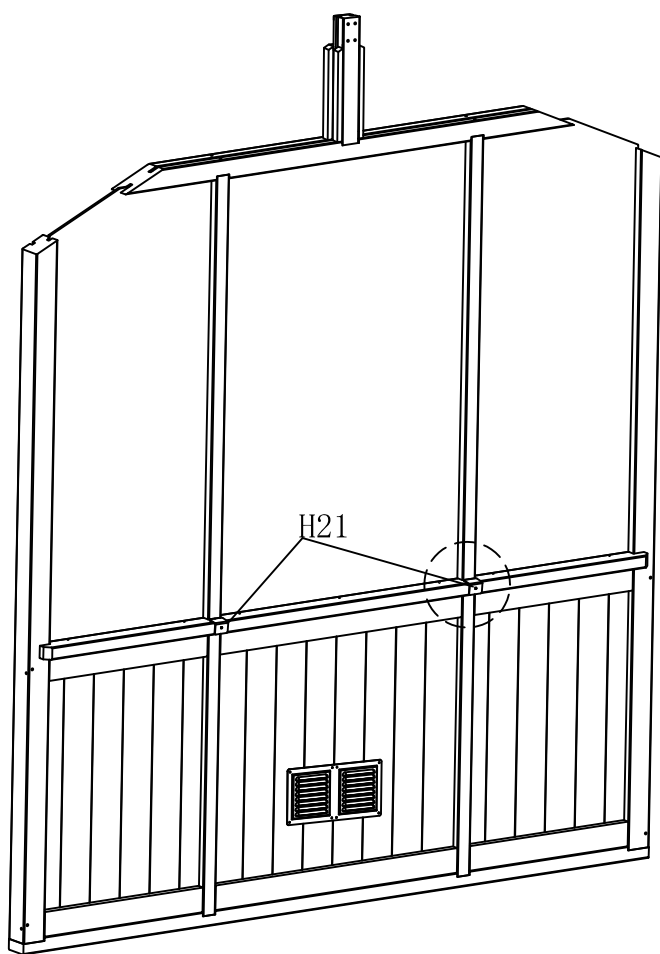
(1098x714)



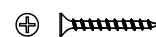
M4x60 (BB-6) 4X

# STEP. 17

Connect Part (H21) to assembled frame by Screw (BB-5).



(H21) 2X

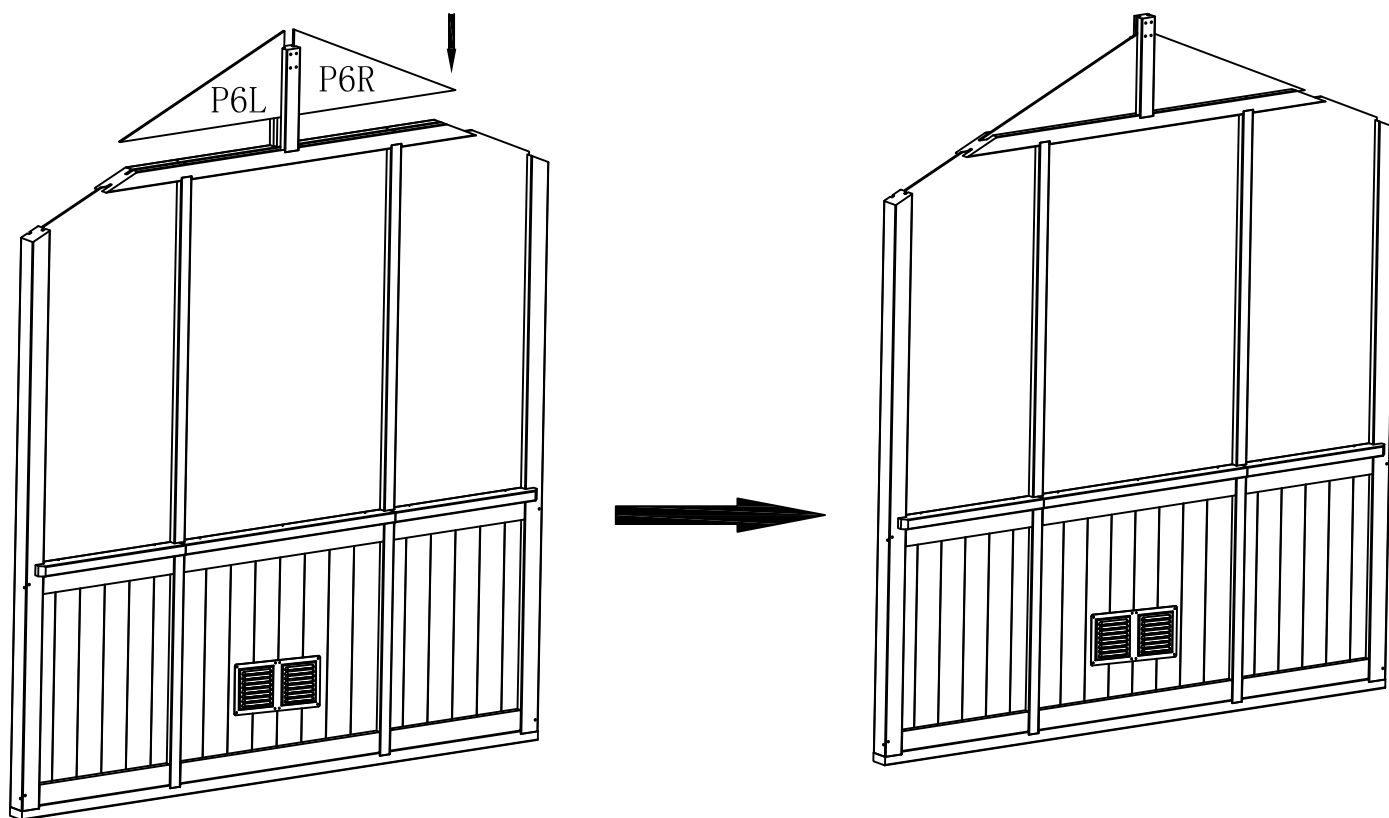


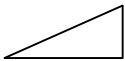
M4x50 (BB-5) 2X

# STEP. 18

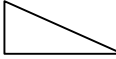
Insert the Part (P6L) and Part (P6R) into the top of door beam.

\* Please note the polycarbonate board need to be insert into the wood frame.



  
(557x248)

(P6L) 1X

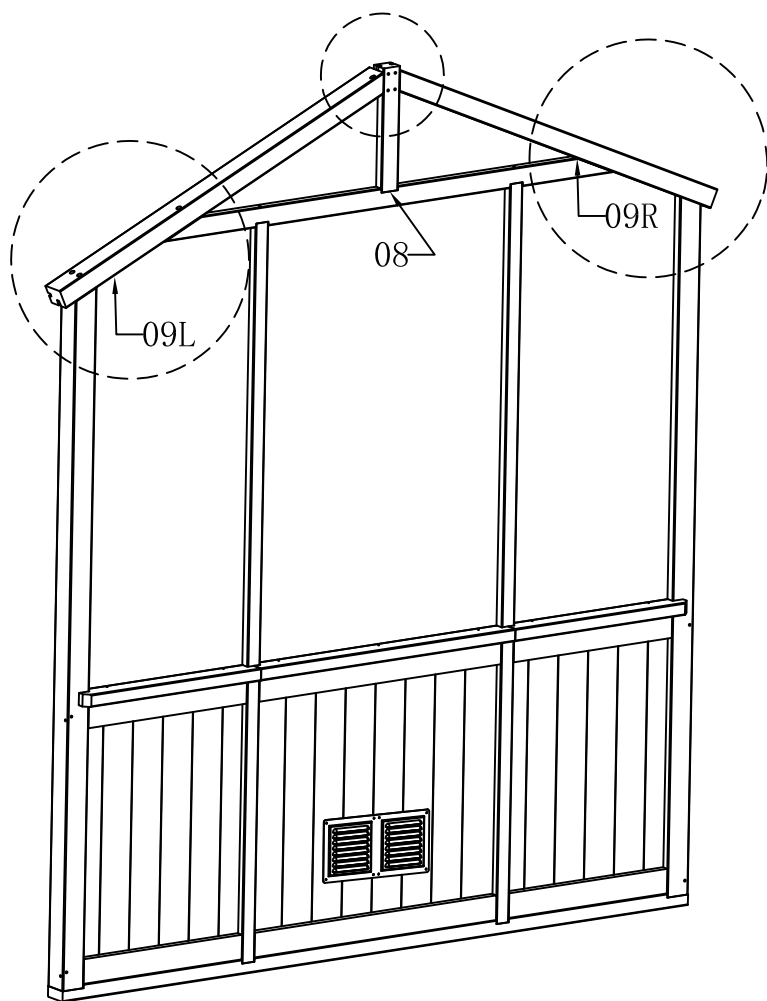
  
(557x248)

(P6R) 1X

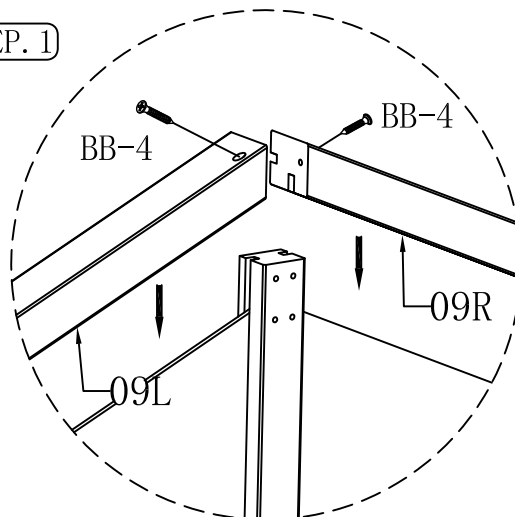
# STEP. 19

Connect the Part (09L) and Part (09R) to the Part (08) by Screw (BB-4) and Screw (BB-6).

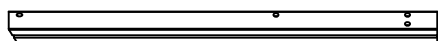
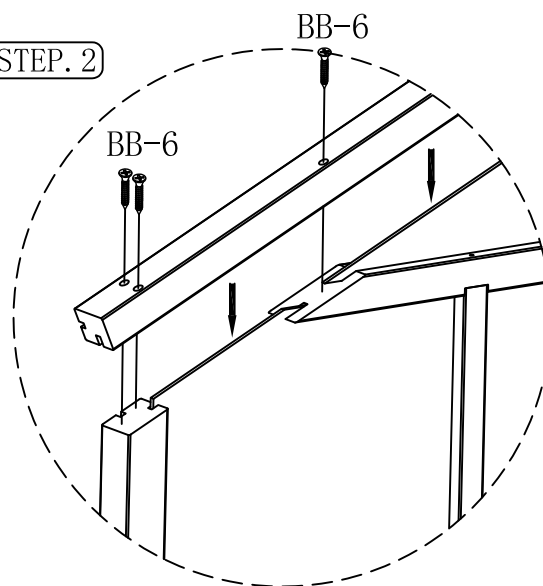
\* Please note the polycarbonate board need to be insert into the wood frame, then fix the screw.



STEP. 1



STEP. 2



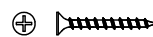
(09L) 1X



M4x40 (BB-4) 2X



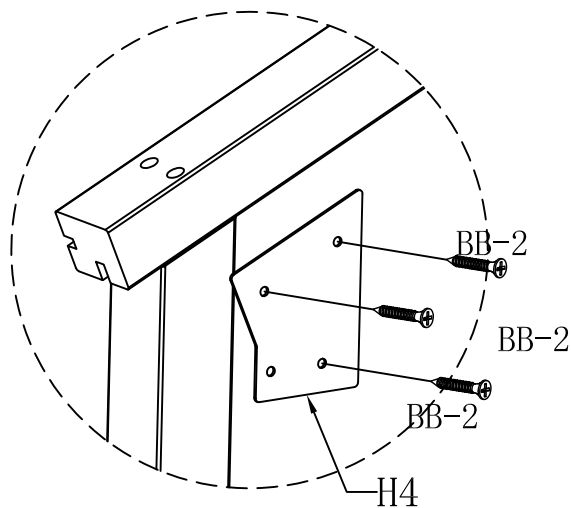
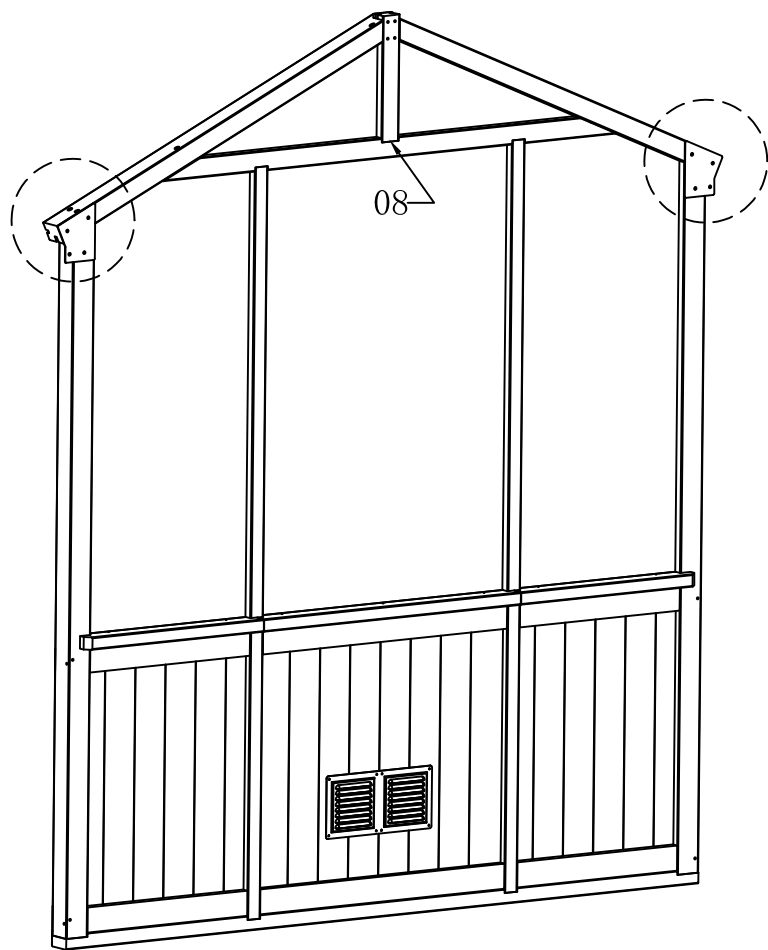
(09R) 1X



M4x60 (BB-6) 6X

# STEP. 20

Connect Part (H4) to the assembled frame by Screw (BB-2).



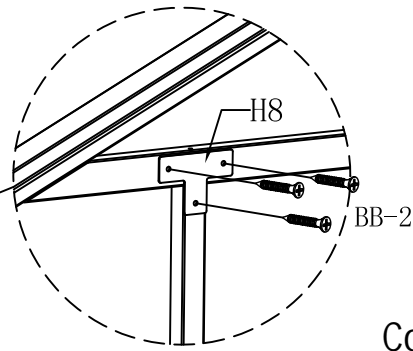
(H4) 2X



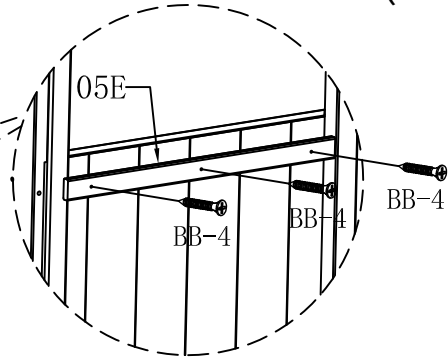
M4x25 (BB-2) 6X

# STEP. 21

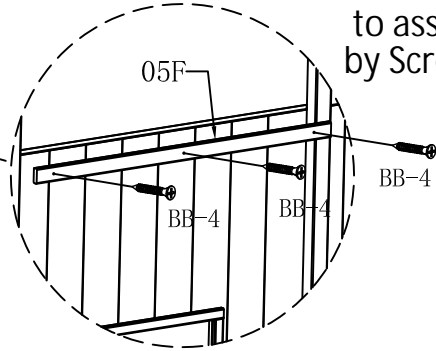
Connect the Part (H8)  
to assembled frame by Screw (BB-2).



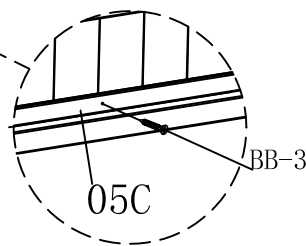
Connect Part (05E)  
to assembled frame by  
Screw (BB-4).



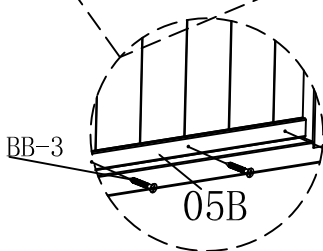
Connect Part (05F)  
to assembled frame  
by Screw (BB-4).



Connect the Part (05C)  
to assembled frame by  
Screw (BB-3).



Connect Part (05B)  
to assembled frame by  
Screw (BB-3).



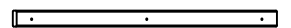
(05B) 2X



(05C) 1X



(05E) 2X



(05F) 1X



(H8) 2X



M4x40 (BB-4) 9X



M4x30 (BB-3) 9X

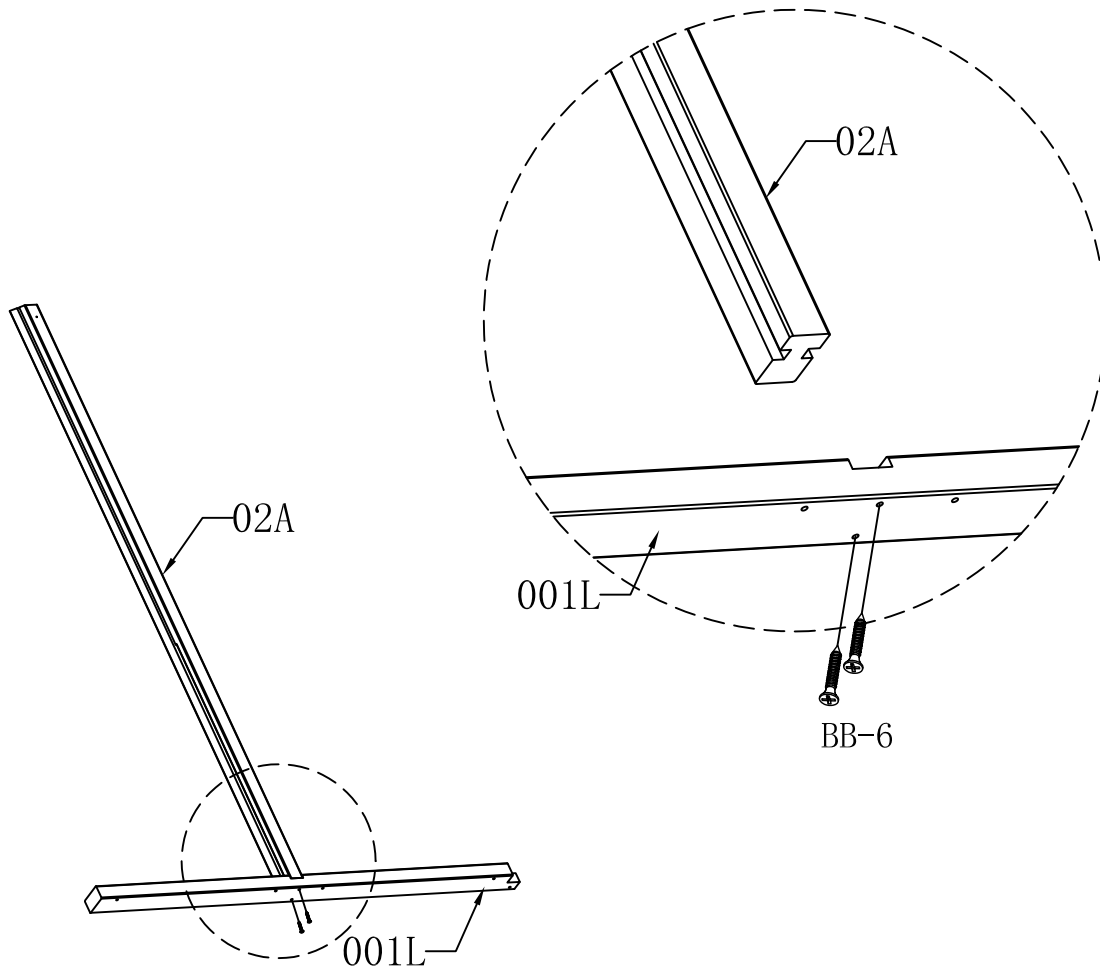


M4x25 (BB-2) 6X

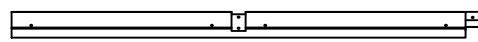
# STEP. 22

Insert Part (02A) to the groove of Part (001L), then use Screw (BB-6) to fix.

\*2



(02A) 2X



(001L) 2X

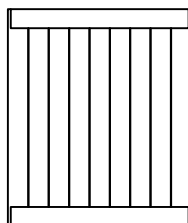
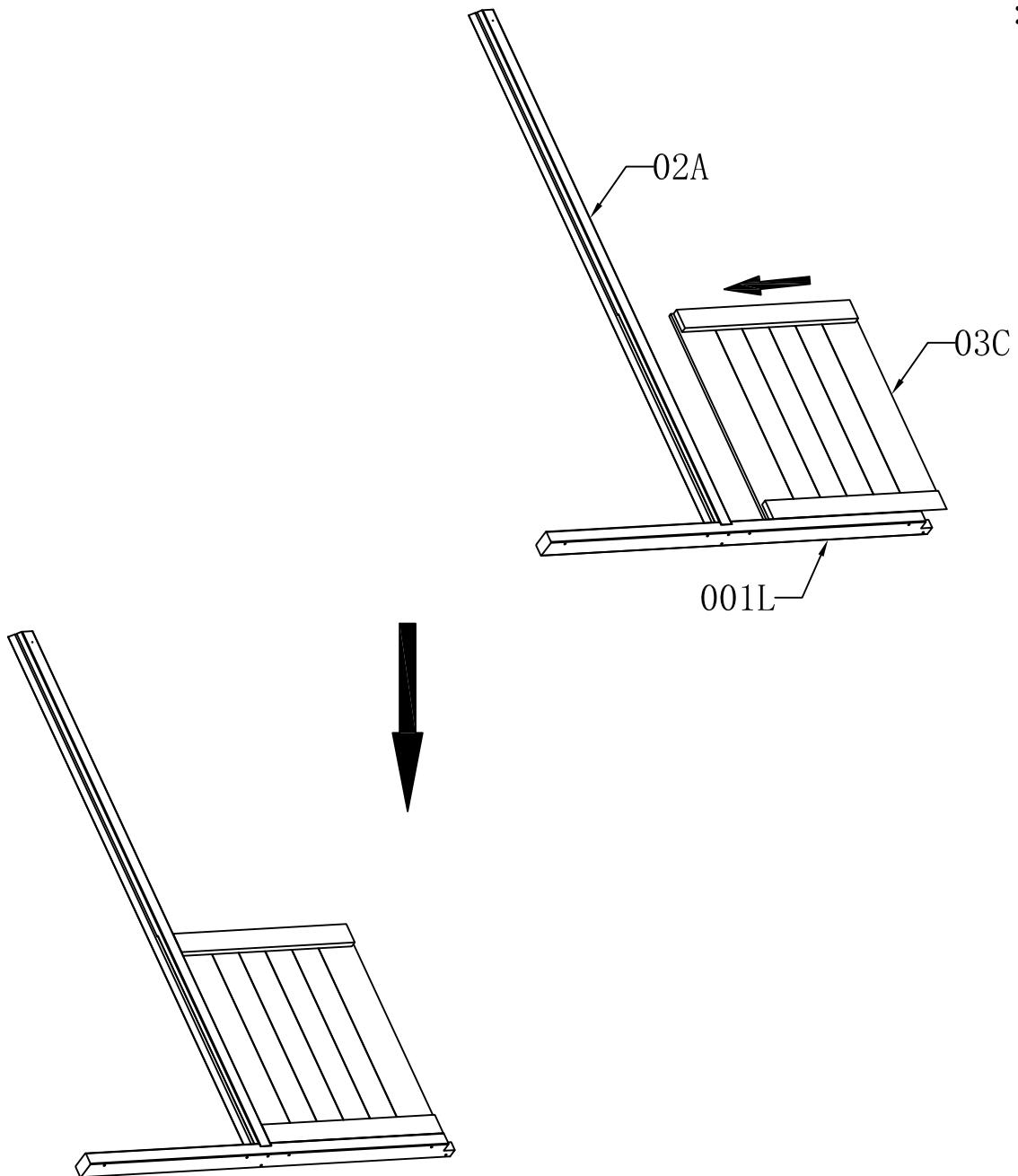


M4x60 (BB-6) 4X

# STEP. 23

Connect the Part (03C) into the groove of Part (02A).

\*2

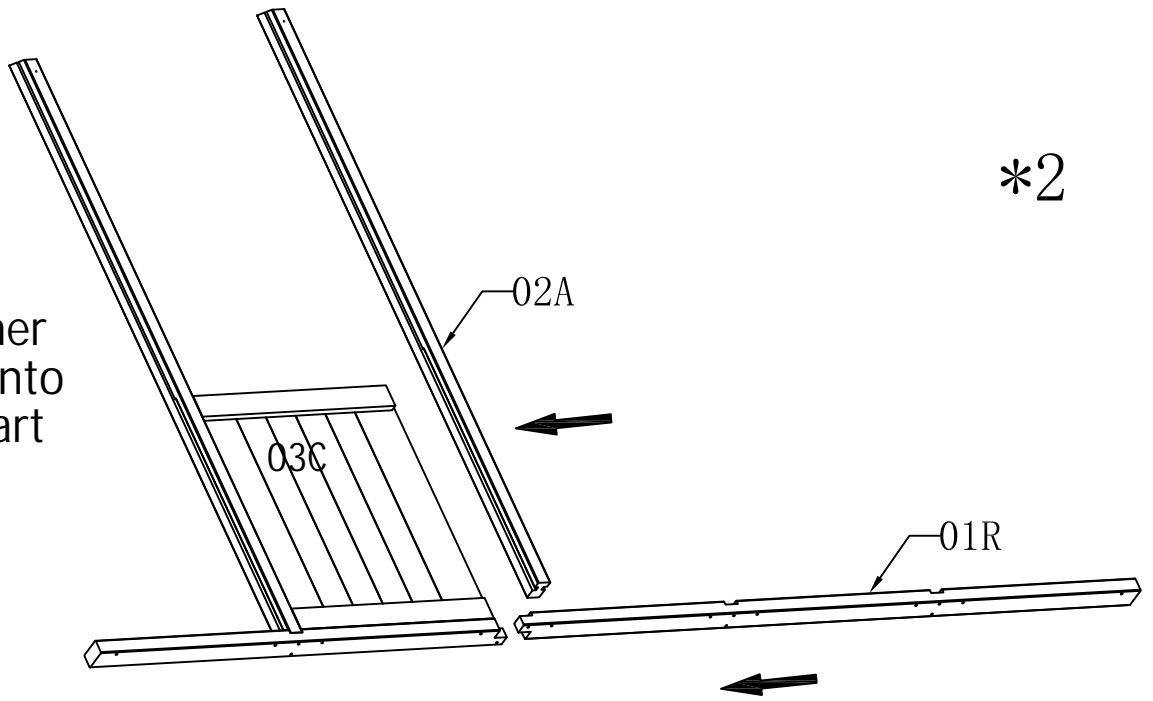


03C 2X

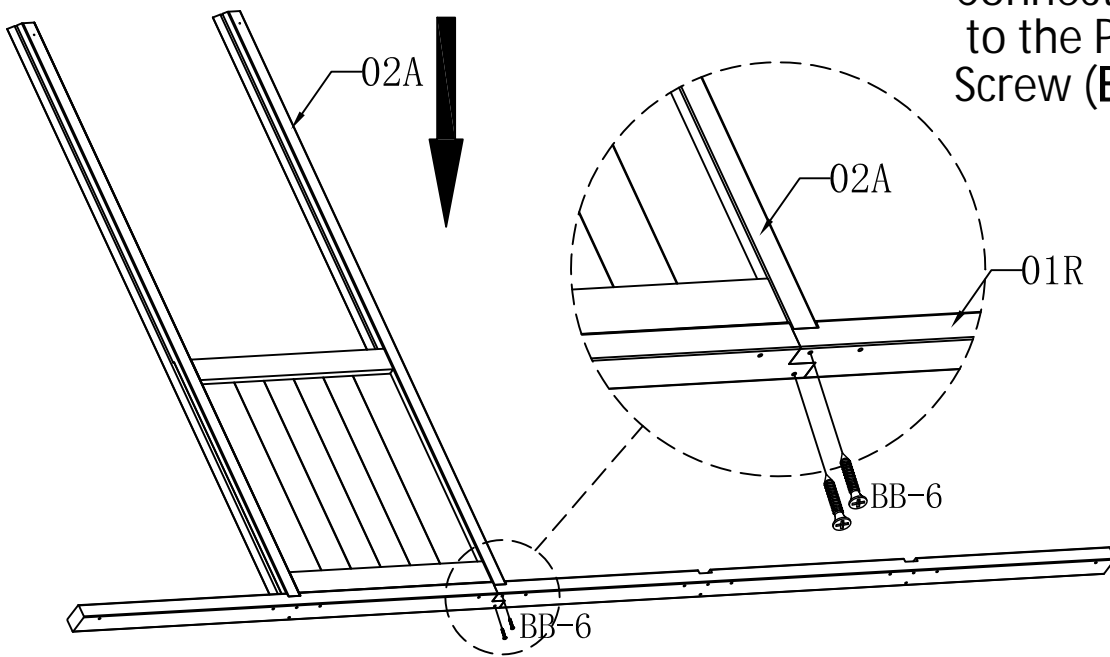
# STEP. 24

\*2

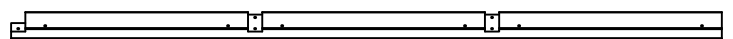
Connect the other side Part (03C) into the groove of Part (02A).



Connect the Part (01R) to the Part (02A) by Screw (BB-6).



02A 2X

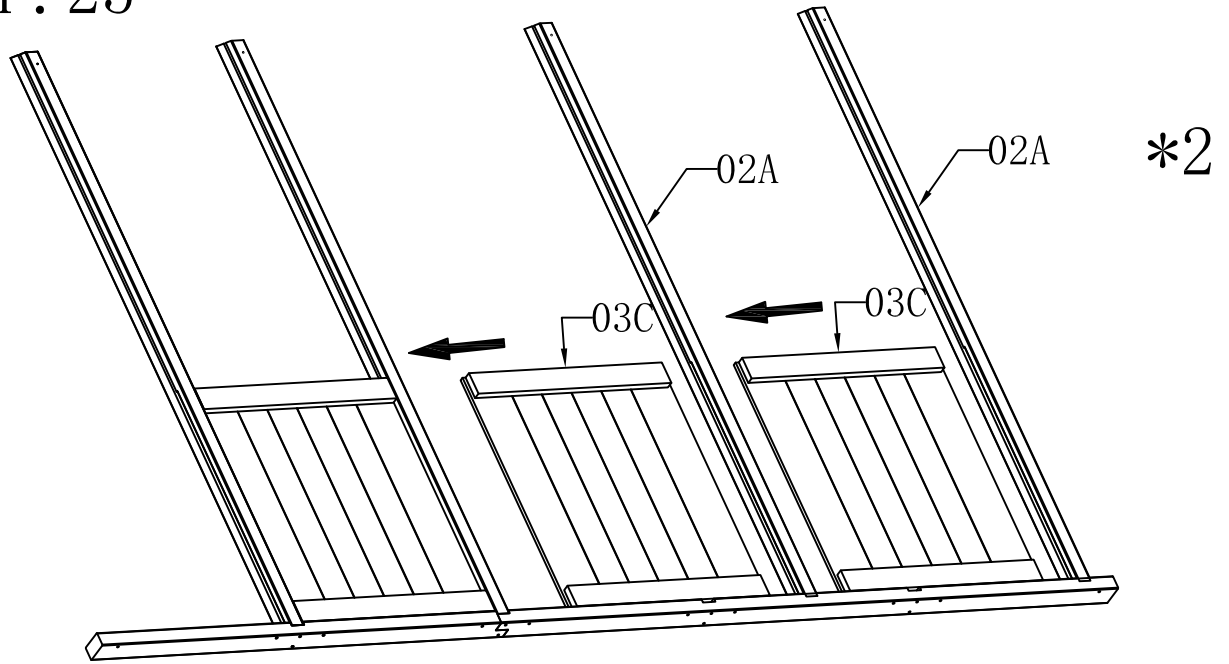


01R 2X

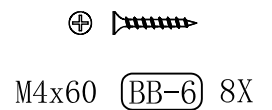
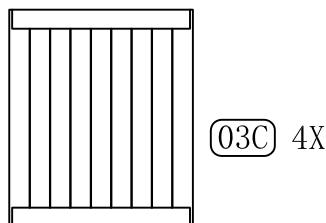
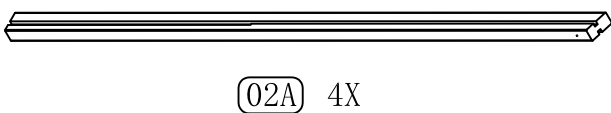
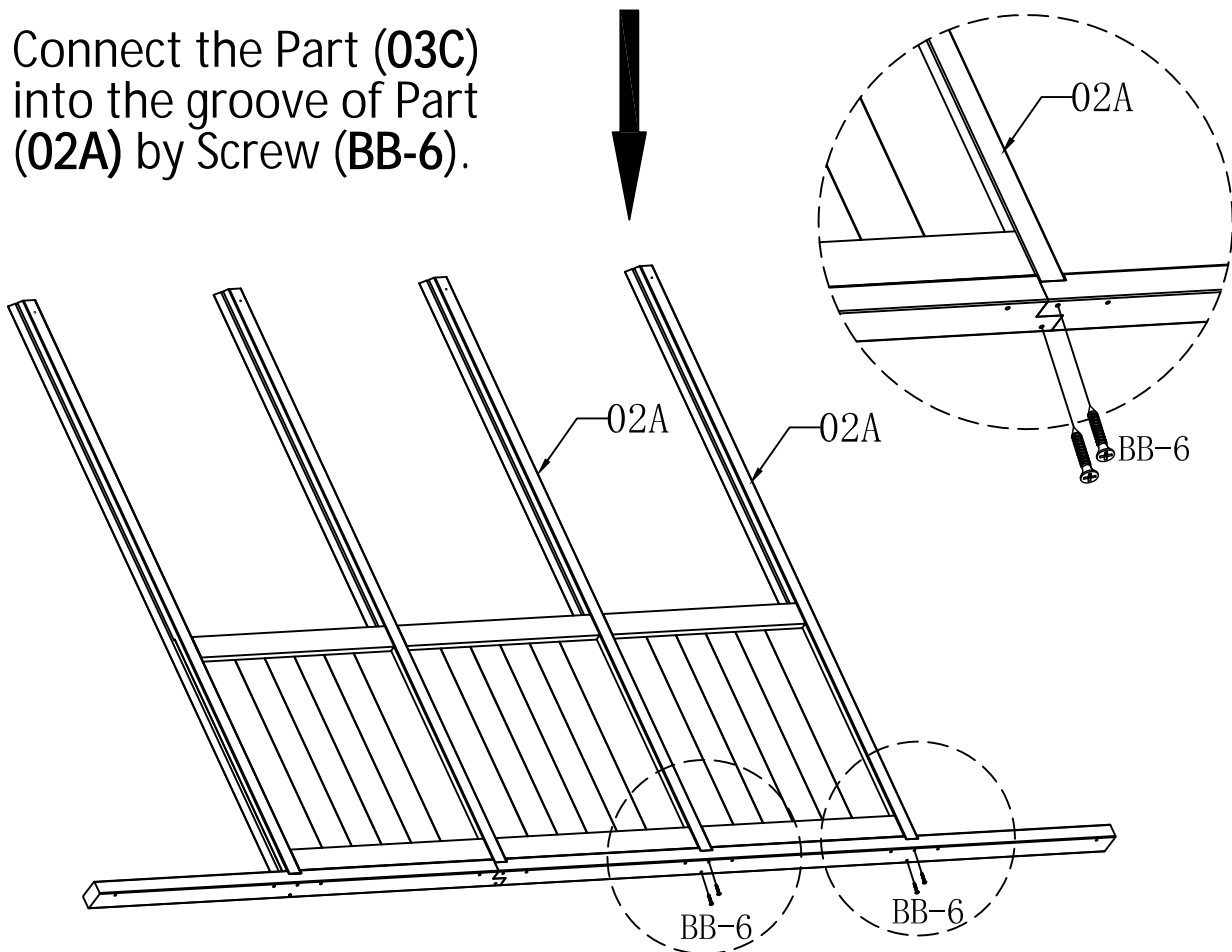


M4x60 BB-6 4X

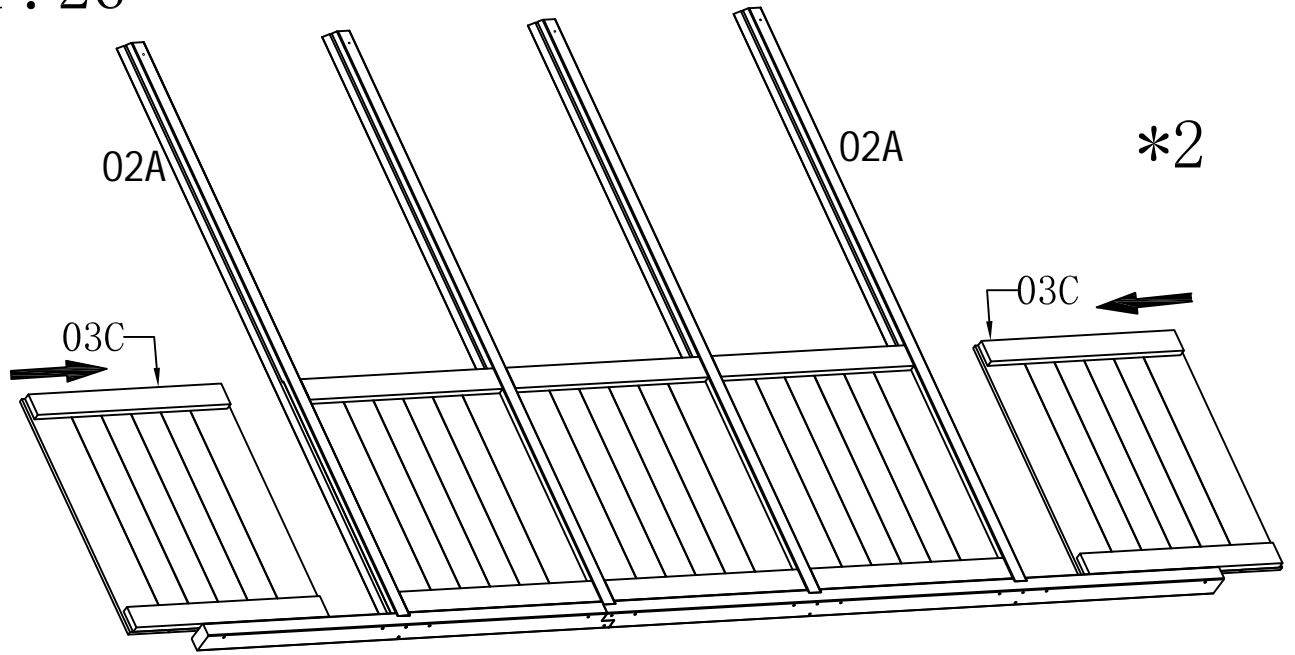
# STEP. 25



Connect the Part (03C) into the groove of Part (02A) by Screw (BB-6).

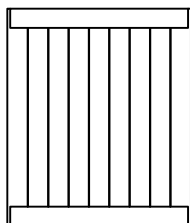
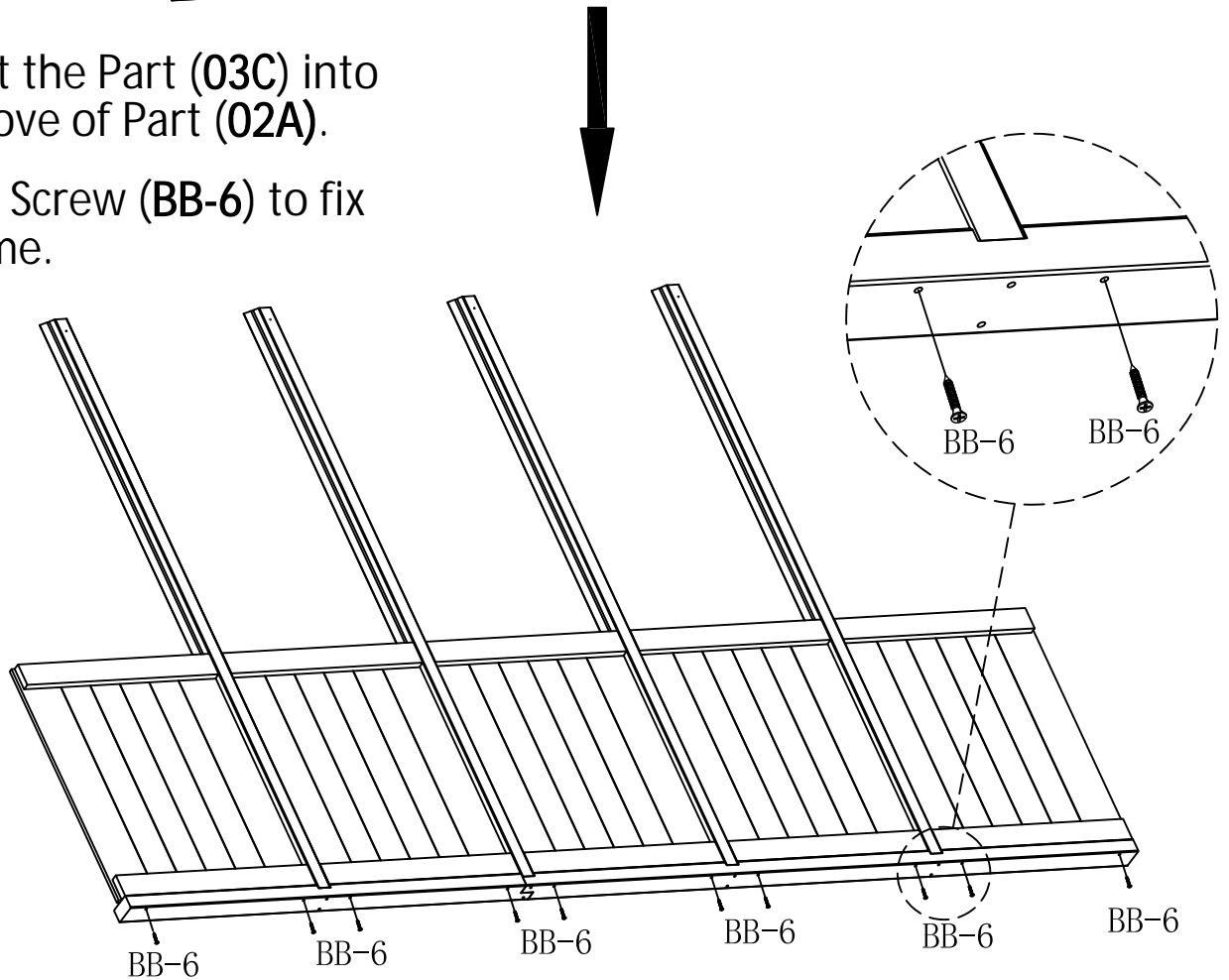


# STEP. 26



Connect the Part (03C) into the groove of Part (02A).

Use the Screw (BB-6) to fix the frame.



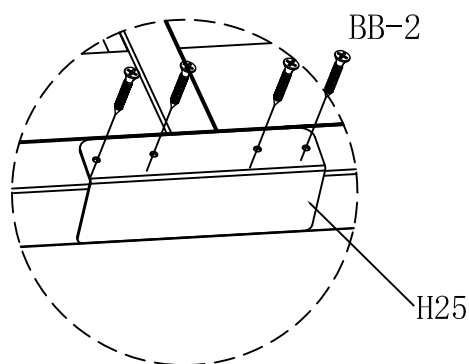
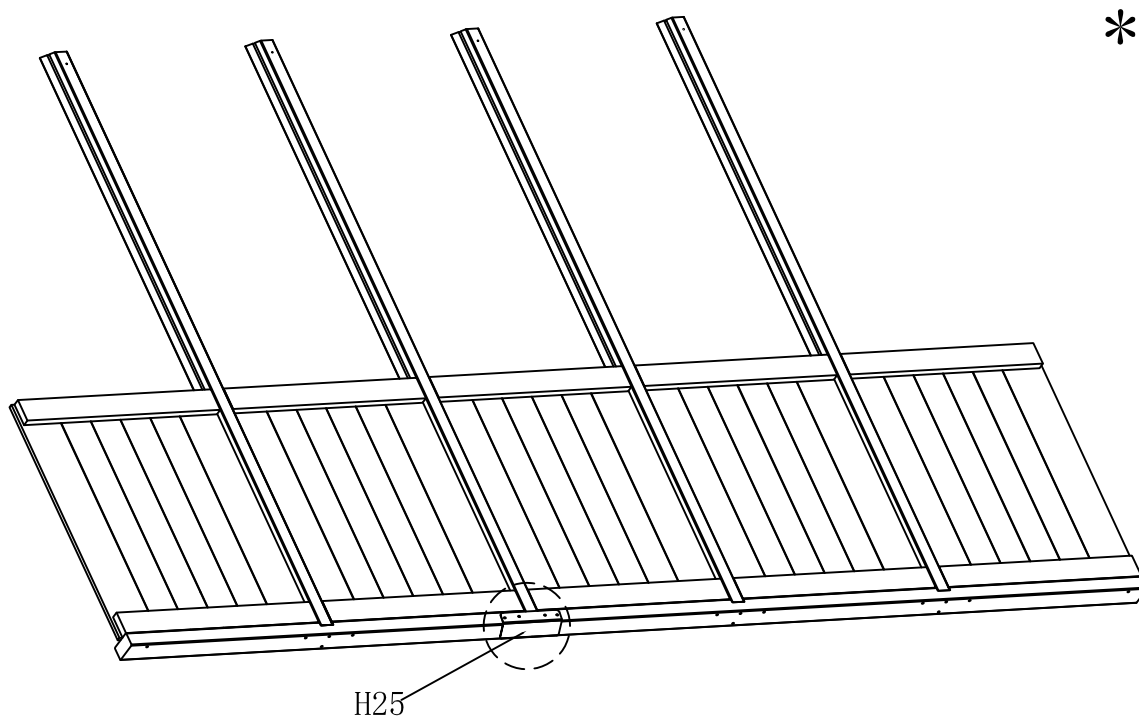
03C 4X



M4x60 BB-6 20X

# STEP. 27

Connect the Part (H25) to the assembled Part by Screw (BB-2).



(H25) 2X



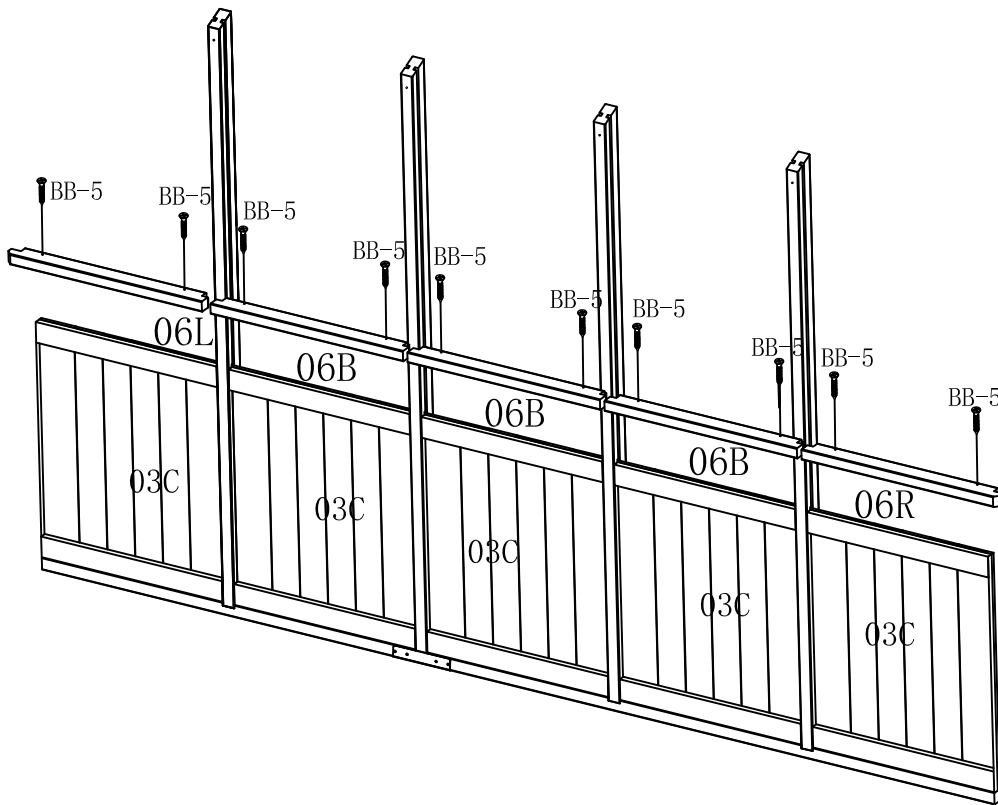
M4x25 (BB-2) 8X

# STEP. 28

Place the entire assembled frame on the ground, then place Part (06L), Part (06B) and Part (06R) close to Part (03C).

Next use the Screw (BB-5) to fix.

\*2



06B 6X



06L 2X

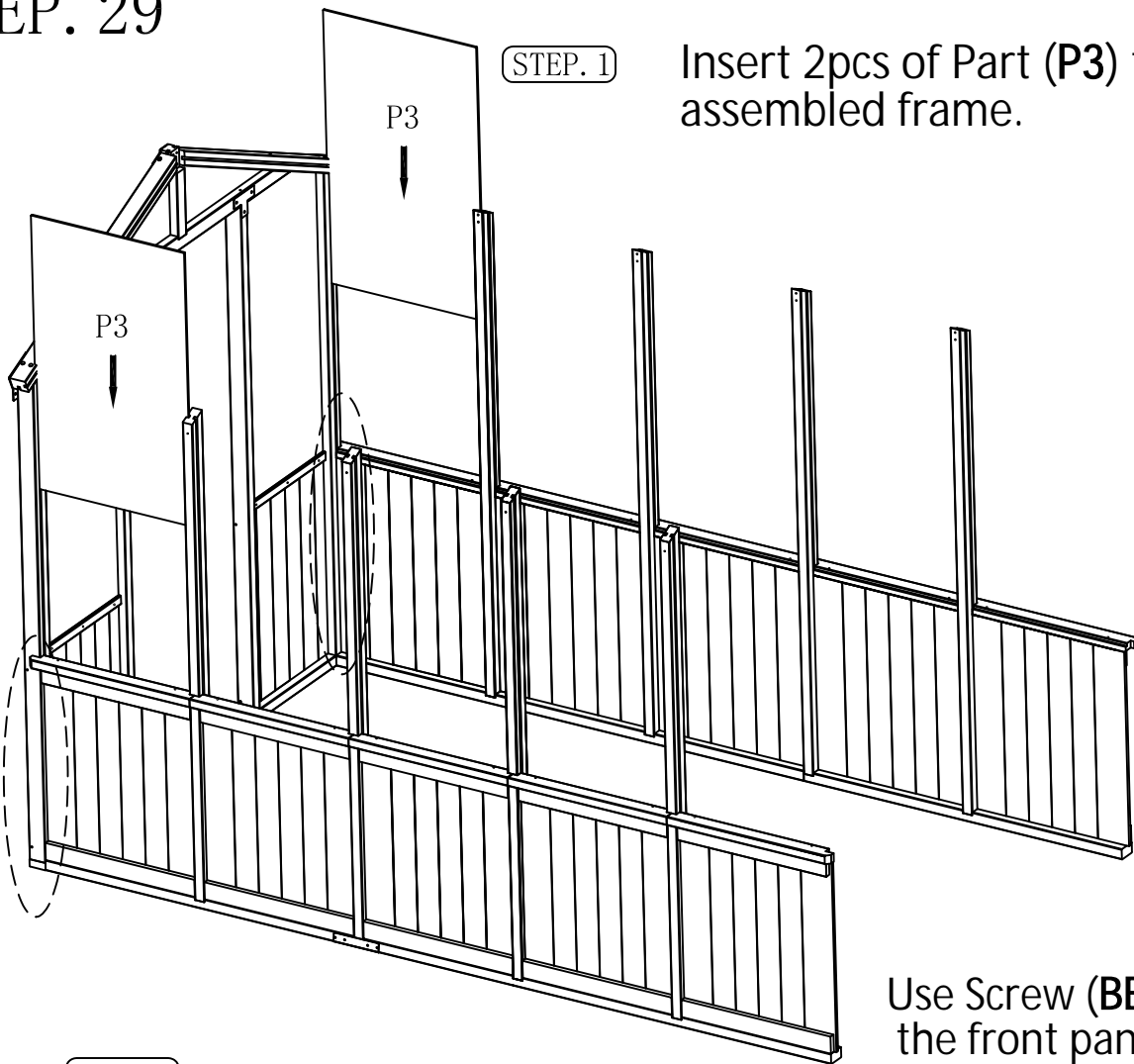


06R 2X



M4x50 BB-5 20X

# STEP. 29

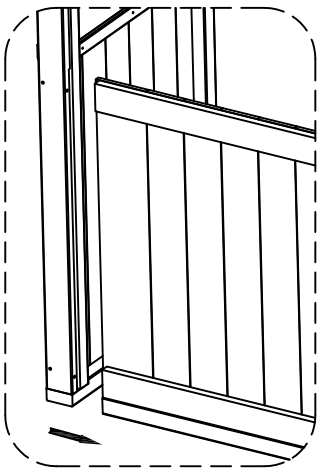


STEP. 1

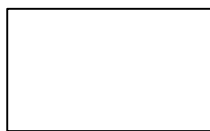
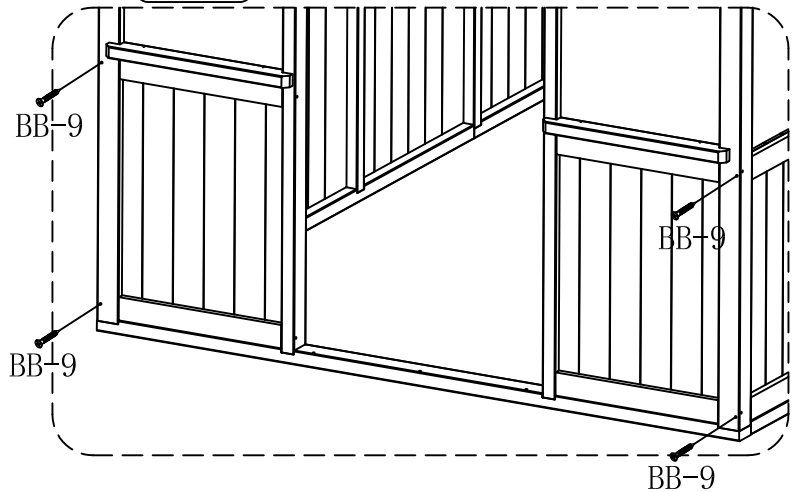
Insert 2pcs of Part (P3) to assembled frame.

STEP. 2

Use Screw (BB-9) to fix the front panel and two side panels frame.

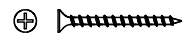


STEP. 3



(960x577)

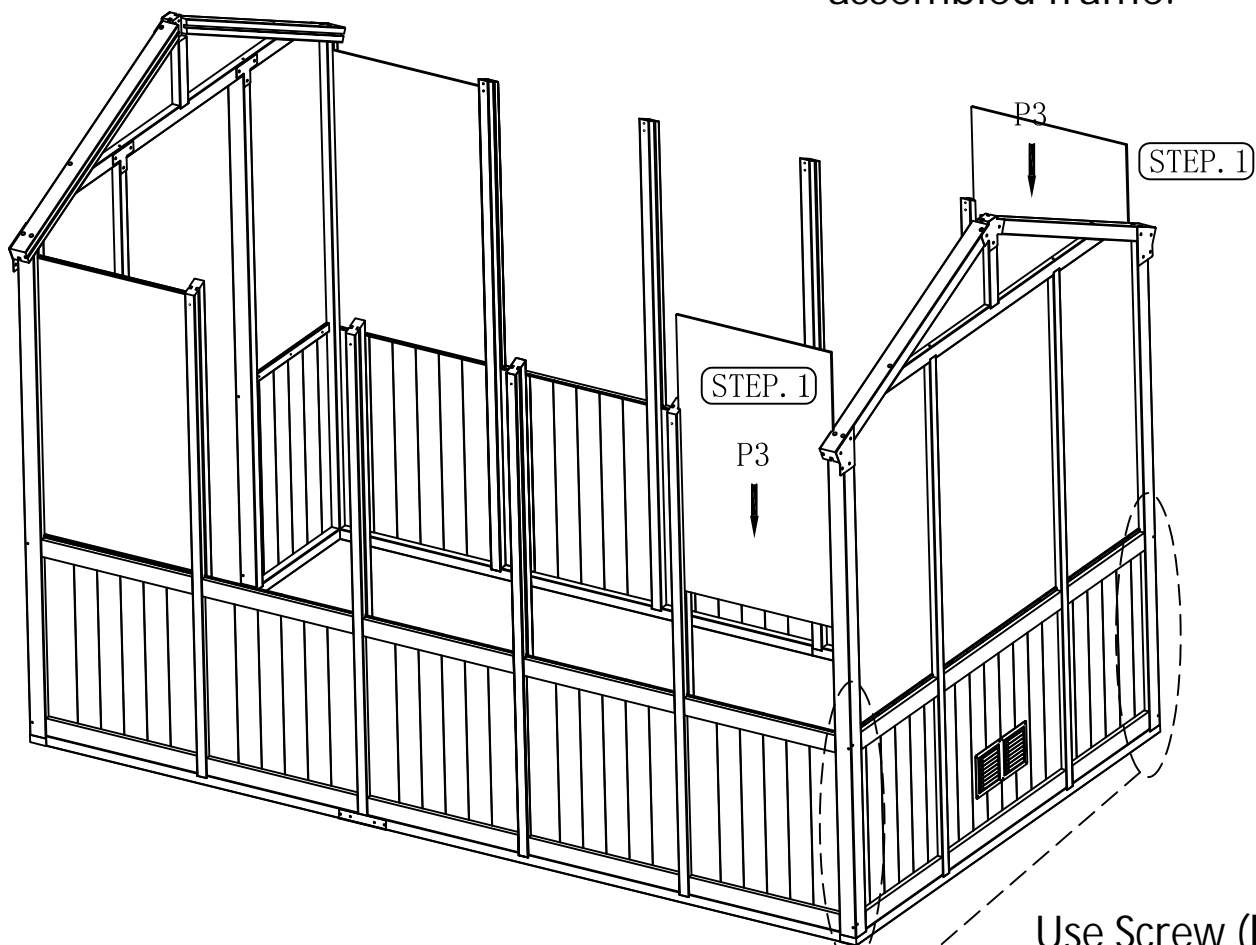
P3 2X



M4x90 BB-9 4X

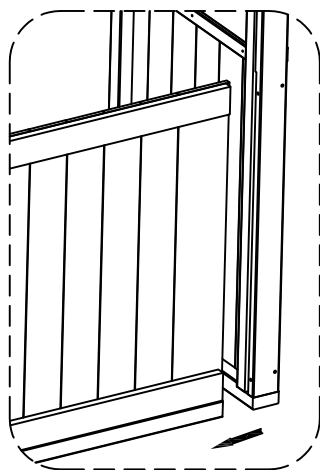
# STEP. 30

Insert 2 pcs of Part (P3) to assembled frame.

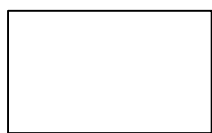
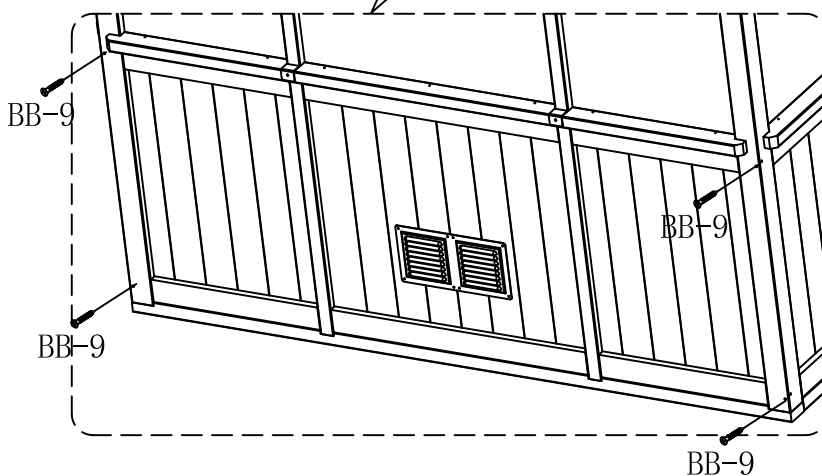


Use Screw (BB-9) to fix two side frame of back panel.

STEP. 2

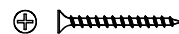


STEP. 3



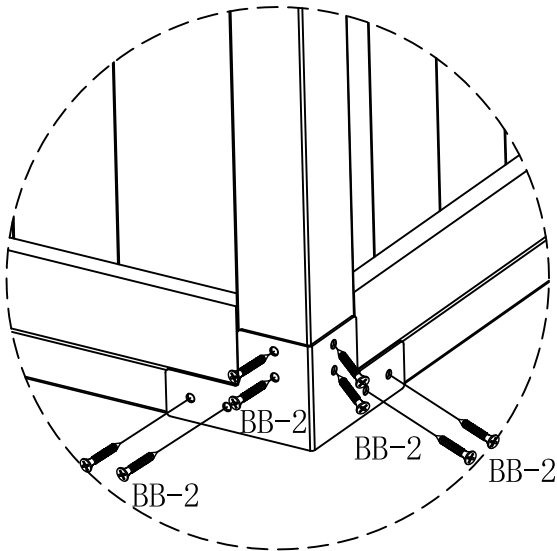
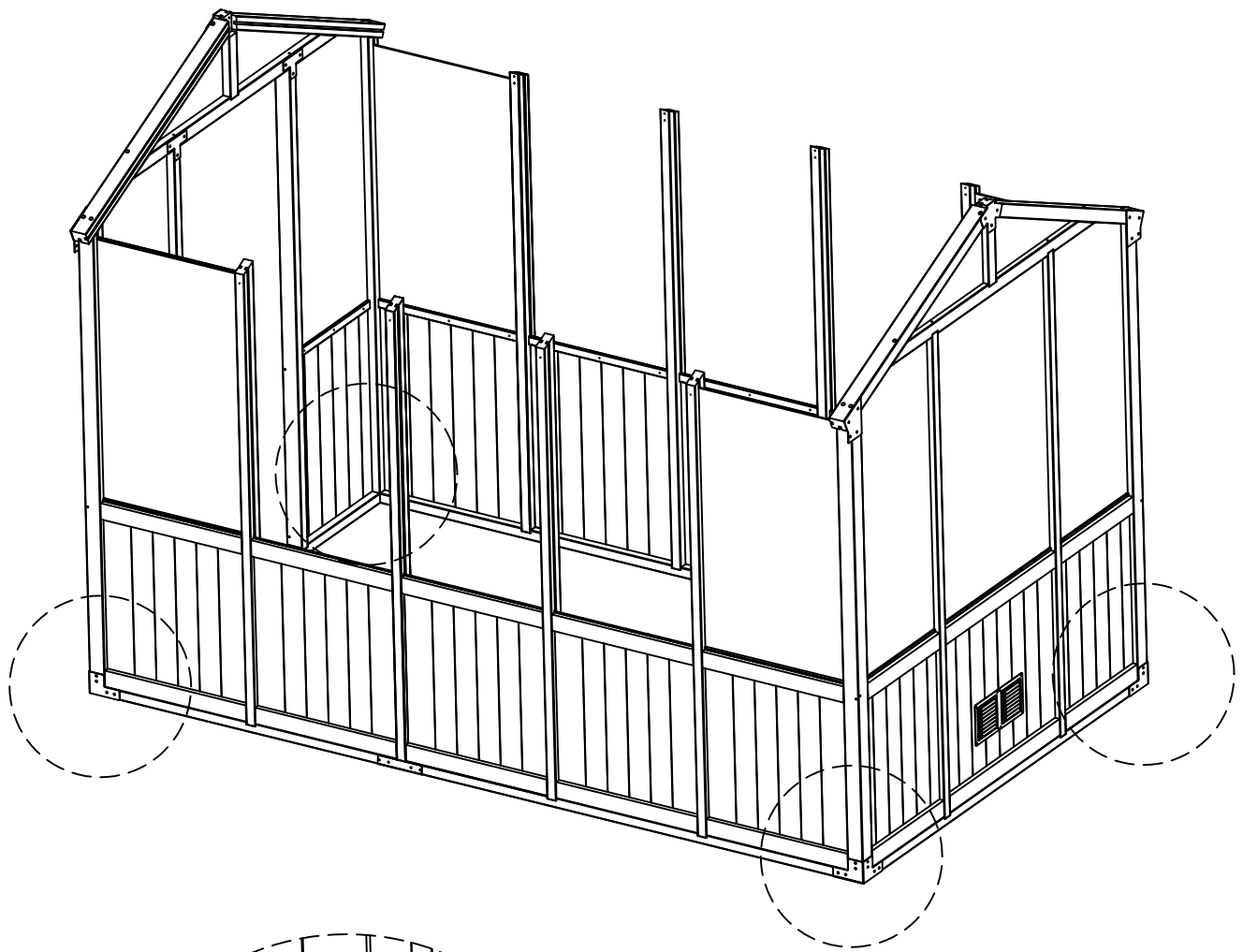
(960x577)

P3 2X



M4x90 BB-9 4X

# STEP. 31



Connect the Part (H2) to the four corner by Screw (BB-2).

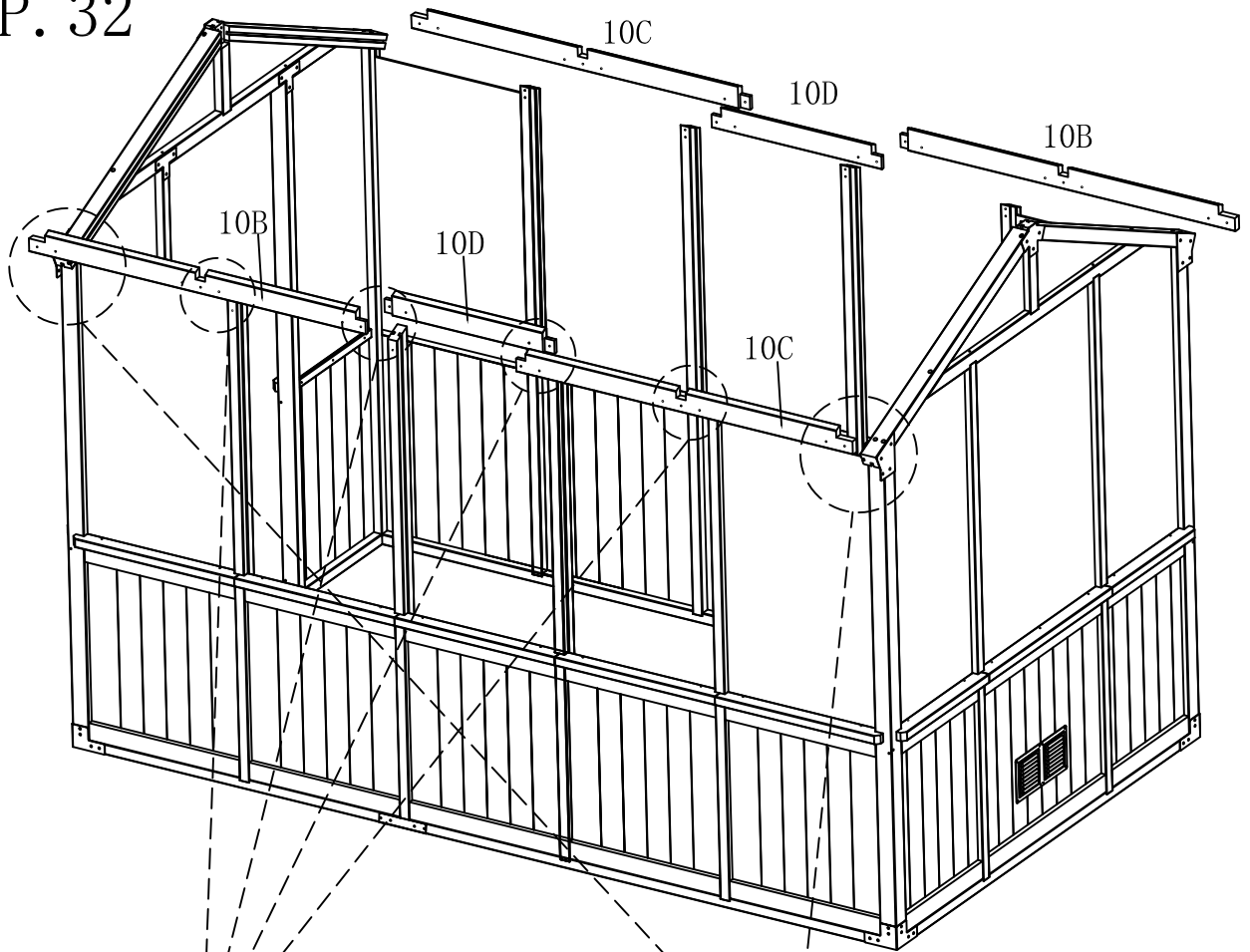


(H2) 4X

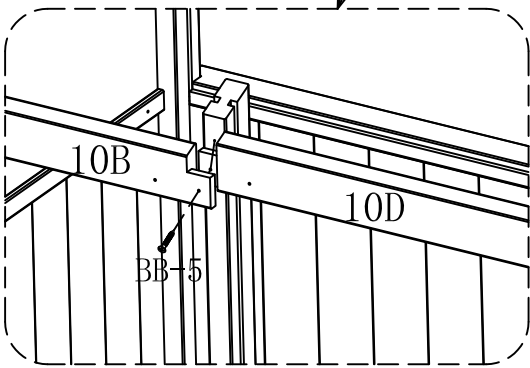


M4x25 (BB-2) 32X

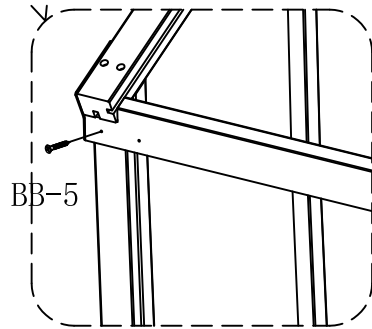
# STEP. 32



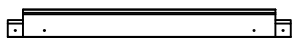
STEP. 1



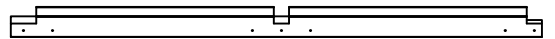
STEP. 2



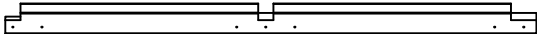
Connect Part (10B), Part (10D) and Part (10C) to the beam by Screw (BB-5).



(10D) 2X



(10B) 2X

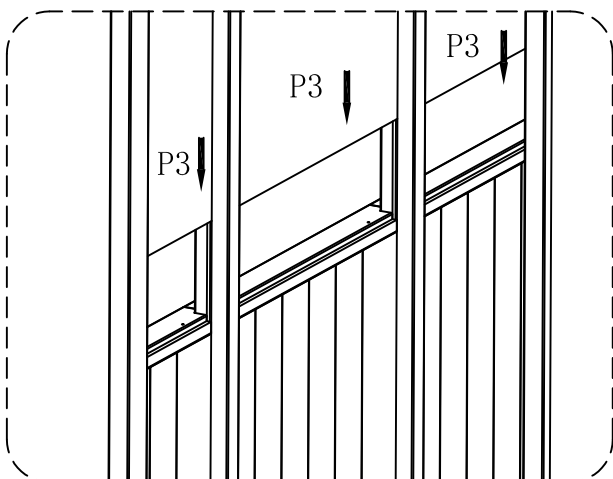
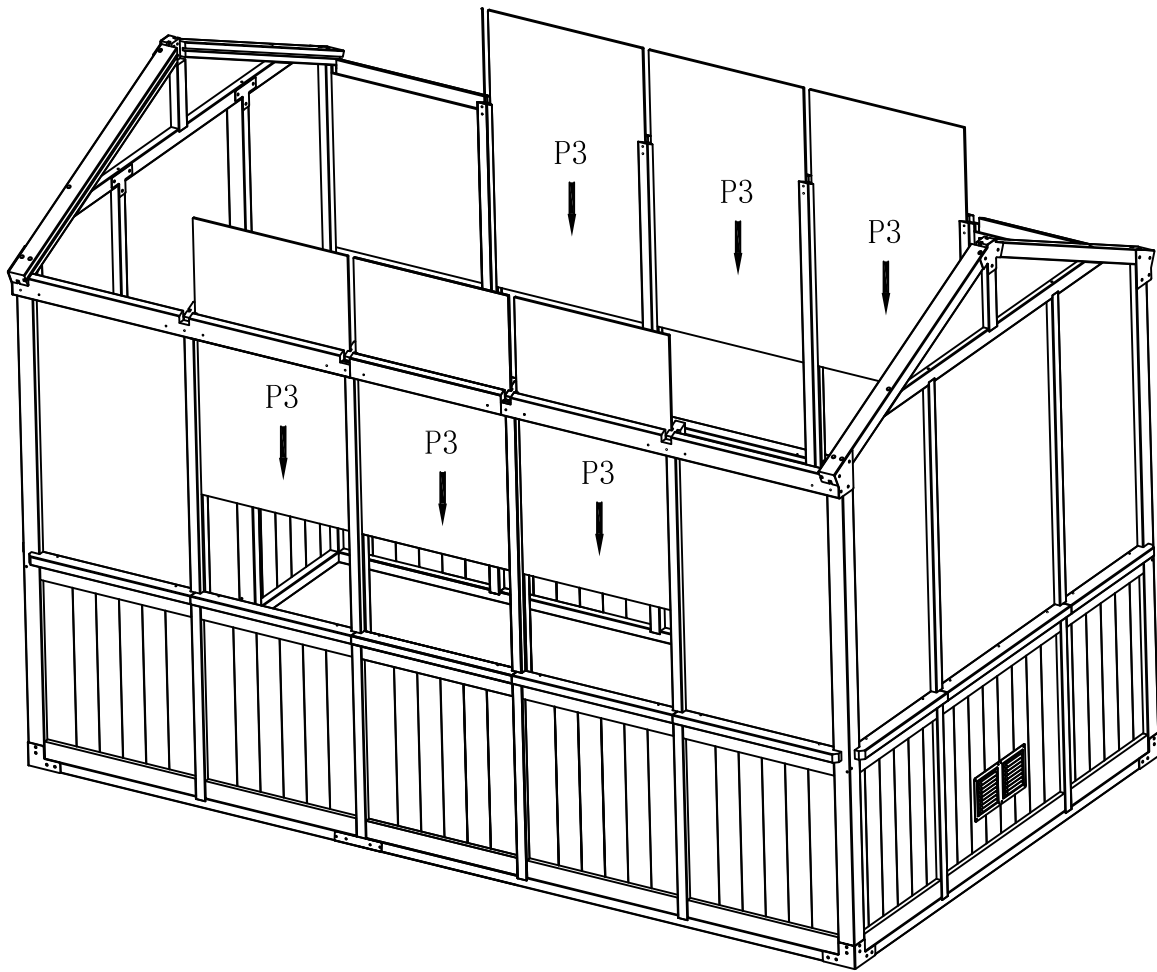


(10C) 2X

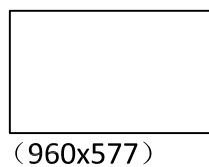


M4x50 (BB-5) 12X

# STEP. 33

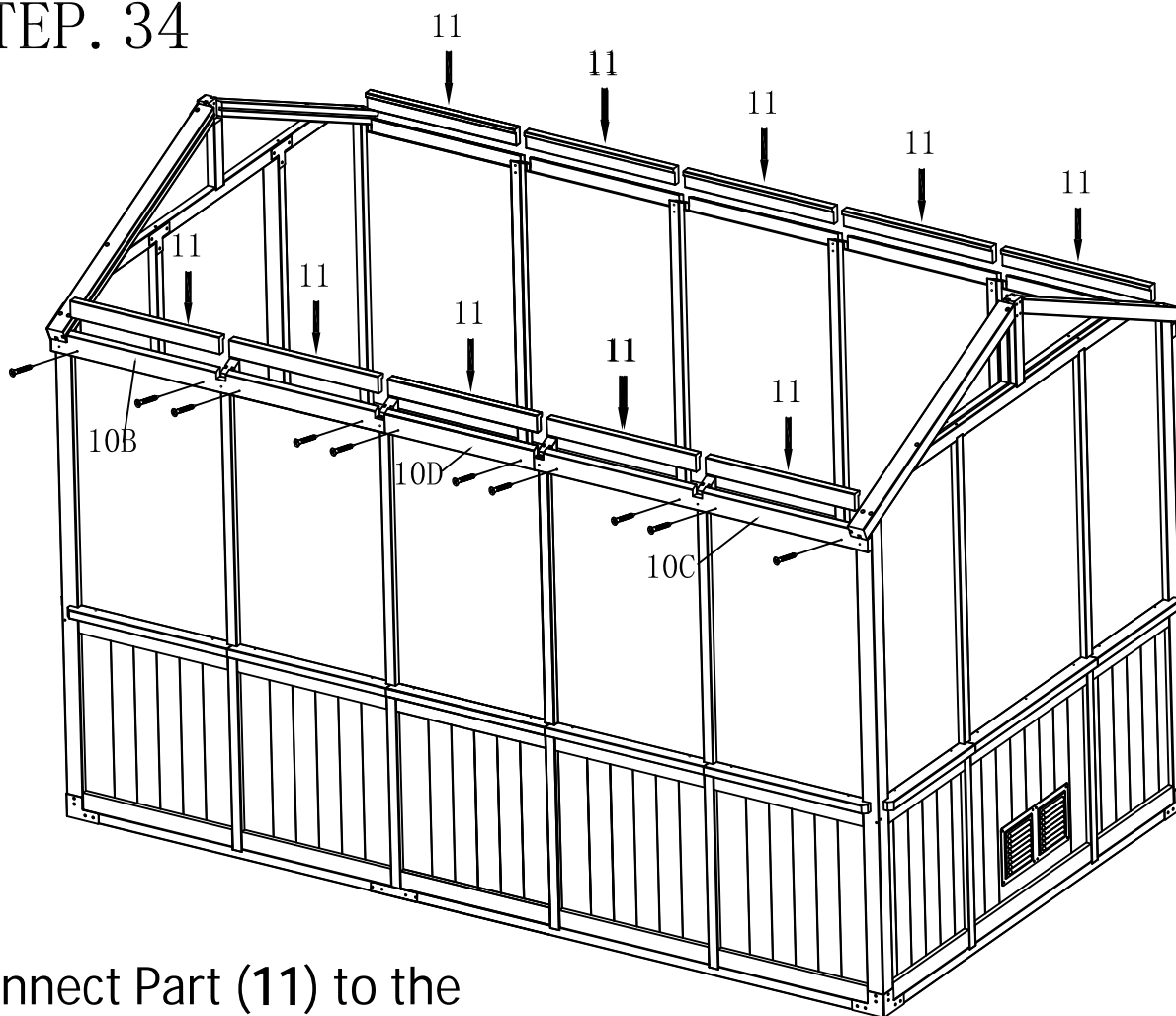


Insert Part (P3) to assembled frame.



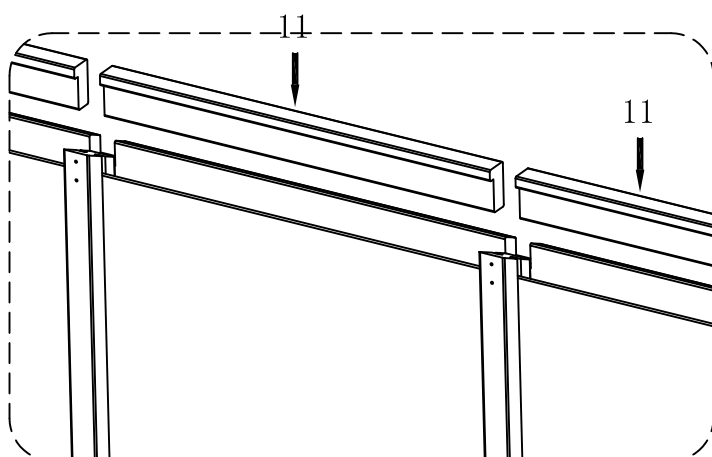
P3 6X

# STEP. 34

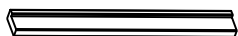
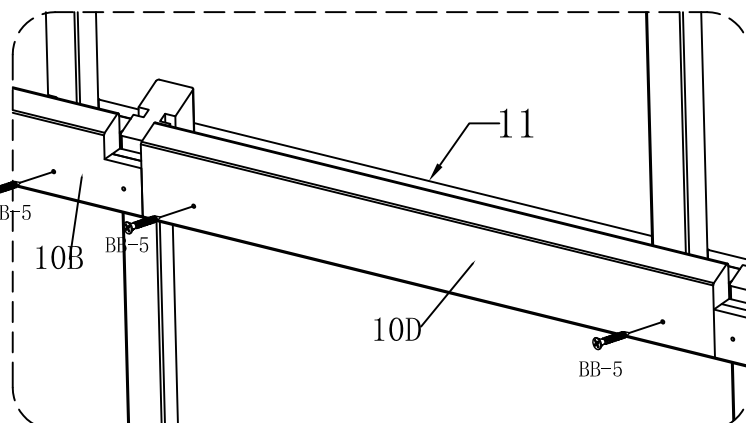


Connect Part (11) to the beam by Screw (BB-5).

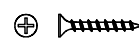
STEP. 1



STEP. 2



(11) 10X

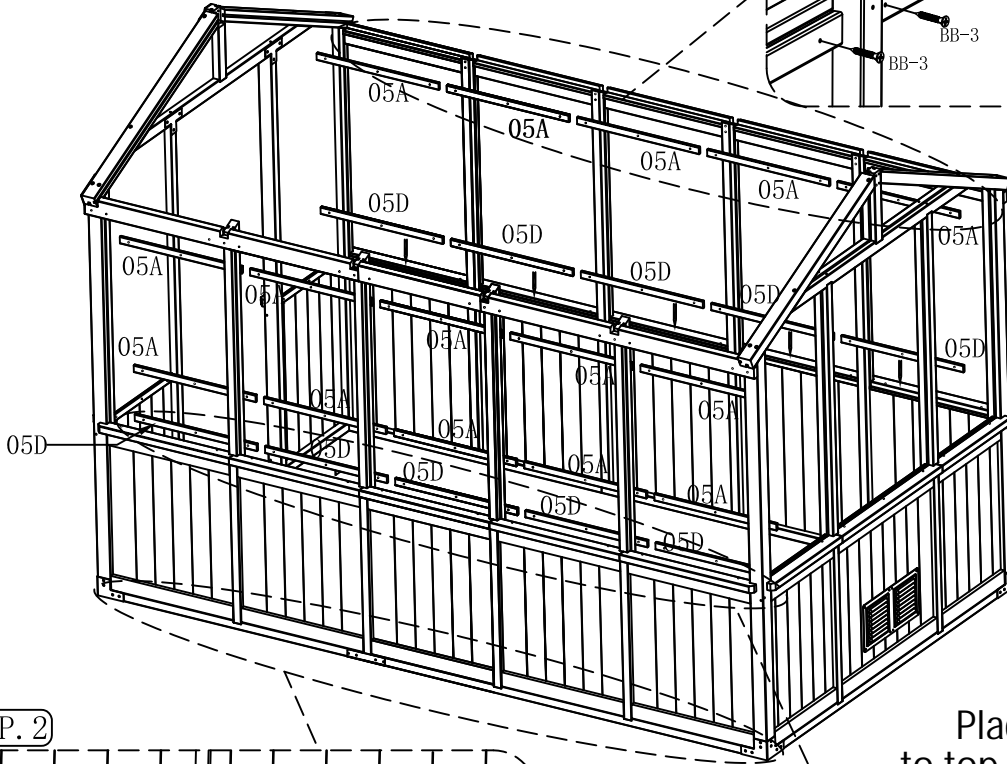
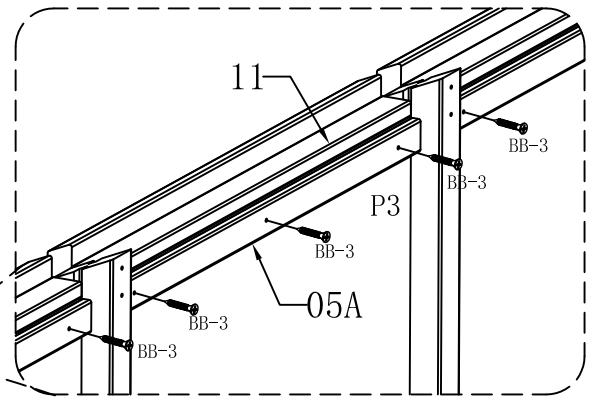


M4x50 (BB-5) 20X

# STEP. 35

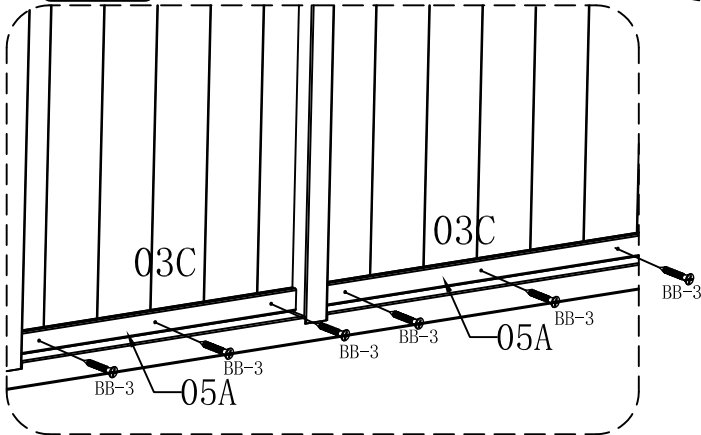
Place Part (05A) parallel to top of Part (P3), on inner side of greenhouse. Then fix it with screw (BB-3).

## STEP. 1

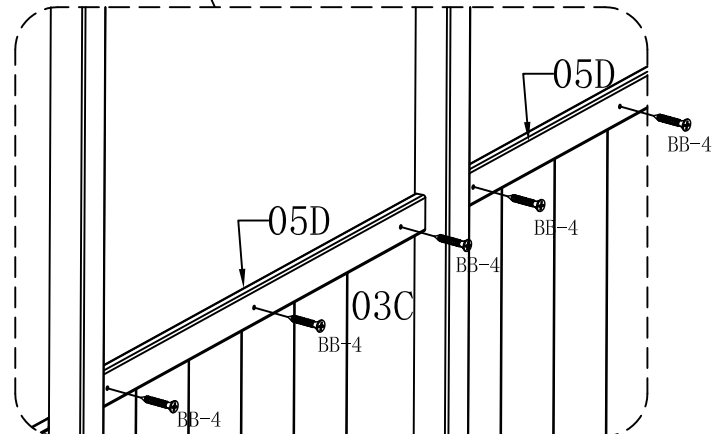


Place Part (05D) parallel to top of Part (03C), on inner side of greenhouse. Then fix it with screw (BB-4).

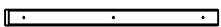
## STEP. 2



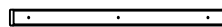
## STEP. 3



Place Part (05A) parallel to bottom of Part (03C), on inner side of greenhouse. Then fix it with screw (BB-3).



(05A) 20X



(05D) 10X

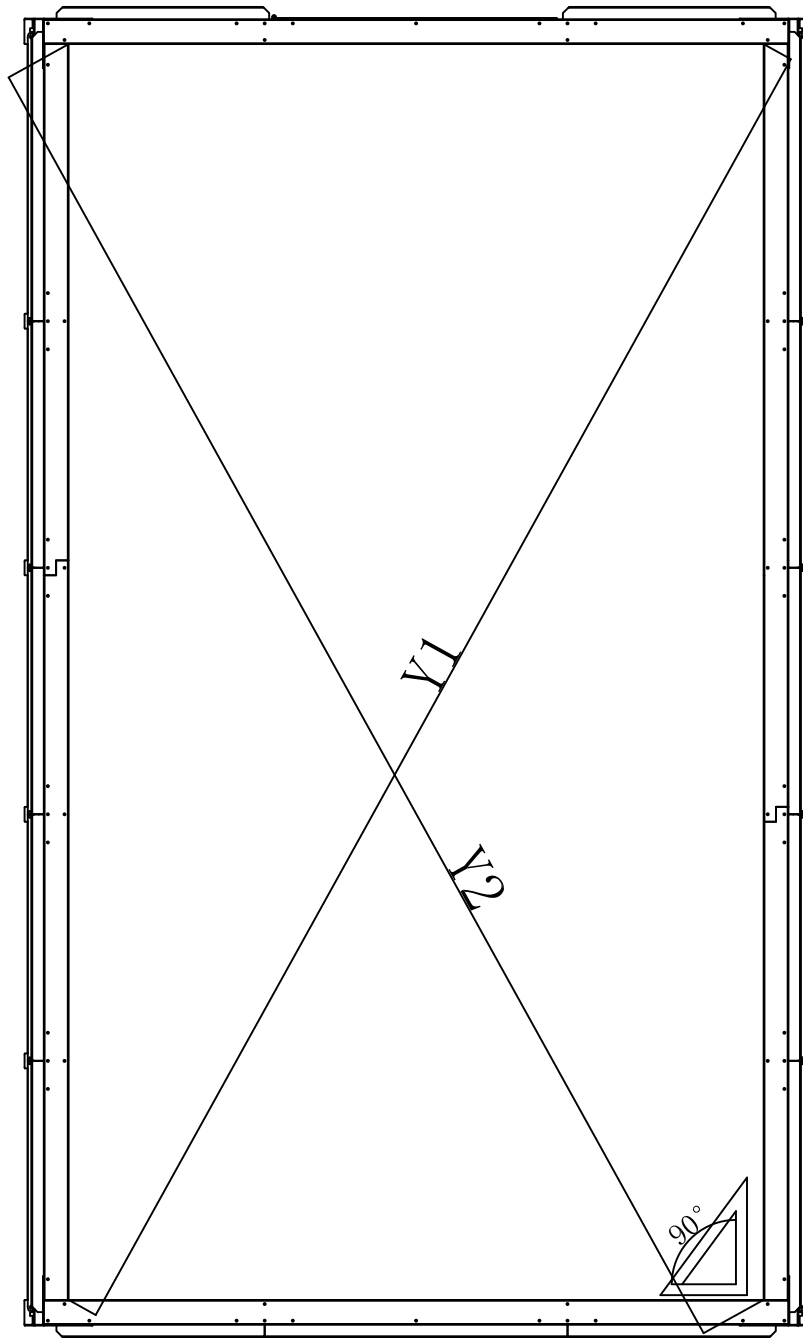


M4x40 (BB-4) 30X



M4x30 (BB-3) 60X

# STEP. 36

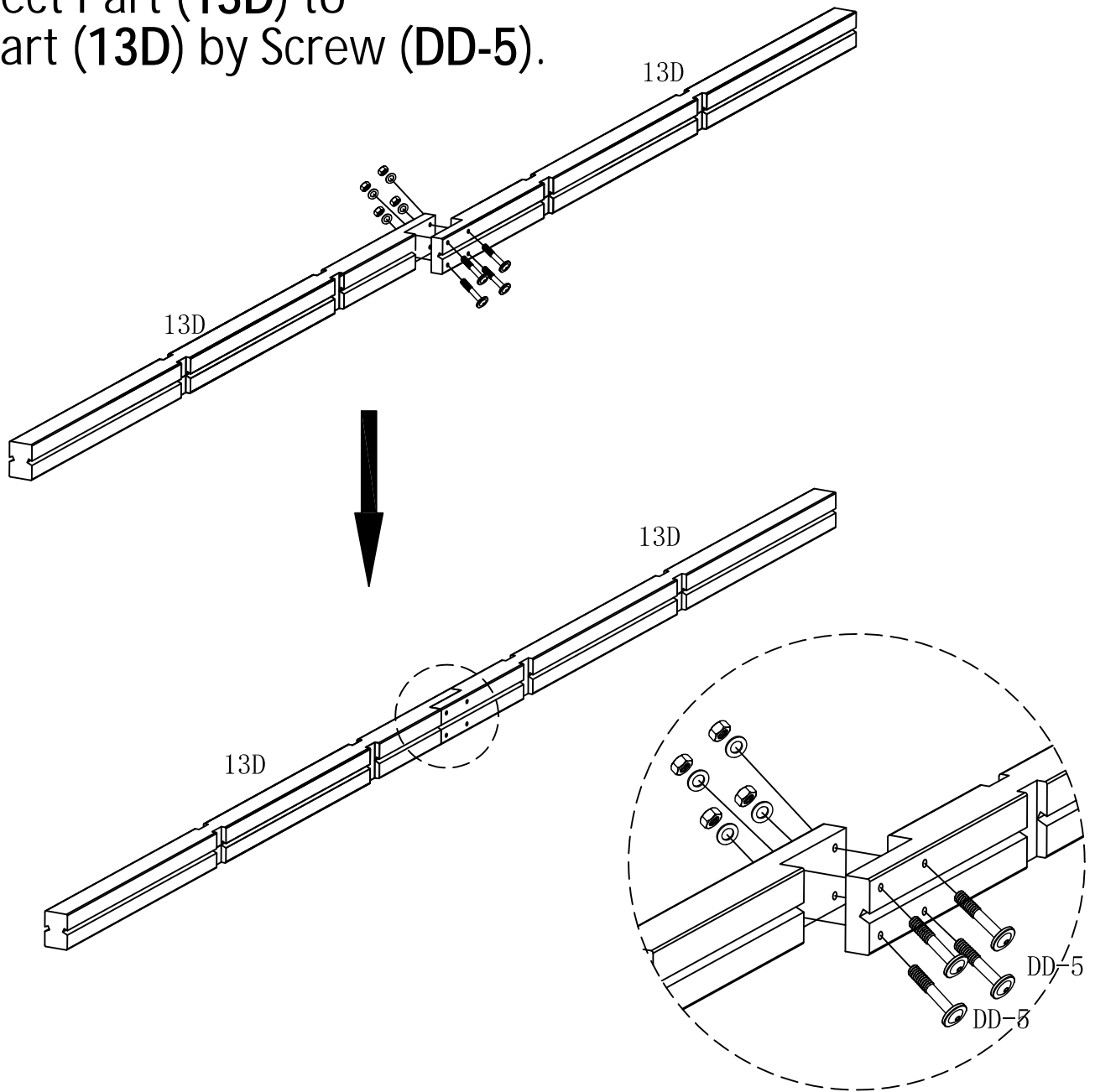


$$Y1=Y2$$

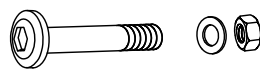
Make sure the angles of the four corners are all  $90^\circ$ .  
Make sure the length of the diagonal Y1 is equal to Y2.

# STEP. 37

Connect Part (13D) to the Part (13D) by Screw (DD-5).



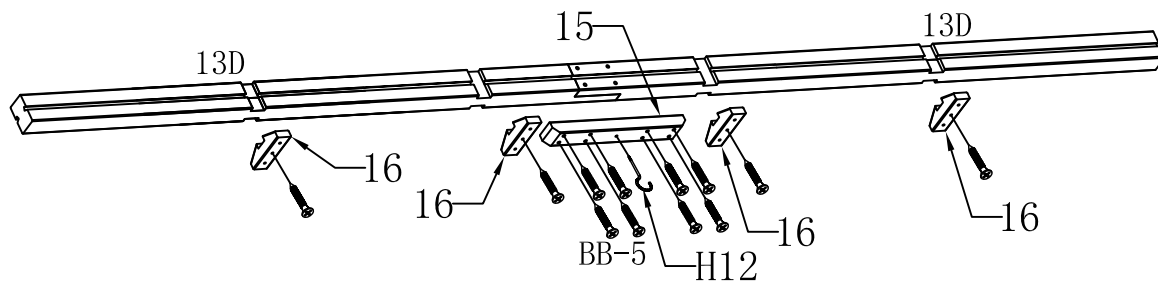
13D 2X



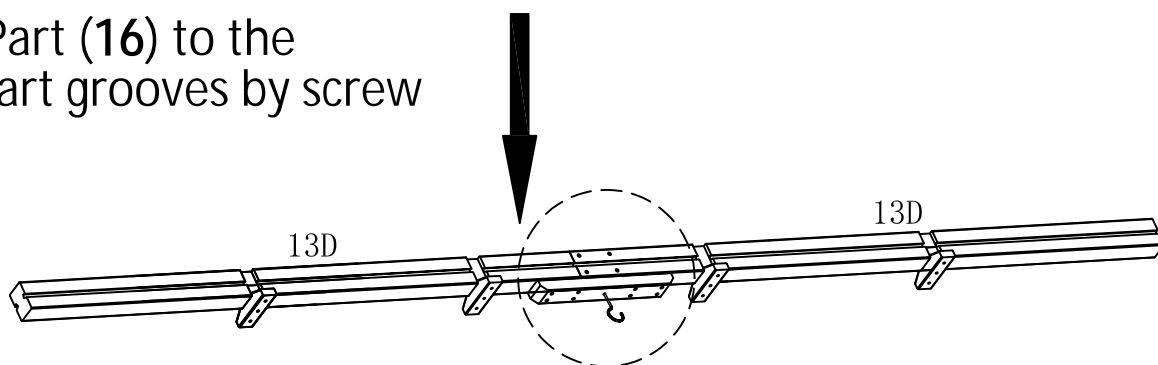
M6x55 DD-5 4X

# STEP. 38

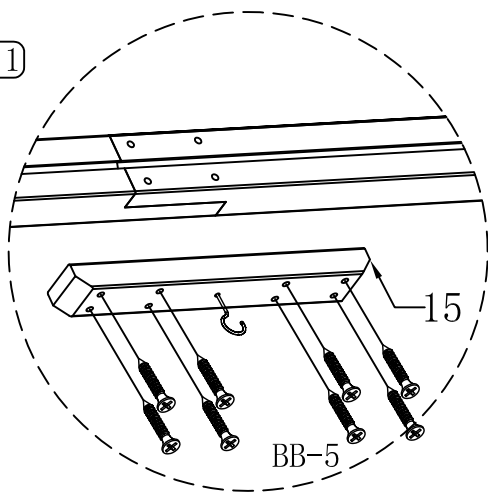
Tighten Part (H12) to the middle of Part (15).  
Connect the assembled part to Part (13D) by Screw (BB-5).



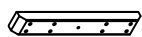
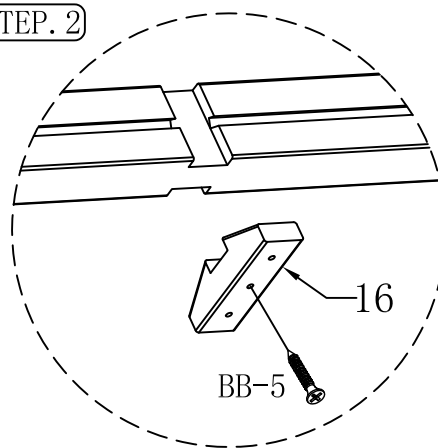
Connect Part (16) to the assembled part grooves by screw (BB-5).



STEP. 1



STEP. 2



15 1X



16 4X



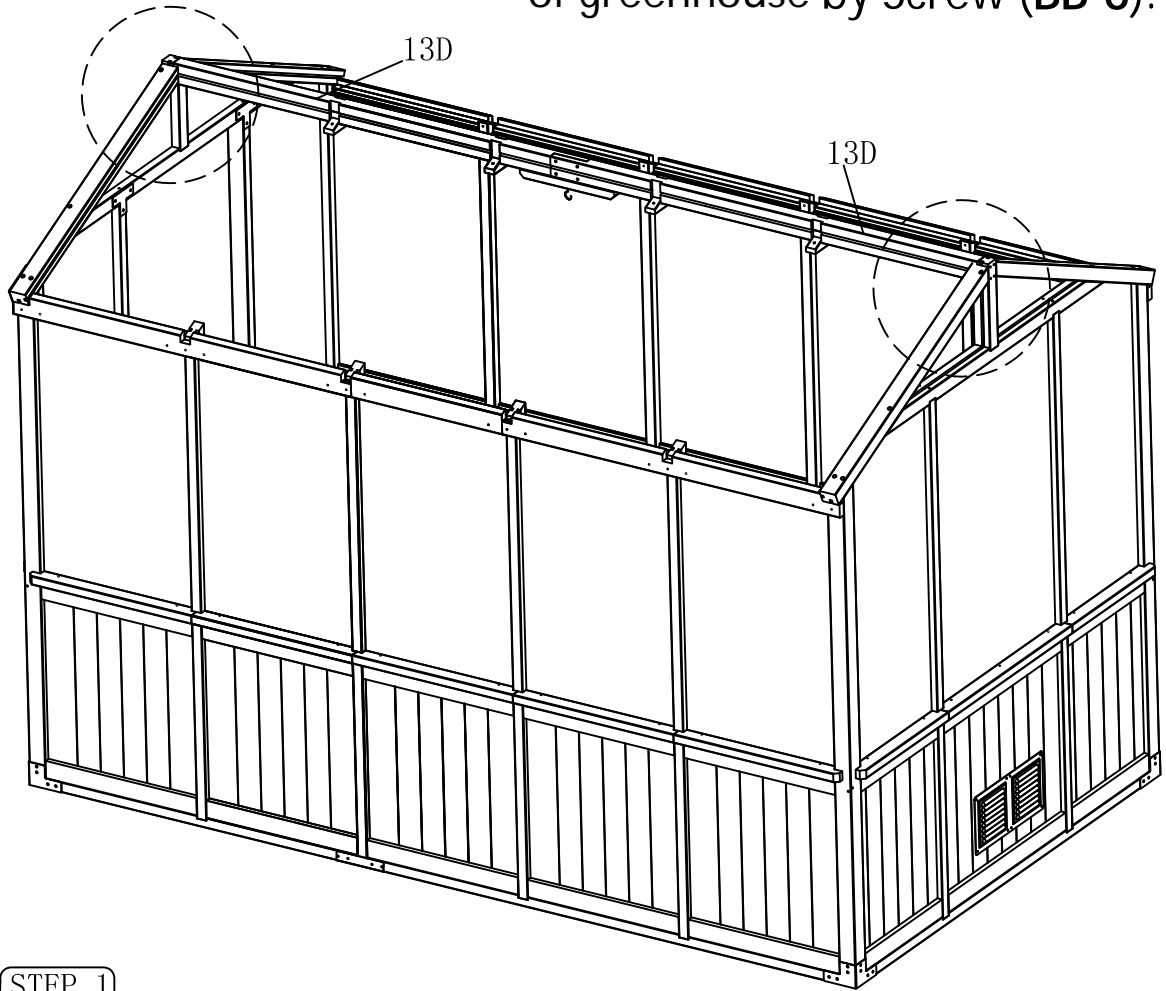
H12 1X



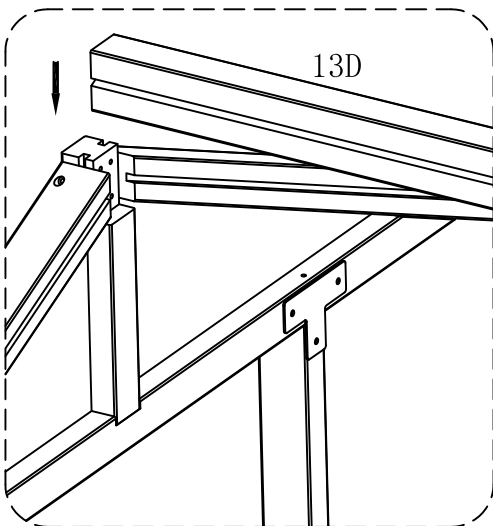
M4x50 BB-5 12X

# STEP. 39

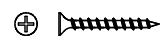
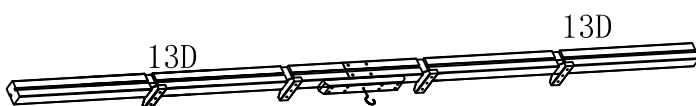
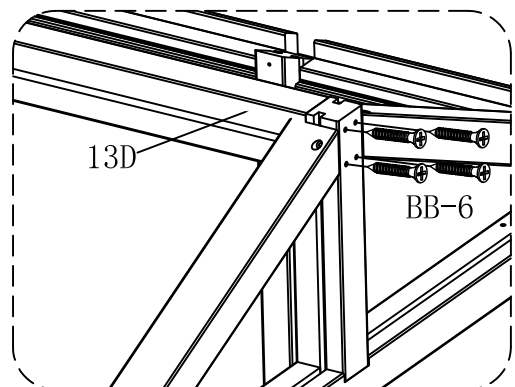
Connect the assembled part on the top of greenhouse by Screw (BB-6).



STEP. 1

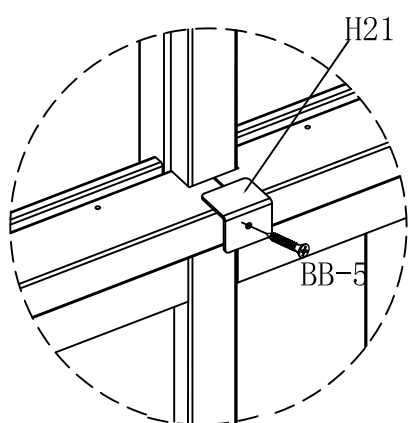
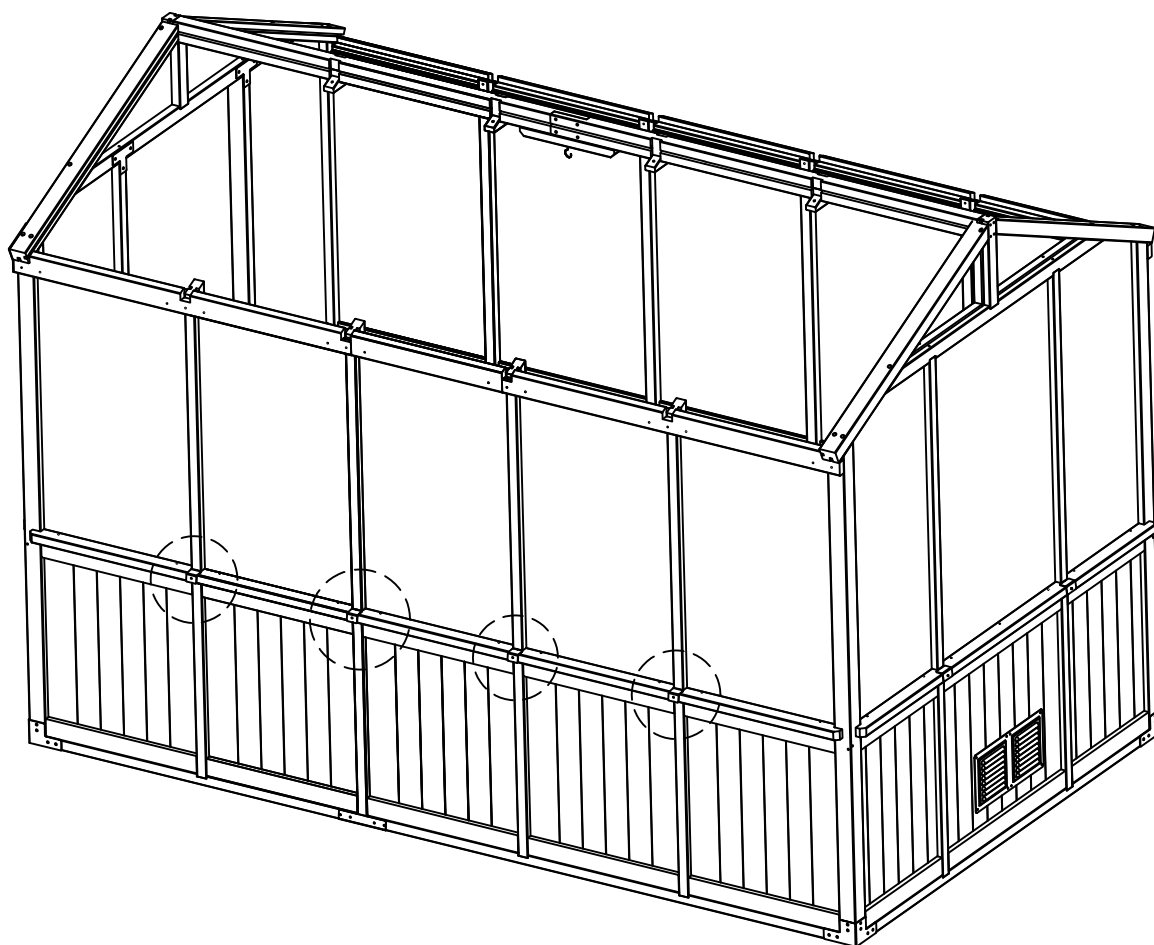


STEP. 2



M4x60 BB-6 8X

# STEP. 40



Connect the Part (H21) on the external of greenhouse by Screw (BB-5).

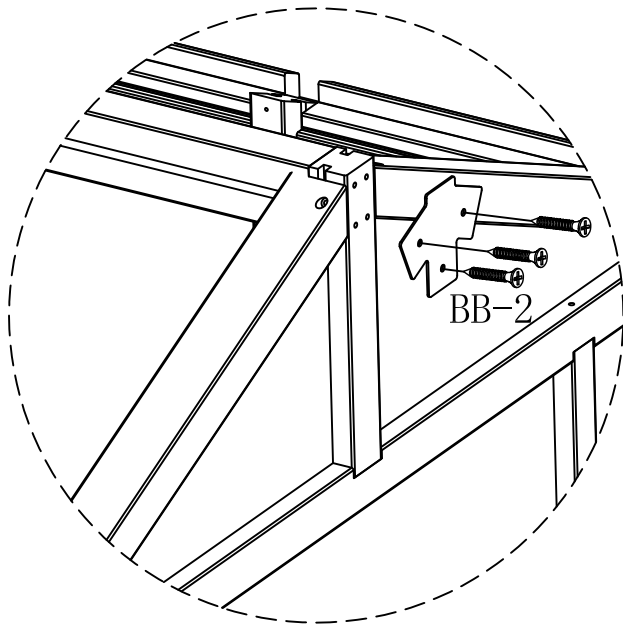
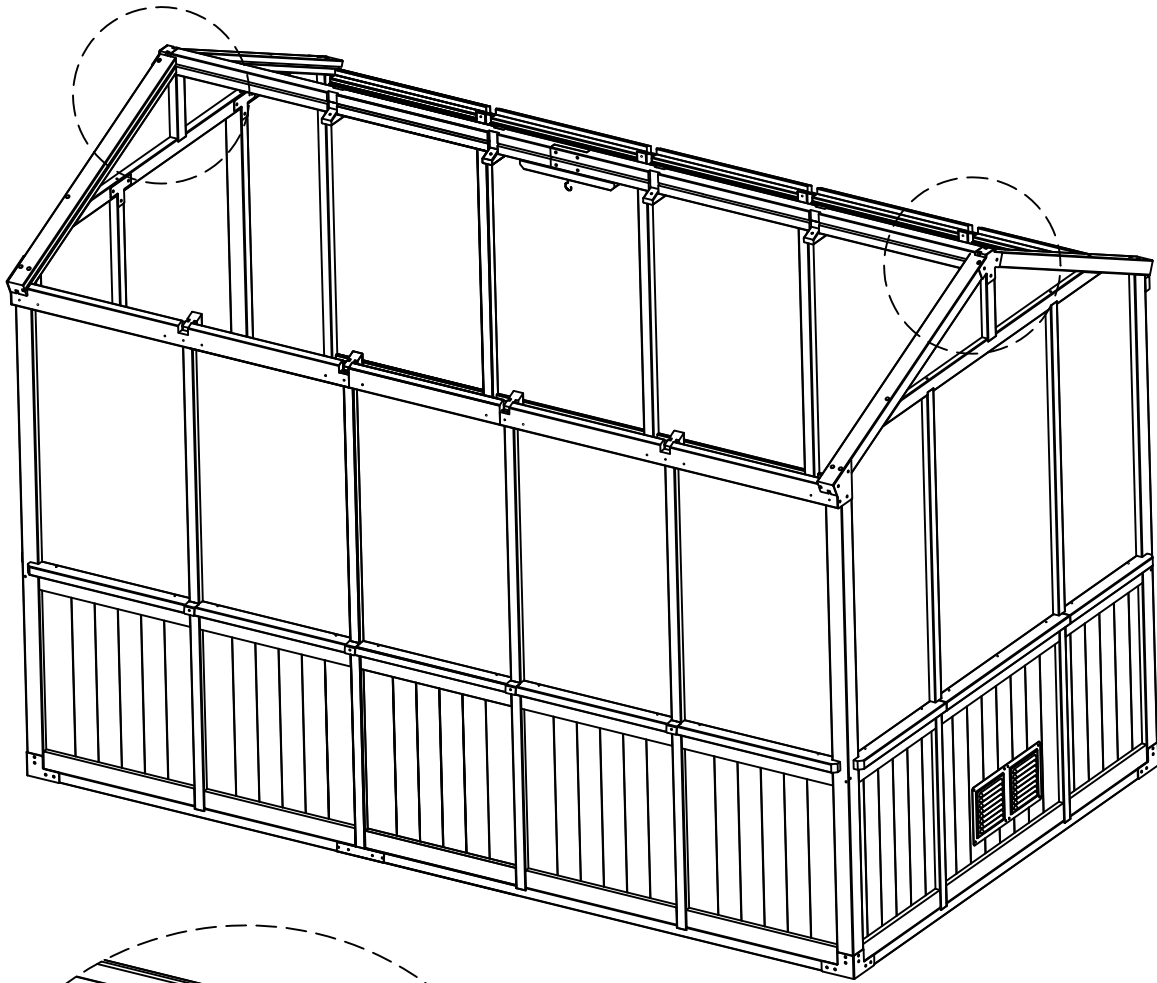


(H21) 8X



M4x50 (BB-5) 8X

# STEP. 41



Connect the Part (H5) on the top of greenhouse by Screw (BB-2).

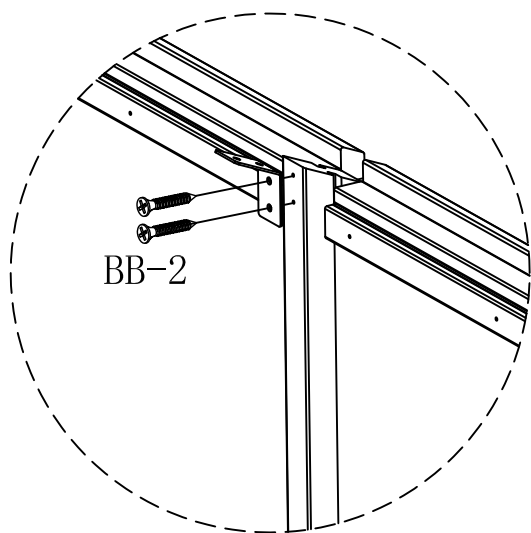
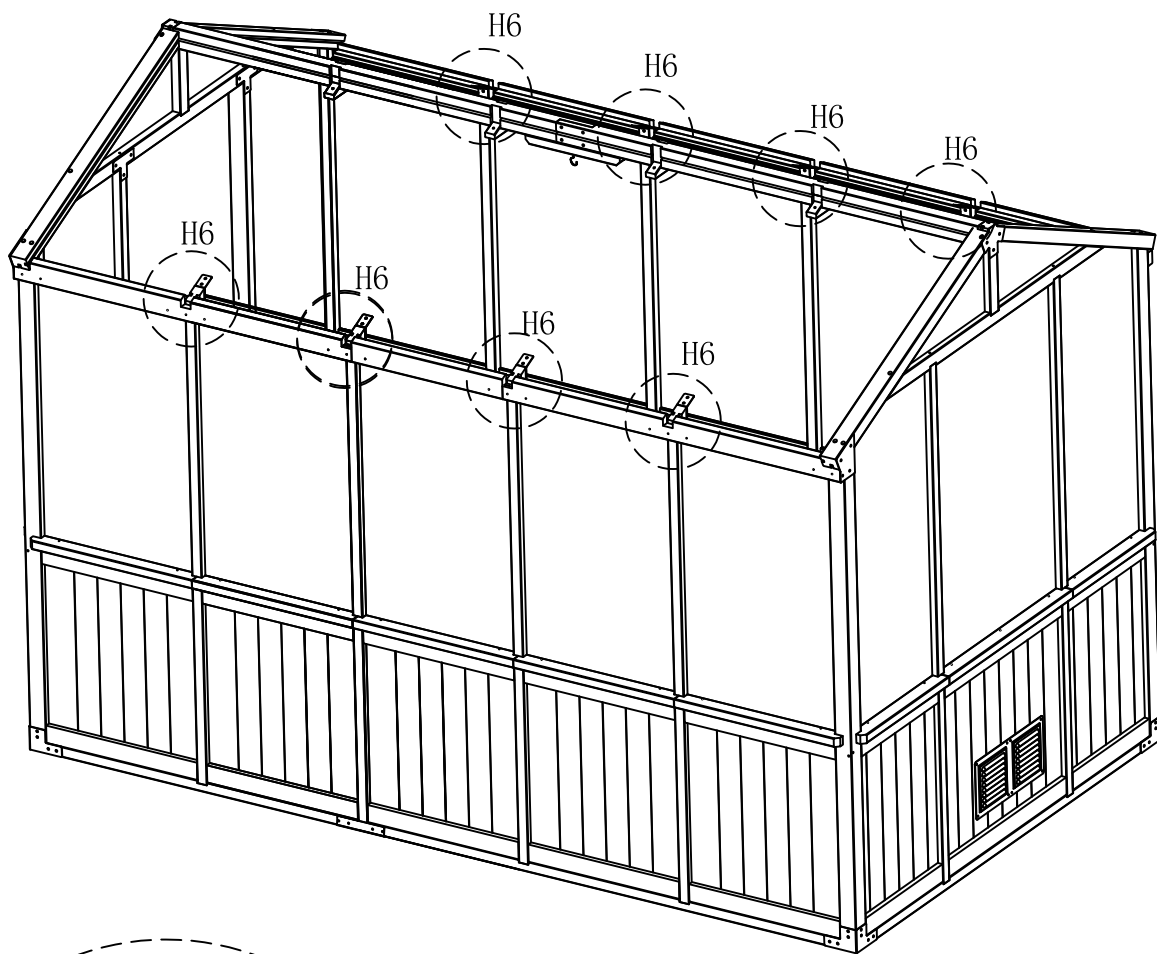


H5 2X

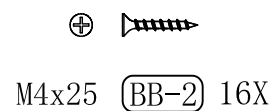
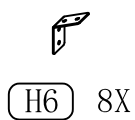


M4x25 BB-2 6X

# STEP. 42

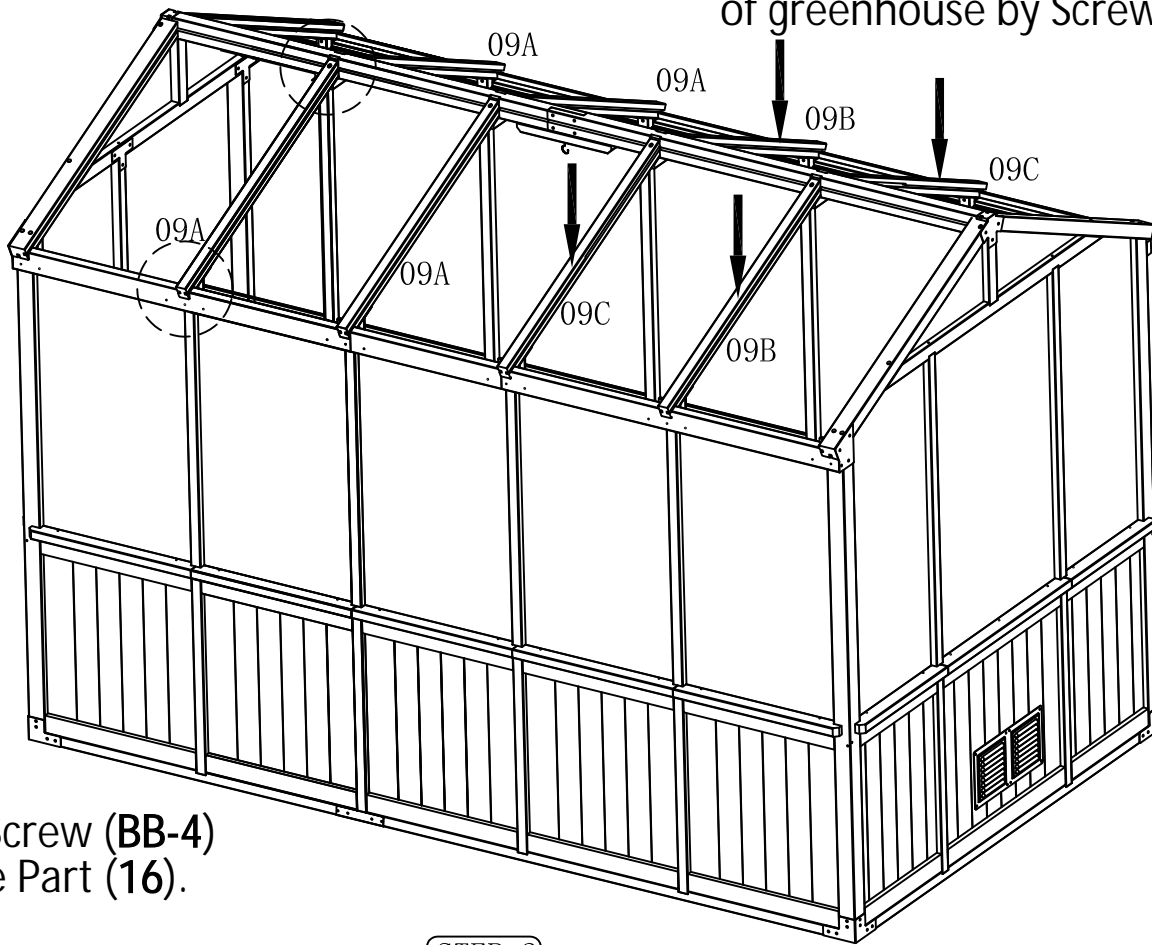


Connect the Part (H6) on the top of greenhouse by Screw (BB-2).



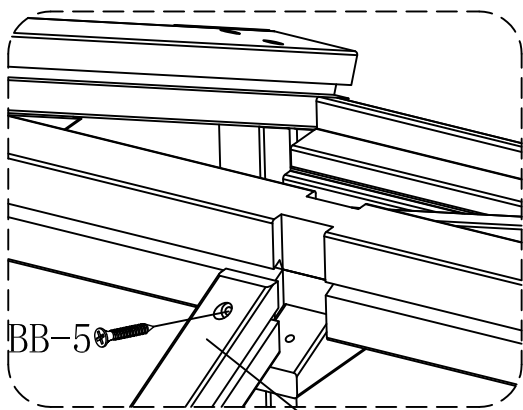
# STEP. 43

Connect the Part (09A), Part (09B) and Part (09C) on the top of greenhouse by Screw (BB-5).



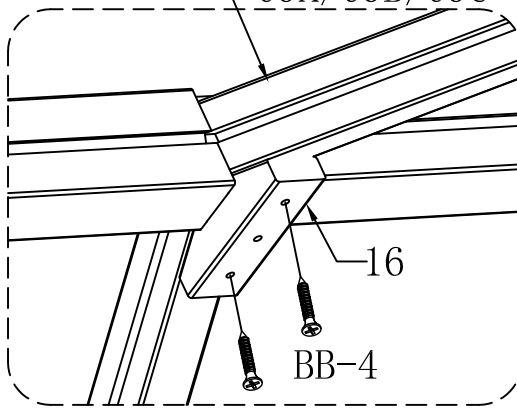
Use Screw (BB-4) to fix the Part (16).

STEP. 1



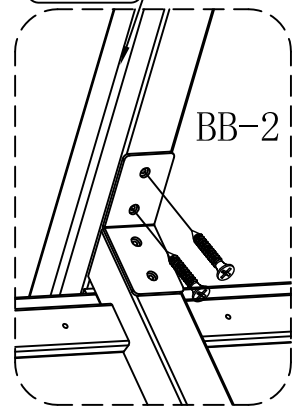
09A/09B/09C

STEP. 2



09A/09B/09C

STEP. 3



09A/09B/09C

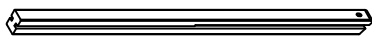
Use Screw (BB-2) to fix the Part (H6).



09A 4X



09B 2X



09C 2X



M4x25 BB-2 16X



M4x40 BB-4 8X

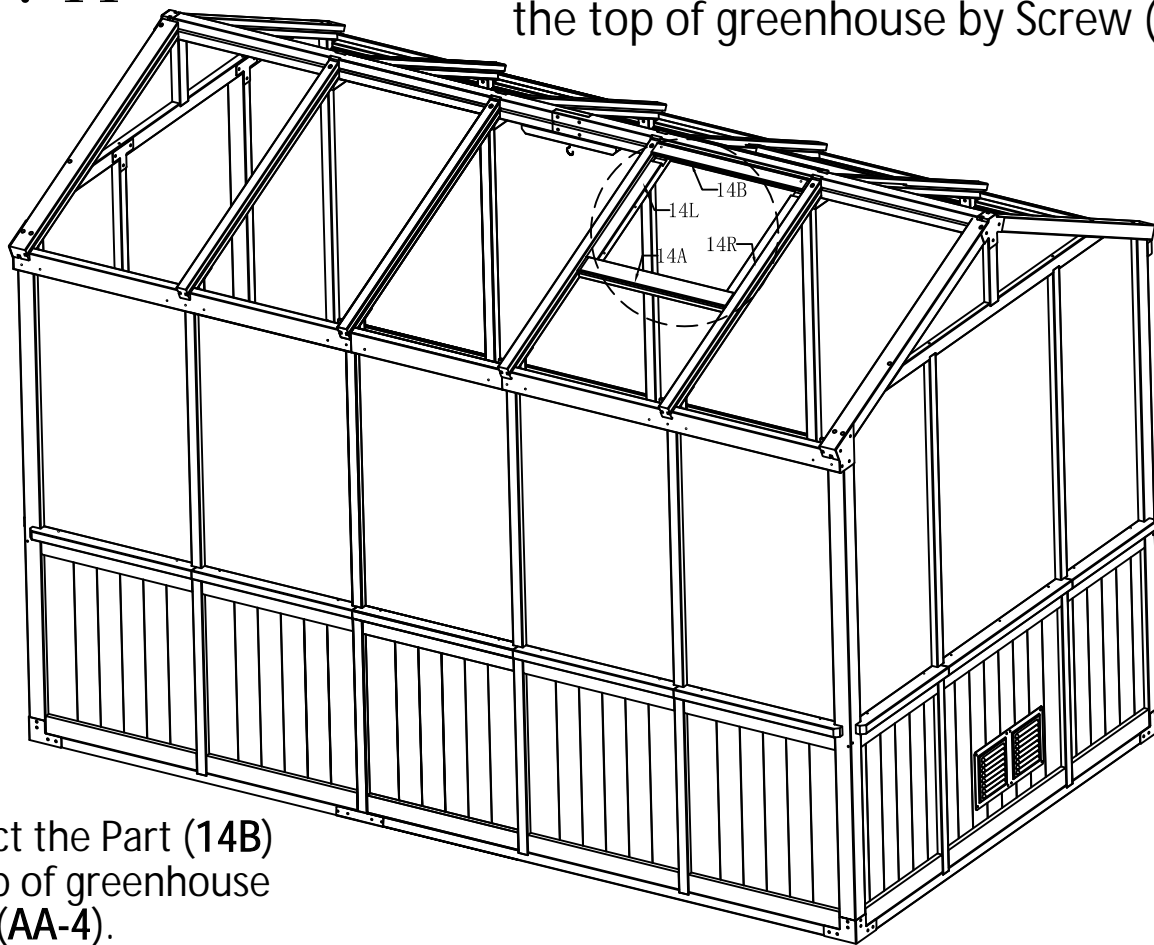


M4x50 BB-5 8X

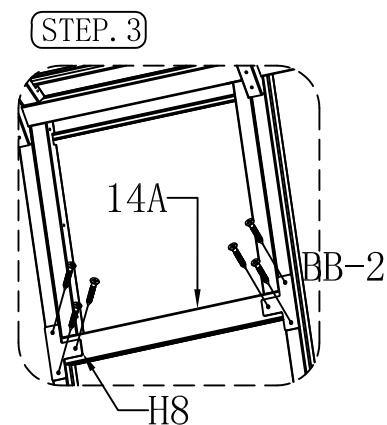
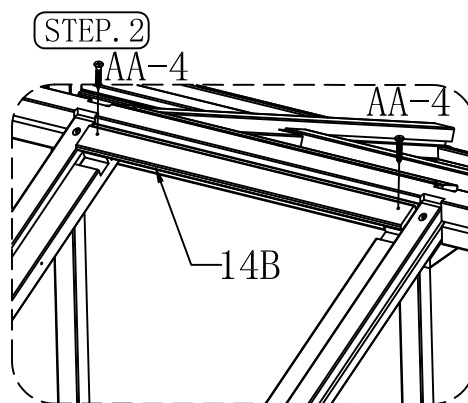
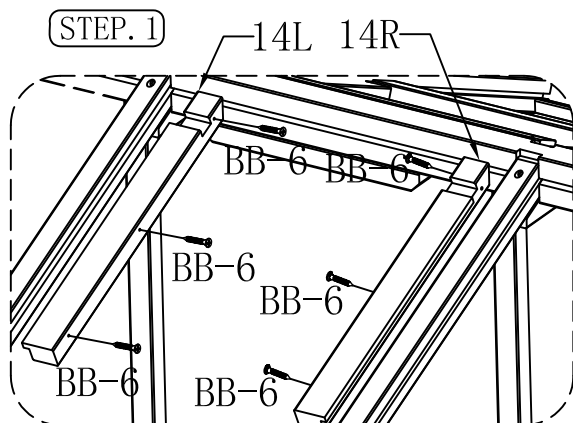
# STEP. 44

Connect the Part (14L), Part (14R) on the top of greenhouse by Screw (BB-6).

\*2



Connect the Part (14B) on the top of greenhouse by Screw (AA-4).



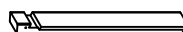
Connect the Part (14A), Part (H8) on the top of greenhouse by Screw (BB-2).



(14A) 2X



(14B) 2X



(14L) 2X



(14R) 2X



(H8) 4X



M3x40 (AA-4) 4X



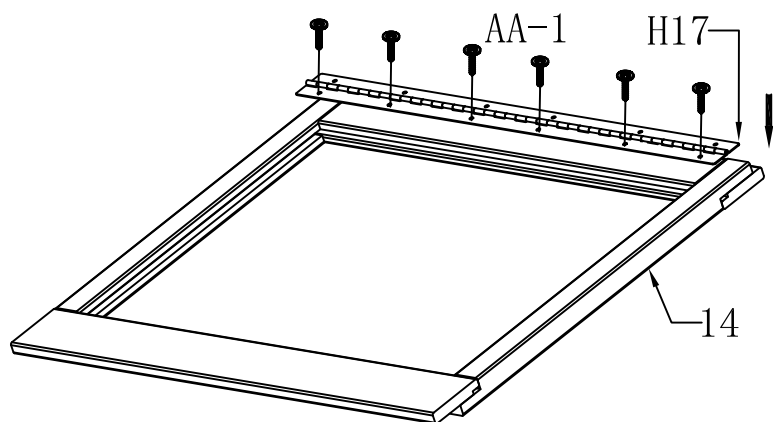
M4x60 (BB-6) 12



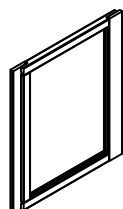
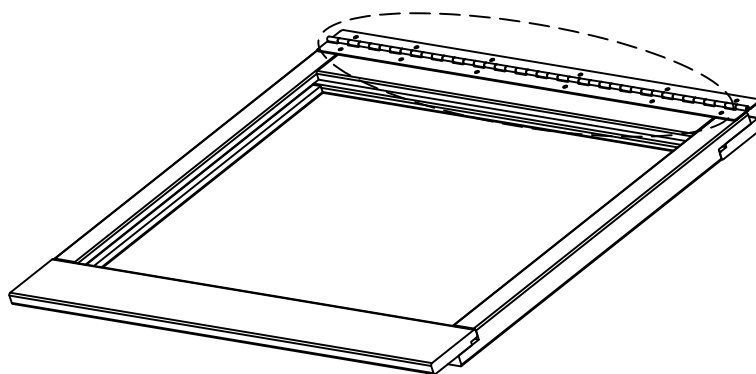
M4x25 (BB-2) 12X

# STEP. 45

\*2



Connect Part (H17) to Part (14) by Screw (AA-1).



14 2X



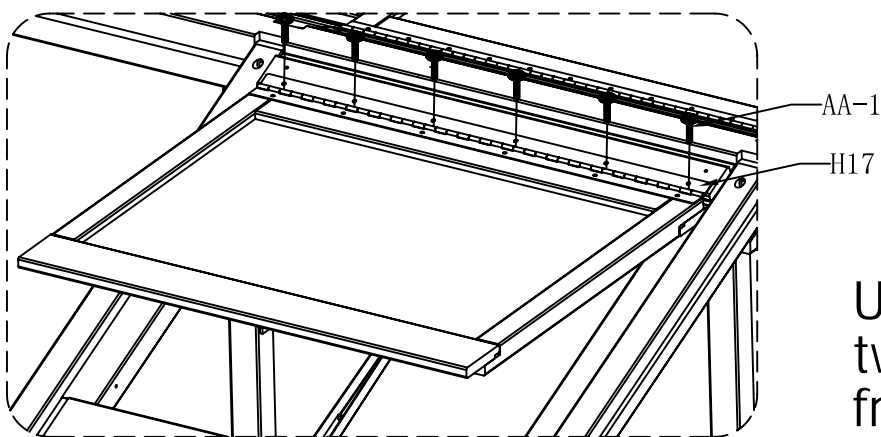
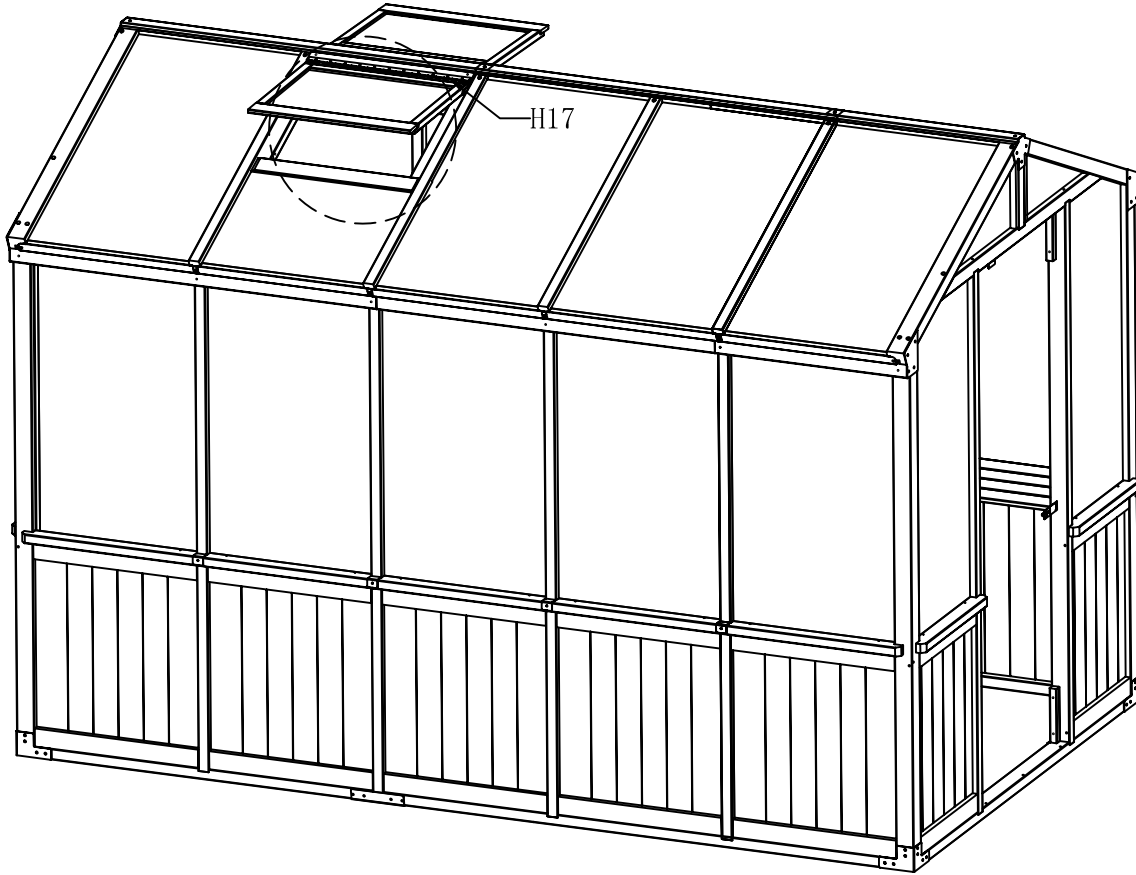
H17 2X



M3x20 AA-1 12X

# STEP. 46

\*2



Use Screw (**AA-1**) to fix the two assembled skylight frame on the top of greenhouse.

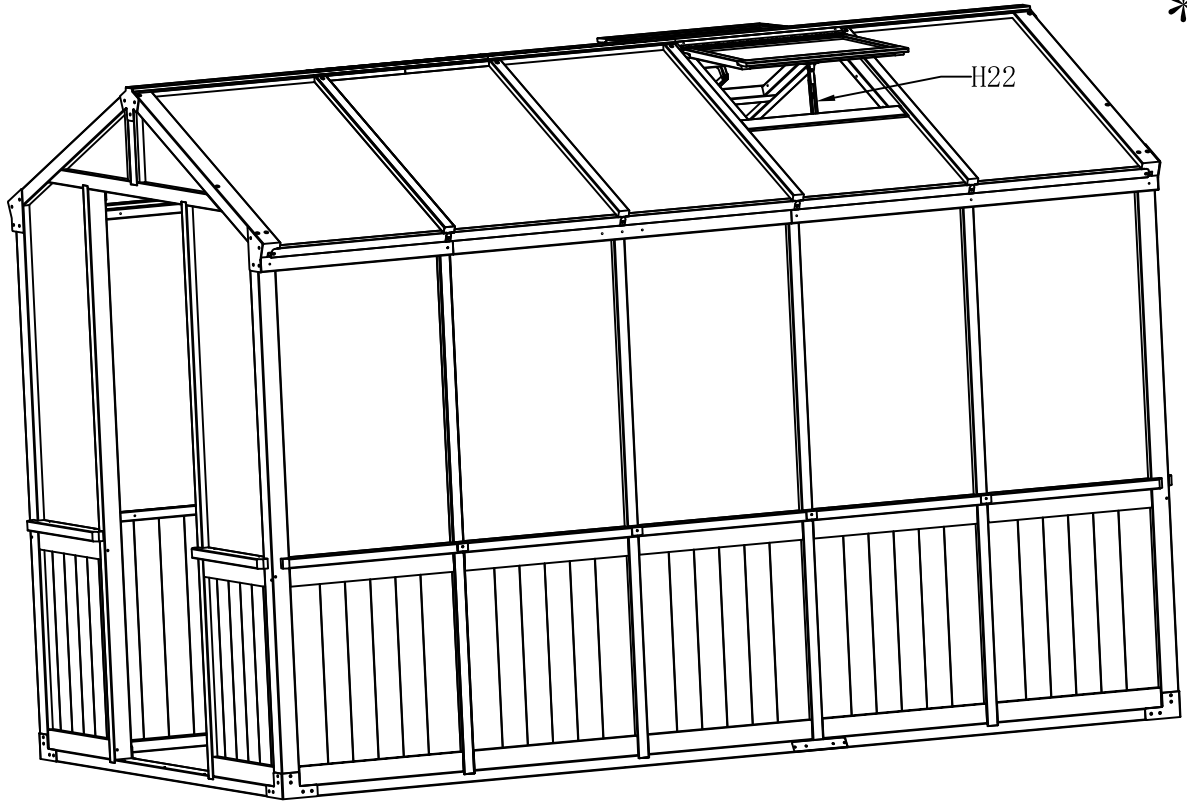


M3x20 (AA-1) 12X

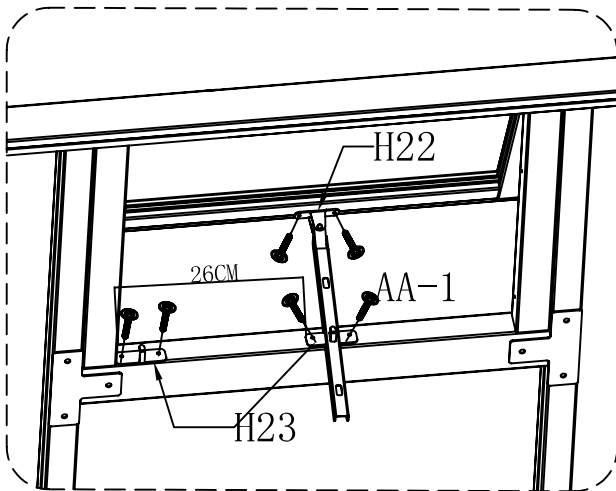
# STEP. 47

Connect the Part (H23) to skylight frame by Screw (AA-1). Then connect Part (H22) by Screw (AA-1).

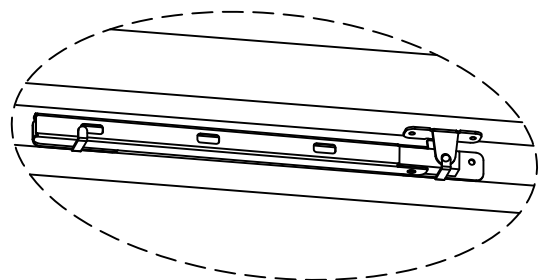
\*2



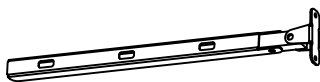
## STEP. 1



## STEP. 2



Support Rod  
Closed State Display



(H22) 2X



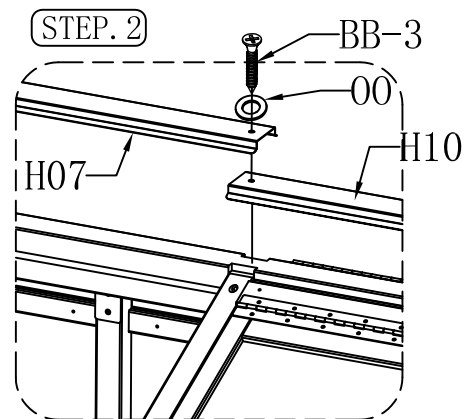
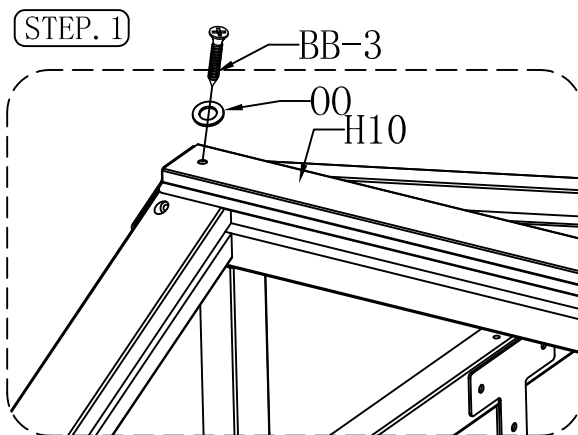
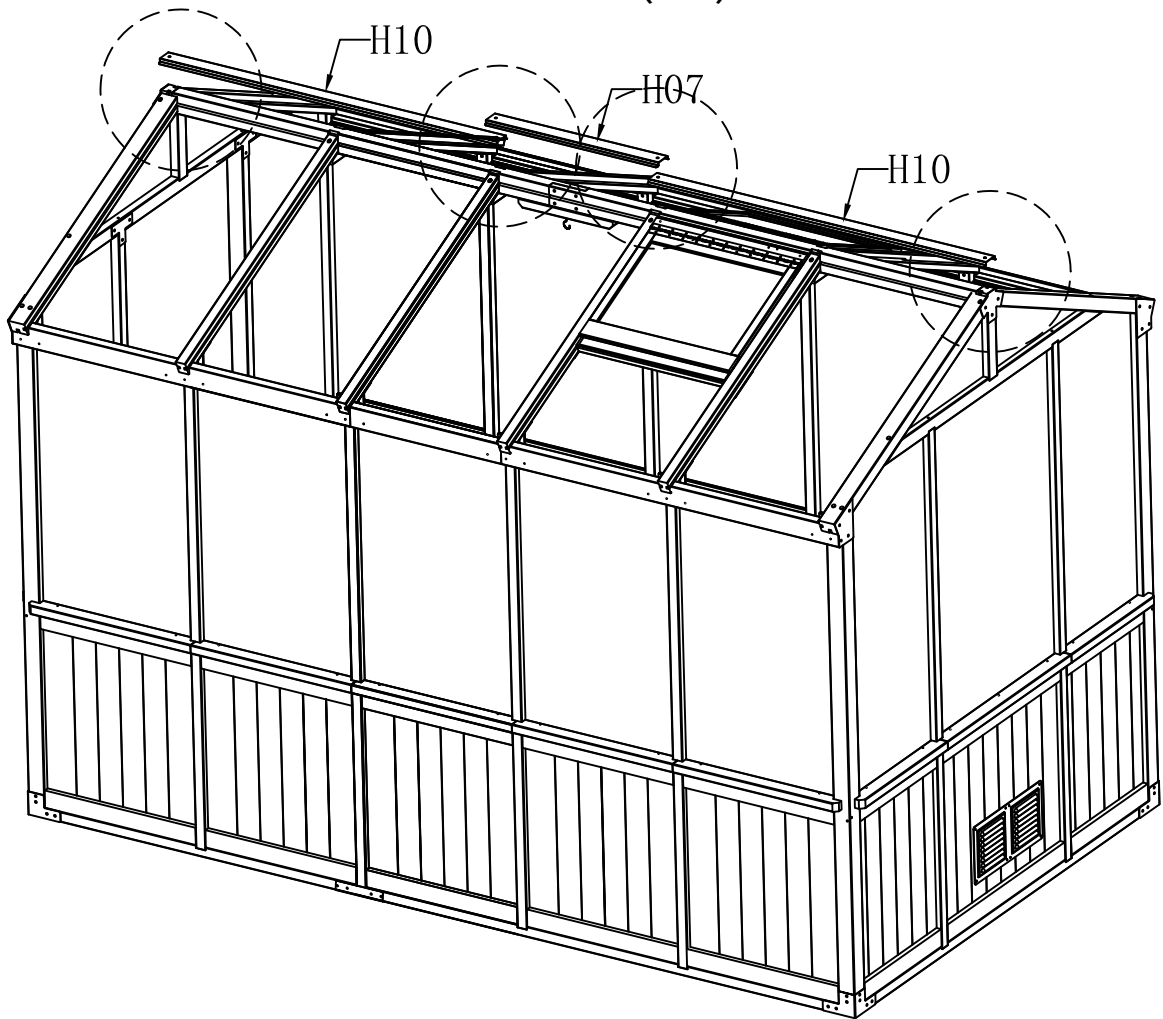
(H23) 4X



M3x20 (AA-1) 12X

# STEP. 48

Connect the Part (H10), Part (H07) on top of greenhouse by Screw (BB-3) and Screw (OO).



(H10) 2X



(H07) 1X



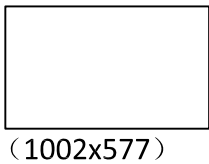
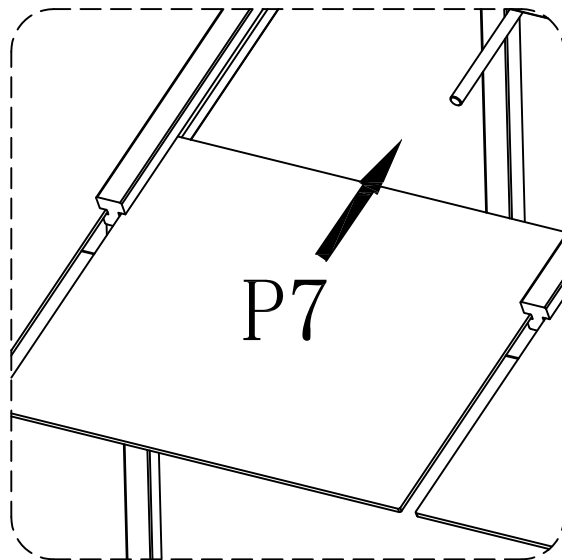
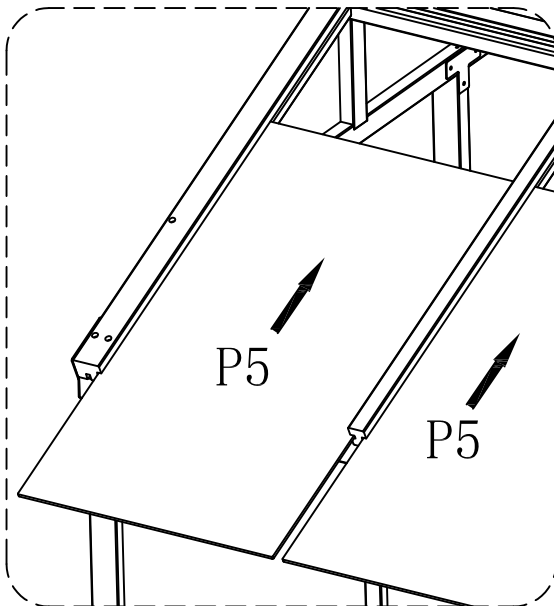
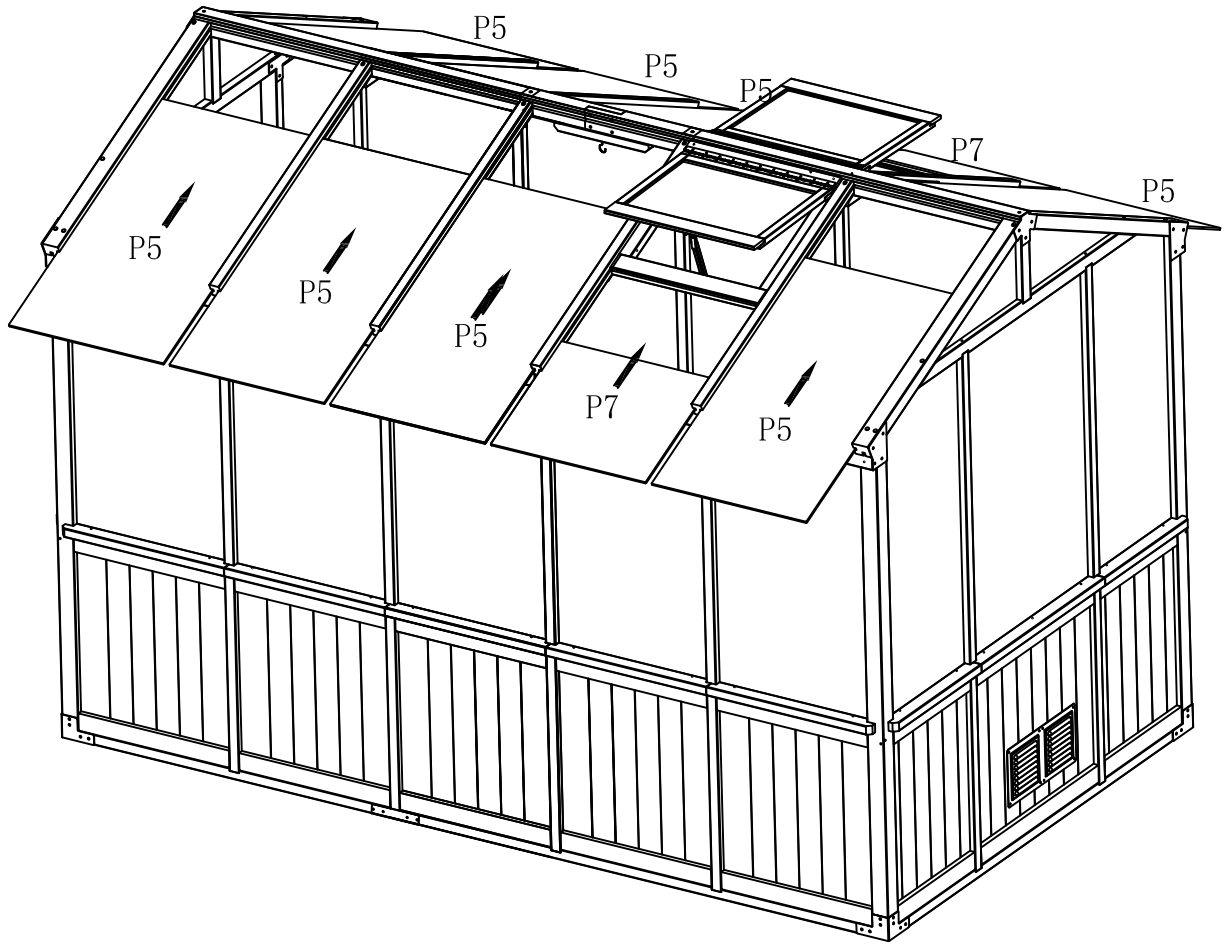
M4x30 (BB-3) 4X



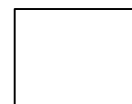
M5 (OO) 4X

# STEP. 49

Insert the Part (P5) and Part (P7) on the top of greenhouse.

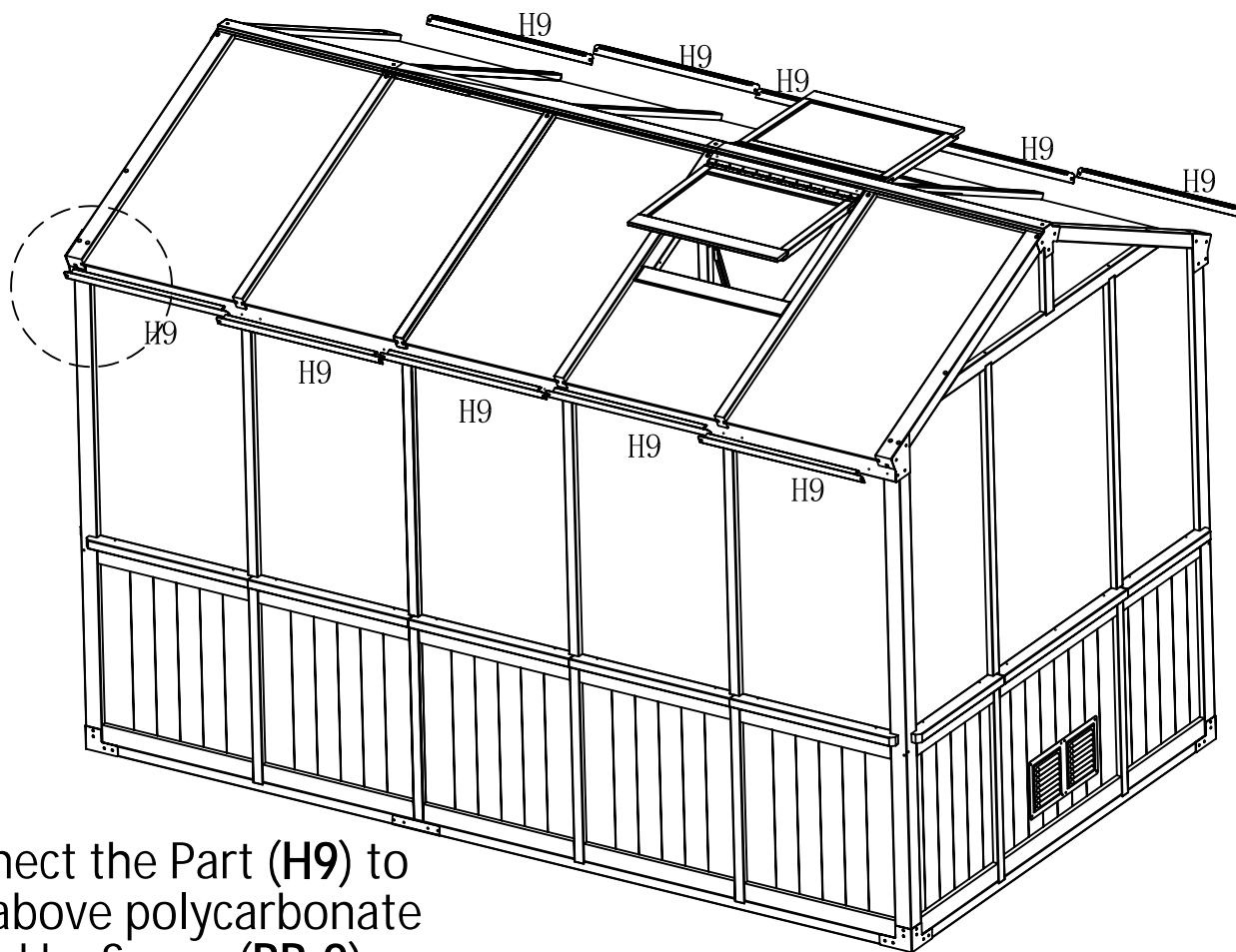


P5 8X

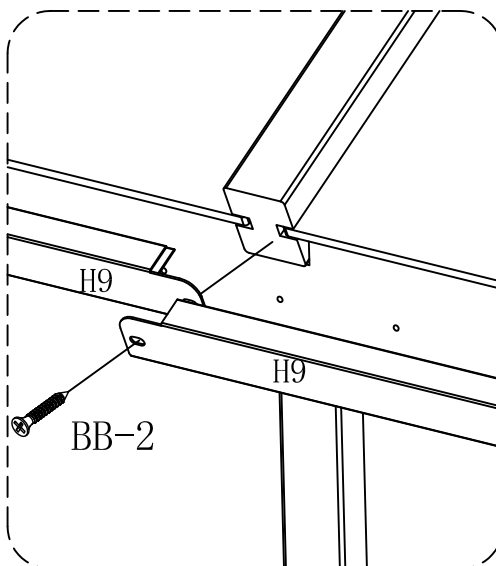
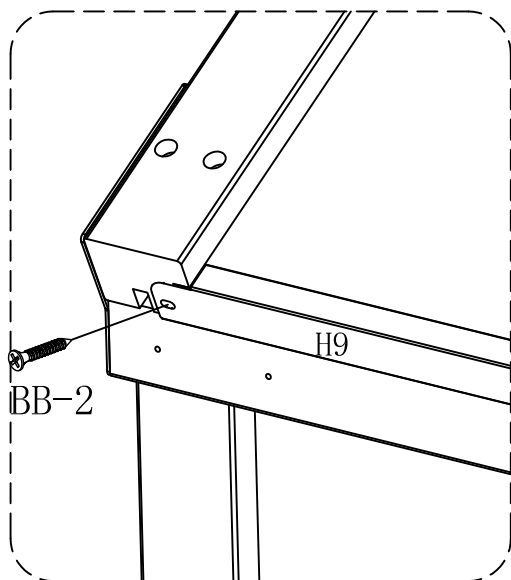


P7 2X

# STEP. 50



Connect the Part (H9) to the above polycarbonate board by Screw (BB-2).

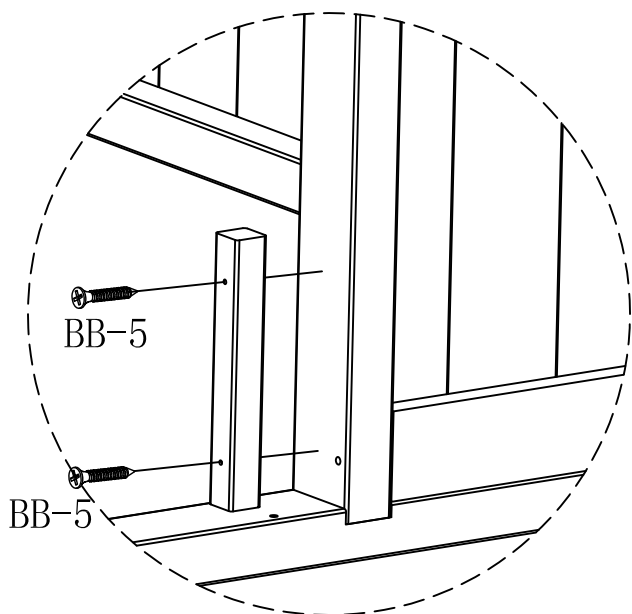
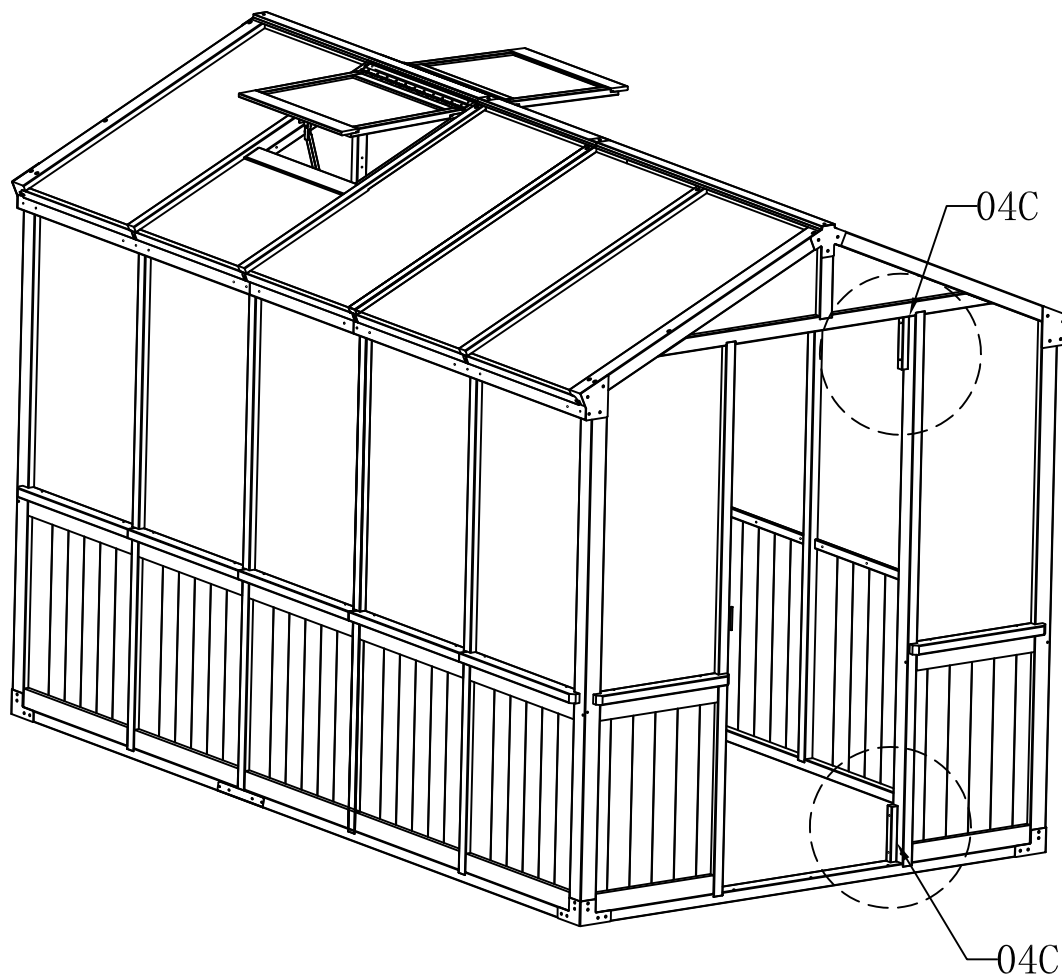


H9 10X

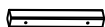


M4x25 BB-2 12X

# STEP. 51



Connect the Part (04C) to the door frame by Screw (BB-5).

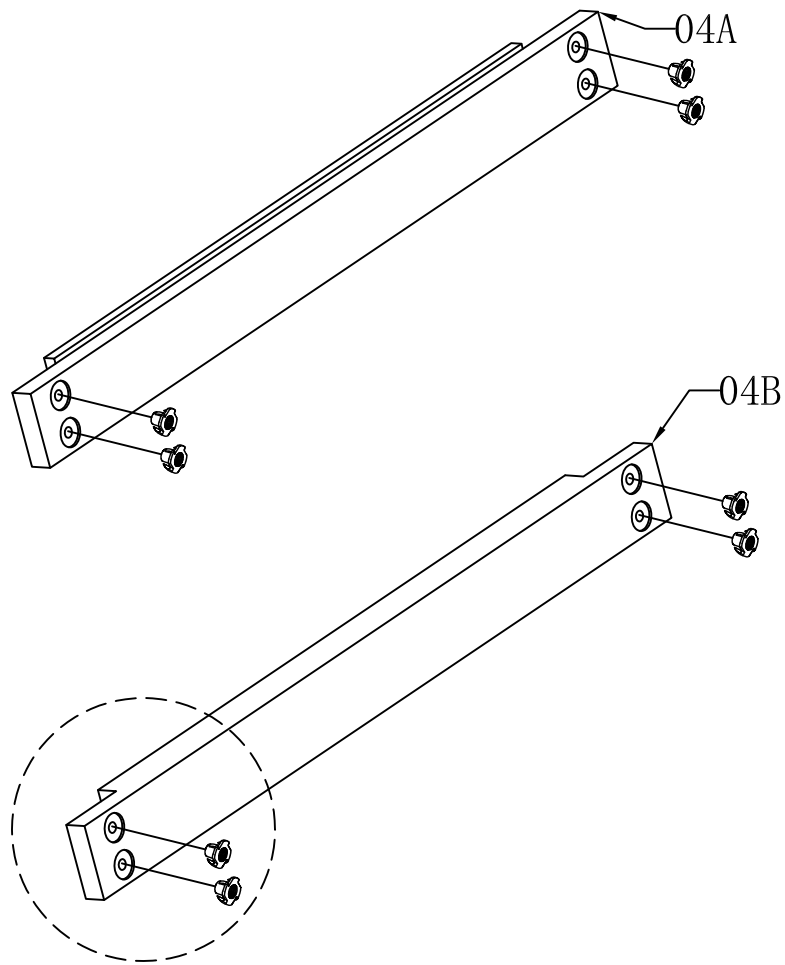


04C 2X



M4x50 BB-5 4X

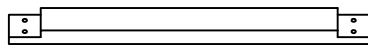
# STEP. 52



Place Screw (MM-1) to the Part (04A) and Part (04B).



04A 2X



04B 1X



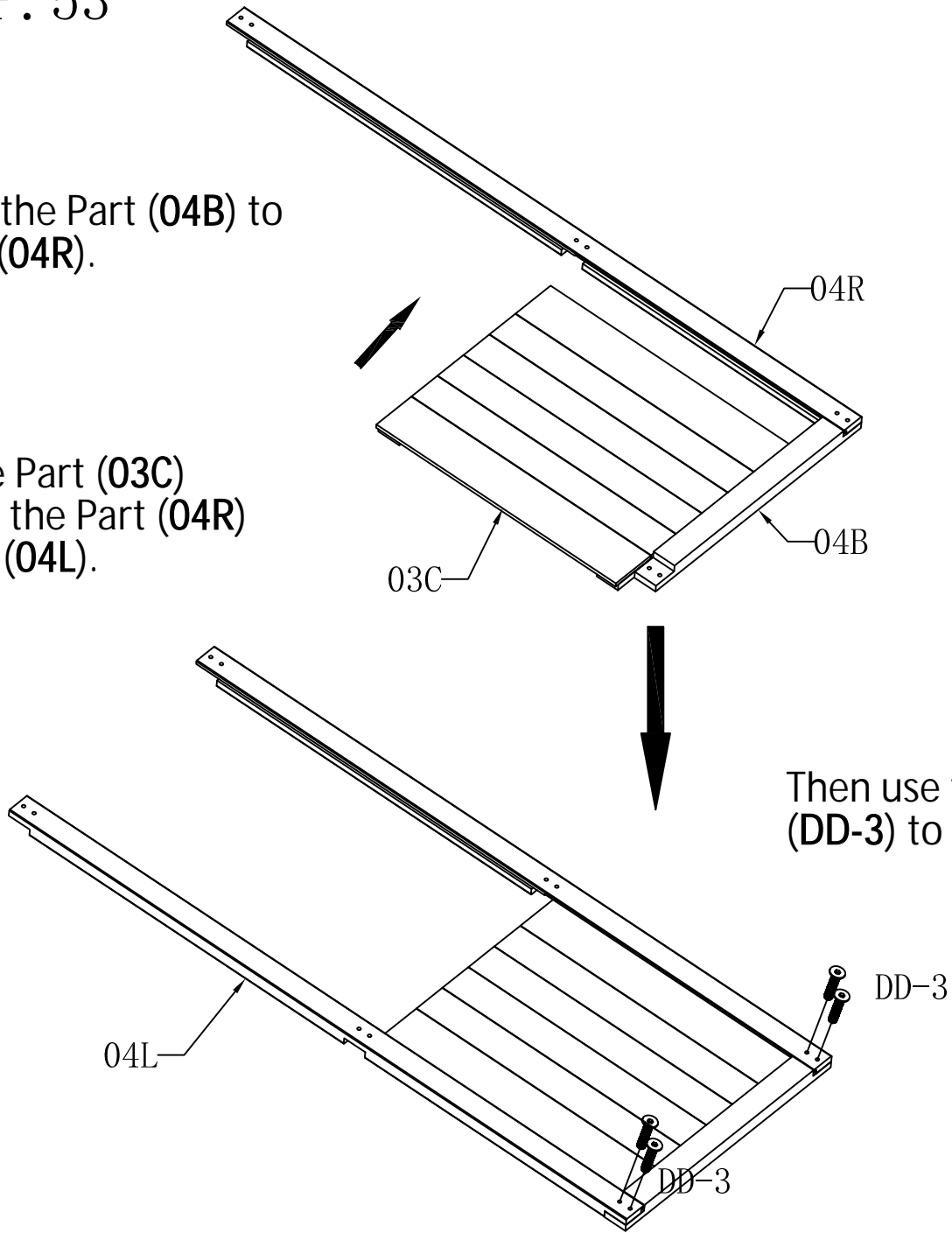
M6X10 MM-1 12X

# STEP. 53

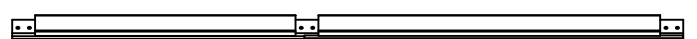
Connect the Part (04B) to the Part (04R).

Place the Part (03C) between the Part (04R) and Part (04L).

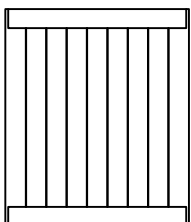
Then use the screw (DD-3) to fix.



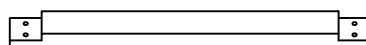
(04L) 1X



(04R) 1X



(03C) 1X



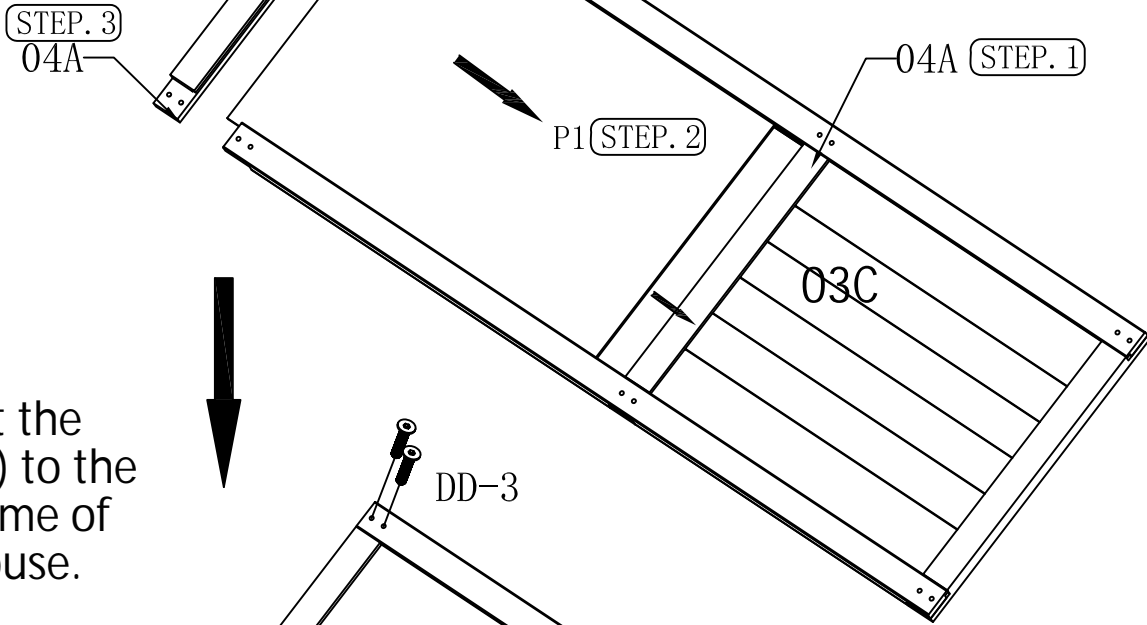
(04B) 1X



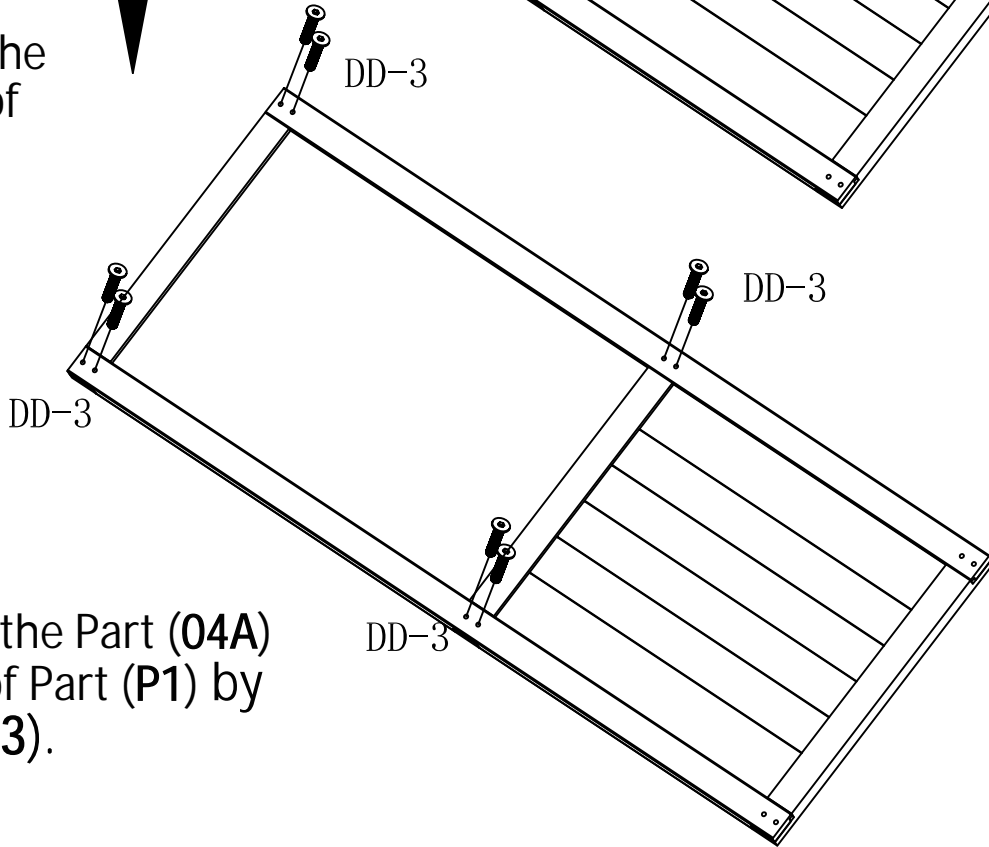
M6X35 (DD-3) 4X

# STEP. 54

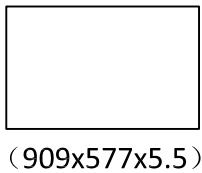
Connect the Part (04A) to the top of Part (03C) by Screw (DD-3).



② Insert the Part (P1) to the door frame of greenhouse.



③ Connect the Part (04A) to the top of Part (P1) by Screw (DD-3).



(P1) 1X



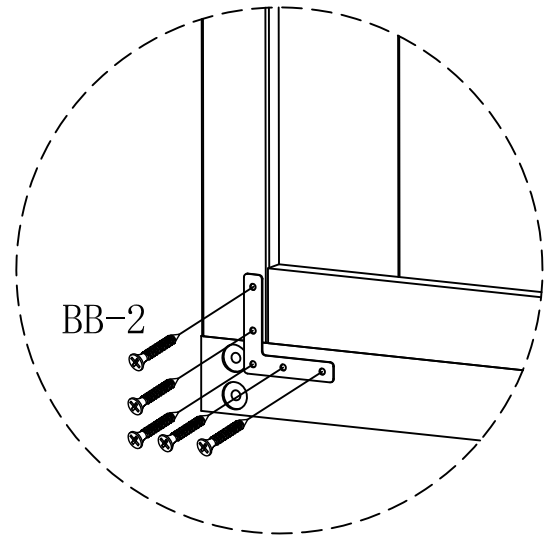
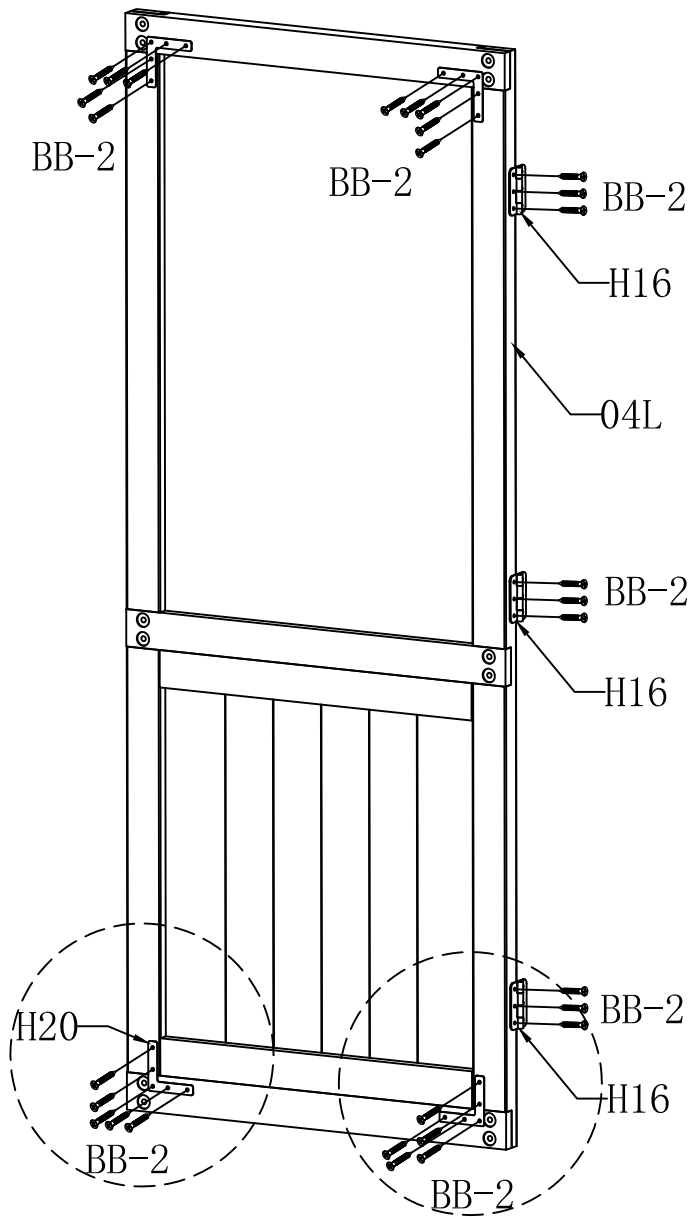
(04A) 2X



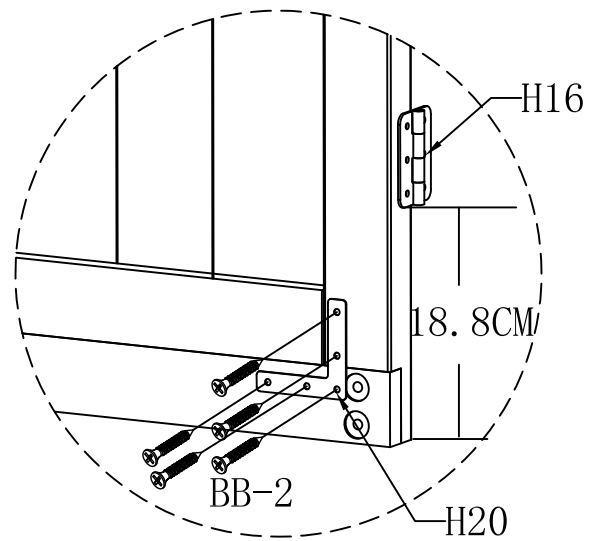
M6X35 (DD-3) 8X

# STEP. 55

① Connect the Part (H16) to the door frame by Screw (BB-2).



Connect the Part (H20) to the door frame by Screw (BB-2).



(H16) 3X

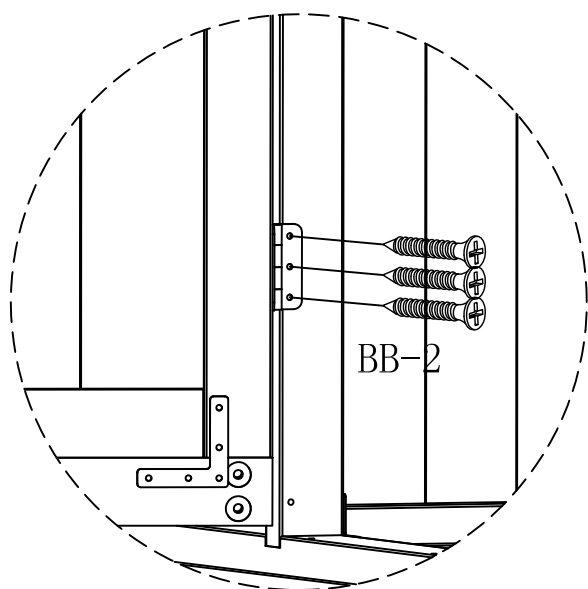
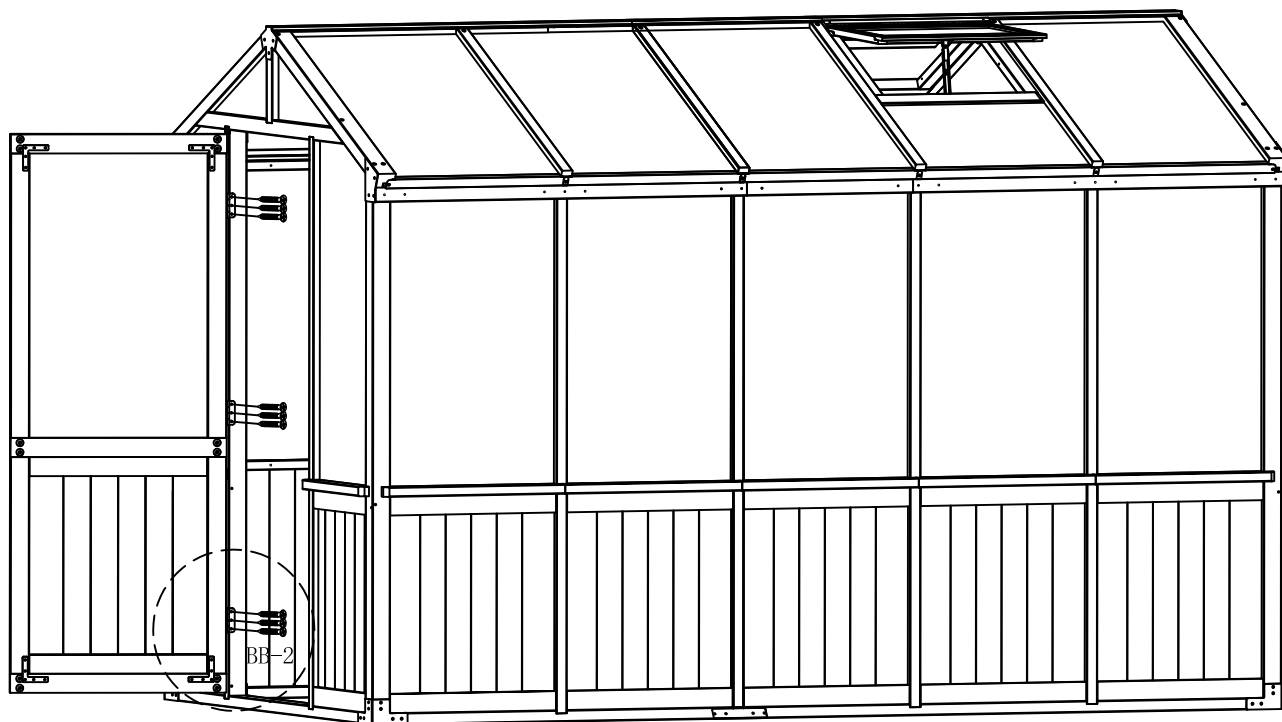


(H20) 4X



M4x25 (BB-2) 29X

# STEP. 56

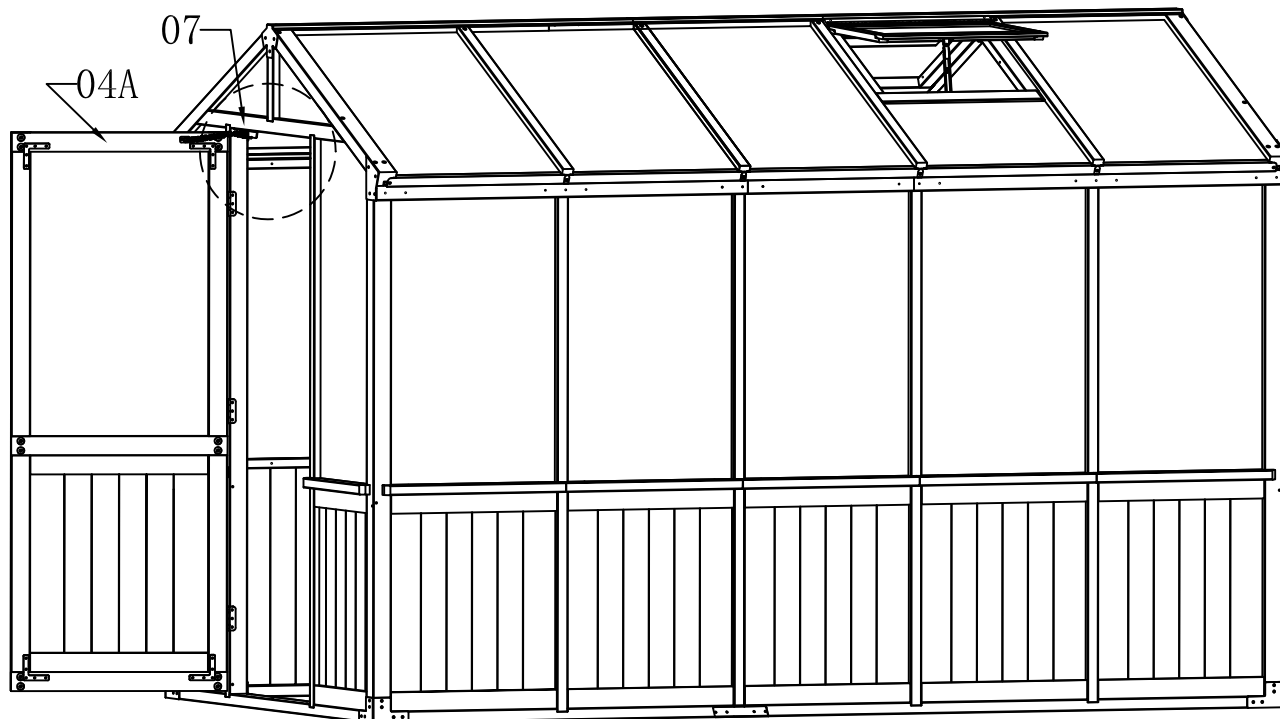


Connect the door to the whole greenhouse frame by Screw (**BB-2**).



M4x25 **BB-2** 9X

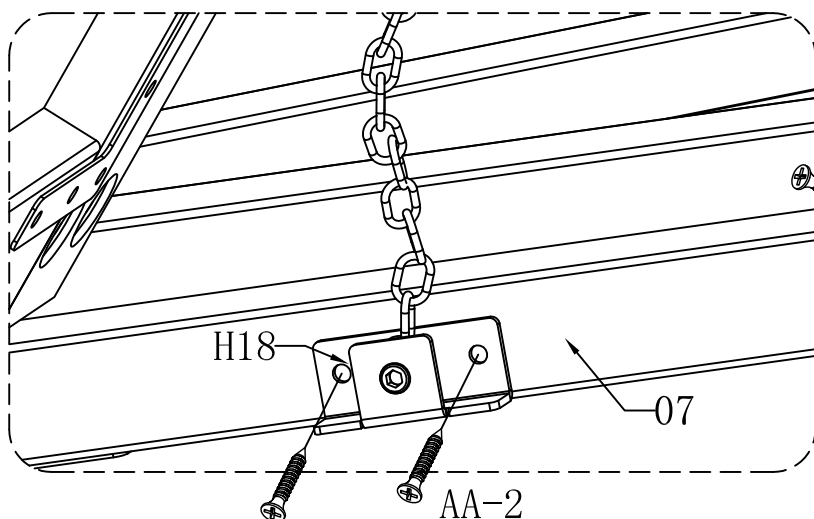
# STEP. 57



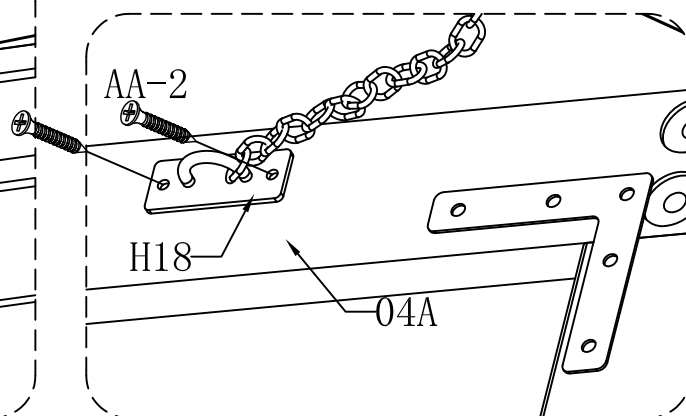
Connect one side of Part (H18) to Part (07) internal door's top by Screw (AA-2).

Connect another side of Part (H18) to Part (04A) of door beam by Screw (AA-2).

STEP. 1



STEP. 2

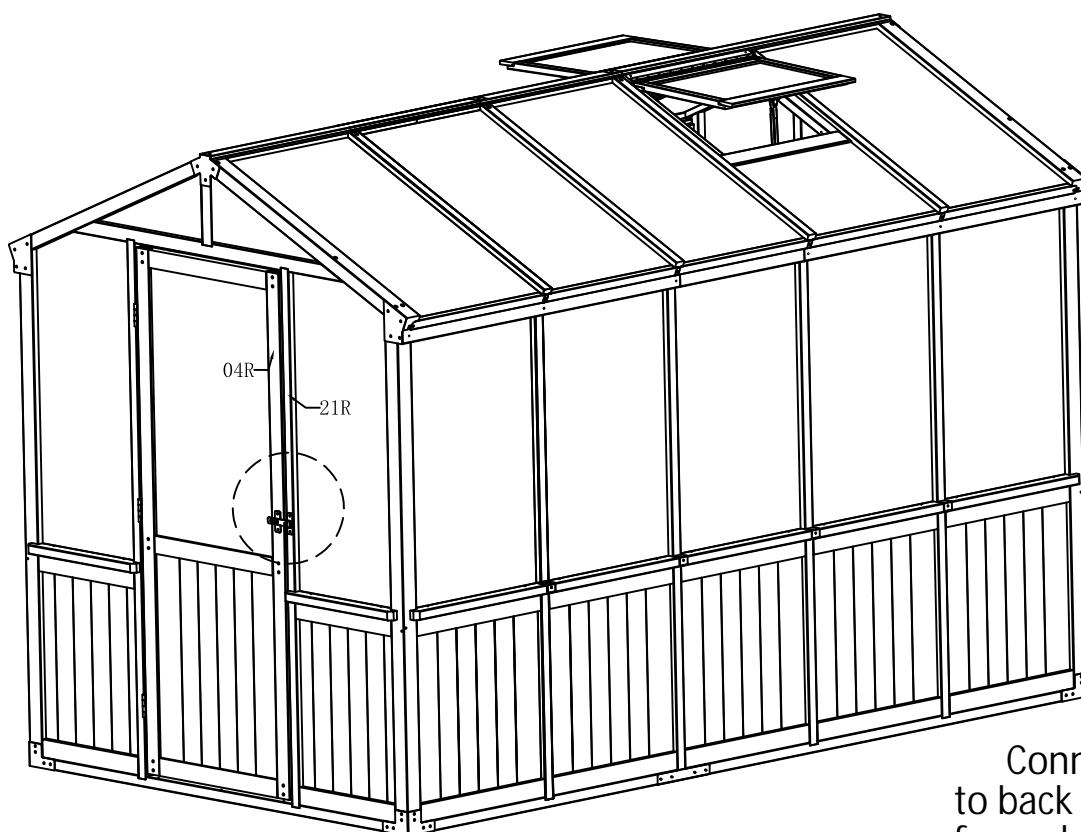


(H18) 1X



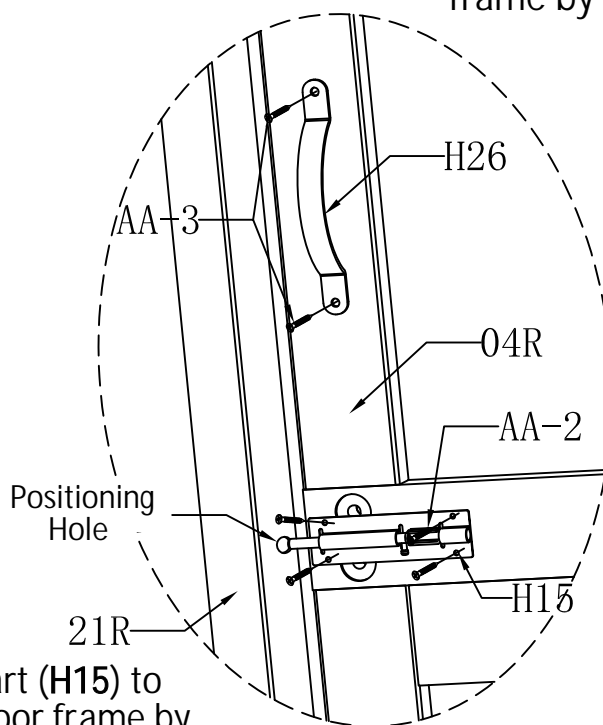
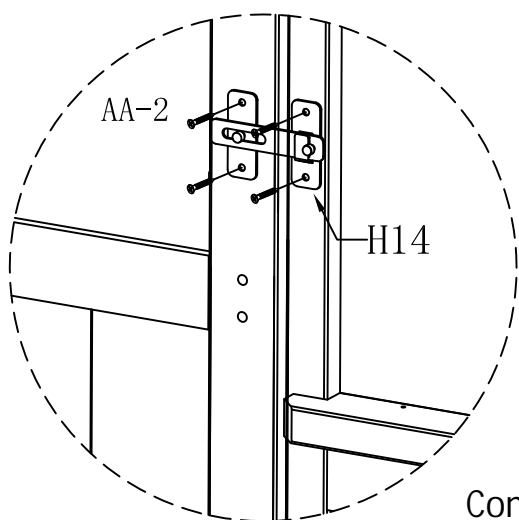
M3x20 (AA-2) 4X

# STEP. 58



Connect Part (H26) to back side of door frame by Screw (AA-3).

Connect Part (H14) to front side of door frame by Screw (AA-2).



Connect Part (H15) to back side of door frame by Screw (AA-2).



(H14) 1X



(H15) 1X



(H26) 1X

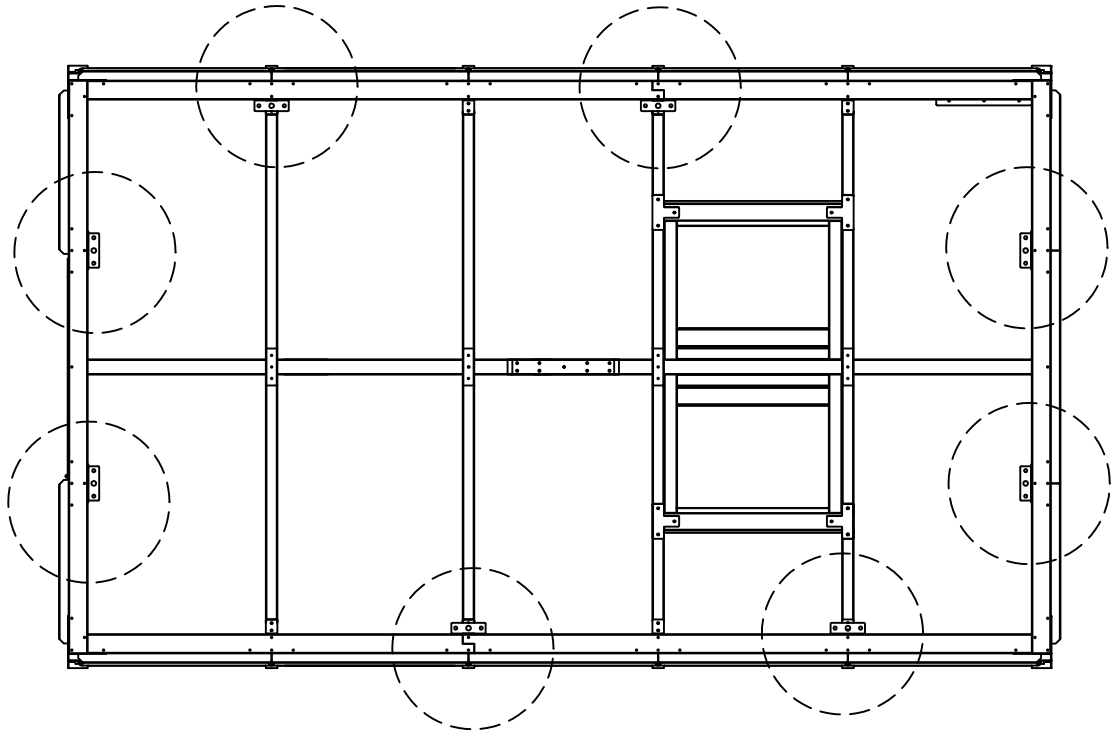


M3x20 (AA-2) 8X

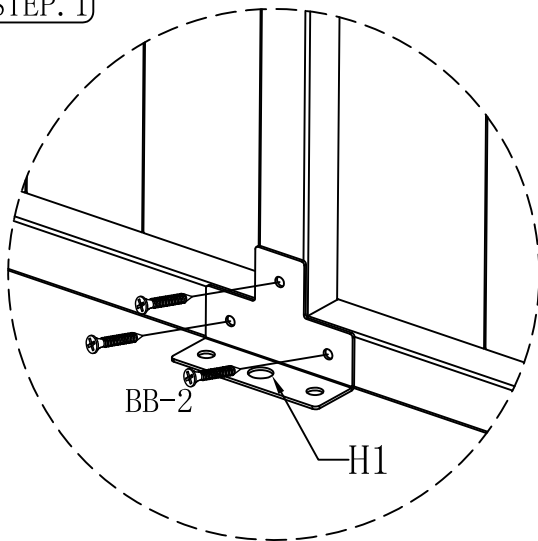


M3x18 (AA-3) 2X

# STEP. 59

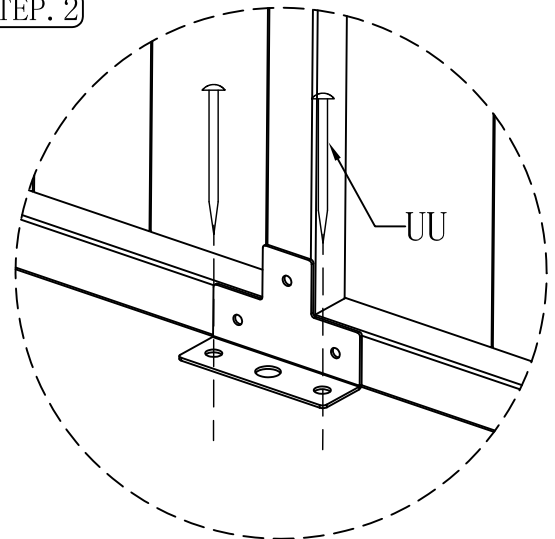


STEP. 1



Connect Part (H1) to the frame by Screw (BB-2).

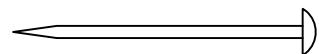
STEP. 2



\* If place the greenhouse on the grass lawn ground, please only use the Screw (UU) to fix. (If not, please see the next step).



(H1) 8X

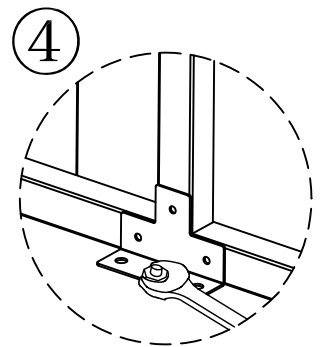
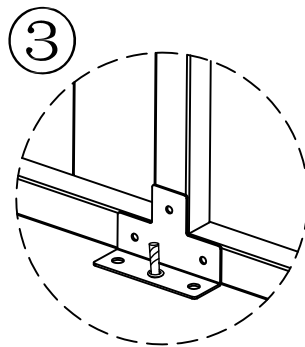
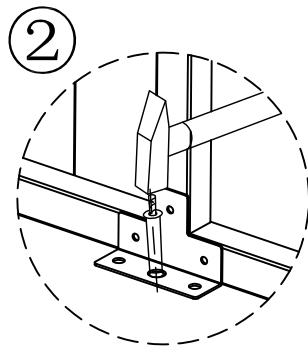
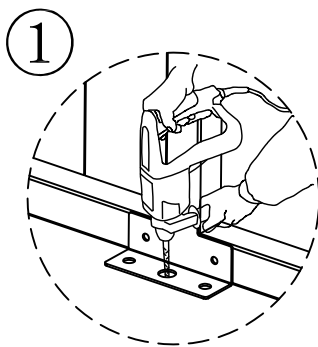
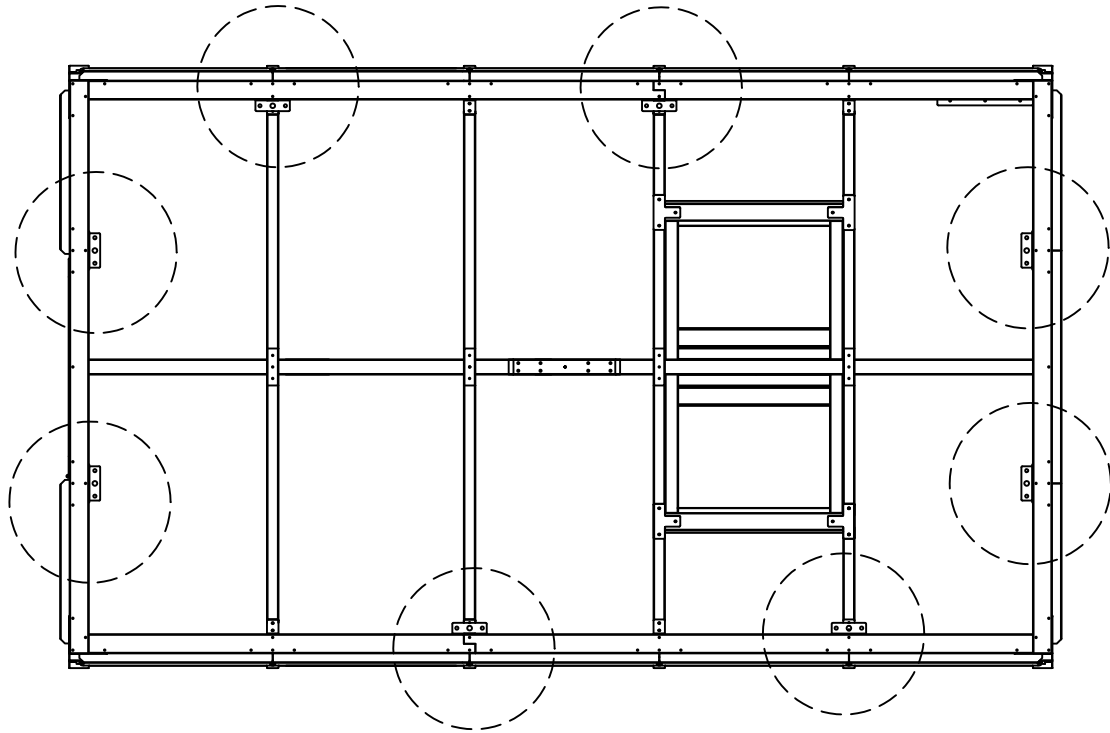


Φ 6x200 (UU) 16X

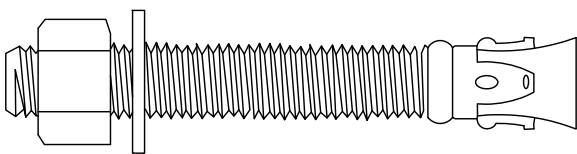


M4x25 (BB-2) 24X

# STEP. 60



\* If place the greenhouse on the concrete floors and decks, please only use the Screw (QQ) to fix.



M10×80mm

QQ

8X