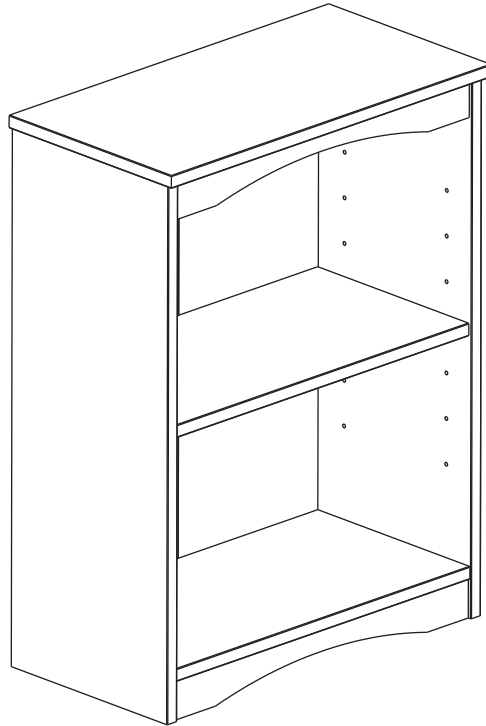
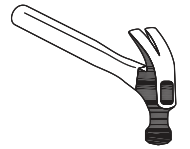
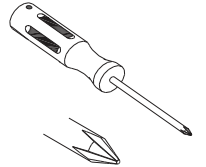
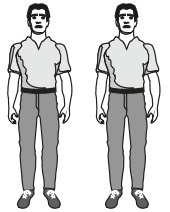


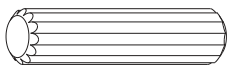
ASSEMBLY INSTRUCTIONS



00:30 Hs



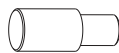
HARDWARE INCLUDED



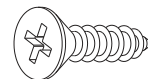
A - 8,0x25 Wood Dowel
Qty. 16



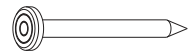
B - 4,0x30 Screw
Qty. 14



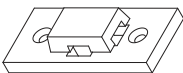
C - Shelf support
Qty. 04



D - 3,5x14 Screw
Qty. 02



E - 10x10 Nail
Qty. 24



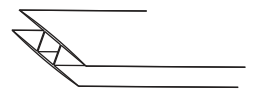
F - Plastic wall bracket
Qty. 02



G - Nylon strap 140mm
Qty. 01

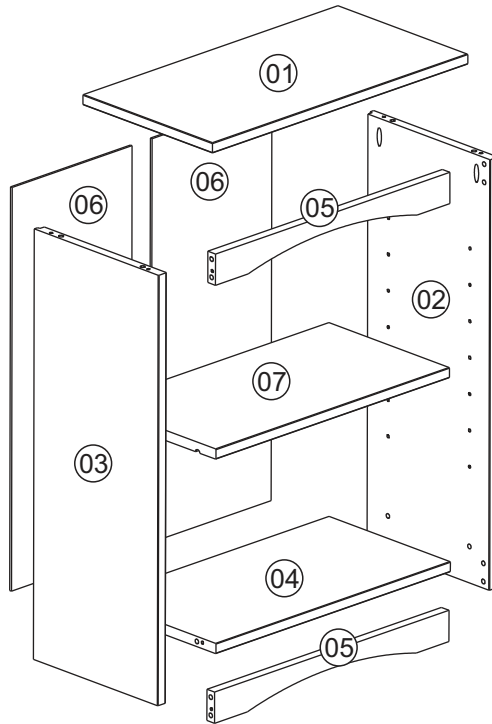


H - Plastic screw anchor 6mm
Qty. 02

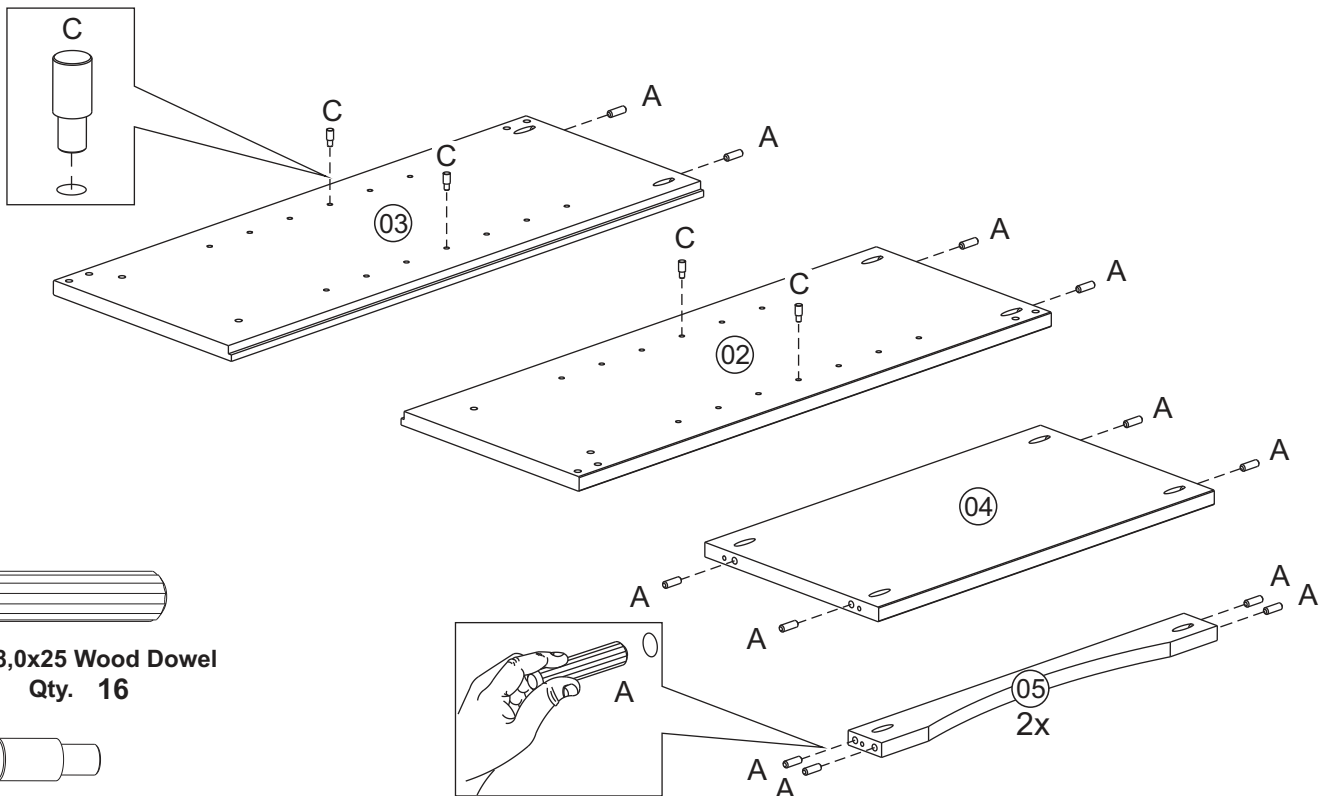


I - H Profile 683mm
Qty. 01

PARTS INCLUDED



STEP 1

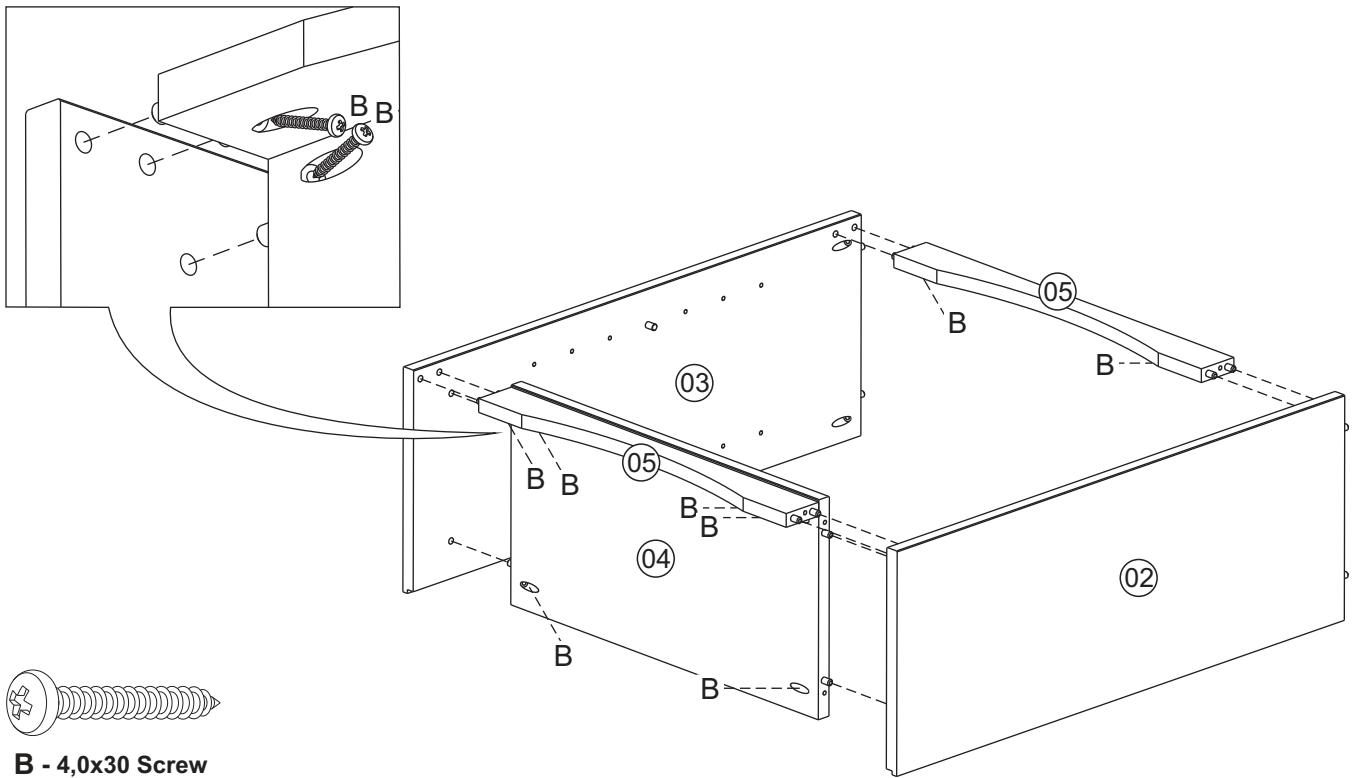


A - 8,0x25 Wood Dowel
Qty. 16



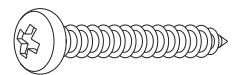
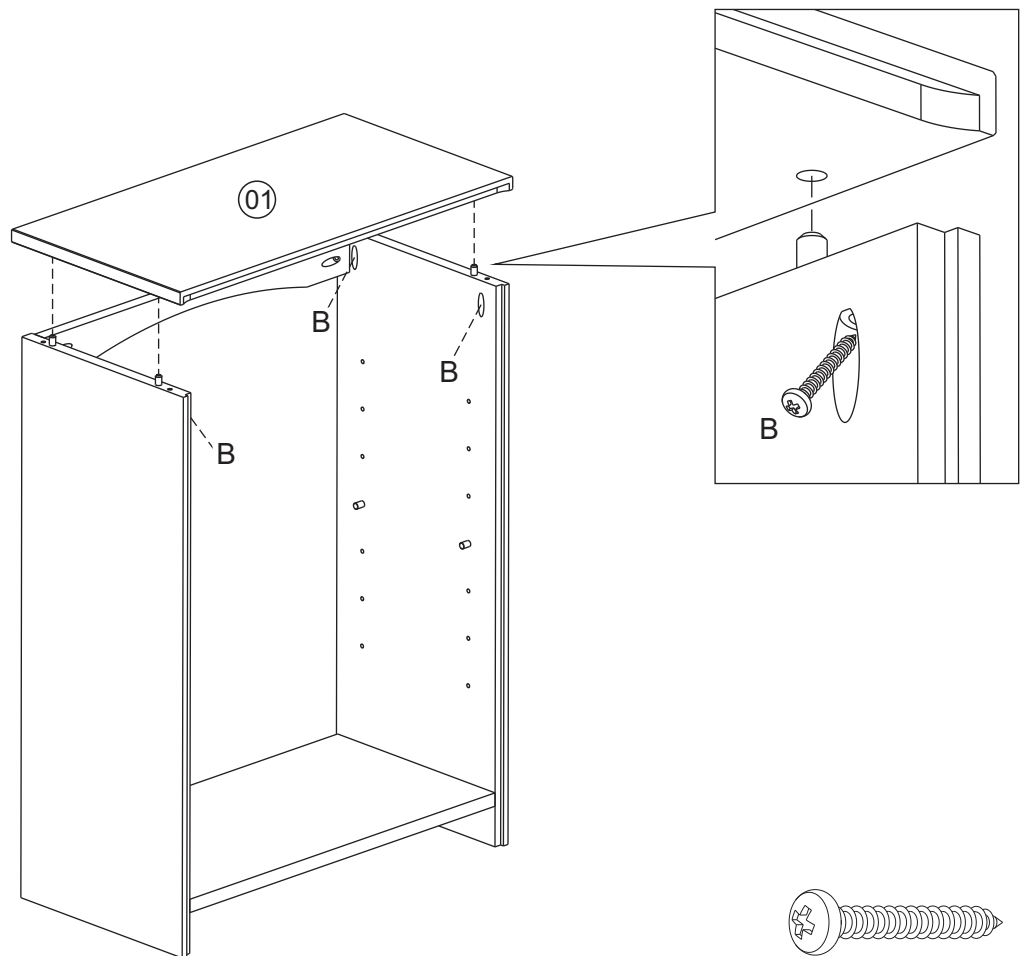
C - Shelf support
Qty. 04

STEP 2



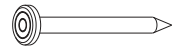
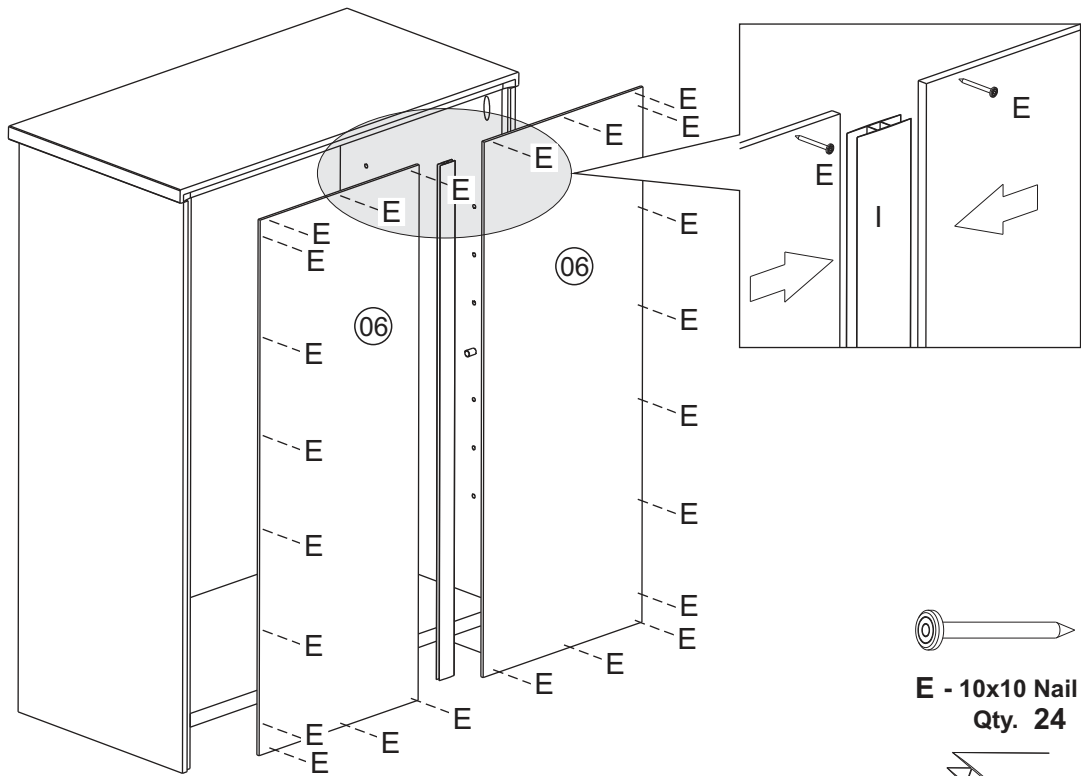
B - 4,0x30 Screw
Qty. 08

STEP 3

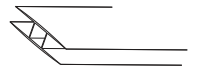


B - 4,0x30 Screw
Qty. 04

STEP 4

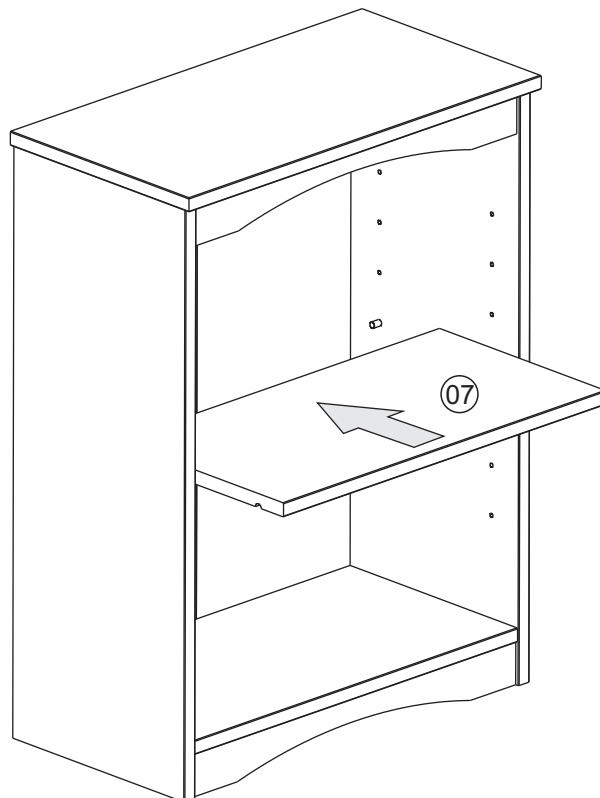


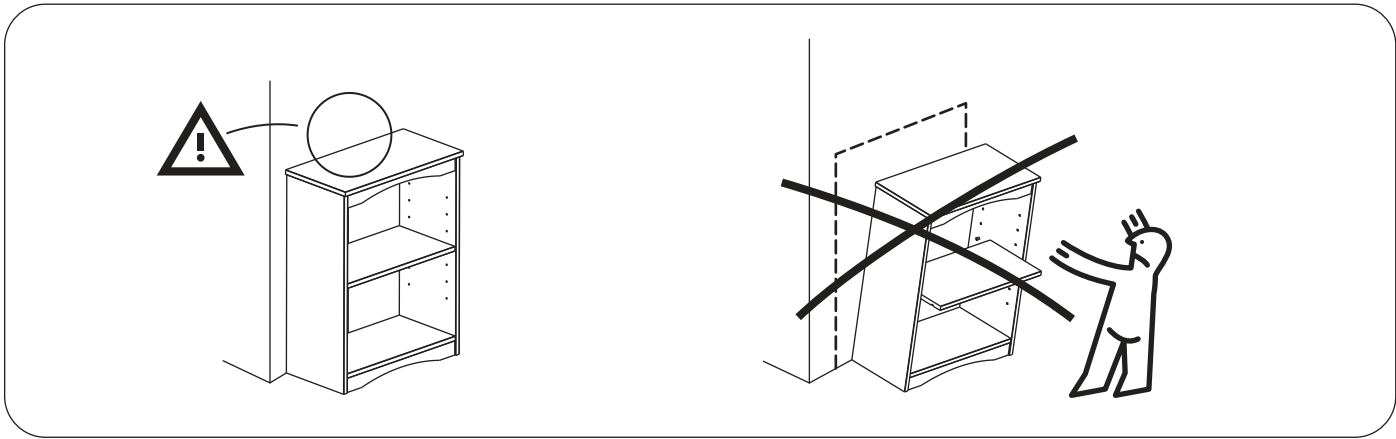
E - 10x10 Nail
Qty. 24



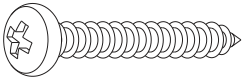
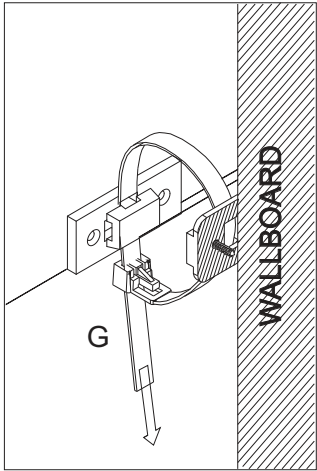
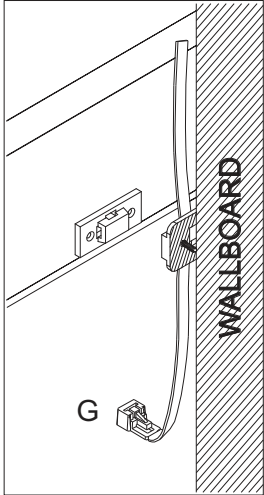
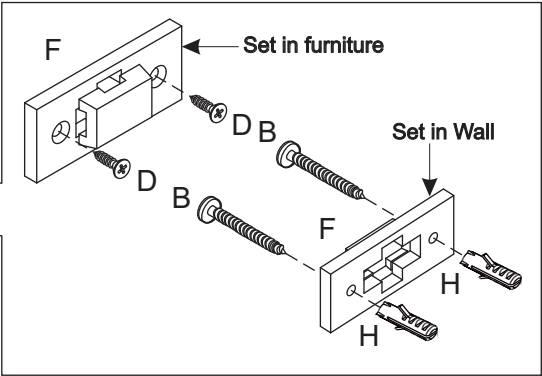
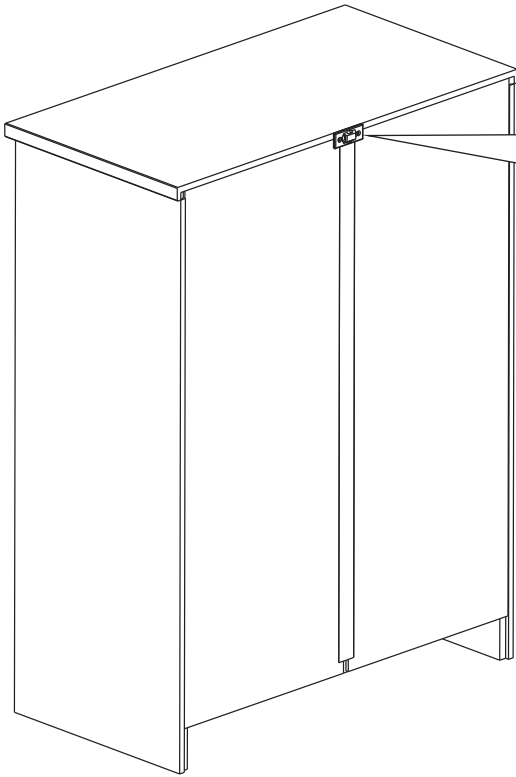
I - H Profile 683mm
Qty. 01

STEP 5

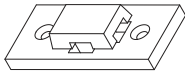




Anti-Tip Kit



B - 4,0x30 Screw
Qty. 02



F - Plastic wall bracket
Qty. 02



D - 3,5x14 Screw
Qty. 02



G - Nylon strap 140mm
Qty. 01



H - Plastic screw anchor 6mm
Qty. 02