

Zepto WSB6901F

Features

- Bathroom Sink
- Made of Ceramic
- Glossy White
- Without Overflow
- Wall Mount Installation
- With One Faucet Hole
- Designed by Carlo Urbinati
- Made in Italy



Related Items:

- WSBC 53995 | Push Waste Drain
- WSBC 53922 | Decorative Trap


Finishes:

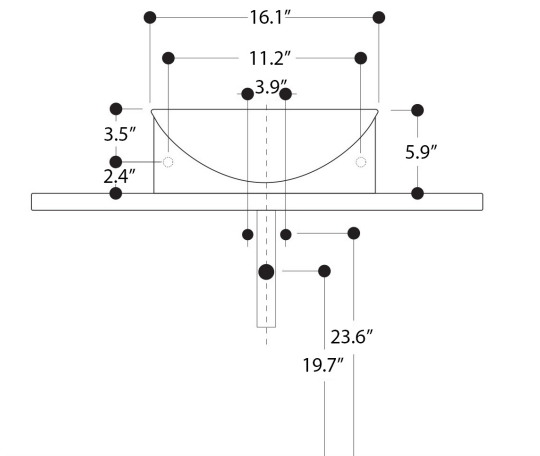
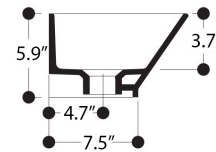
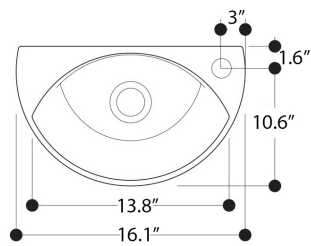
-  Glossy White

SKU# | Options:

- Zepto WSB6901F | Glossy White

* WS Bath Collections reserves the right to revise dimensions or information on this sheet without notice

| | | | |
|-----------------------------------|----------------------------------|---|---|
| Collection Whitestone | Model Zepto WSB6901F | Dimensions Metric <i>1 inch = 2.54 cm</i> <i>1 inch = 25.4 mm</i> |  1051 Lea Drive - Collegeville, PA 19426 Tel. 215 513 9400 - Fax 610 831 0215 www.ws bathcollections.com - info@ws bathcollections.com |
|-----------------------------------|----------------------------------|---|---|



Collection
Whitestone

Model |
Zepto WSB6901F

Dimensions Metric
1 inch = 2.54 cm
1 inch = 25.4 mm

WS®
BATH
COLLECTIONS

1051 Lea Drive - Collegeville, PA 19426
Tel. 215 513 9400 - Fax 610 831 0215
www.ws bathcollections.com - info@ws bathcollections.com

We recommend the following items that work with your sink.

Zepto WSB6901F

TRAPS



WSBC 53922
Our best seller

Polished Chrome
WSBC 53922.29

Matte Black
WSBC 53922.22



WSBC 5392

Polished Chrome
WSBC 5392.29



WSBC 53925

Polished Chrome
WSBC 53925.29



WSBC 53921
Space saving

Polished Chrome
WSBC 53921.29

Matte Black
WSBC 53921.22

DRAINS



WSBC 53995
Push waste drain (click clack)
without overflow

Polished Chrome
WSBC 53995.29

Matte Black
WSBC 53995.22

MOUNTING HARDWARE

Wall-mount installation

Vessel/ countertop installation



Bolts



Silicone (optional)

Collection
Whitestone

Model |
Zepto WSB6901F

Dimensions Metric
1 inch = 2.54 cm
1 inch = 25.4 mm

WS®
BATH
COLLECTIONS

1051 Lea Drive - Collegeville, PA 19426
Tel. 215 513 9400 - Fax 610 831 0215

www.ws bathcollections.com - info@ws bathcollections.com