

Installation & Assembly



Ⓐ X1



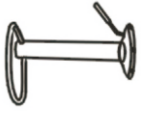
Ⓑ X1



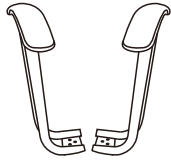
Ⓒ X1



Ⓓ X1



Ⓔ X1

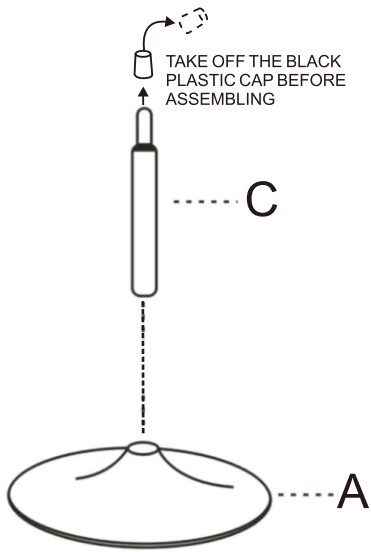


Ⓕ X1

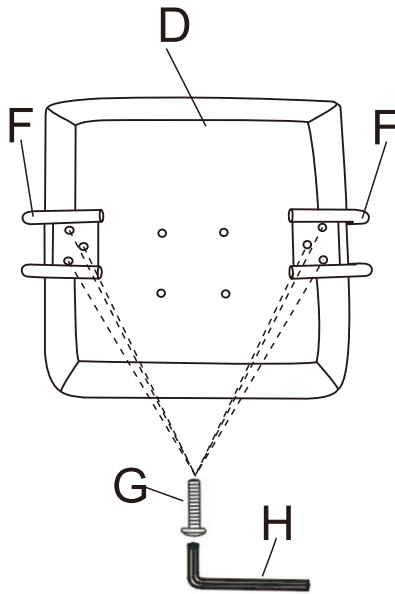


Ⓖ X10

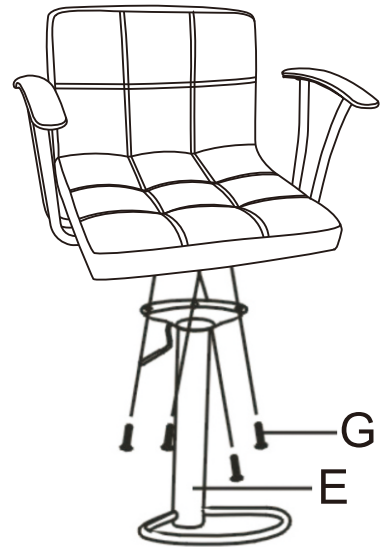
1



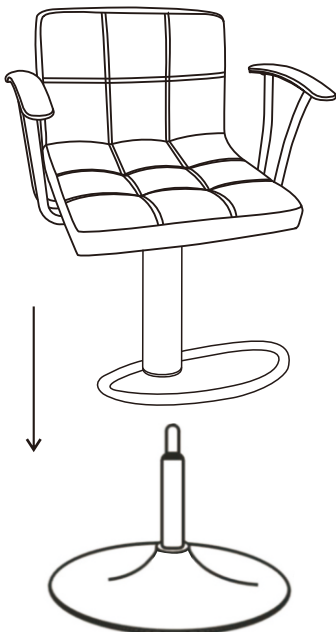
2



3



4



5

