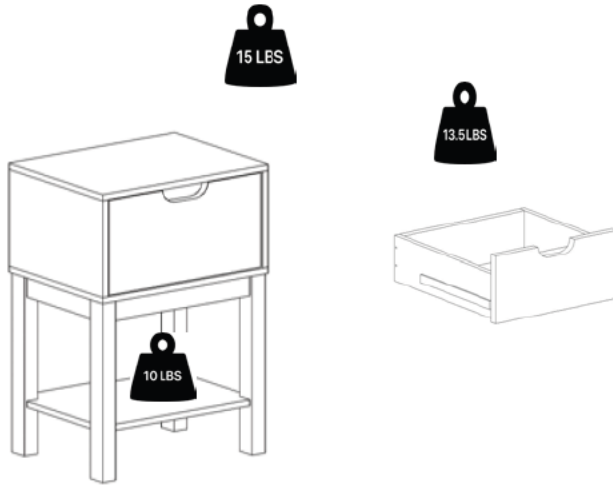
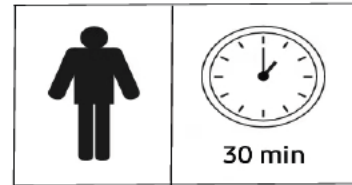


Thank you for your purchase!



Single Drawer Nightstand



ASSEMBLY INSTRUCTIONS

Before You Begin: (Phillips screwdriver required, not included)

Please identify all component parts and hardware pieces required before you begin. Carefully remove all of the components from the packaging and set aside for assembly. Assemble on a soft surface to prevent scratching during assembly.

Caution:

Tighten all components securely before use. Failure to do so may result in personal injury.

DO NOT use any sharp objects to open plastic wrapped components as damage to product or components may result.

Warning:

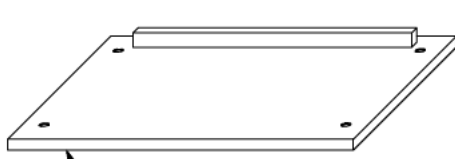
CHOKING HAZARD - Small Parts. Adult Assembly Required.

DO NOT ALLOW CHILDREN TO CLIMB ON FURNITURE

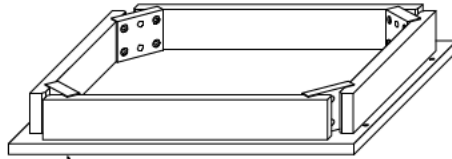
Serious or fatal injuries can occur from furniture tipping over. You must install Tipping Restraint Hardware (where included) to help prevent the unit from tipping and causing accidental injury, instability, death or damage. The tipping restraint is intended only as a safety measure, it is not a substitute for proper adult supervision.

To help prevent furniture from tipping over it must be permanently attached to the wall. Anti-Tip Safety Wall Straps suitable for the unit weight and wall materials (if not included) should be purchased and installed.

Parts List



A Top Panel x 1



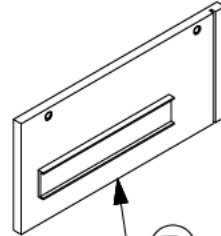
B Bottom Panel x 1



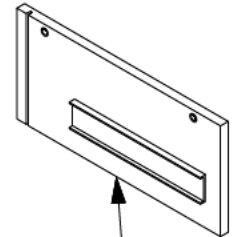
C Back Panel x 1



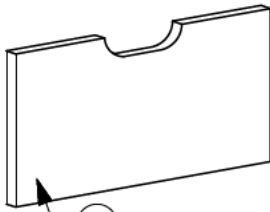
D Legs x 4



E Left Side Panel
x 1



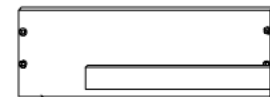
F Right Side Panel
x 1



G Drawer Front x 1



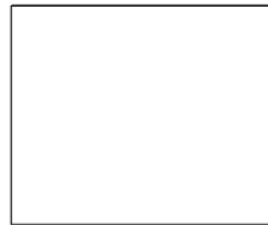
H Drawer Back x 1



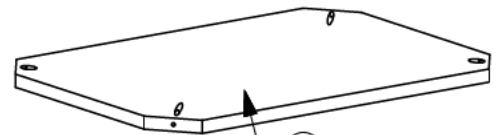
J Left Drawer Side
x 1



K Right Drawer Side
x 1



L Drawer
Bottom x 1



M Shelf Panel x 1

Hardware List



1 M6 x
15mm JCB
x 8



2 M6 x
60mm JCB
x 8



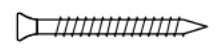
3 M4 x 25mm
Wood Screw
x 8



4 M4 x 20mm
Wood Screw
x 4



5 M4 x 16mm
Wood Screw
x 4



6 CSK Cap
Wood Screw
(M6 x 60mm) x 4



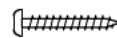
7 Spring
Washer
x 8



8 Flat
Washer
x 8



9 'L' Bracket
(5005-3)
x 4

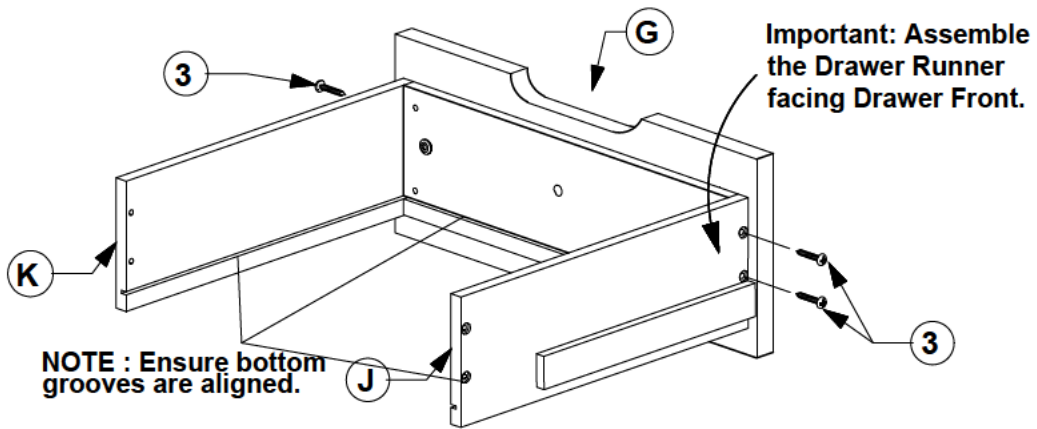


10 M4 x 32mm
Wood Screw
x 4

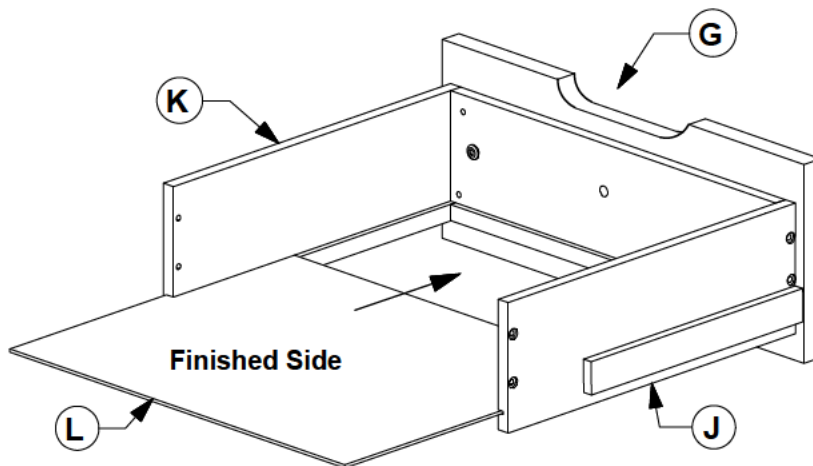


11 Allen Key
x 1

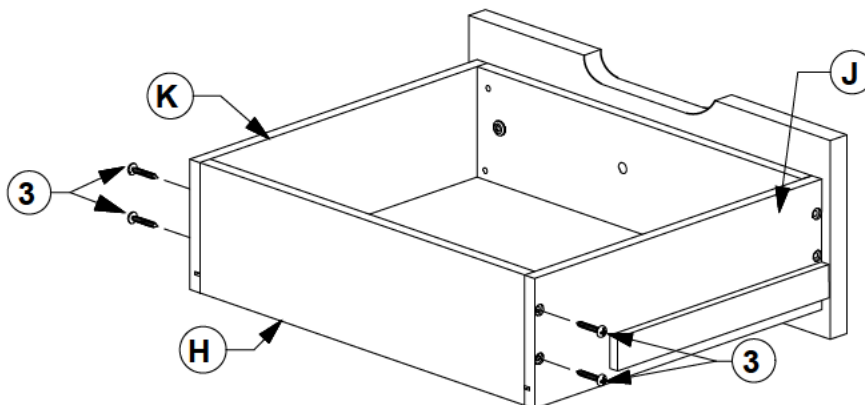
1 Assemble the Drawer Sides (J & K) to the Drawer Front (G).



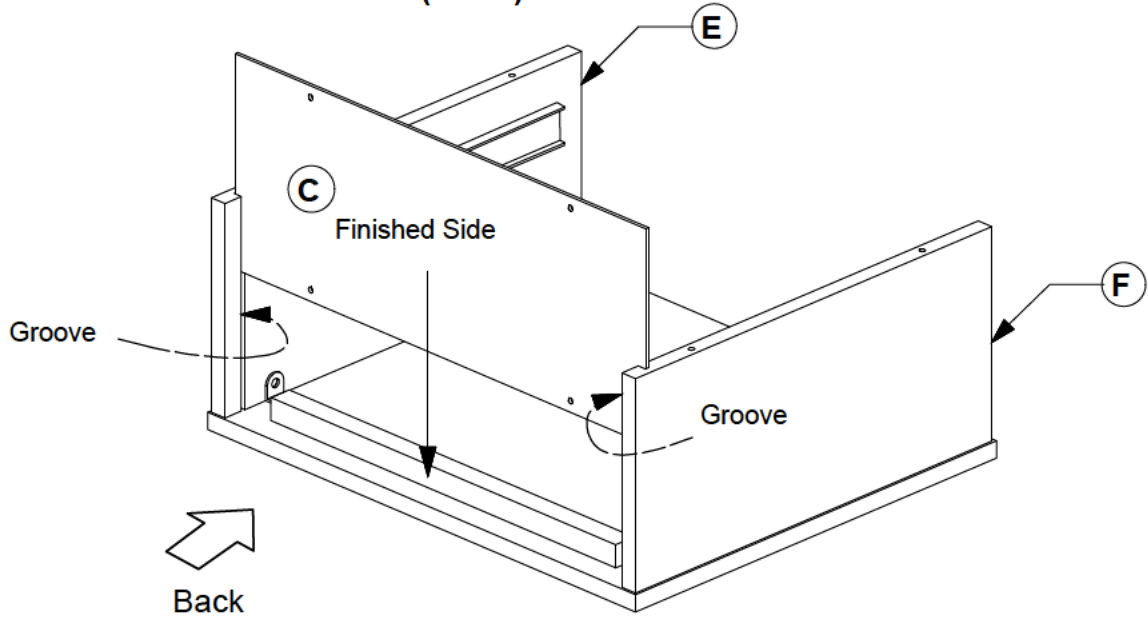
2 Slide the Drawer Bottom (L) into the groove on the Drawer Sides (J & K).



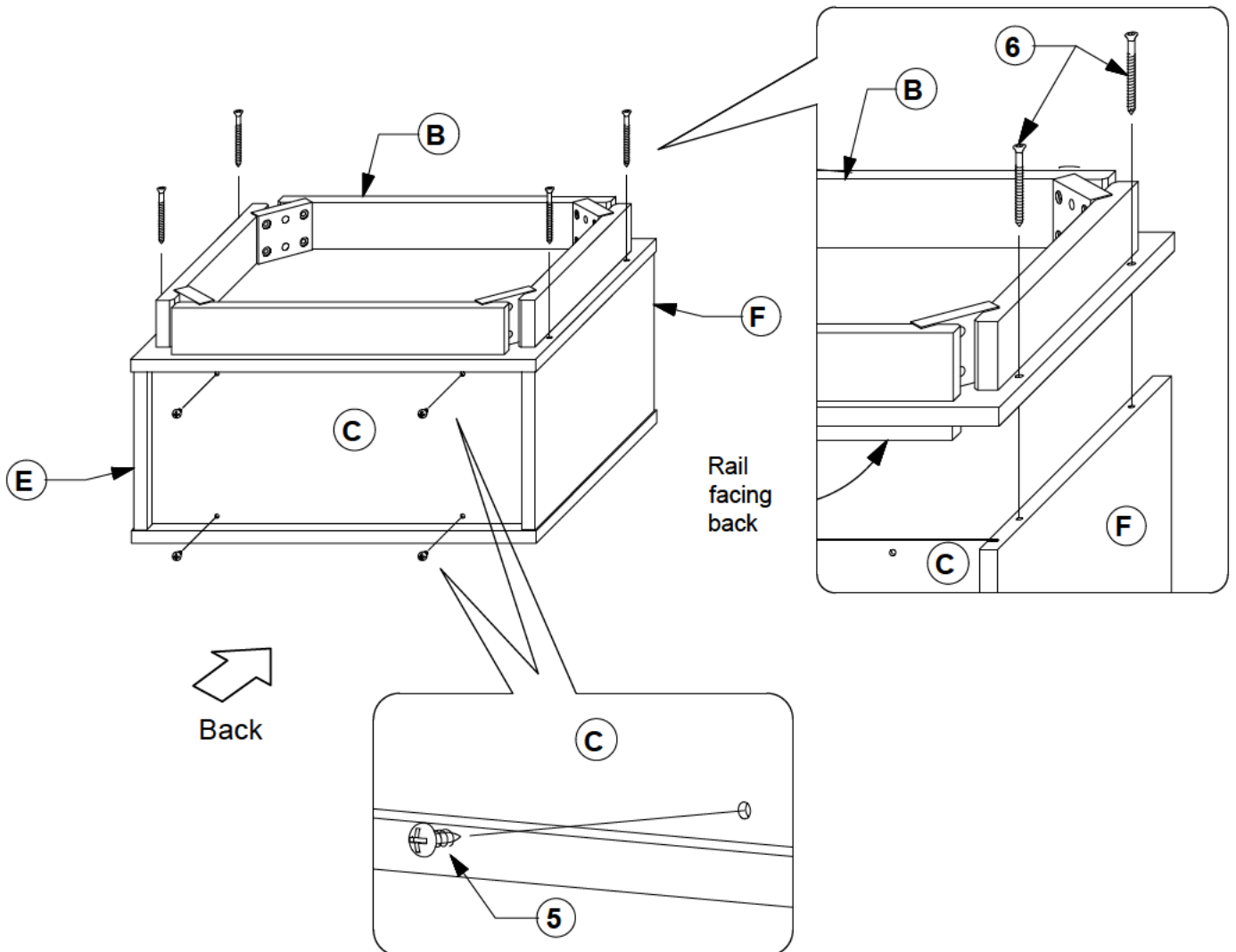
3 Attach the Drawer Back (H) to the Drawer Sides (J & K).



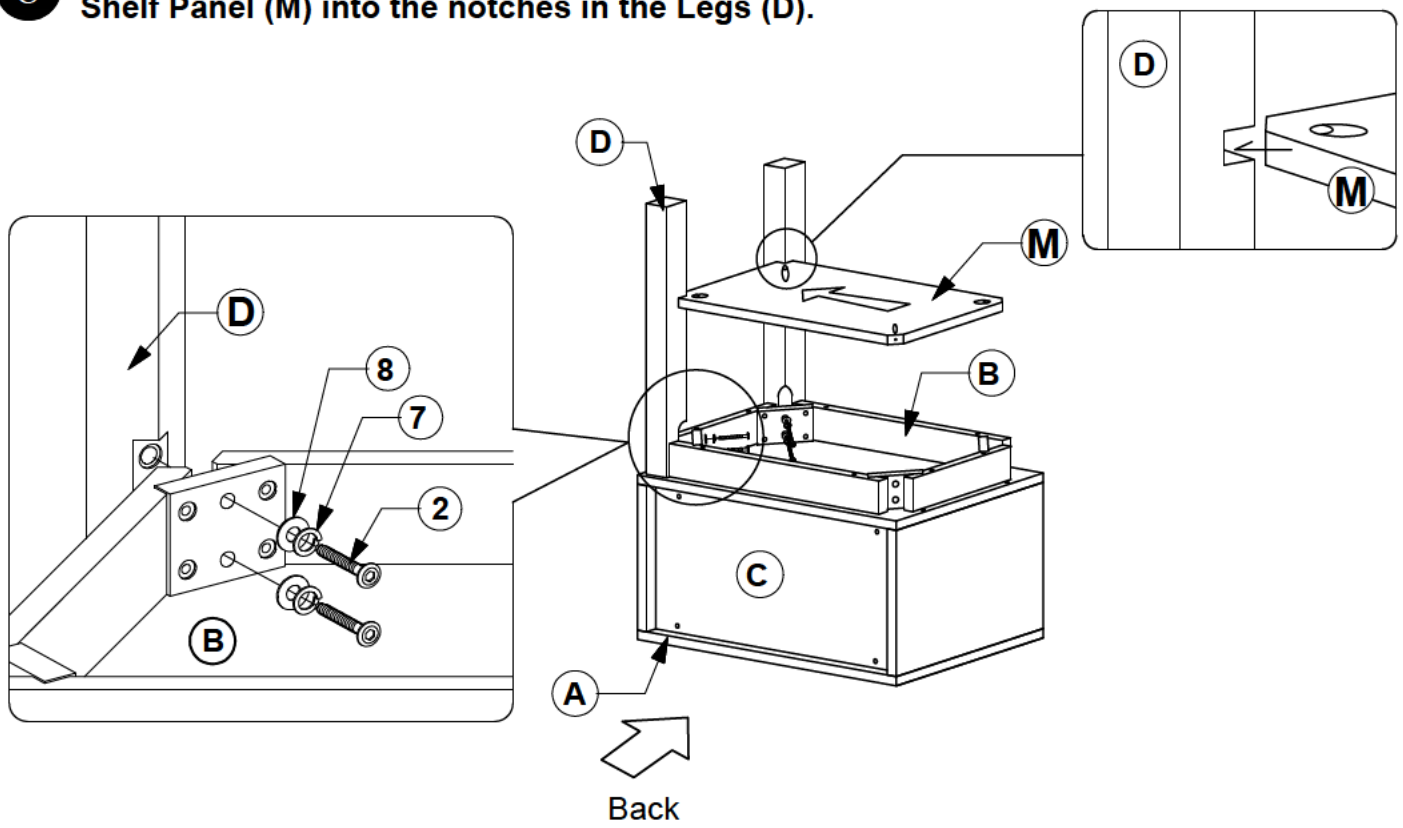
- 6** Slide the Back Panel (C) into the groove on the back of the Side Panel (E & F).



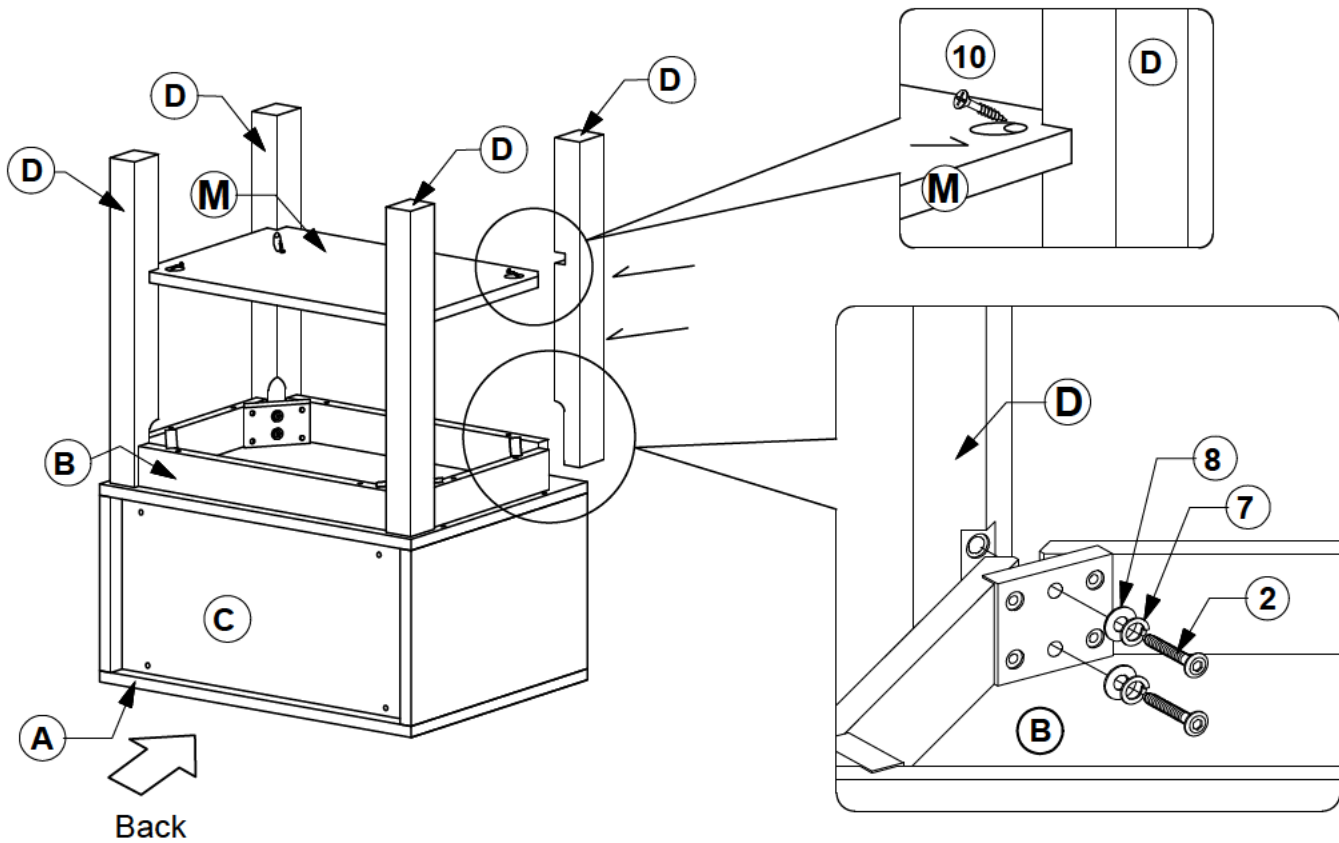
- 7** Attach the Bottom Panel (B) to the bottom of the Side Panels (E & F). Use screws to tighten the Back Panel (C) to the back of the frame.



- 8** Attach 2 Legs (D) to the Bottom Panel (B) then insert Shelf Panel (M) into the notches in the Legs (D).

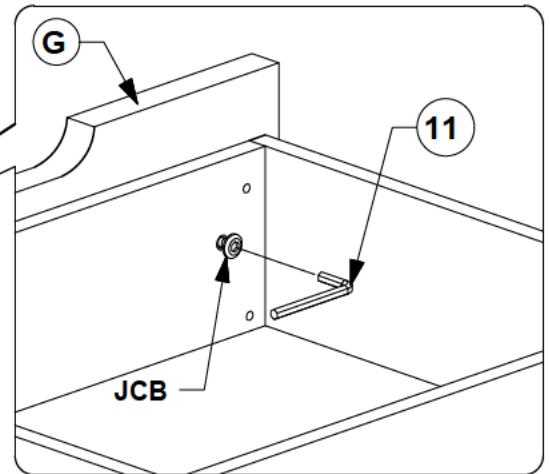
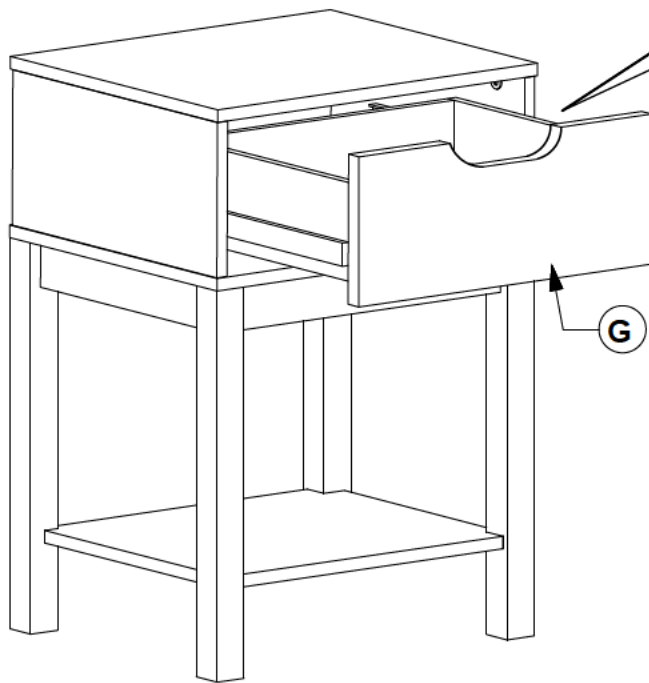


- 9** Insert Shelf Panel M into the other 2 Legs (D) then attach the legs to the Bottom Panel (B). Use wood screw (10) to secure the Bottom Shelf to all 4 legs.

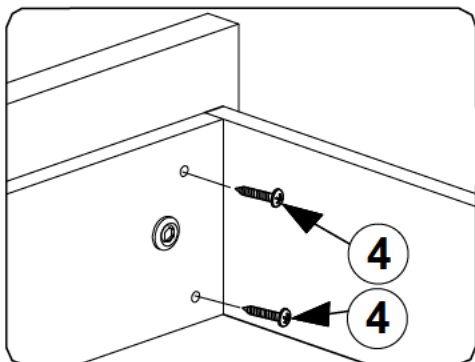
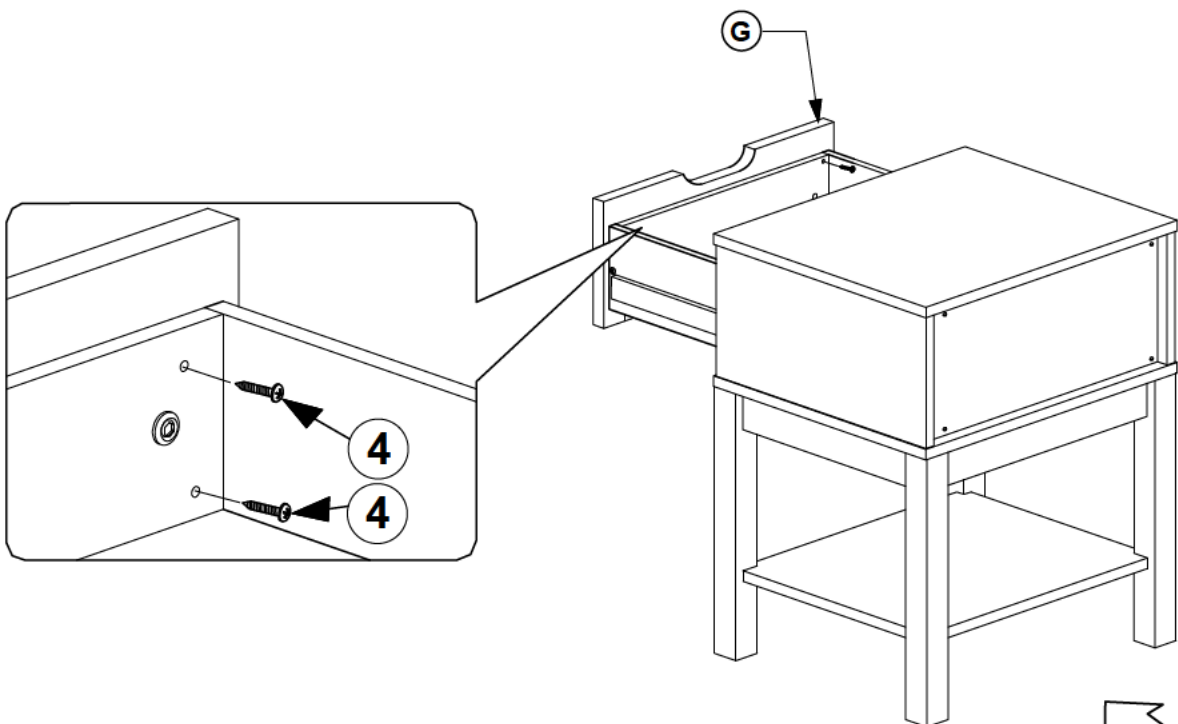


10 Adjust the Drawer Front (G).

* Loosen screws on the inside of the Drawer Front to align



11 Once the drawer front is aligned, secure with wood screws.



Back