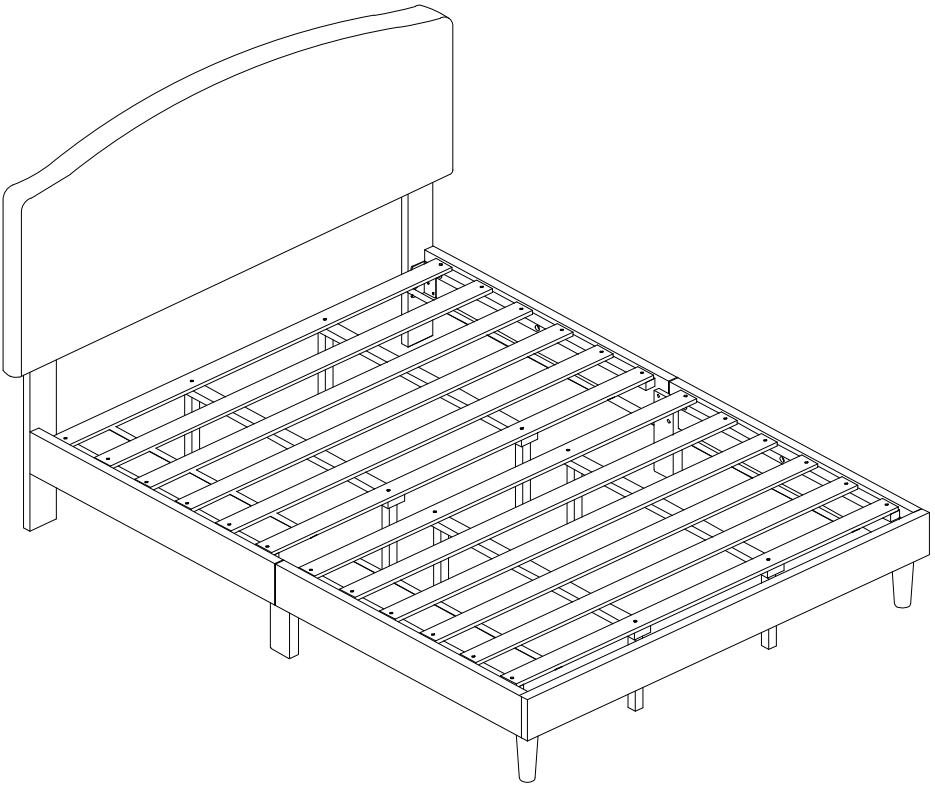


OWNER MANUAL



NOTE:

This brochure contains IMPORTANT safety info. Please read and keep for future reference.

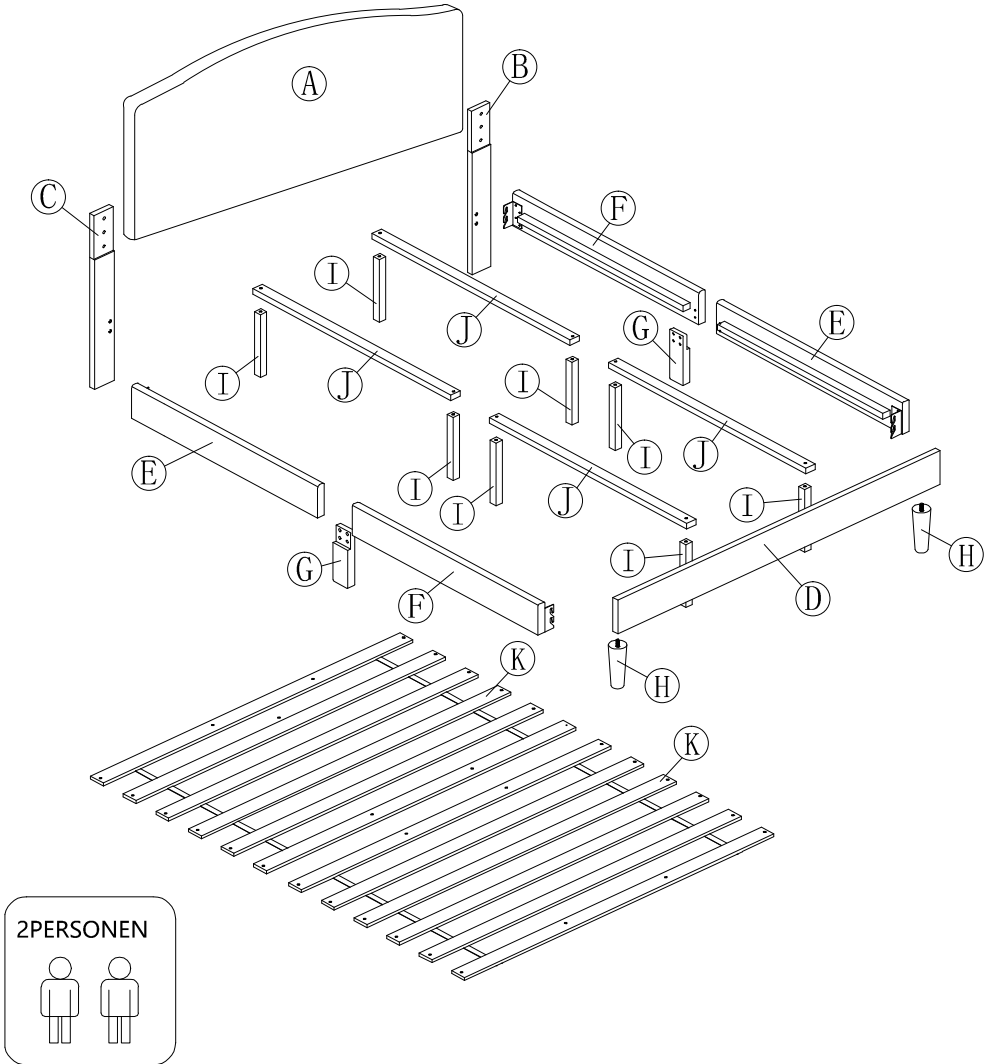
MAINTENANCE AND WARNING

- 1.Keep furniture away from heat sources.
- 2.Do not clean furniture with harsh cleaner or polishes.Do not use detergents,solvents,abrasives,spray packs or leather cleaner. Use non-color mild soa with warm water to clean spills(Mix 1:10 soap to water).
- 3.Do not place furniture under direct sunlight,material will possibly fade over time.
- 4.Do not use on site dry cleaning machine.Children should not climb or jump on the furniture.
- 5.Do not write on furniture that is not protectedby a padded barrier.
- 6.Not for commercial use,only for residential use.

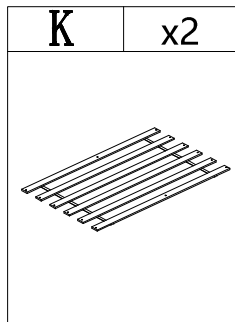
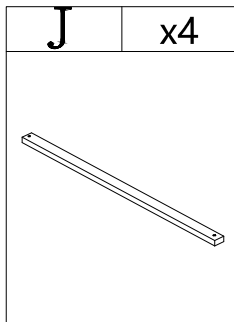
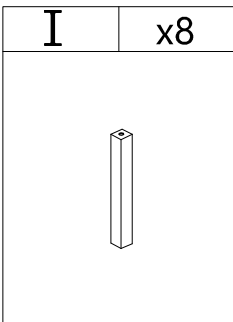
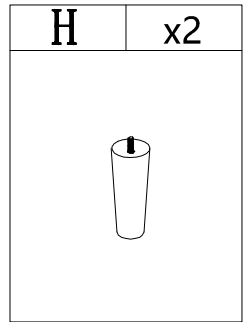
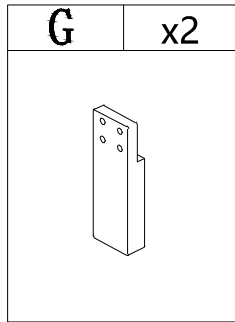
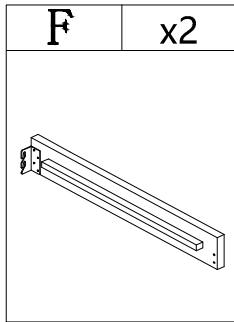
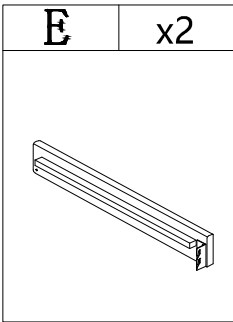
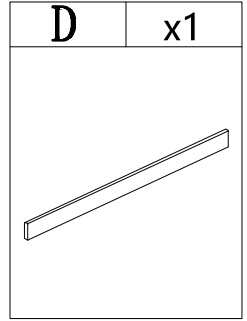
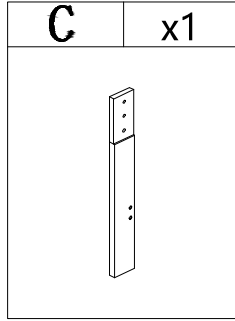
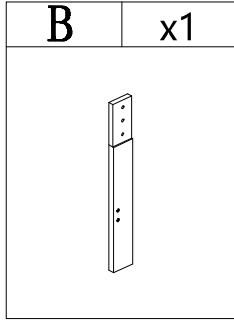
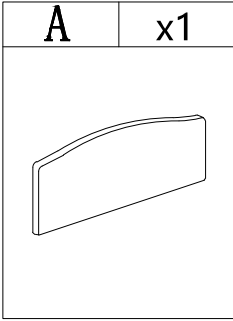


EXPLOSIVE VIEW



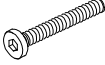





REMINDER : Fabric slip cover is removable



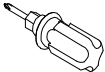
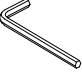
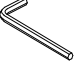
PARTS LIST





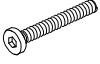





HARDWARE LIST

#1	x8	#2	x6	#3	x8	#4	x14	#5	x14	#6	x24
											
JCBC M8 X 25MM		JCBC M6 X 40MM		JCBC M6 X 60MM		SPRING WASHER M6 X 12MM		FLAT WASHER M6 X 19MM		SCREW M4 X 32MM	
#7	x8	#8	x16								
											
JCBC M8 X 30MM		FLAT WASHER M8 X 19MM									

TOOL LIST

#9	x1	#10	x1	
				
ALLEN WRENCH M5		ALLEN WRENCH M4		Provide for oneself

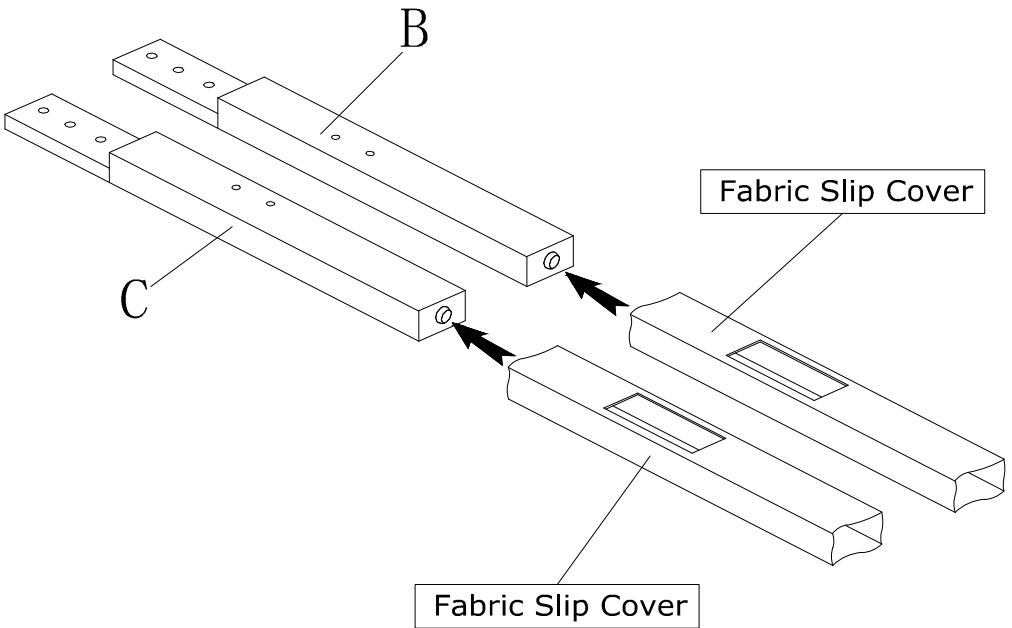
HARDWARE SPARE LIST

#1	x1	#2	x1	#3	x1	#4	x1	#5	x1	#6	x1
											
JCBC M8 X 25MM		JCBC M8 X 40MM		JCBC M6 X 60MM		SPRING WASHER M6 X 12MM		FLAT WASHER M6 X 19MM		SCREW M4 X 32MM	
#7	x1	#8	x1								
											
JCBC M8 X 30MM		FLAT WASHER M8 X 19MM									

ASSEMBLY INSTRUCTIONS

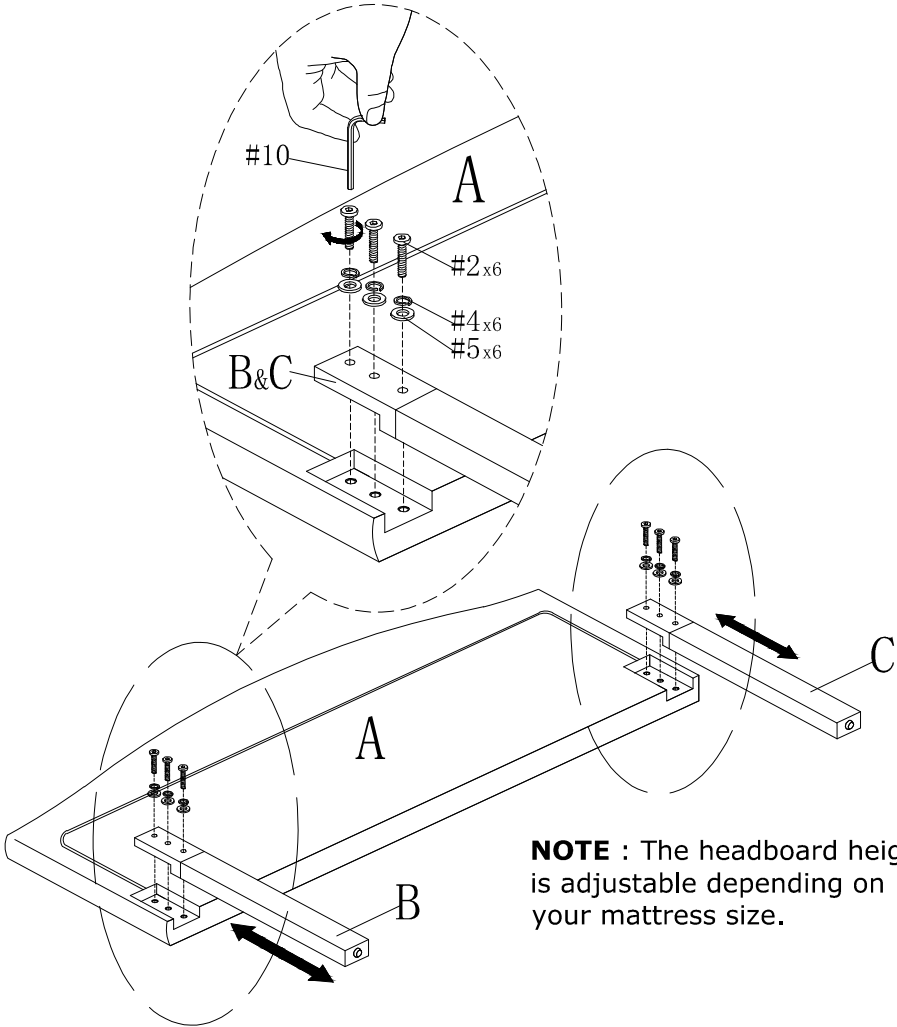
STEP-1

NOTE : Insert the fabric slip cover into the part B and part C.





ASSEMBLY INSTRUCTIONS


STEP-2

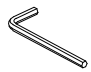


NOTE : The headboard height is adjustable depending on your mattress size.

#2	x6
	
JCBC M6 X 40MM	

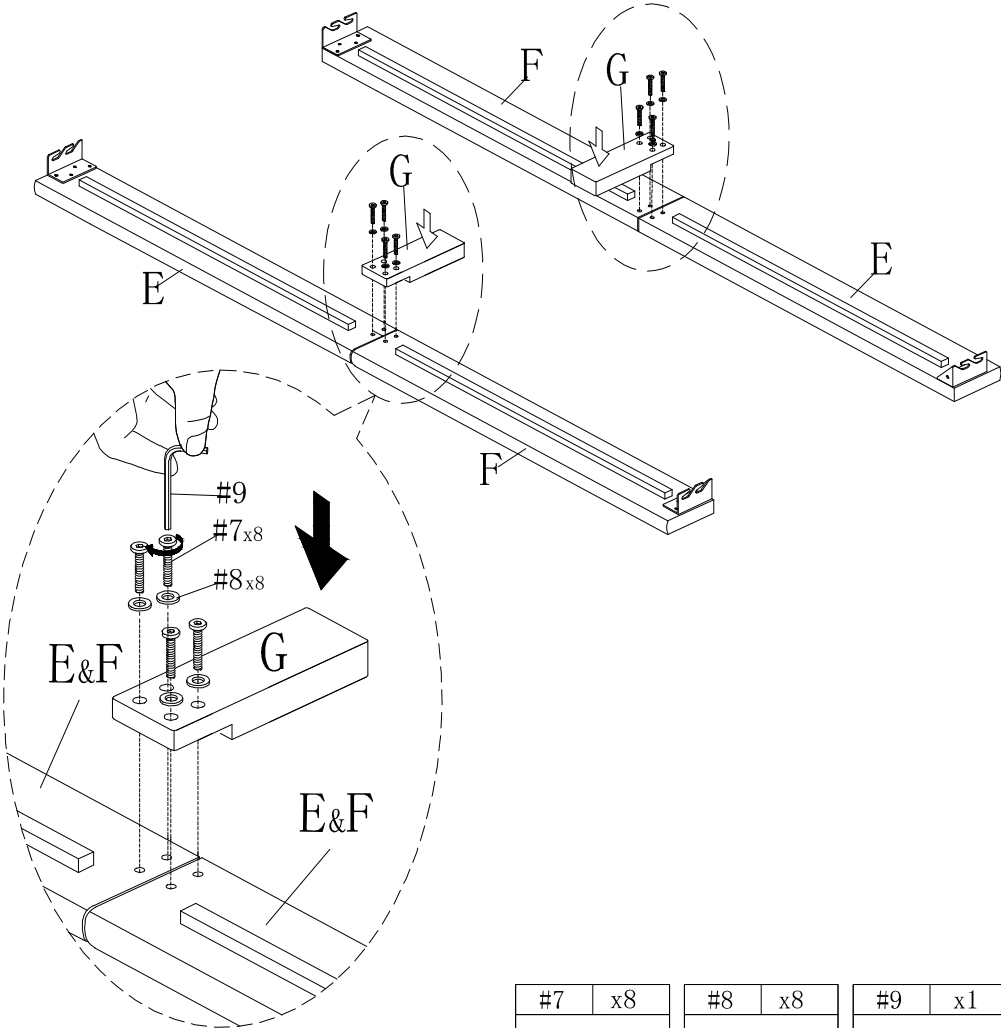
#4	x6
	
SPRING WASHER M6 X 12MM	



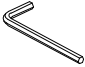
#5	x6
	
FLAT WASHER M6 X 19MM	

#10	x1
	
ALLEN WRENCH M4	

ASSEMBLY INSTRUCTIONS

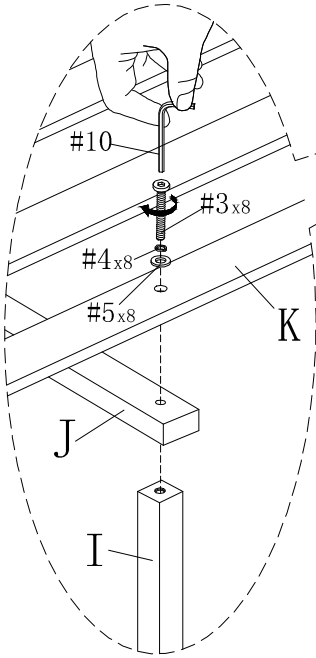
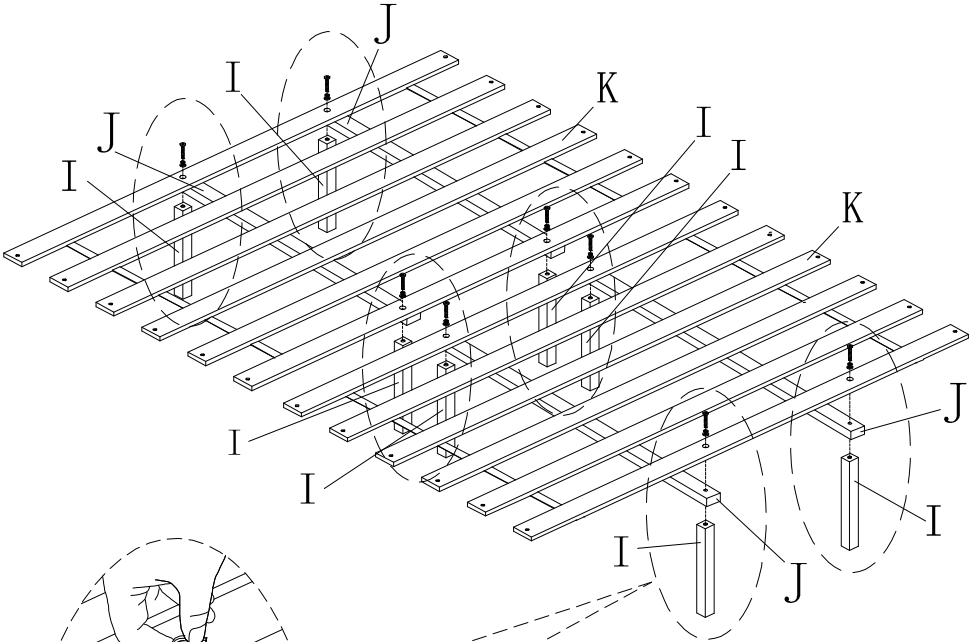
STEP-3

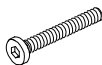


#7	x8	#8	x8	#9	x1
					
JCBC M8 X 30MM		FLAT WASHER M8 X 19MM		ALLEN WRENCH M5	


ASSEMBLY INSTRUCTIONS

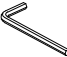
STEP-4



#3	x8
	
JCBC M6 X 60MM	

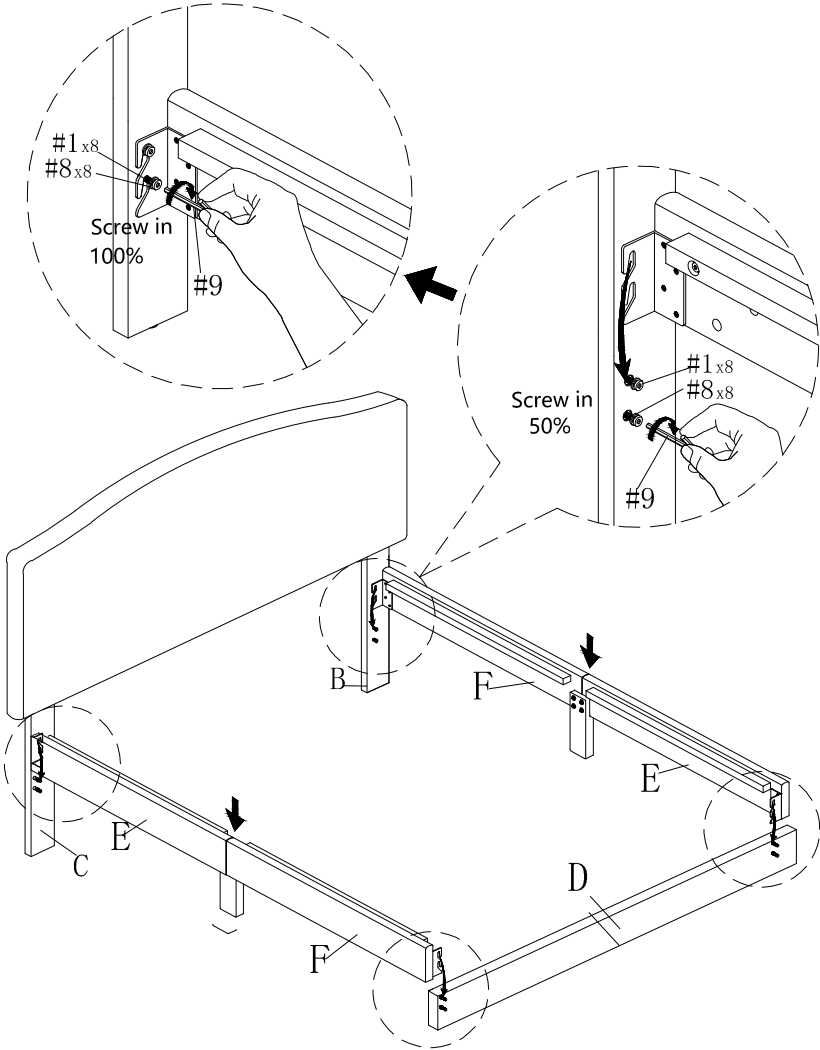
#4	x8
	
SPRING WASHER M6 X 12MM	


#5	x8
	
FLAT WASHER M6 X 19MM	


#10	x1
	
ALLEN WRENCH M4	

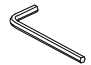
ASSEMBLY INSTRUCTIONS

STEP-5



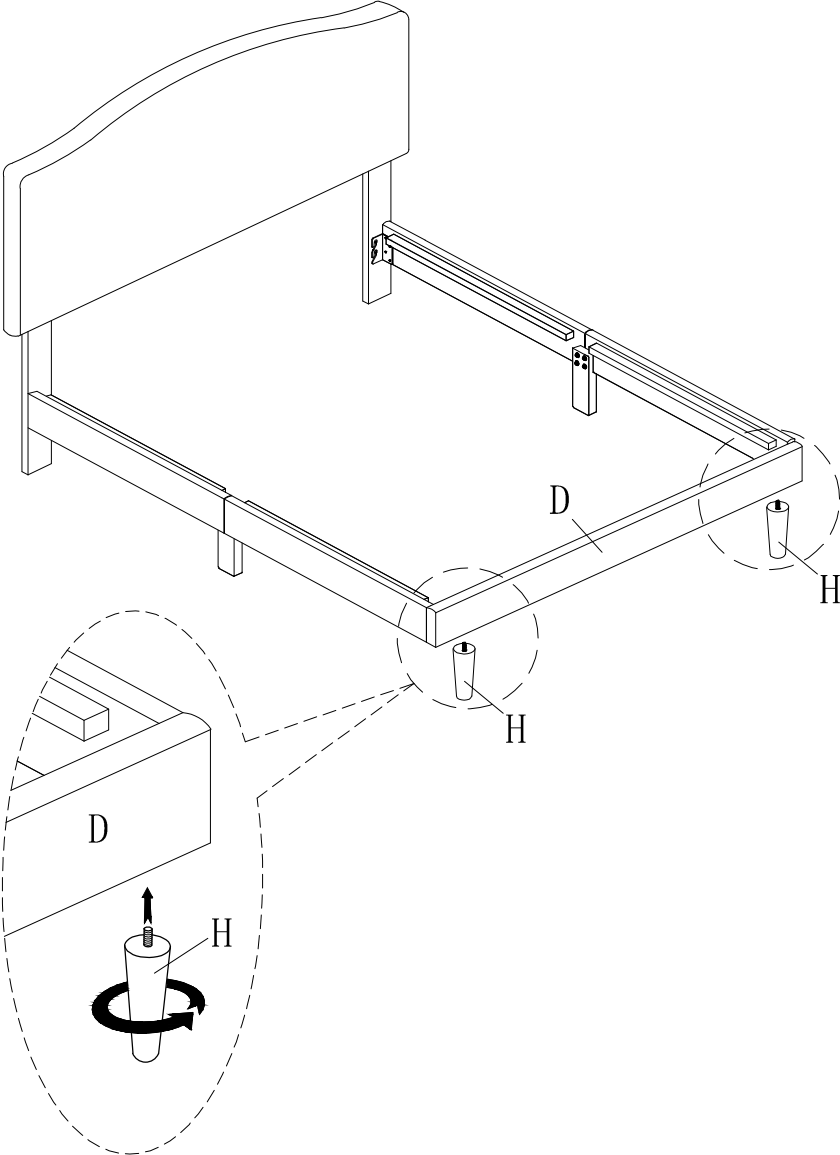
#1	x8
	
JCBC M8 X 25MM	

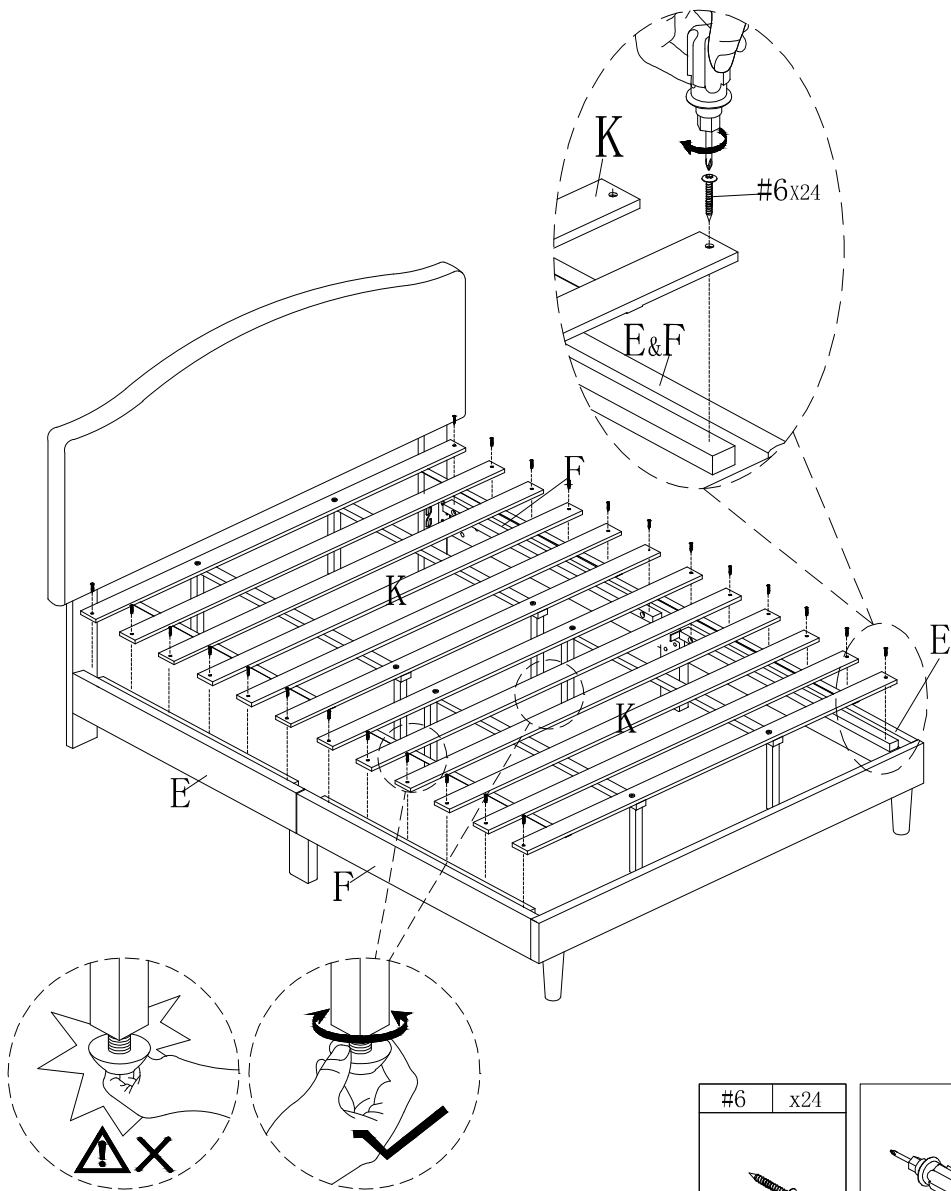
#8	x8
	
FLAT WASHER M8 X 19MM	


#9	x1
	
ALLEN WRENCH M5	

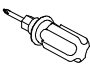
ASSEMBLY INSTRUCTIONS

STEP-6





#6	x24
	
SCREW M4 X 32MM	

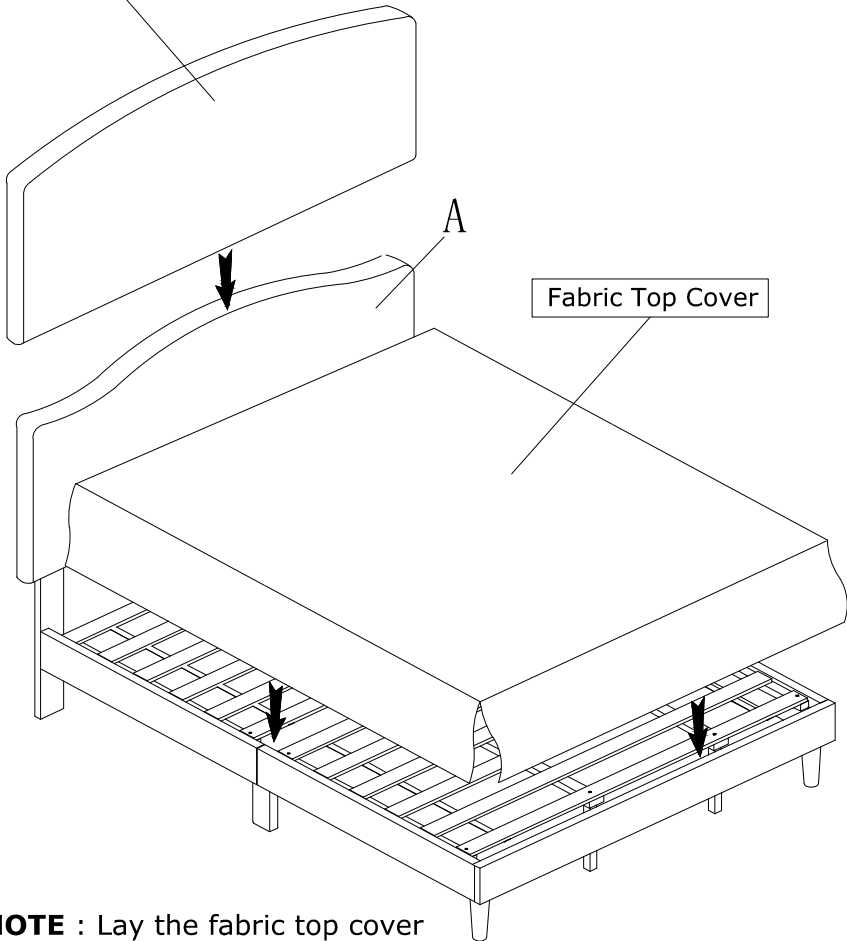

Provide for oneself

ASSEMBLY INSTRUCTIONS

STEP-8

NOTE : Insert the fabric slip cover into the part A.

Fabric Slip Cover

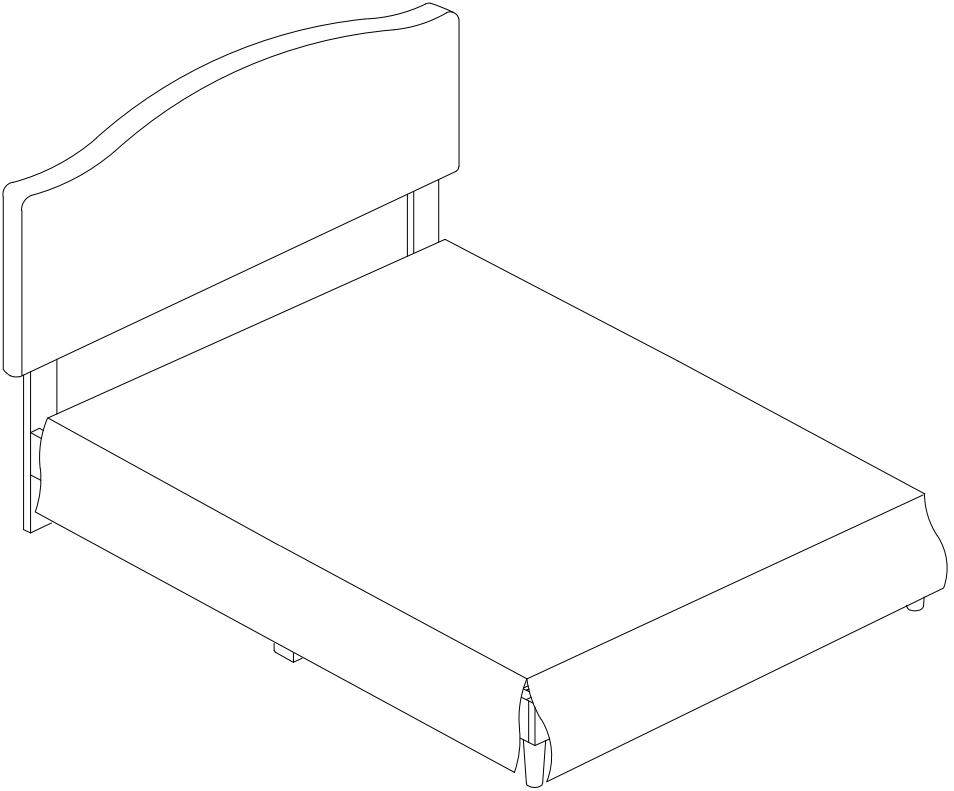


Fabric Top Cover

NOTE : Lay the fabric top cover on the footboard, side rail and wooden slat.

ASSEMBLY INSTRUCTIONS

STEP-9



Assembly Complete

WARRANTY

1. We strive to offer high-quality products, and we also try our best to satisfy each and every customer that orders from us with product or service as needed.
2. We provide 30 days warranty starting from the time you receive the item. Each customer must provide a record of their order such as the order number, or item receipt for any items that are out of the warranty period you may also still receive.
3. Replacement parts by purchasing them with our company if they are available.