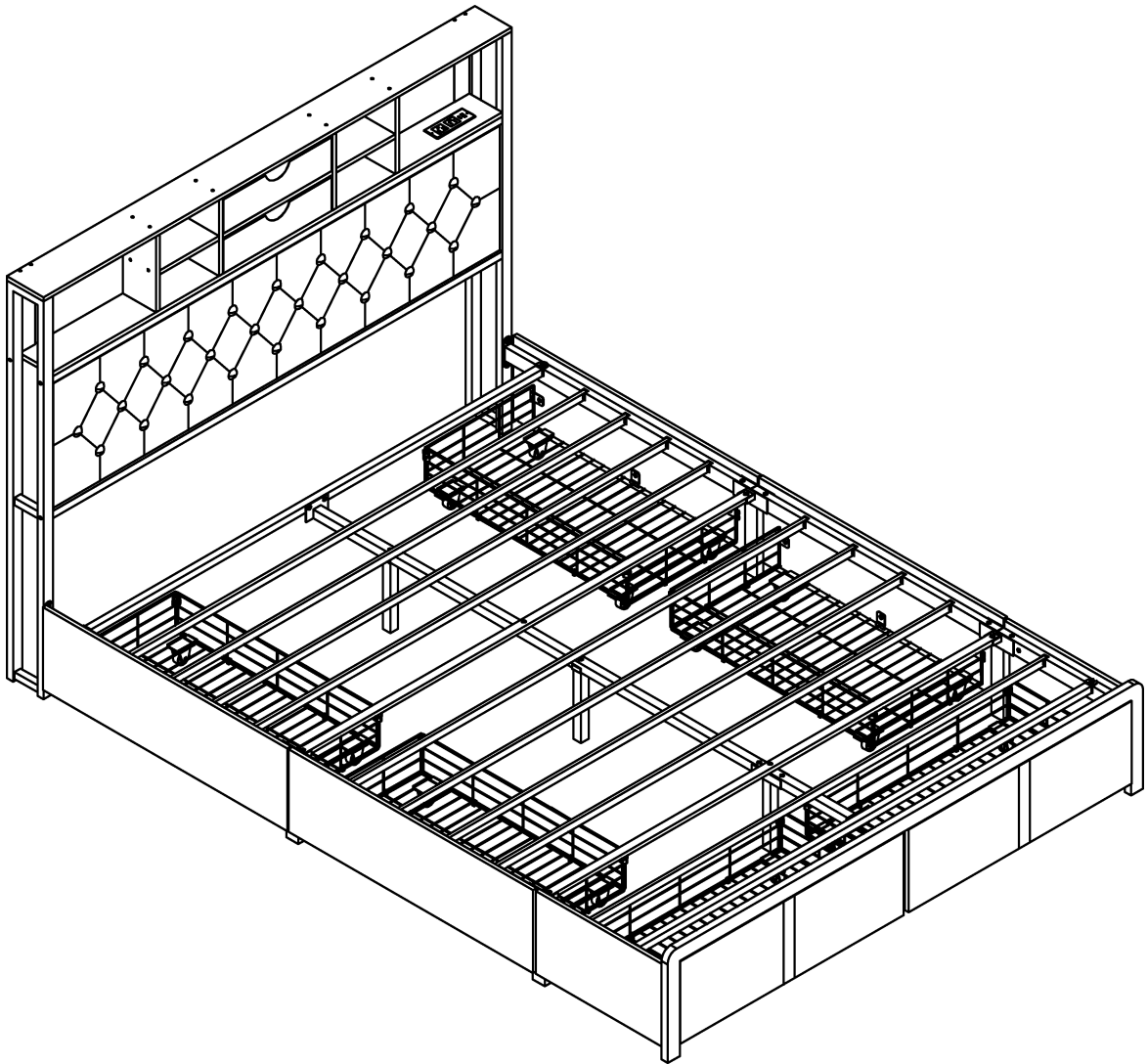
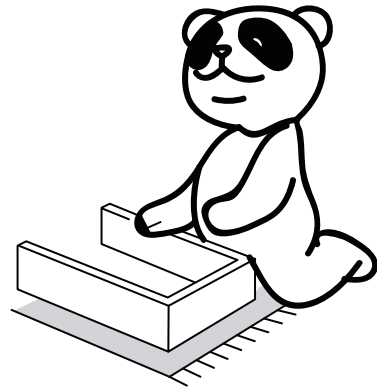
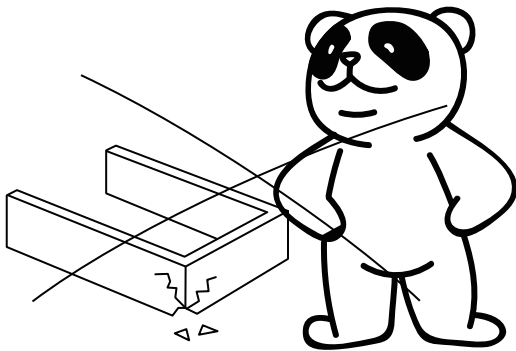
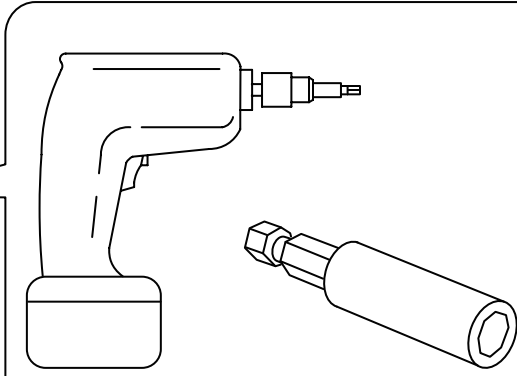
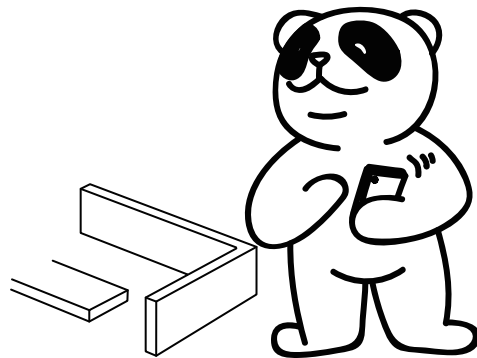
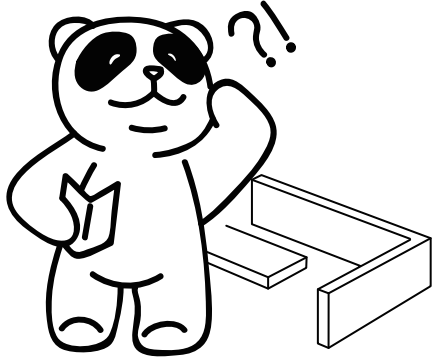


# Installation & Assembly

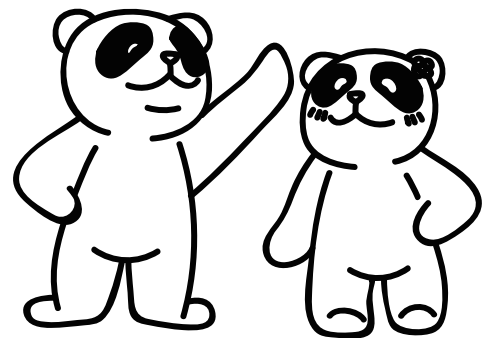
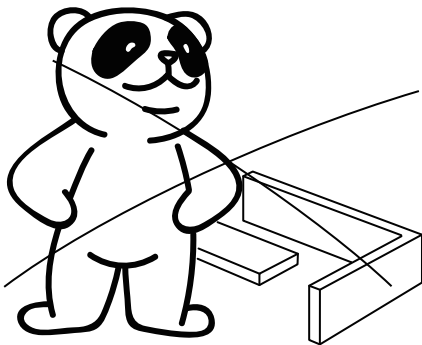




Violent installation is prohibited

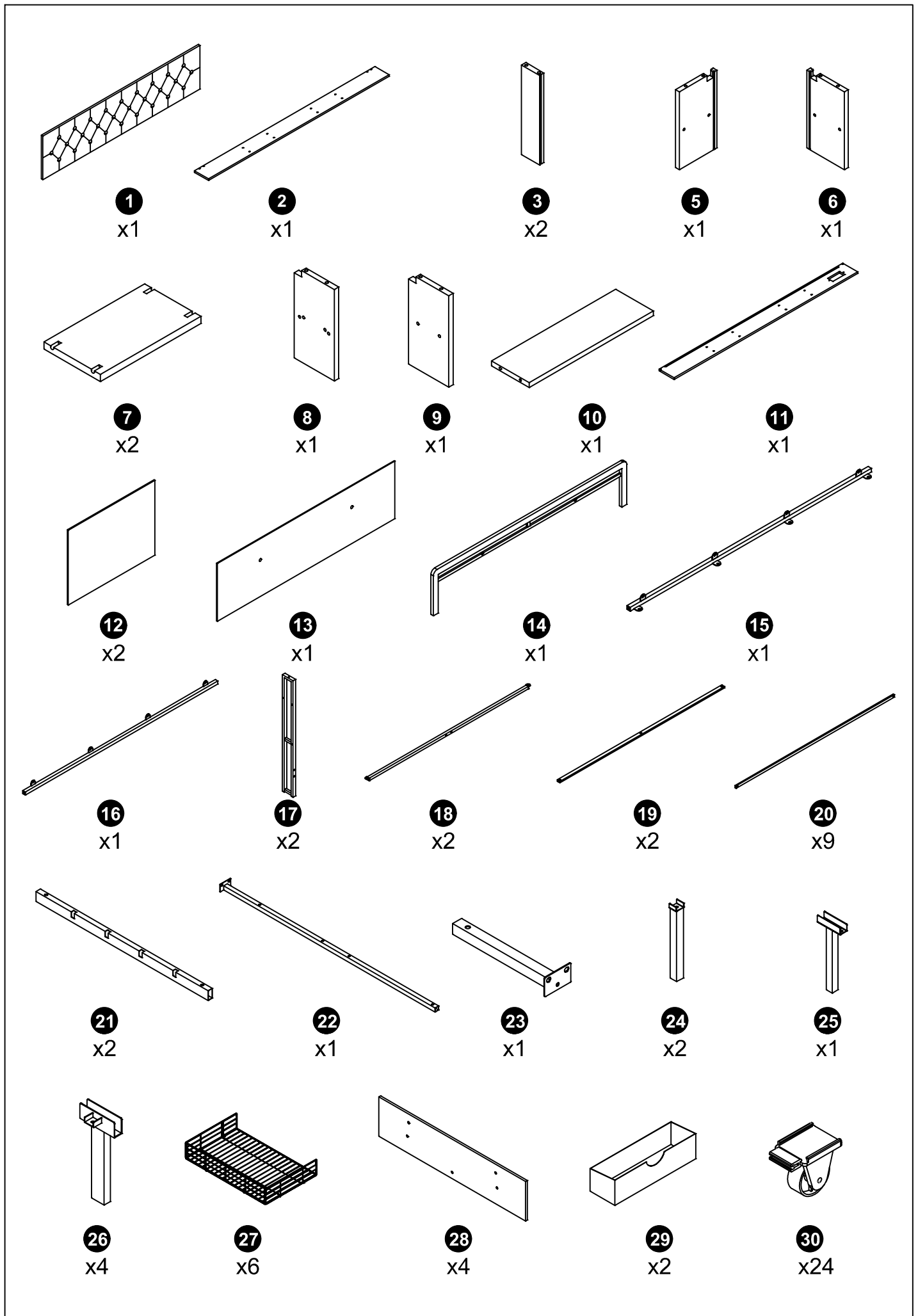


Please call if you need help

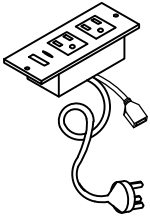


Multi-person cooperation is recommended

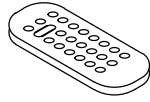
# Assembly Instruction



# Assembly Instruction

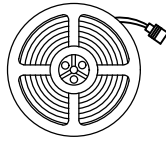


**31**  
x1



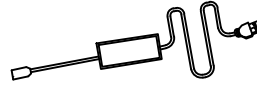
**Remote control**

**32**  
x1



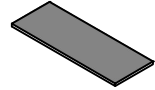
**Light strip**

**33**  
x1



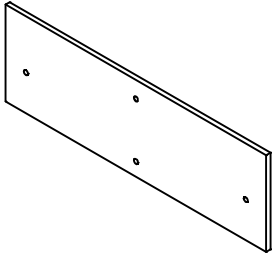
**Power cord**

**34**  
x1

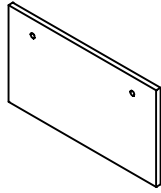


**Magic tape**

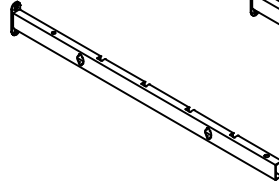
**35**  
x3



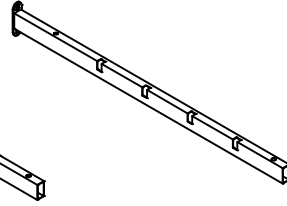
**36**  
x2



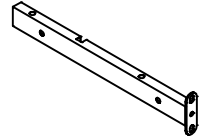
**37**  
x2



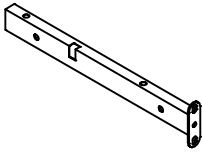
**38**  
x1



**39**  
x1



**40**  
x1



**41**  
x1

# Assembly Instruction



A

M6\*12

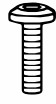
x4+1



B

M6\*20

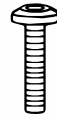
x4+1



C

M6\*28

x2+1



D

M6\*45

x4+1



E

M8\*15

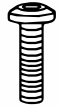
x50+3



F

M8\*20

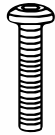
x4+1



G

M8\*35

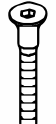
x5+1



H

M8\*50

x9+1



J

M5\*35

x30+2



K

M3\*12

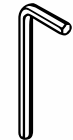
x2+1



M

M8\* $\phi$ 22

x6+1



O

M5

x1



P

M6

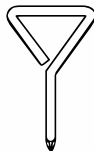
x1



Q

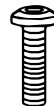
M8

X1



R

x1



S

M8\*30

x4+1



T

Plastic buckle

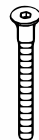
x13



V

Iron buckle

x19



W

M5\*50

x2+1



X

x8



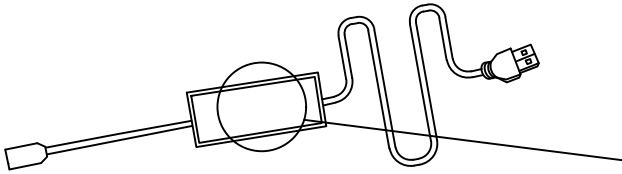
Y

M6\*10

x4+1

# Assembly Instruction

## LED light strip electronic accessories list



x1

### 34 Power cord

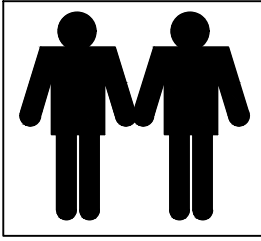


There is a two-dimensional code at the position of the power line. Scanning can download the APP for the control light

# Assembly Instruction

**Note:**

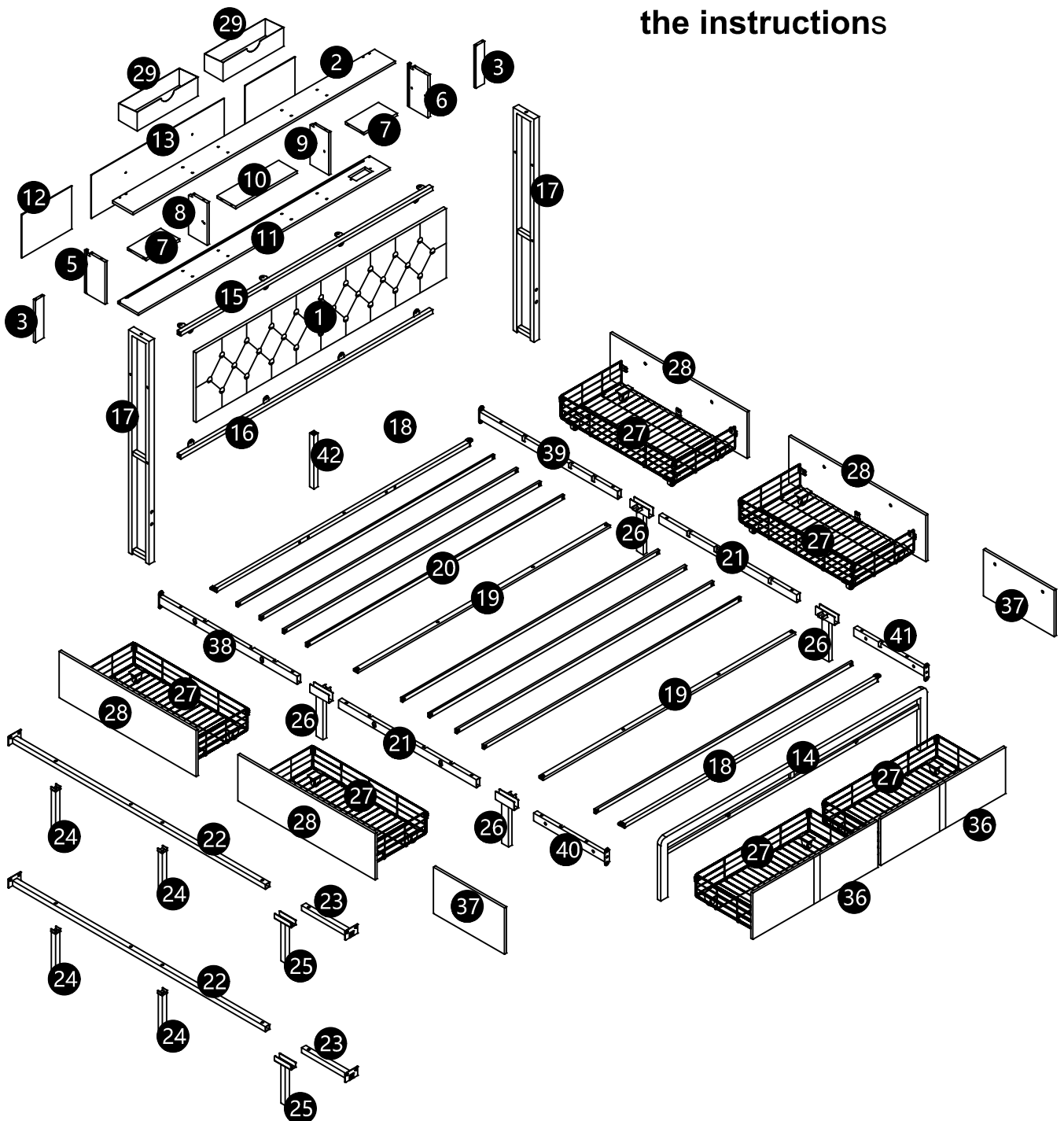
1. Should be assembled on flat ground to keep balance.
2. Before completing the installation, do not tighten the screws.



**It needs at least two people to install !!**

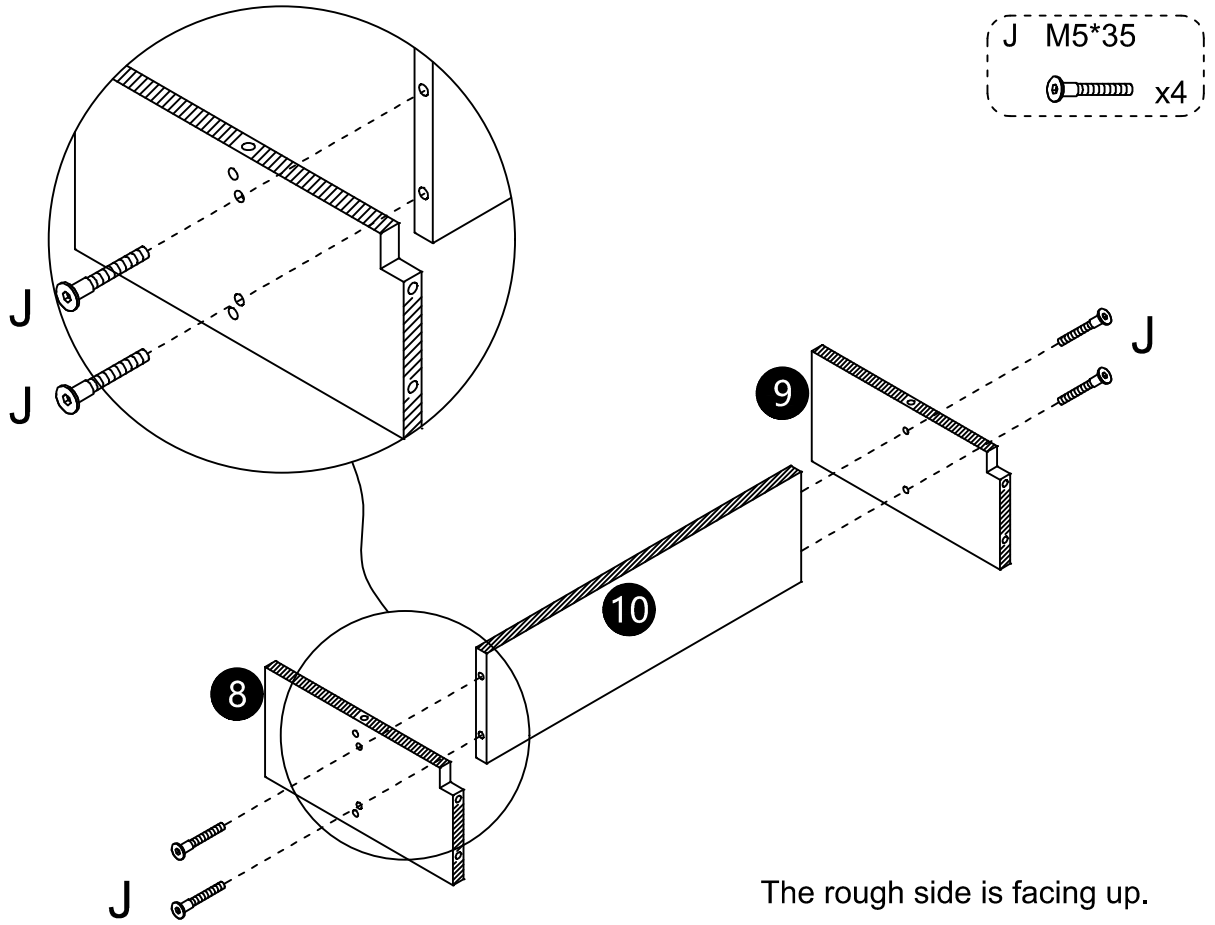


**Before starting the assembly, you must read the whole manual and follow the instructions**

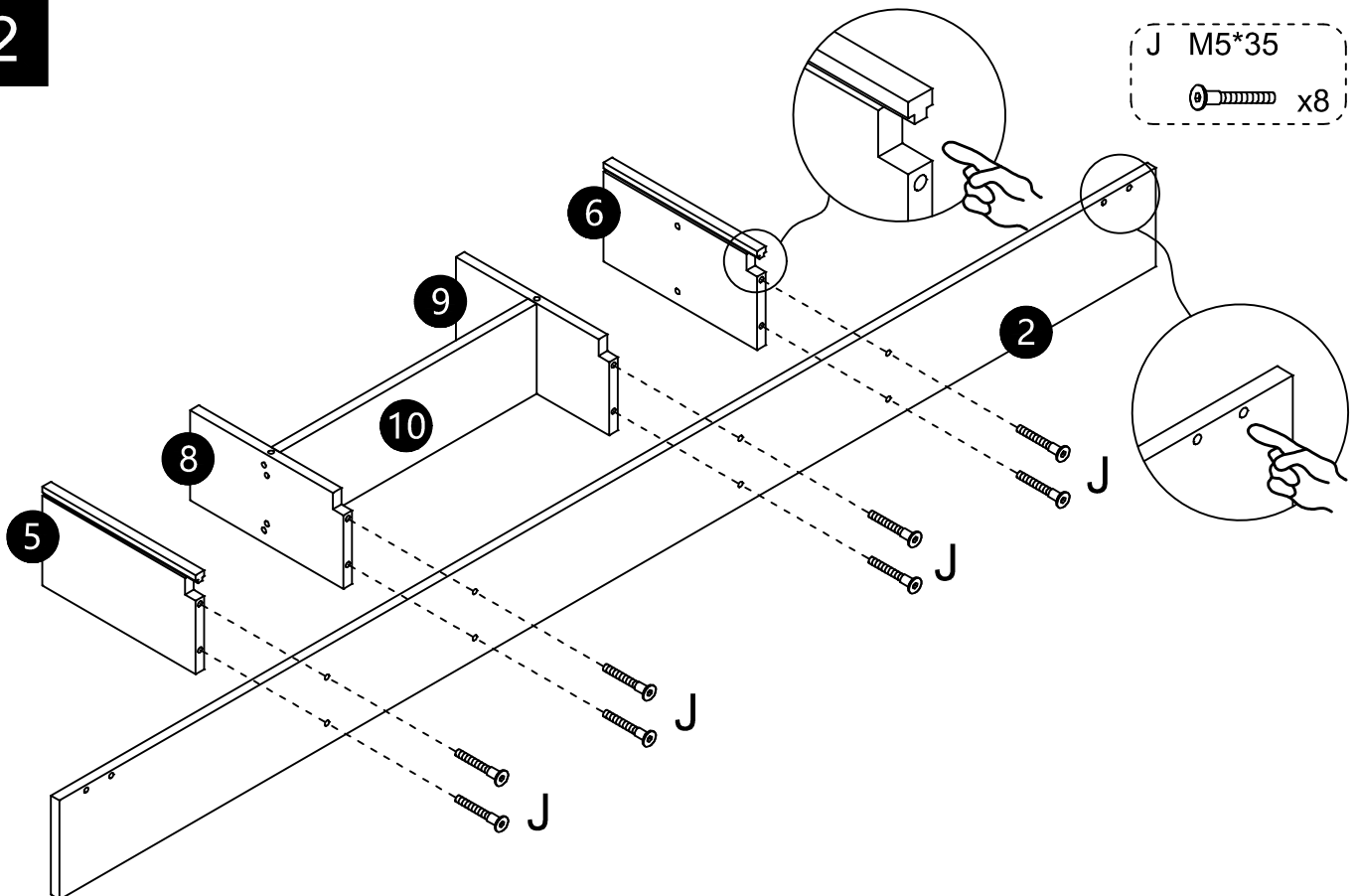


# Assembly Instruction

1



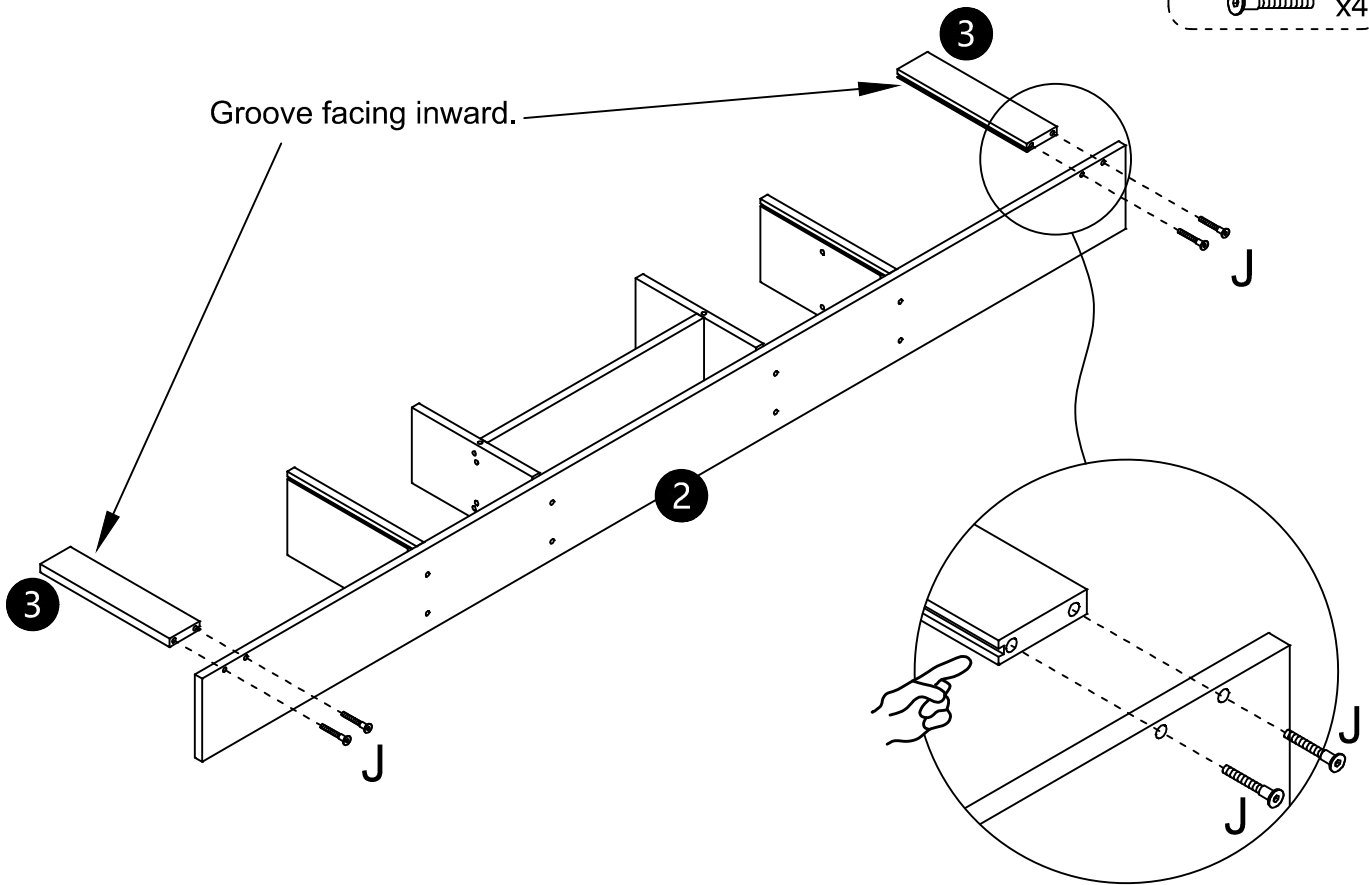
2



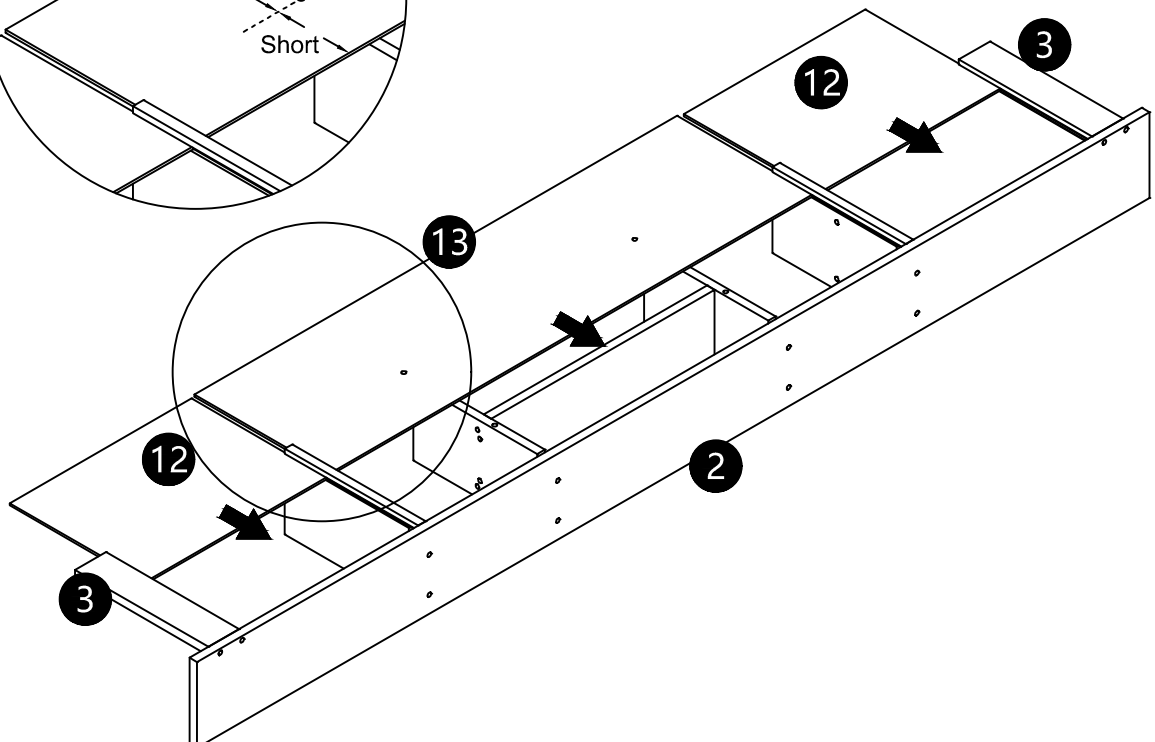
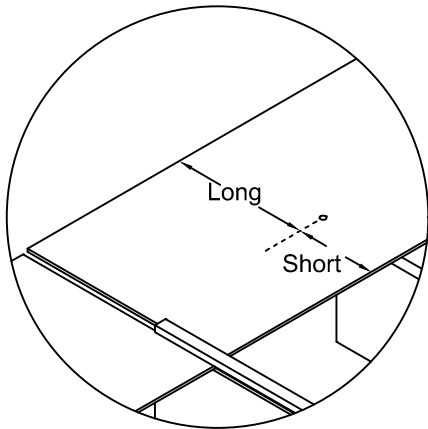
# Assembly Instruction

3

J M5\*35  
x4



4

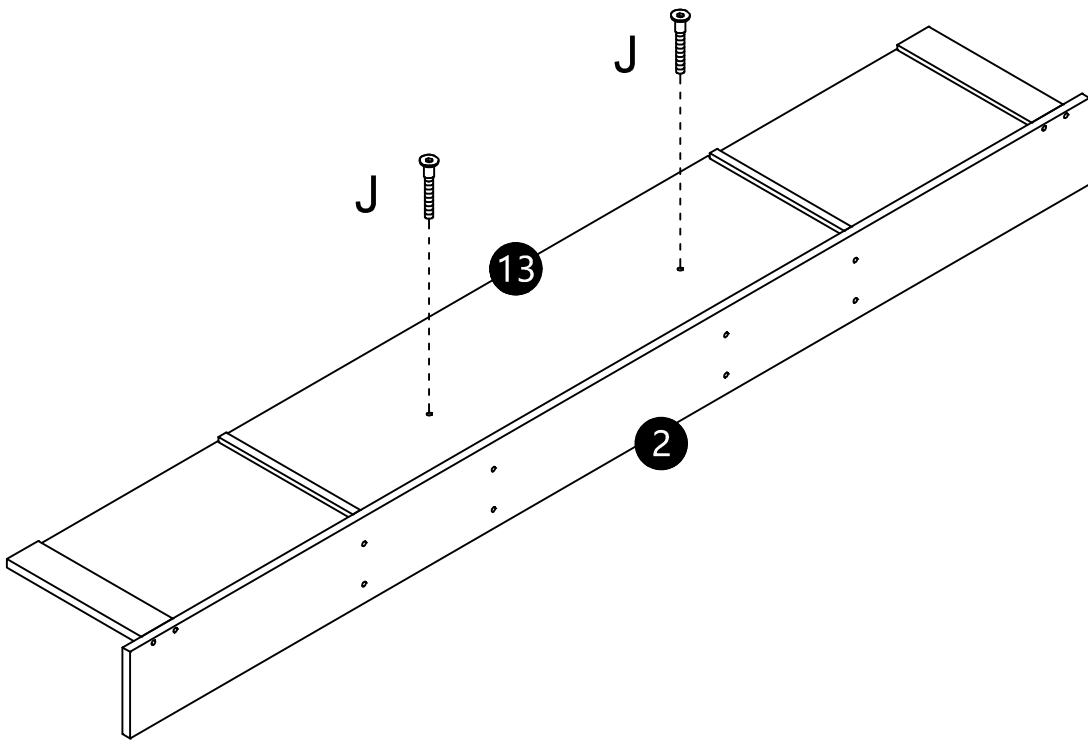


# Assembly Instruction

5

J M5\*35

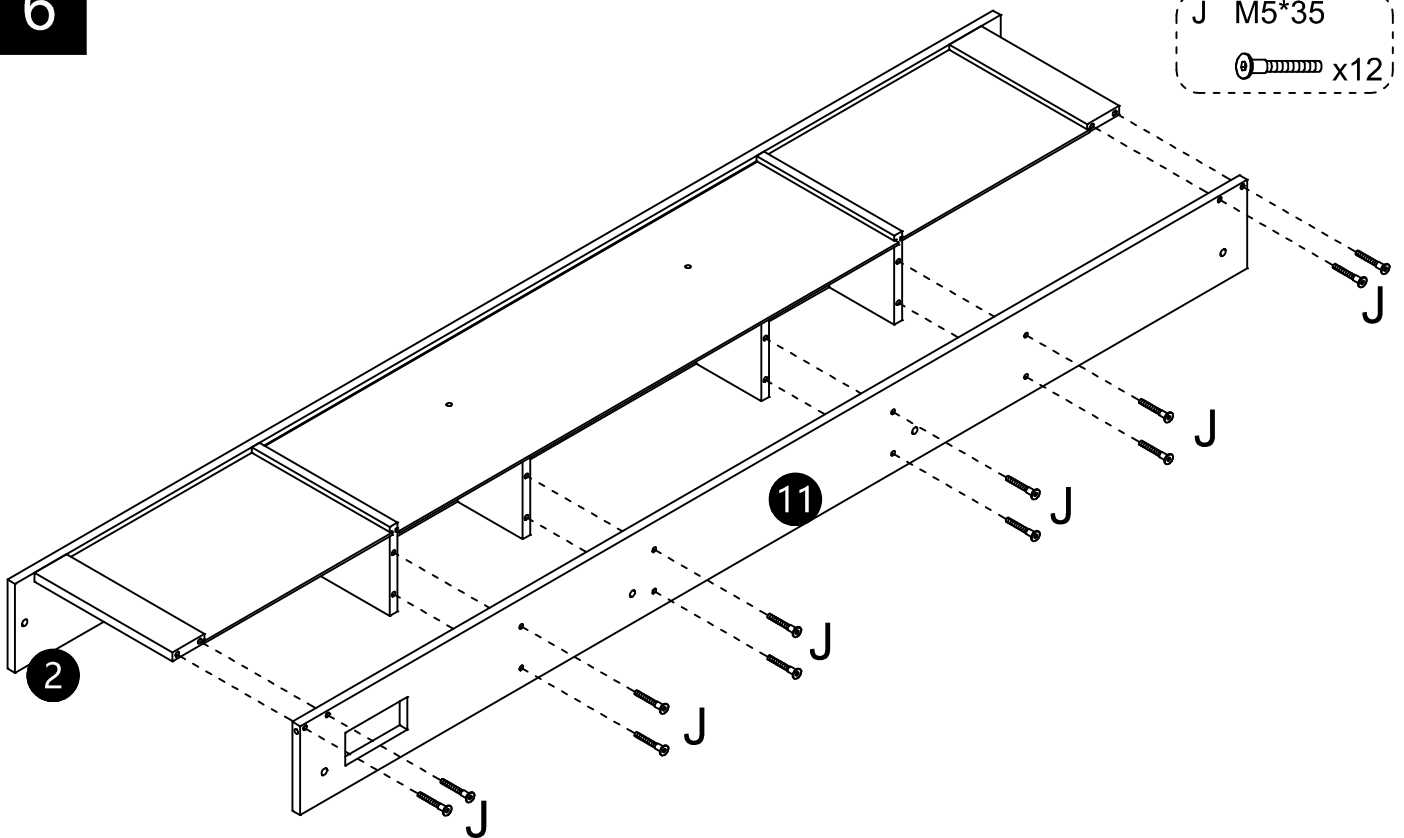
x2



6

J M5\*35

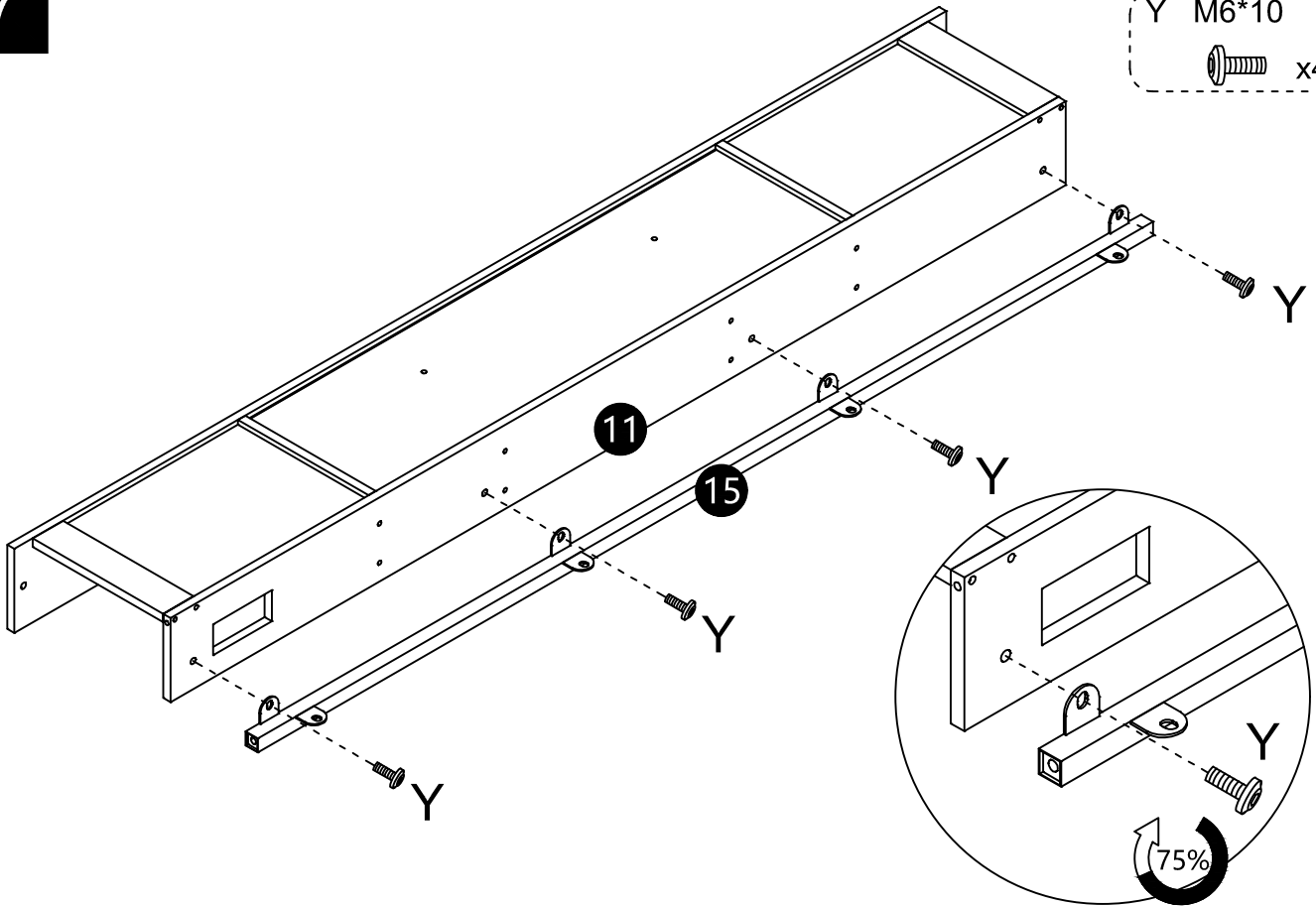
x12



# Assembly Instruction

7

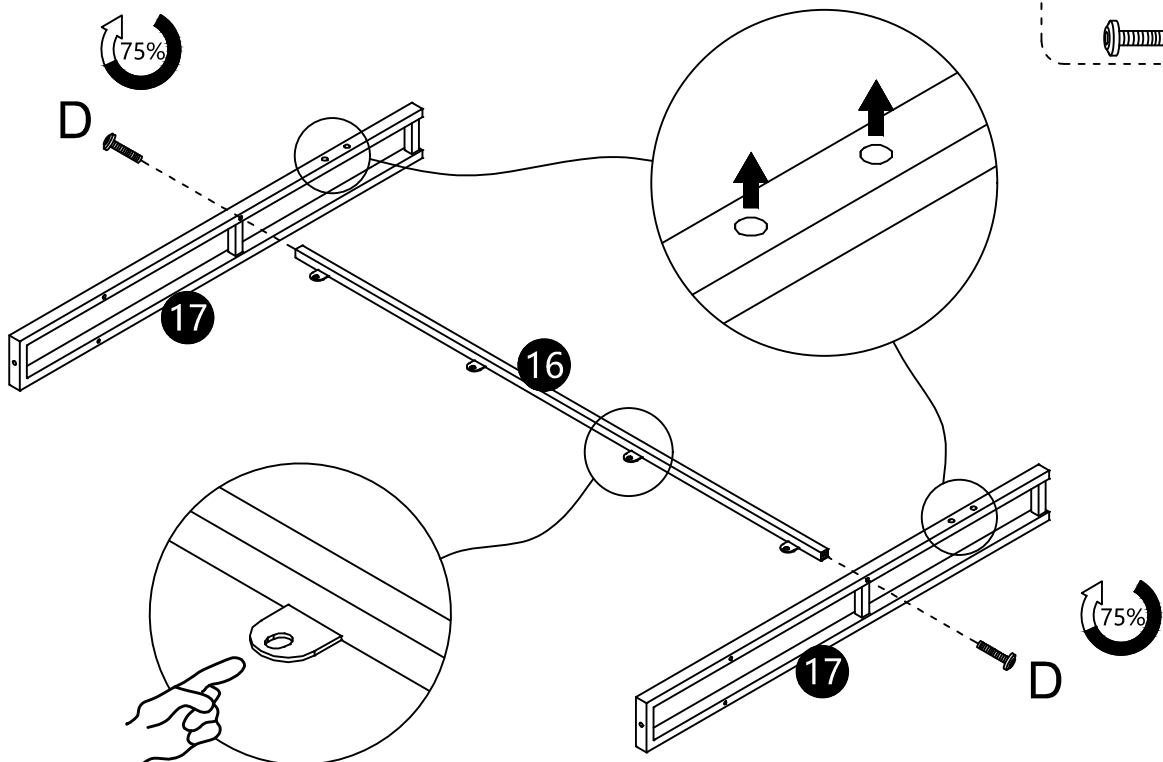
Y M6\*10  
x4



Lock these screws to 75%.

8

D M6\*45  
x2



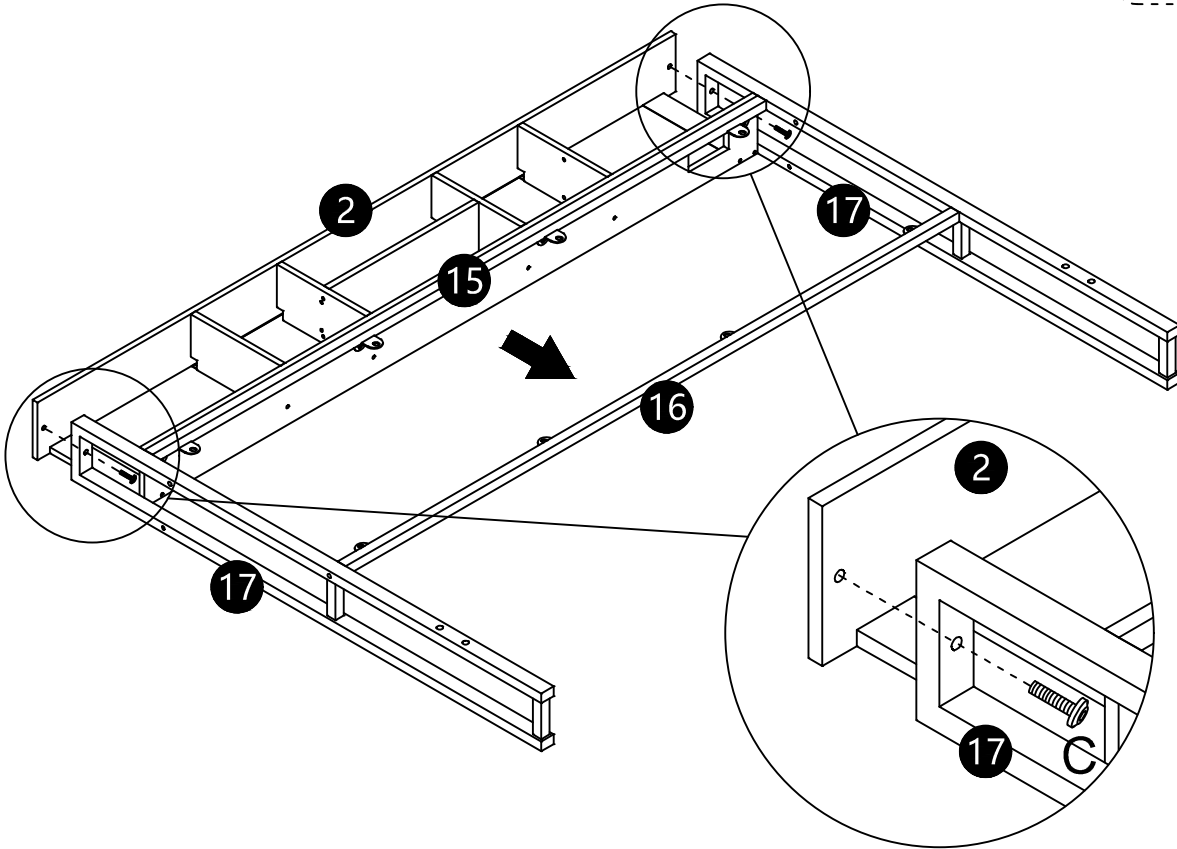
The small iron piece is located below.

# Assembly Instruction

9

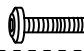
C M6\*28

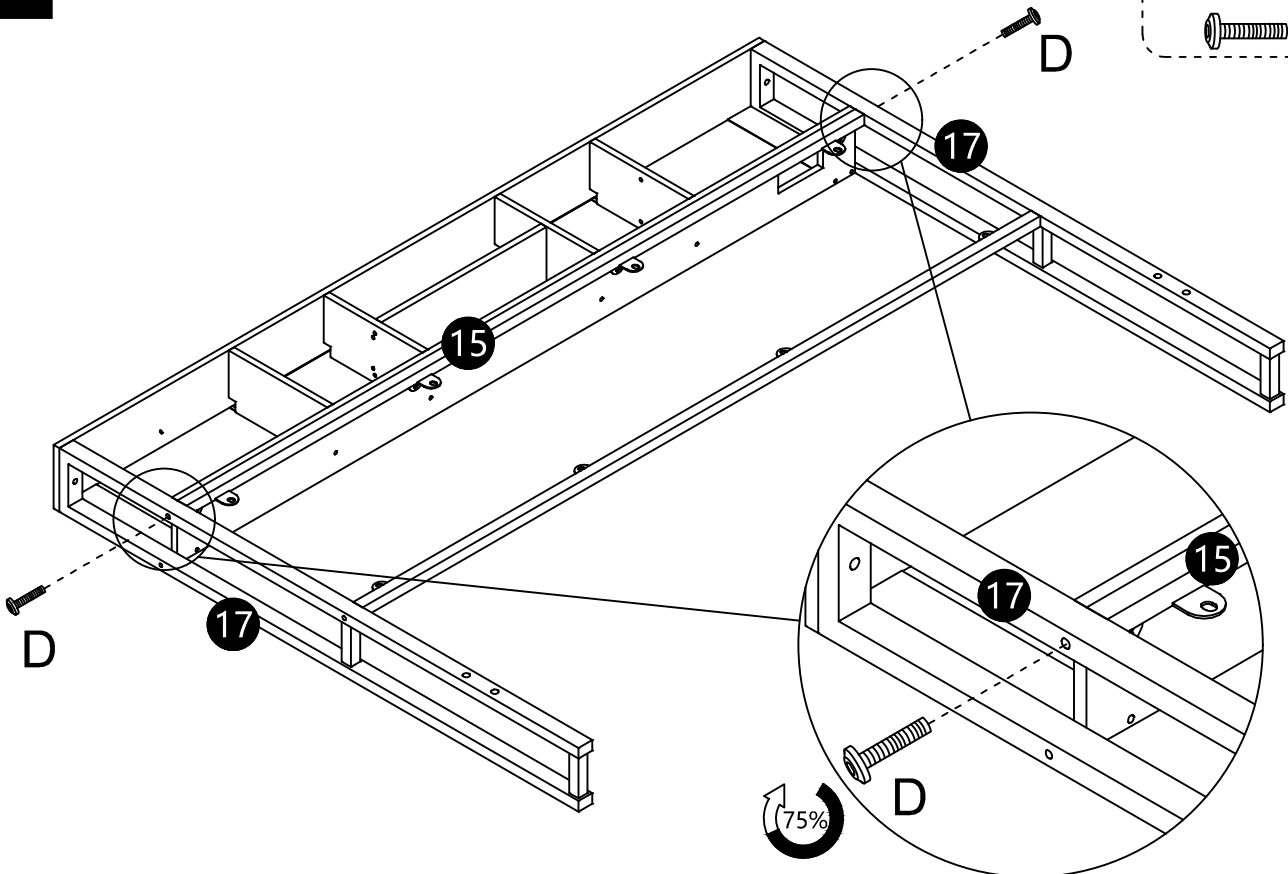
 x2



10

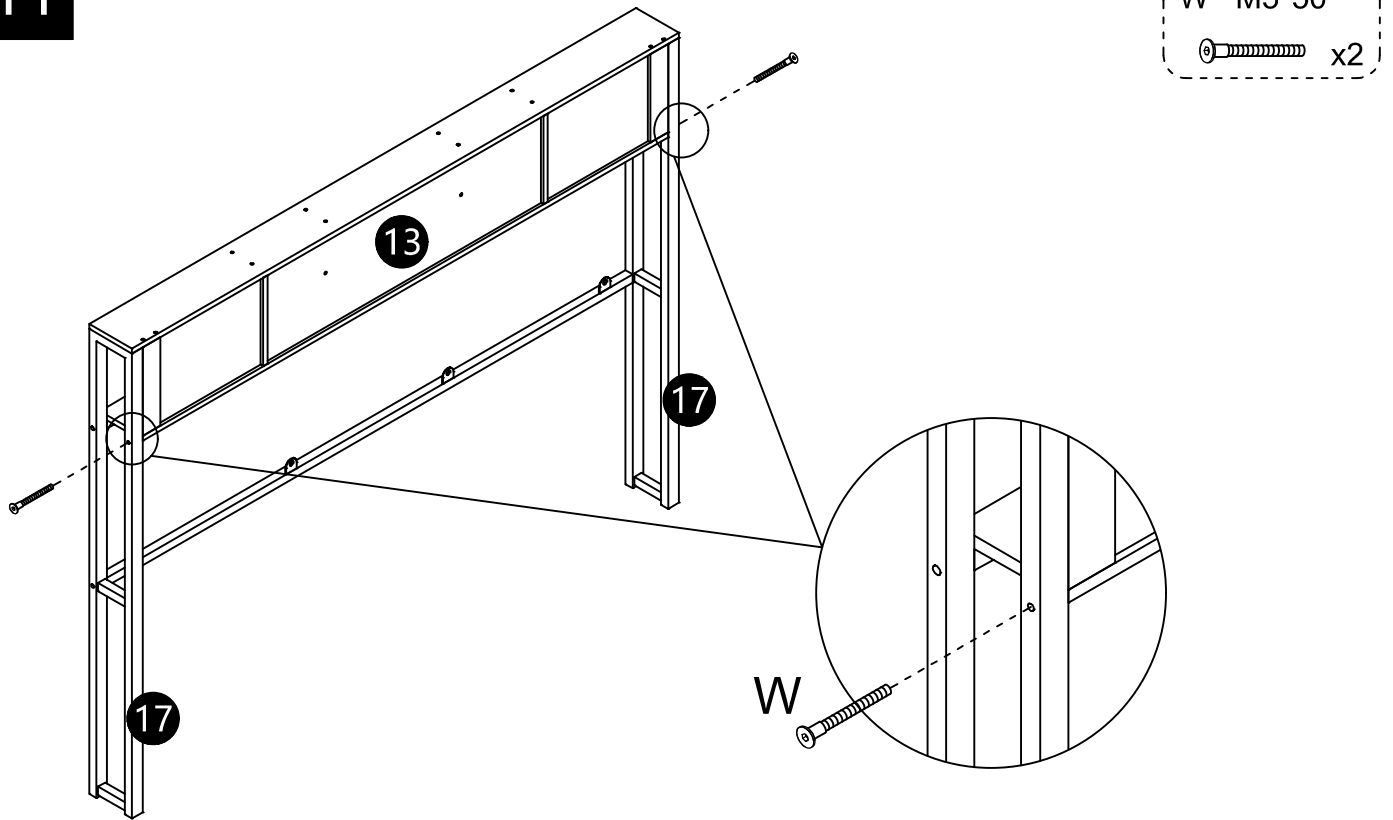
D M6\*45

 x2



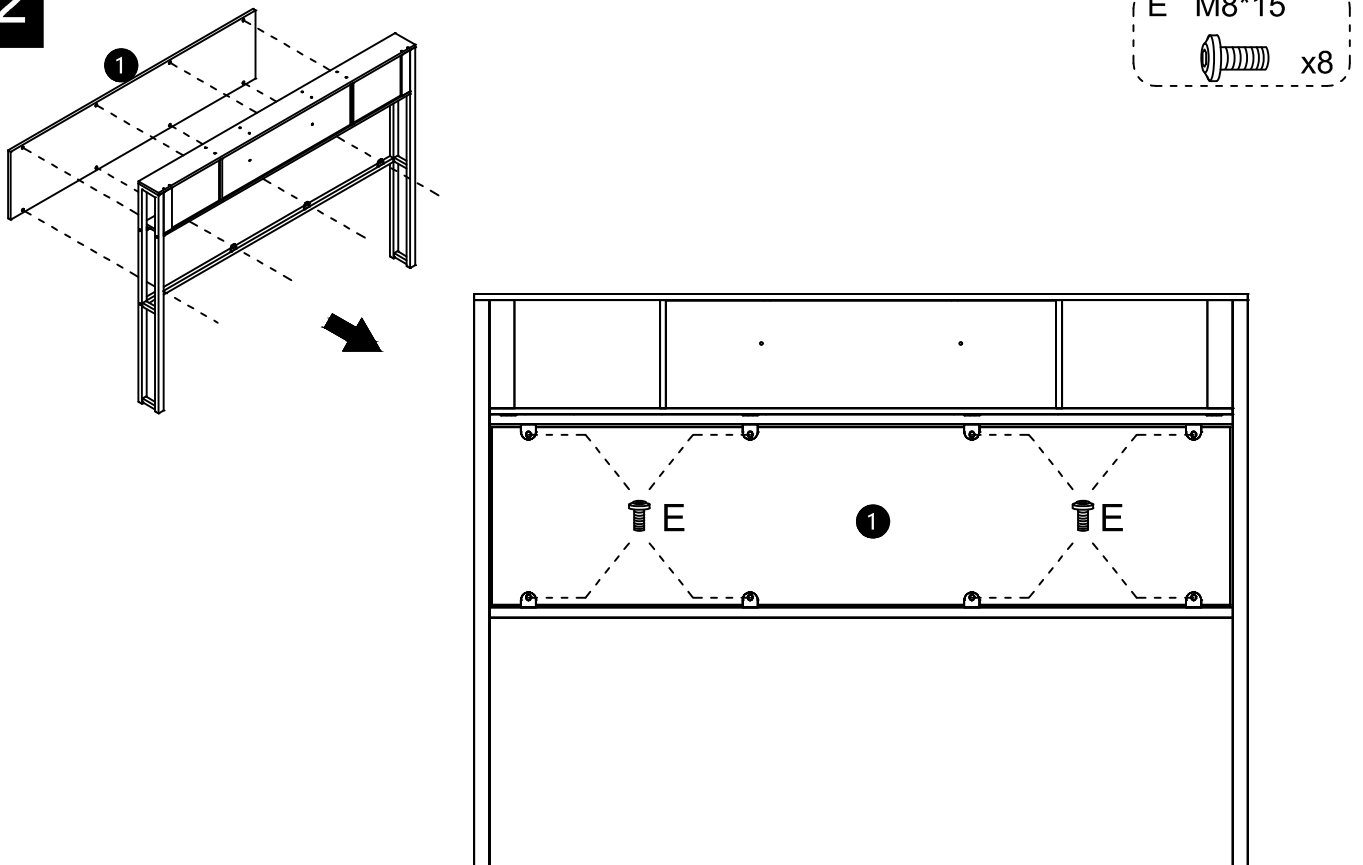
# Assembly Instruction

11



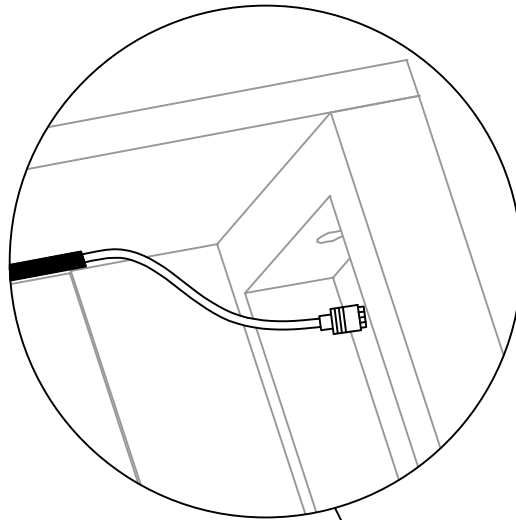
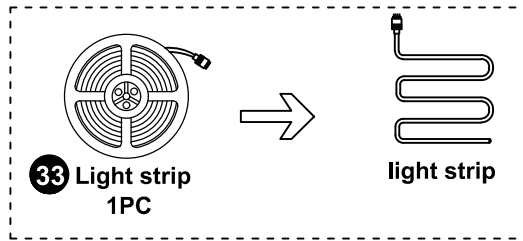
After completing this step, tighten the screws of steps 7, 8, and 10 completely.

12

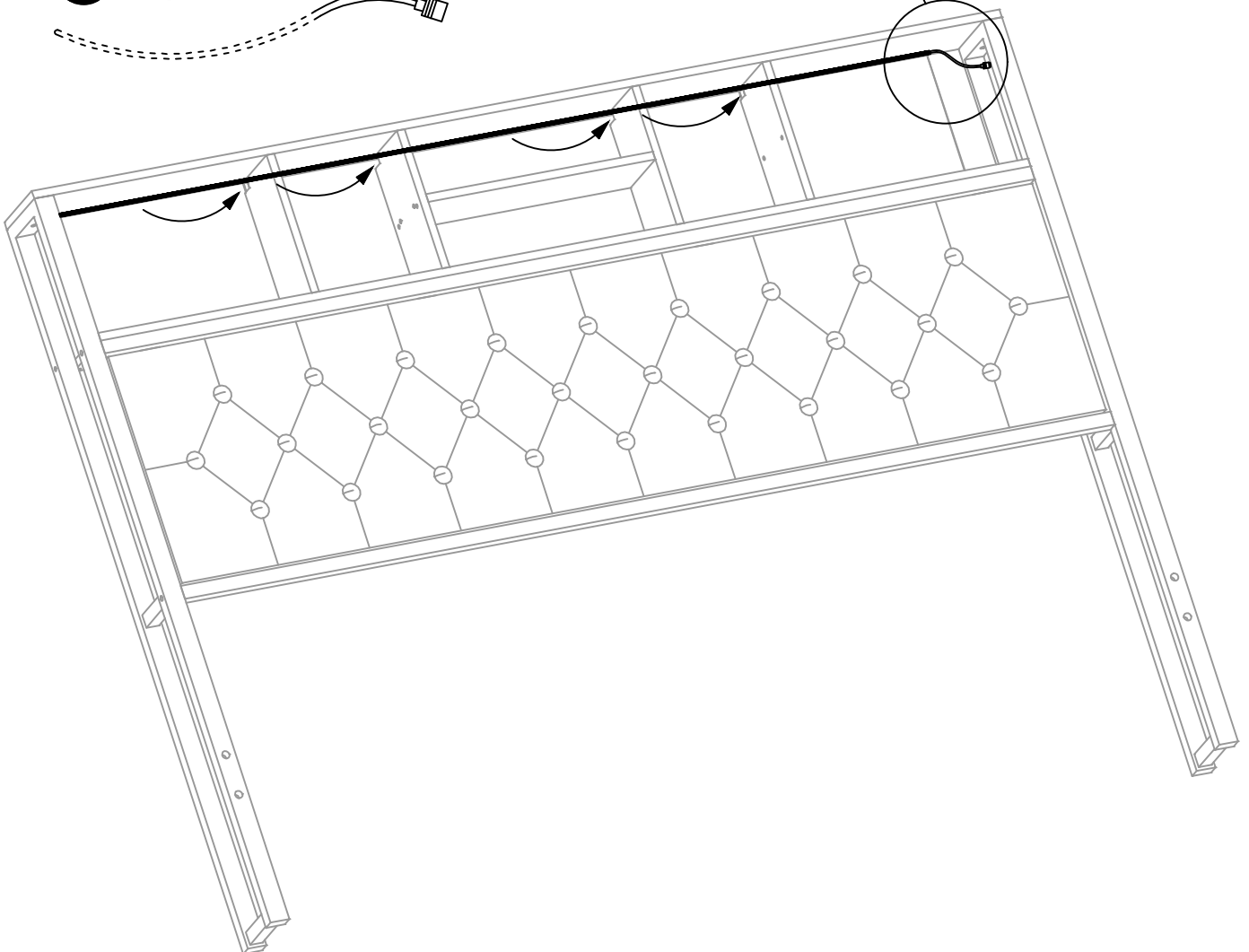


# Assembly Instruction

13

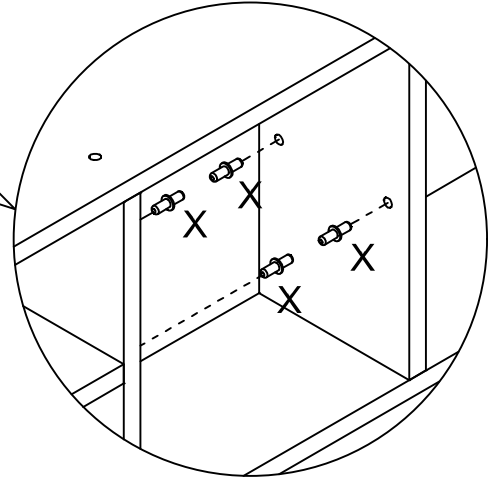
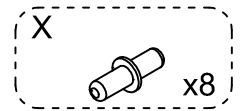
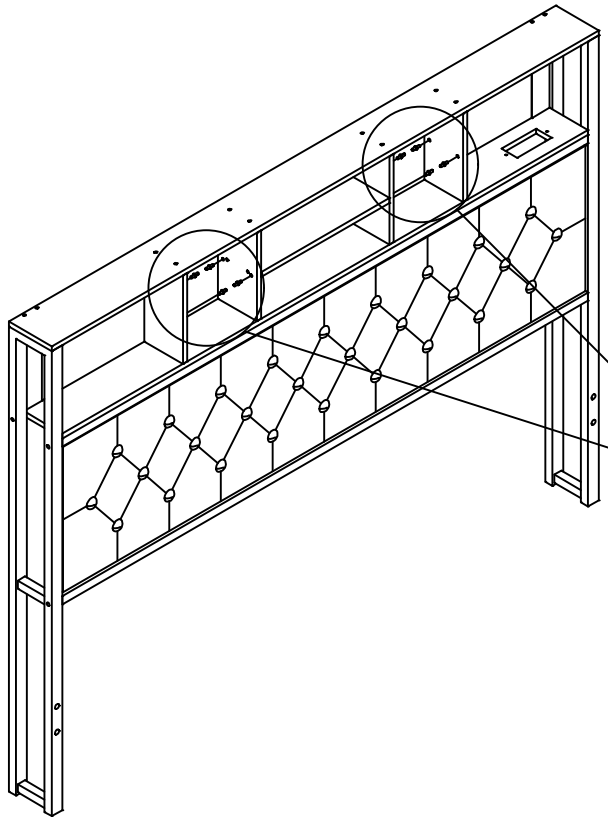


33 Light bar

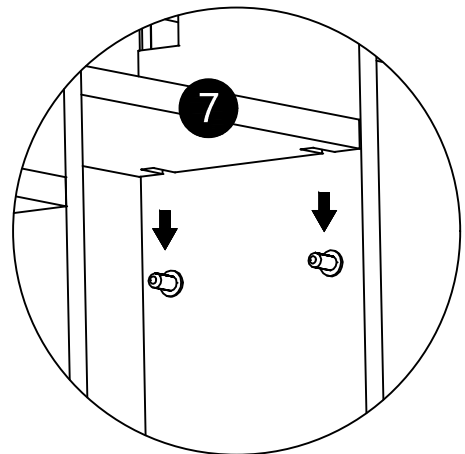
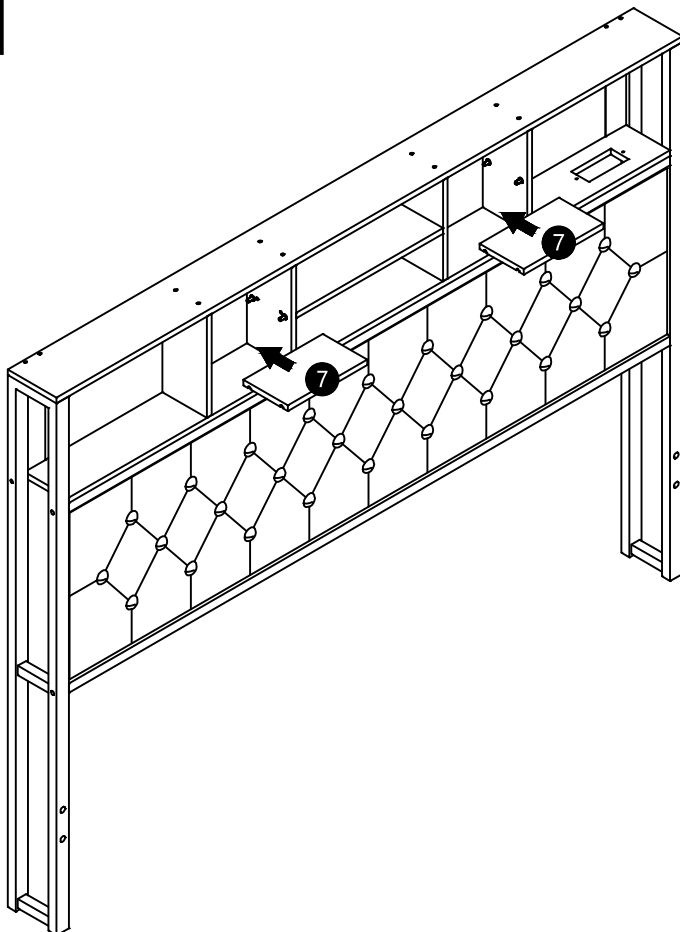


# Assembly Instruction

14

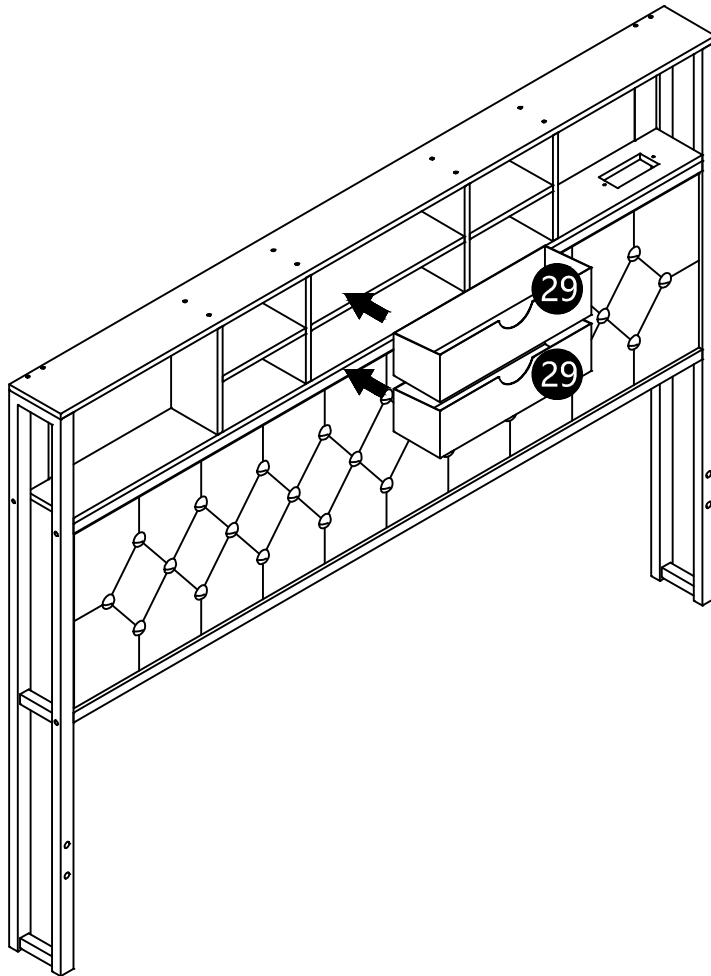


15

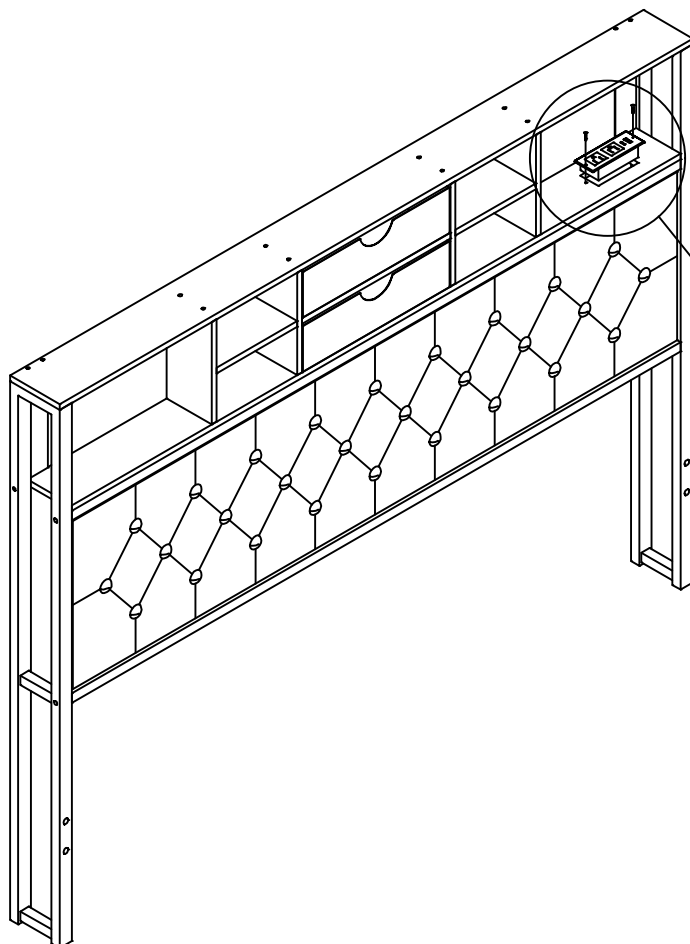


# Assembly Instruction

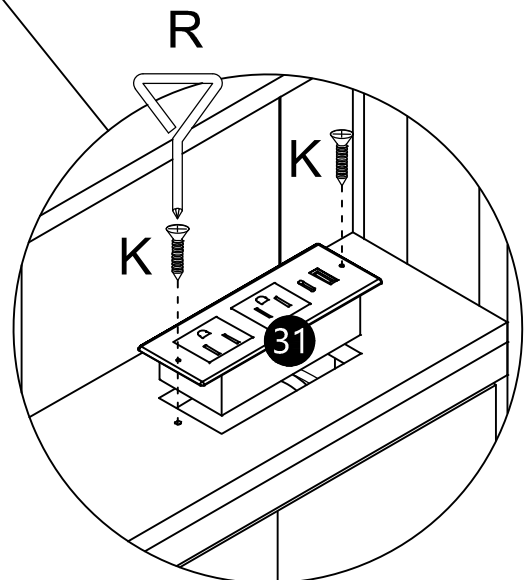
16



17



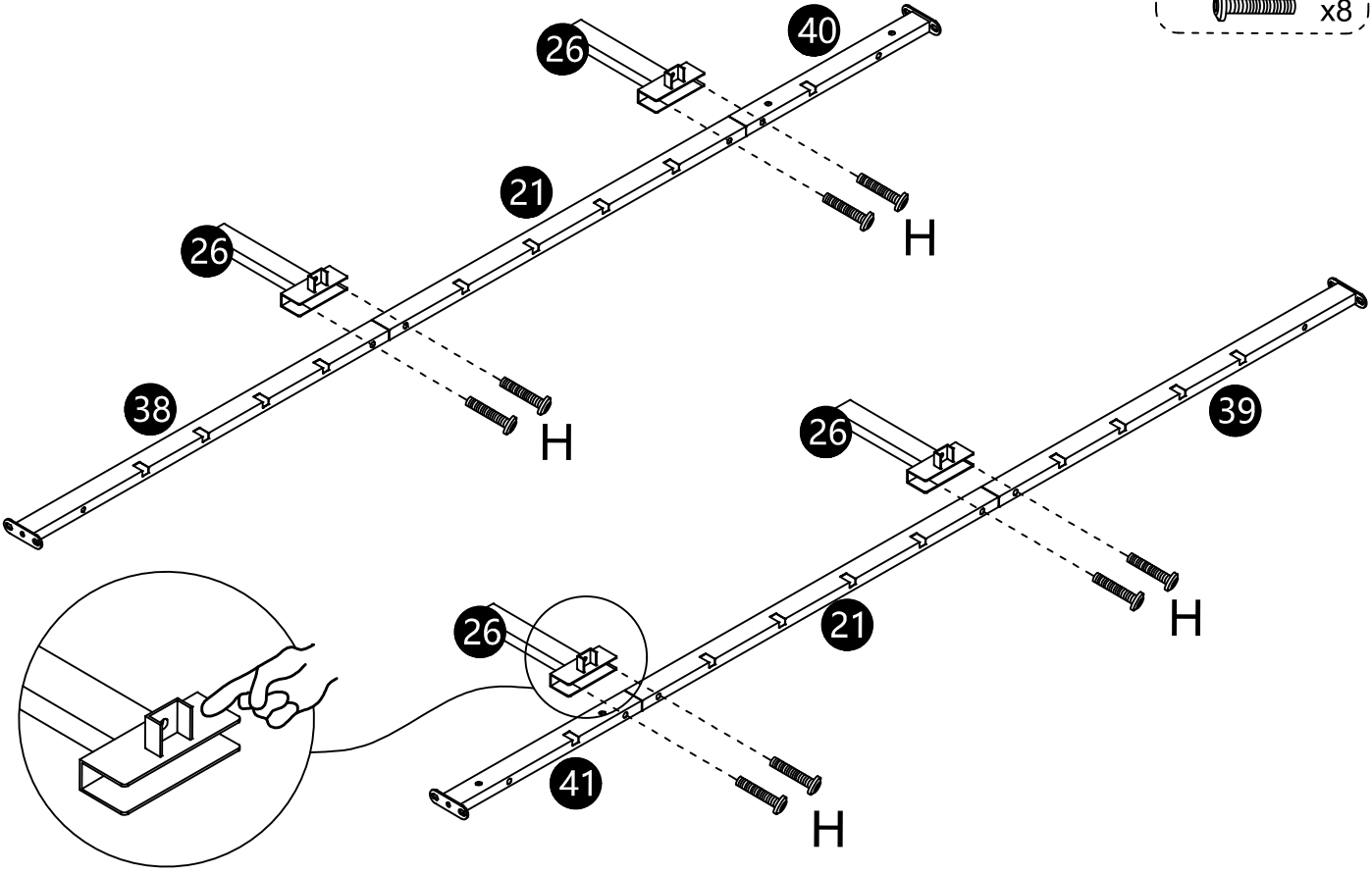
K M3\*12  
x2



# Assembly Instruction

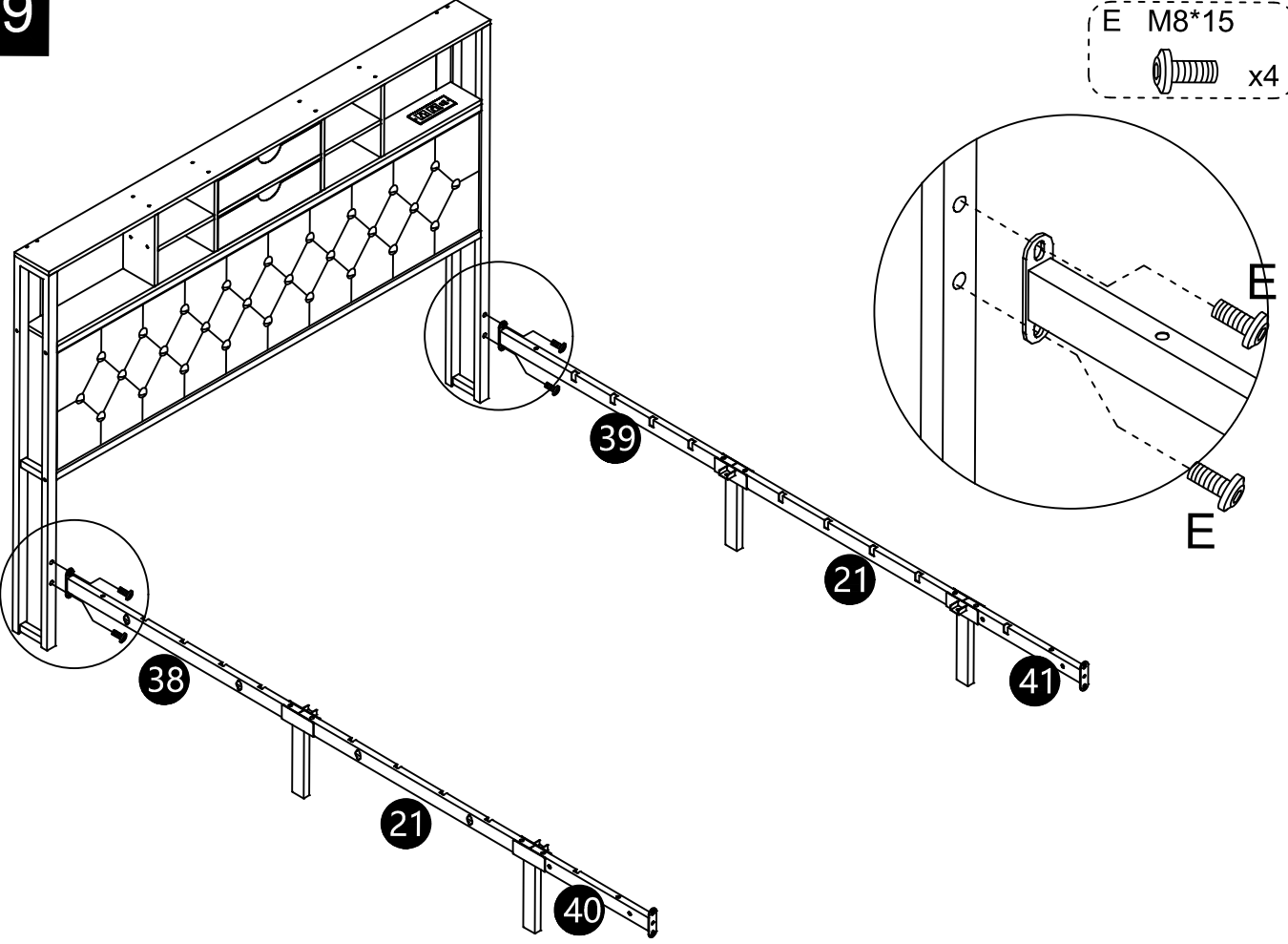
18

H M8\*50  
x8



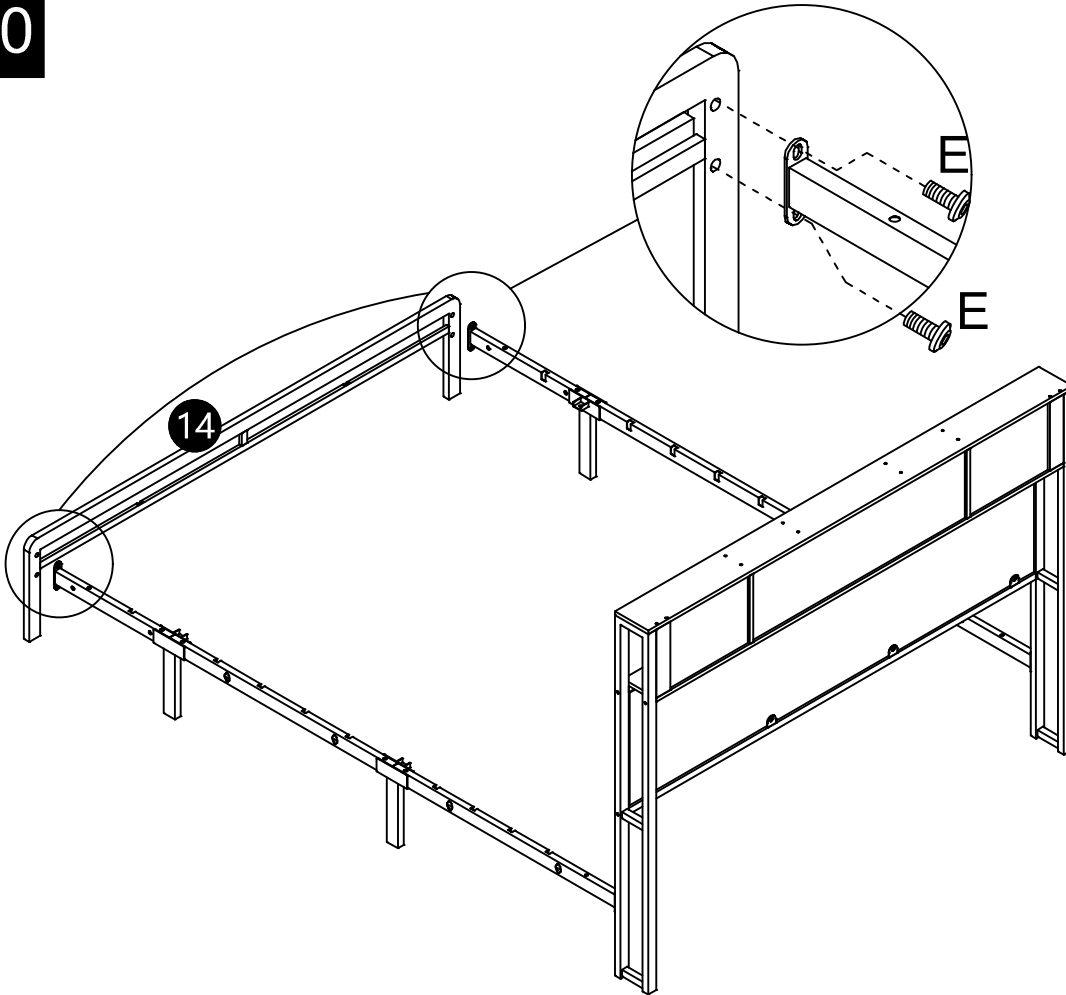
19

E M8\*15  
x4



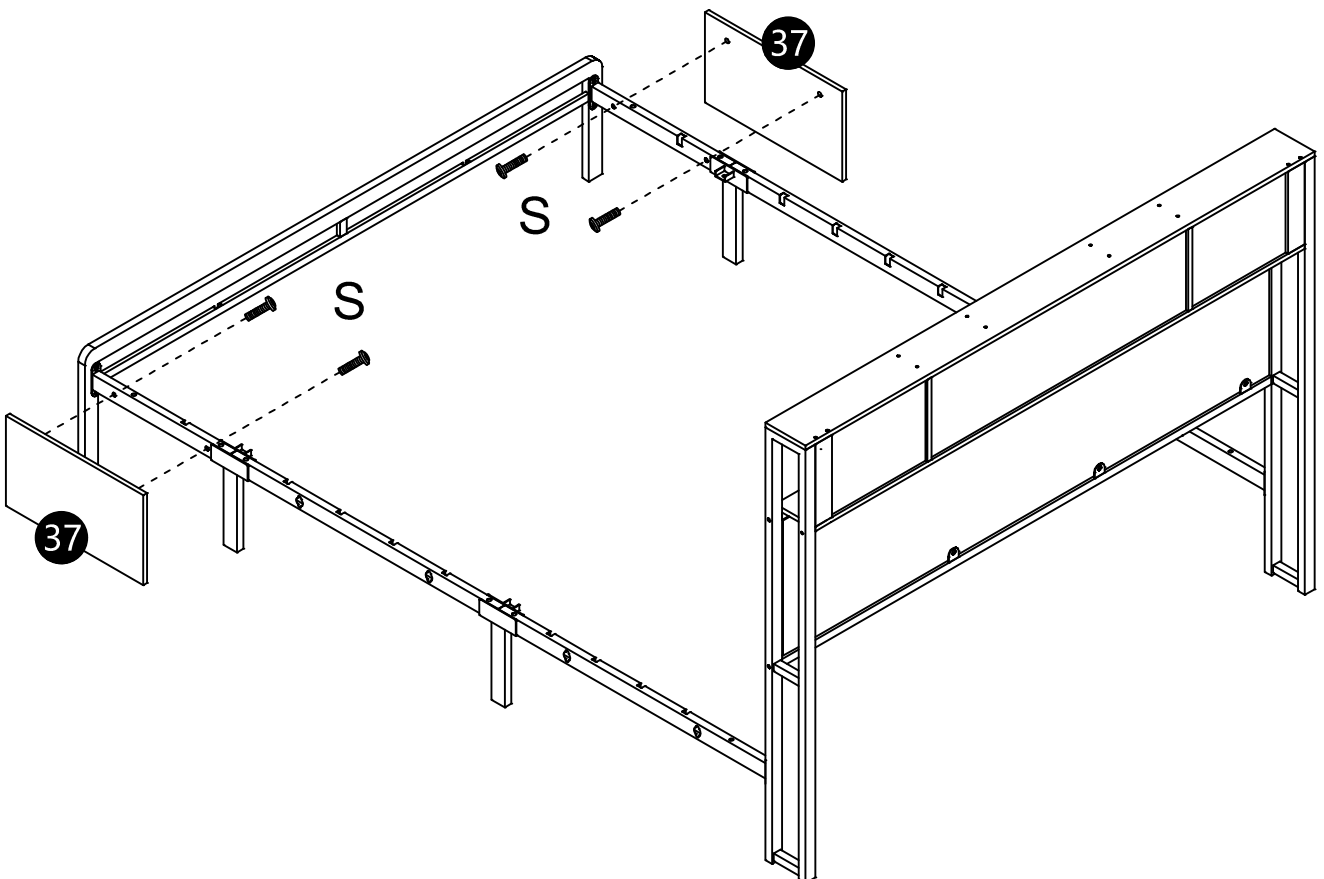
# Assembly Instruction

20



E M8\*15  
x4

21

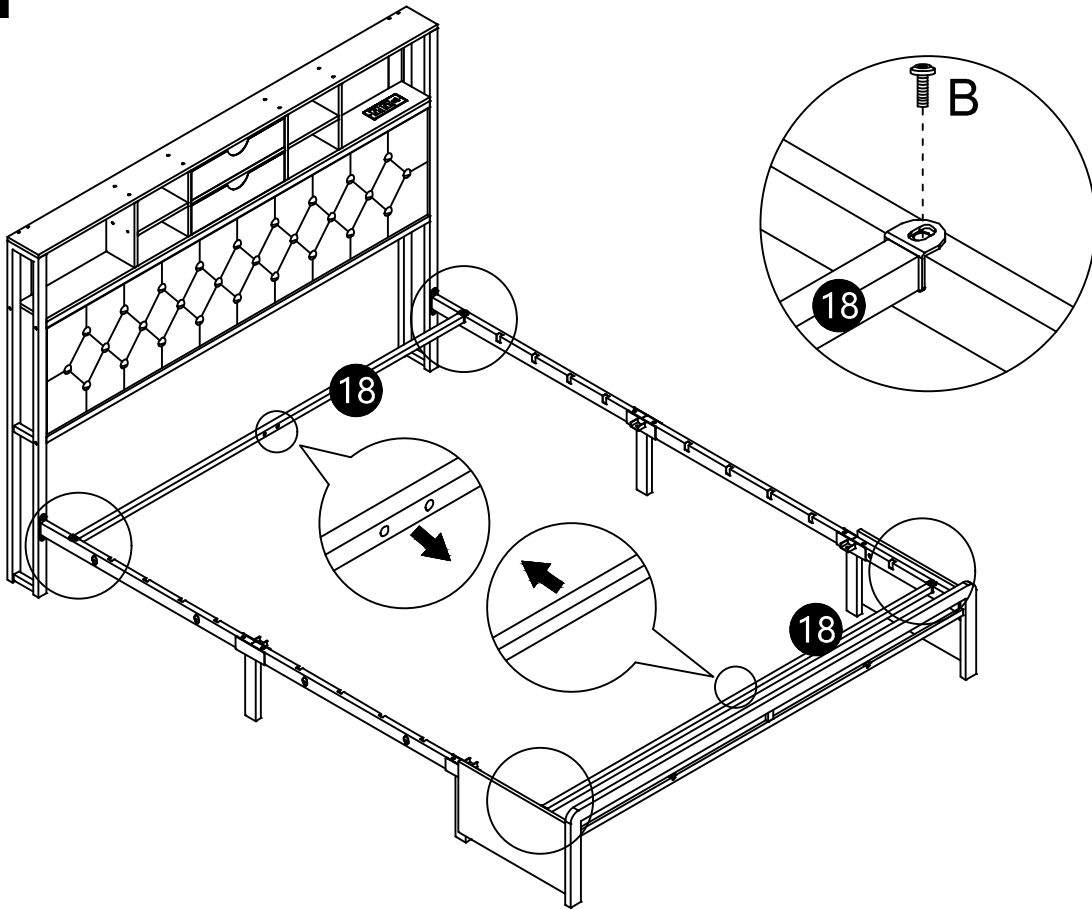


S M8\*30  
x4

# Assembly Instruction

22

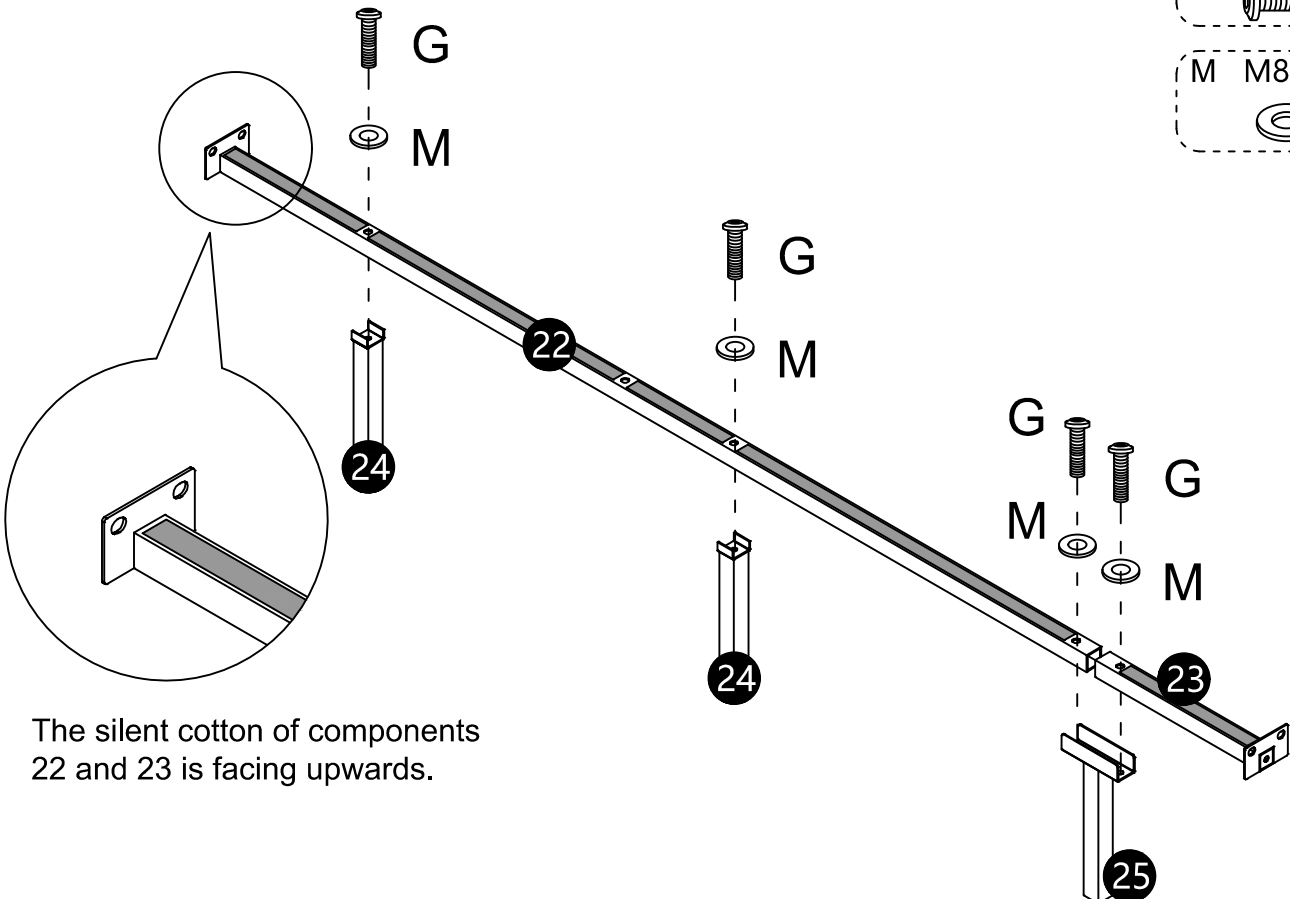
B M6\*20  
x4



23

G M8\*35  
x8

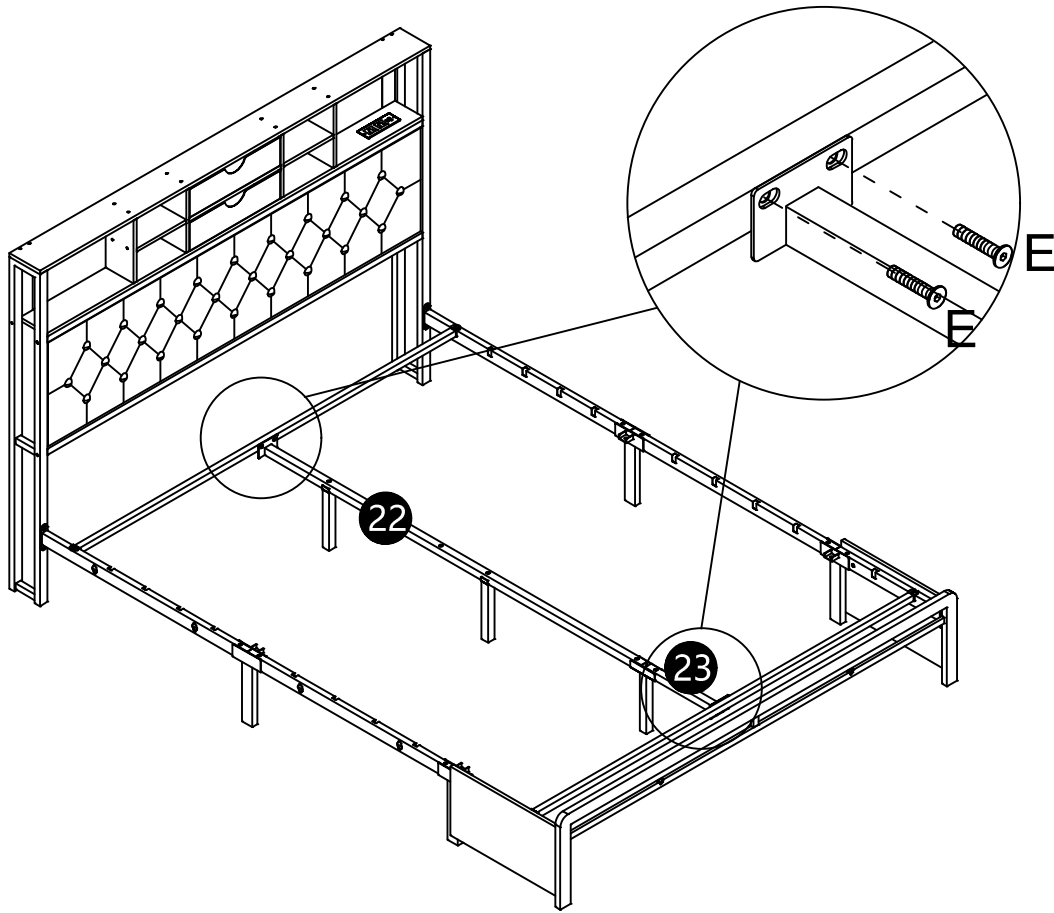
M M8\*φ22  
x8



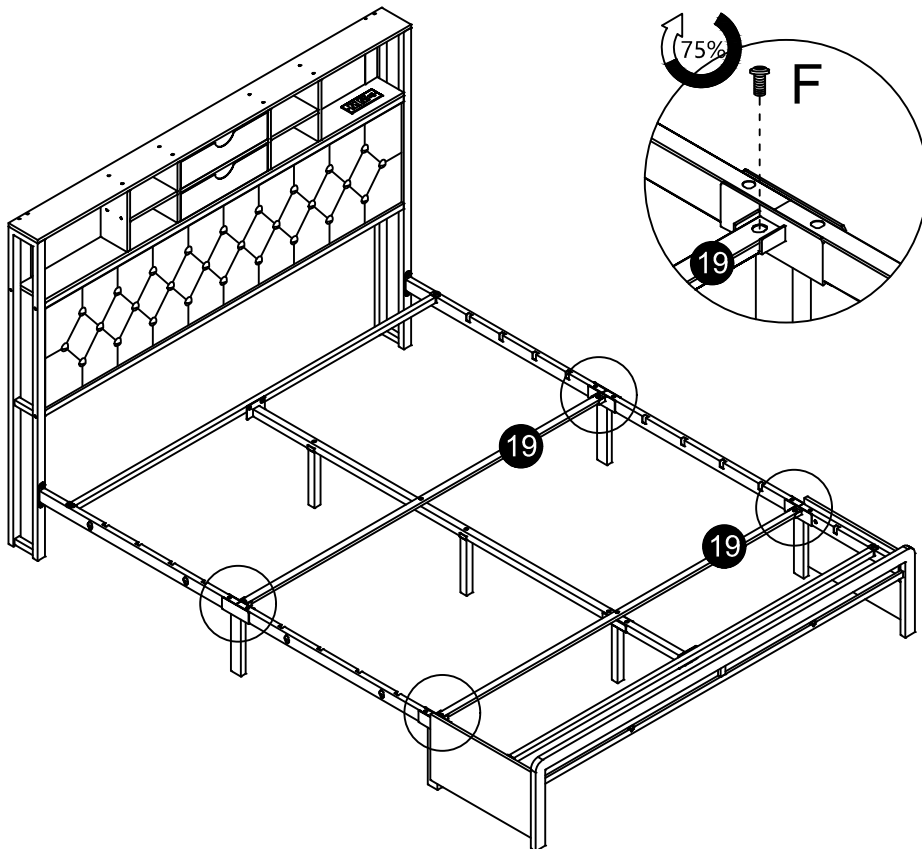
The silent cotton of components 22 and 23 is facing upwards.

# Assembly Instruction

24

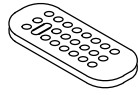


25

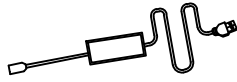




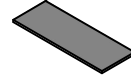
# Assembly Instruction



**32** Remote control  
1PC



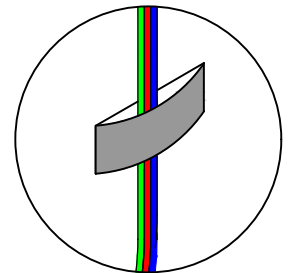
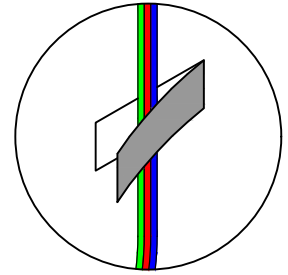
**34** Power cord  
1PC



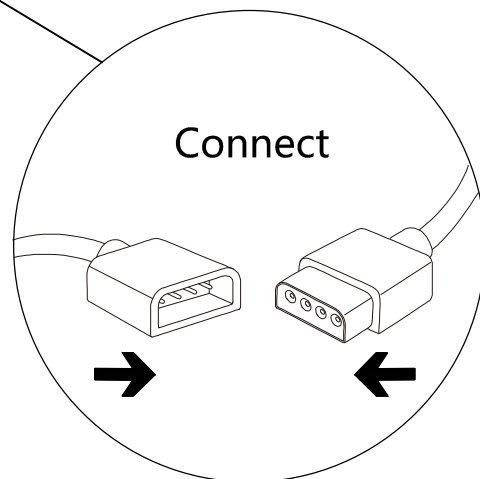
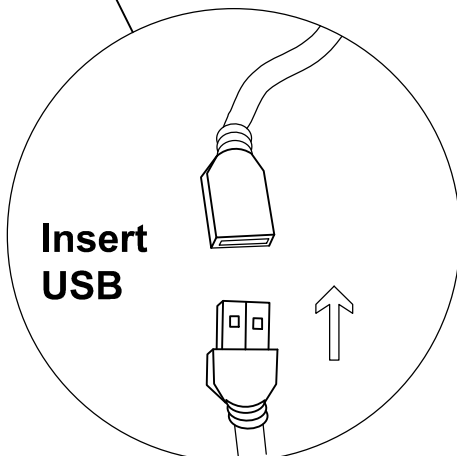
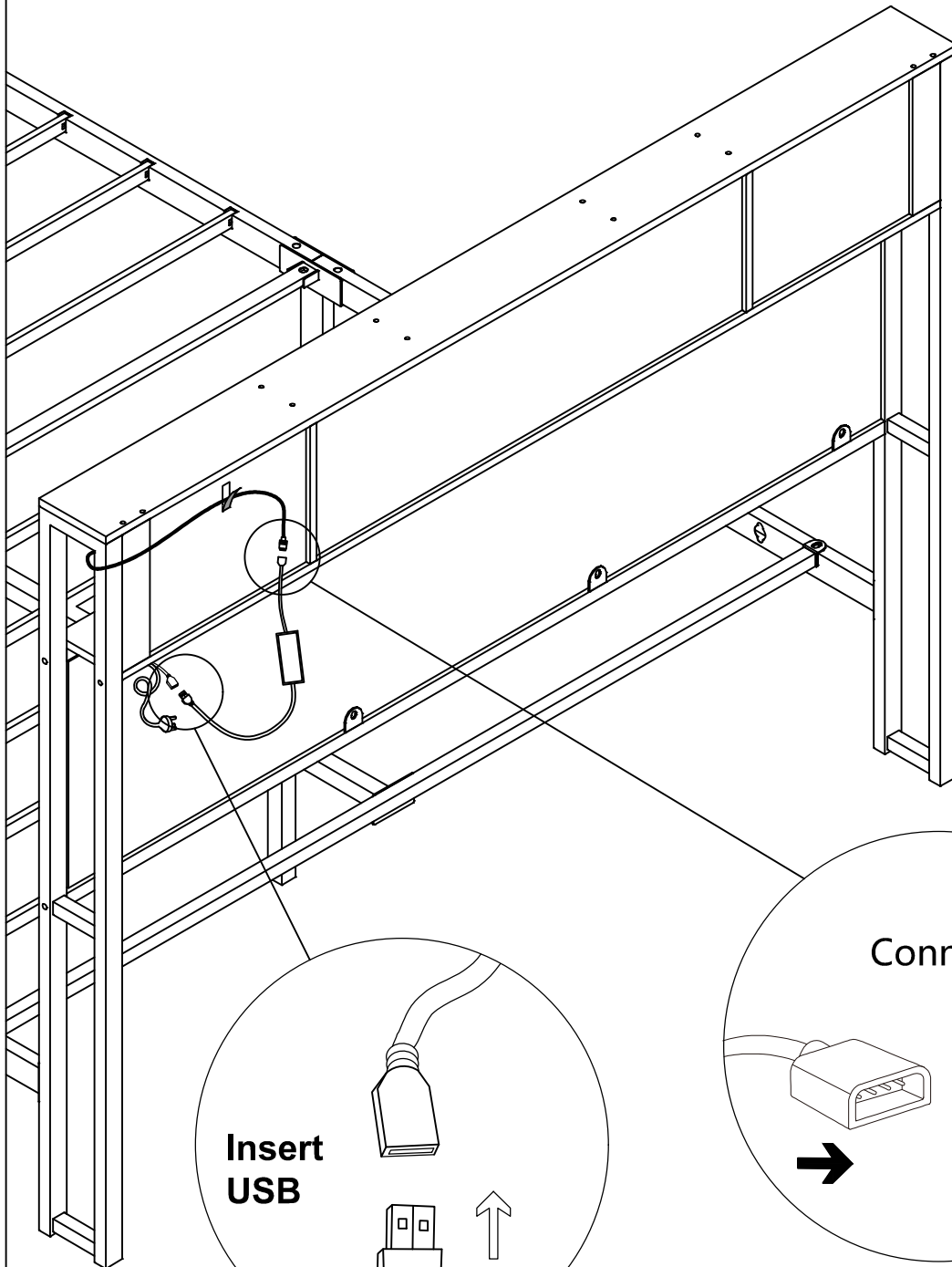
**35** Magic tape  
3PCS

You can use Magic tape to stick the connecting wire of the light strip anywhere.

Clip in the harness  
Magic Band



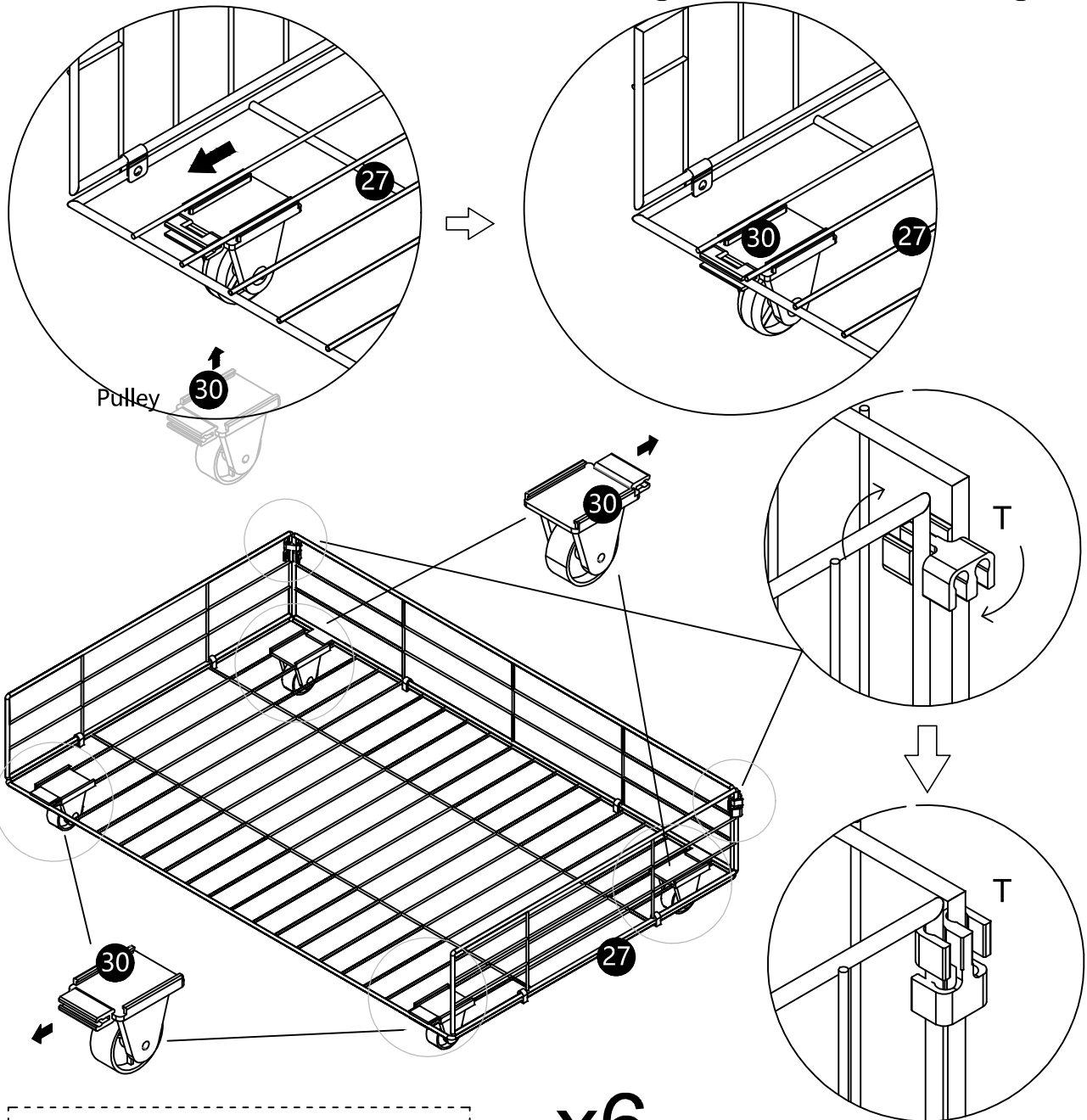
Stick to



# Assembly Instruction

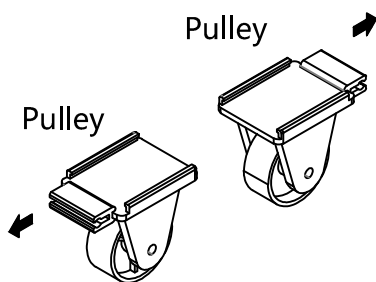
As shown in the figure Clip the pulley into position first

Then push the pulley to the side  
At the same time, clamp the iron wire at the edge. It takes a little strength




x6


**Please note that this drawer base (27) has front and back sides! Please see the instructions clearly before assembling!!!**

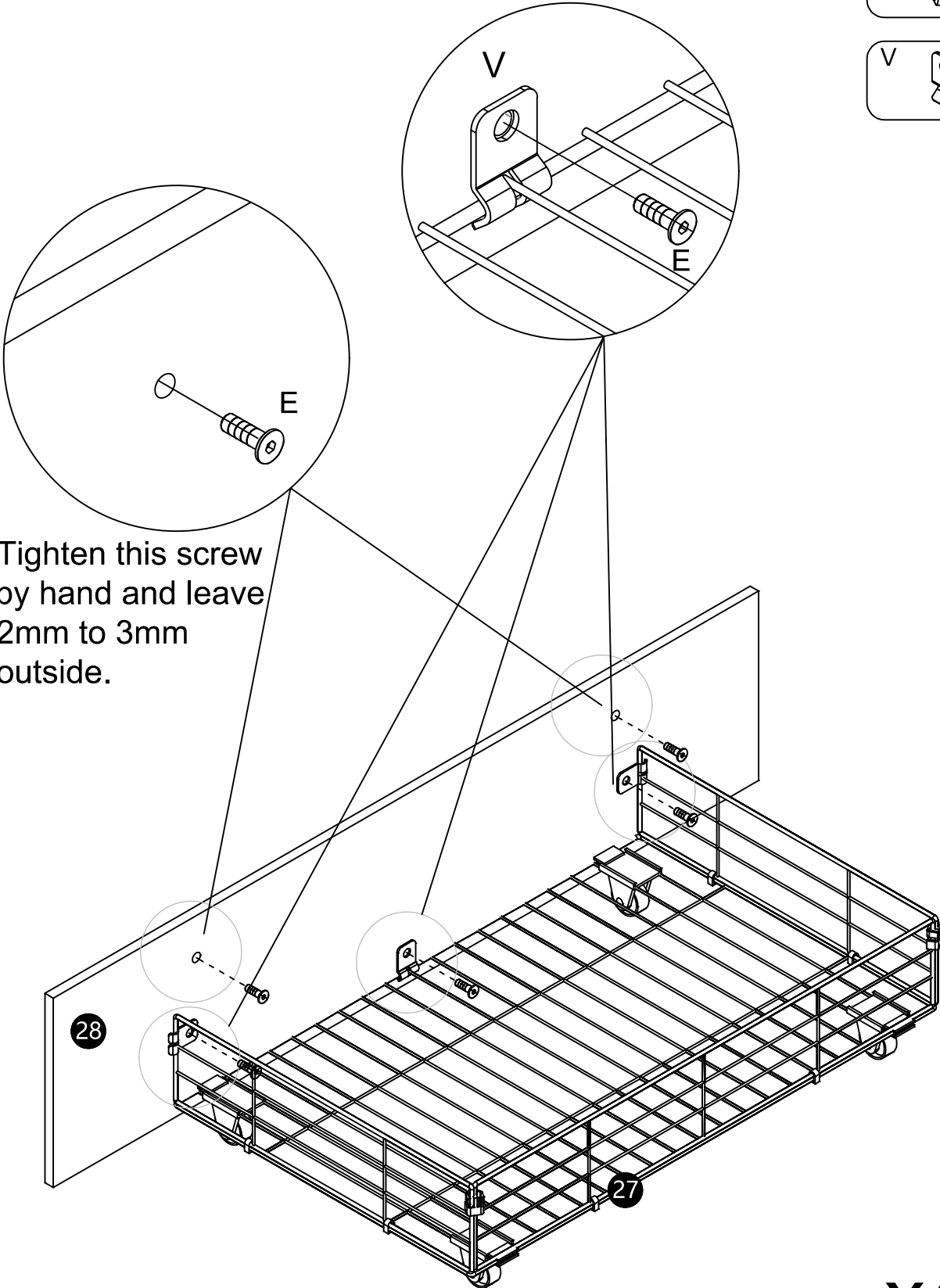


**Pay attention to the orientation before clamping in**

# Assembly Instruction

E M8\*15  
 x20


V  
 x12



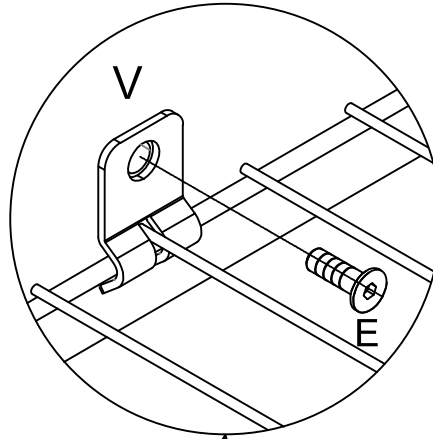
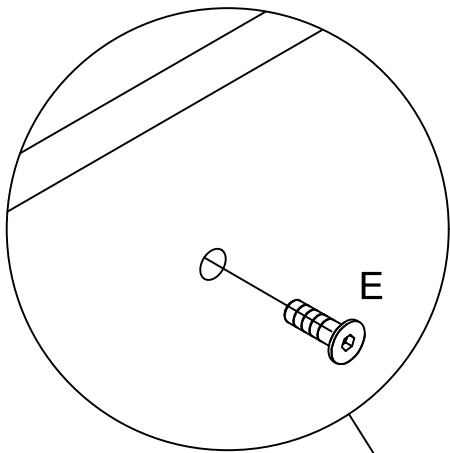
x4

# Assembly Instruction

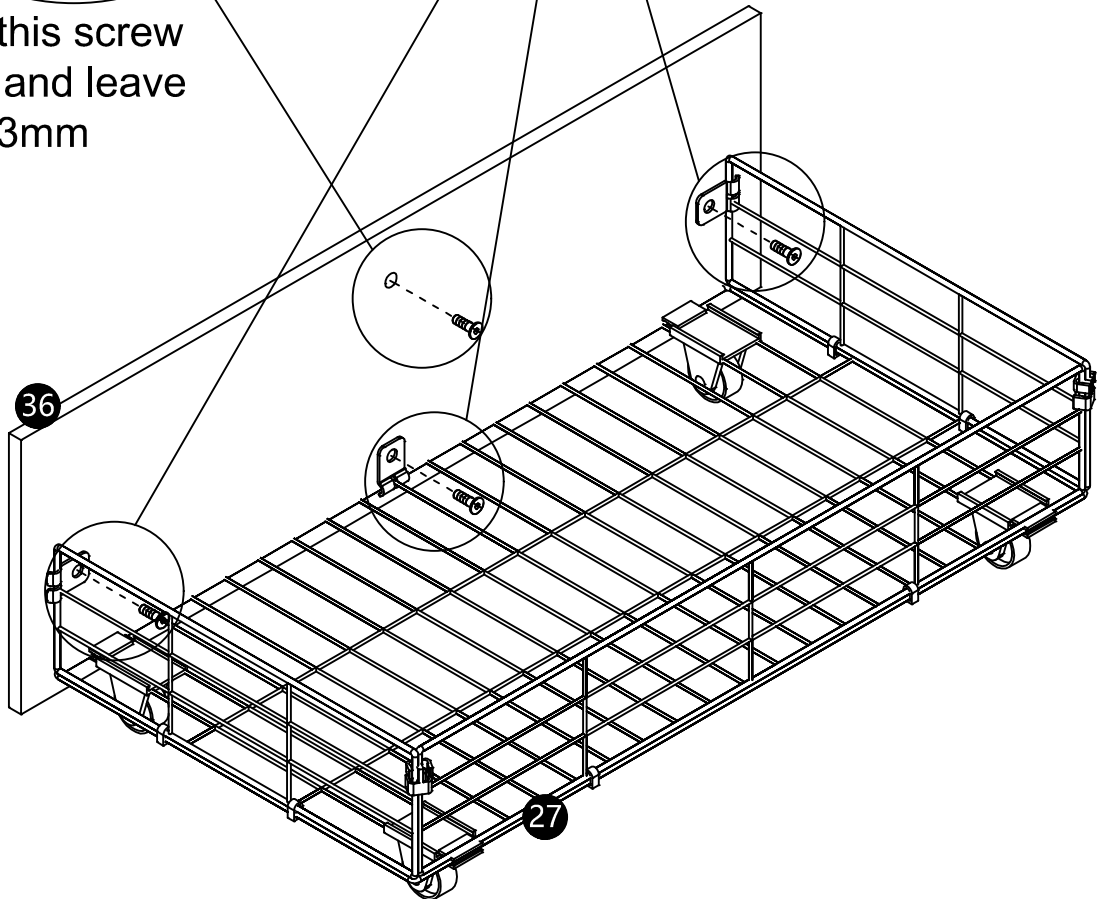
E M8\*15

 x8

V  x6

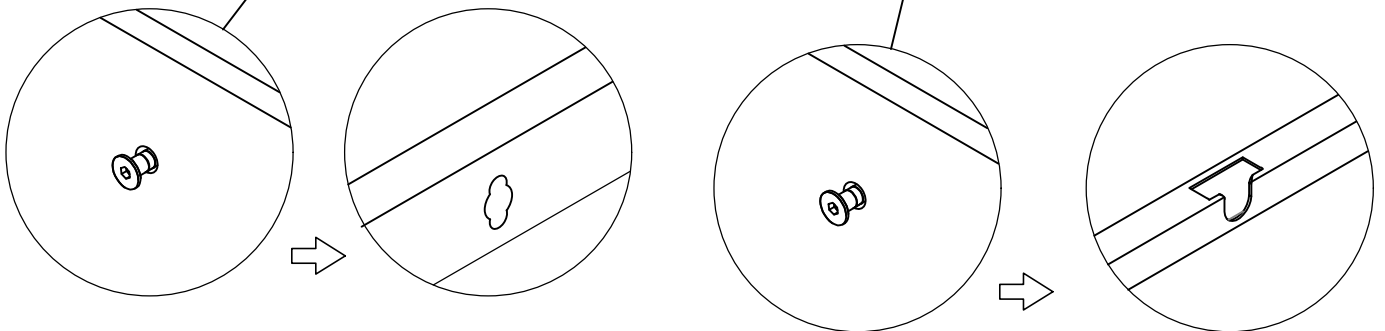
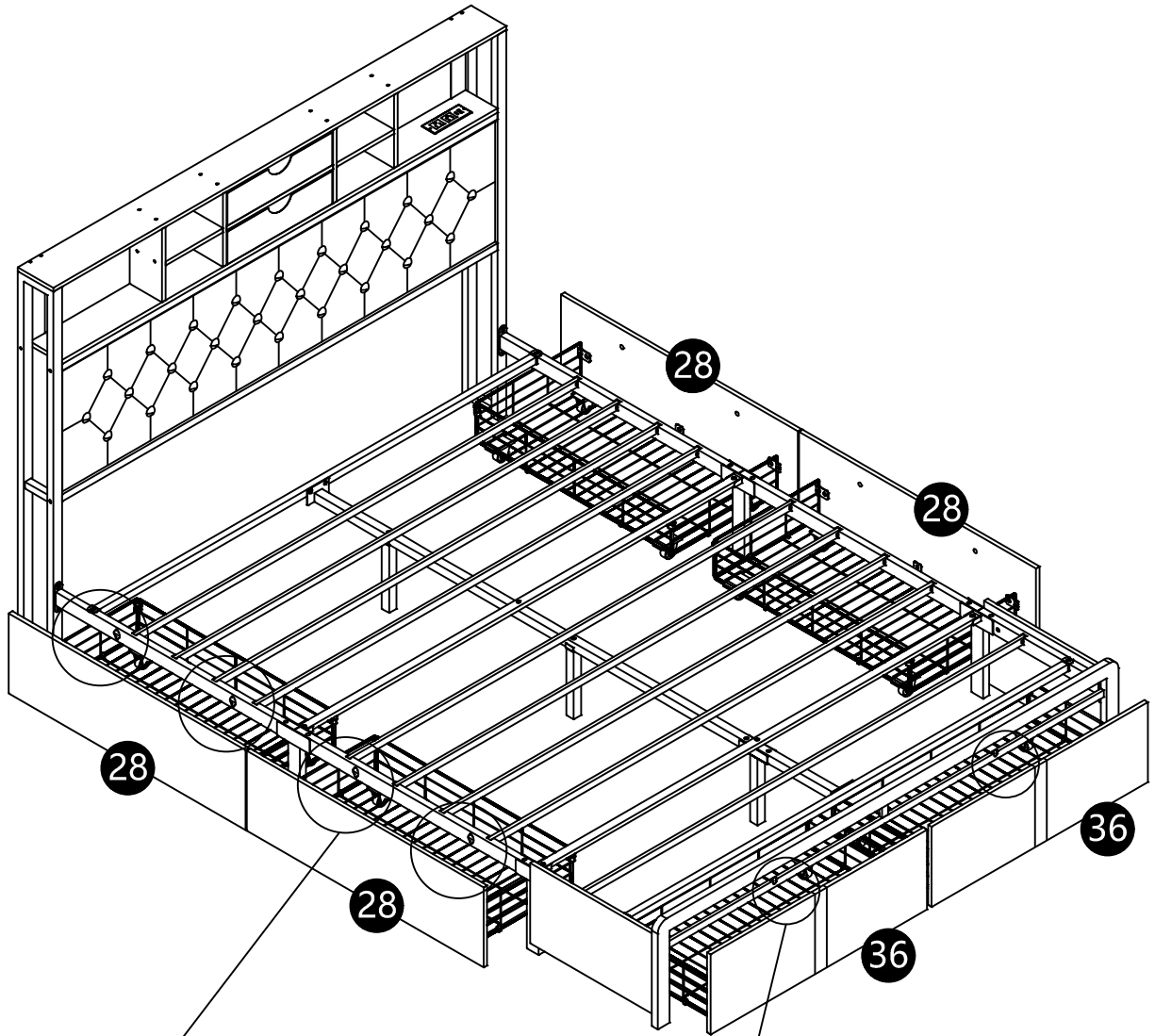


Tighten this screw  
by hand and leave  
2mm to 3mm  
outside.



x2

# Assembly Instruction



**When pushing into the drawer, Lift the drawer gently, Align the screw with the gourd hole and push in**  
**When pulling out the drawer, Lift the drawer gently, Align the screw with the gourd hole, and then pull it out**