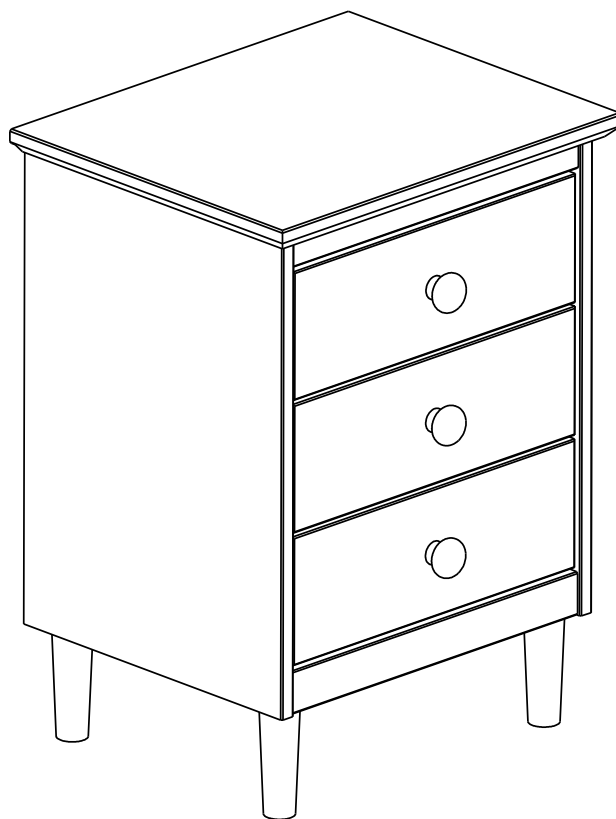
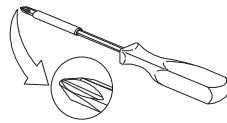
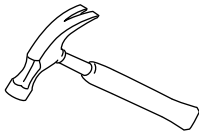


Assembly Instructions

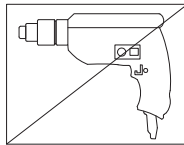


General Assembly Guidelines

- I. Ensure that all parts and hardware are available before beginning assembly.
- II. Follow each step carefully to ensure the proper assembly of this product.
- III. Two people are recommended for ease in the assembly of this product.
- IV. The three main types of hardware used to assemble this product are wood dowels, screws and bolts.
- V. A Phillips head screwdriver and hammer is required for the assembly of this product.



- V I. Power tools should not be used to assemble this product.

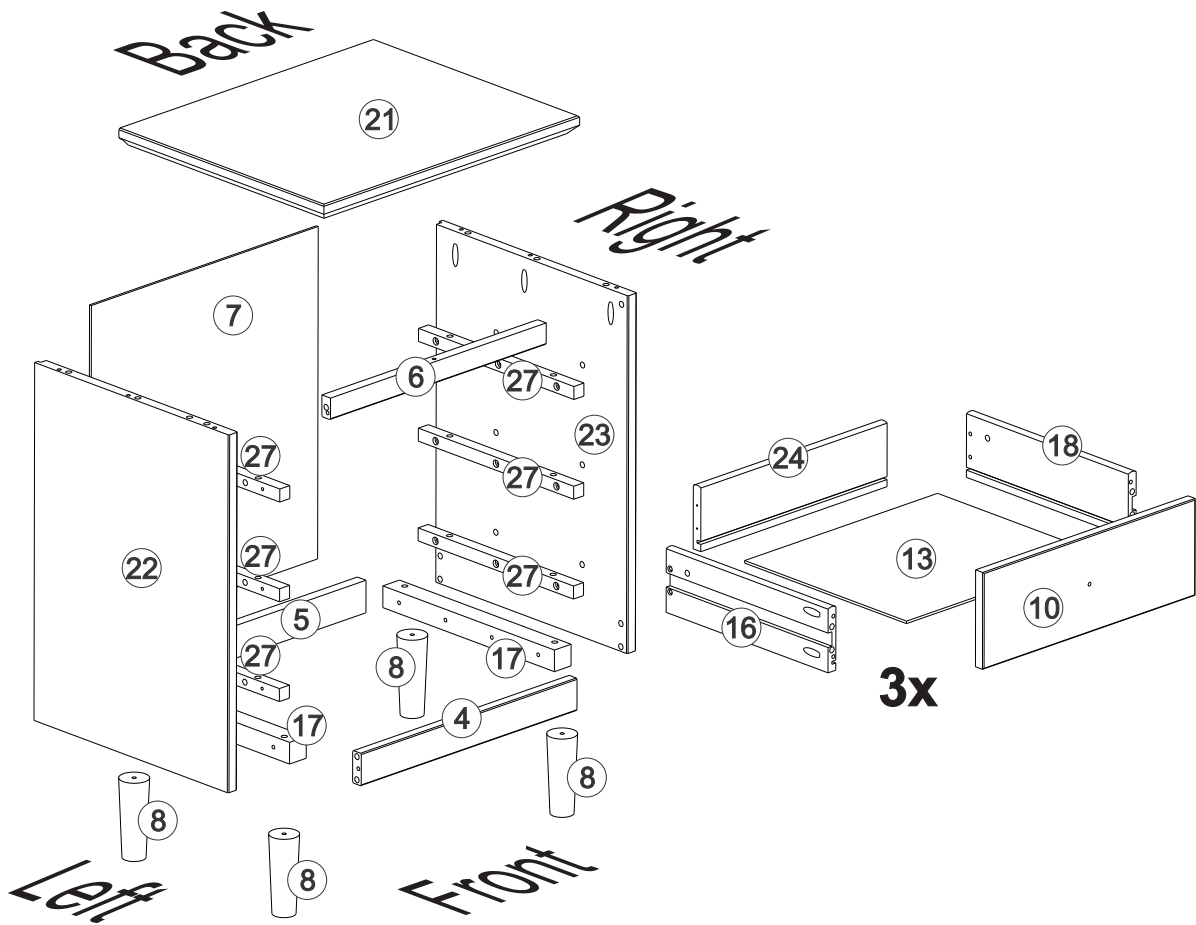


VII. Maintenance Guide

To maintain long term performance and easy gliding of your solid wood drawers, we recommend applying wax to the wooden guide rails.

1. Bee's wax is recommended or Paraffin wax from a standard candle can be used.
2. Apply the wax by rubbing it on the wooden guide rails where there is wood-on-wood contact when opening and closing the drawer. (Wax should be room temperature, do not melt the wax onto the wood)
3. Wax should be applied every few months for the first year and then only when needed after that to keep the drawers sliding smoothly.

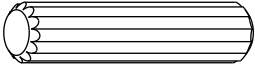
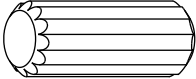


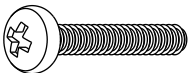

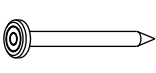

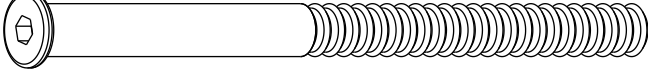

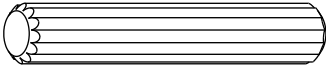
Parts List

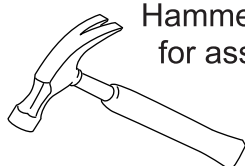


| Part# | Description | Qty |
|-------|------------------------|--------|
| 4 | Bottom front crossbeam | 01 pc |
| 5 | Back crossbeam | 01 pc |
| 6 | Upper front crossbeam | 01 pc |
| 7 | Back panel | 01 pc |
| 8 | Foot | 04 pcs |
| 10 | Front drawer | 03 pcs |
| 13 | Drawer bottom | 03 pcs |
| 16 | Left side drawer | 03 pcs |

| Part# | Description | Qty |
|-------|-------------------|--------|
| 17 | Foot crossbeam | 02 pcs |
| 18 | Right side drawer | 02 pcs |
| 21 | Top panel | 01 pcs |
| 22 | Left side panel | 01 pc |
| 23 | Right side panel | 01 pcs |
| 24 | Drawer back | 03 pc |
| 27 | Drawer runner | 06 pcs |

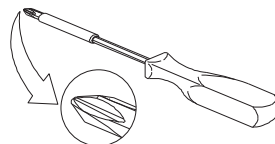
Hardware List

| | | | | |
|---|---|-----------|--------------|--------|
| A |  | Ø8*30mm | Wooden dowel | 35 pcs |
| B |  | Ø10*20mm | Wooden dowel | 12 pcs |
| C |  | Ø4*25mm | Screw | 18 pcs |
| D |  | Ø3,5*30mm | Screw | 37 pcs |
| E |  | M4*22mm | Screw | 03 pcs |
| F |  | Ø4,5*45mm | Screw | 08 pcs |
| G |  | Ø10*10 | Nail | 14 pcs |
| H |  | | Knob | 03 pcs |
| J |  | Ø7*80mm | Screw | 04 pcs |
| K |  | | Allen key | 01 pc |
| L |  | Ø8*40mm | Wooden dowel | 06 pcs |



Hammer recommended
for assembly (not included)

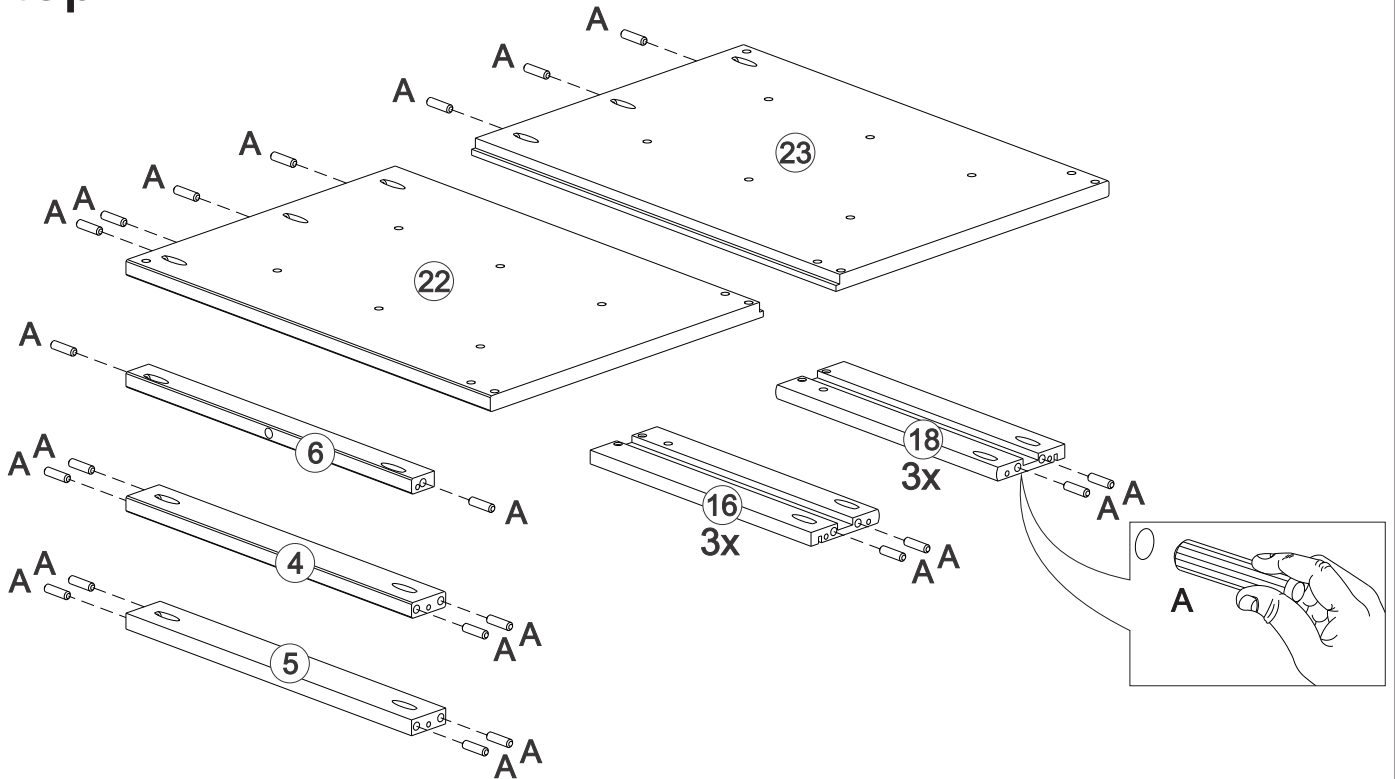
Philips head screwdriver required
for assembly (not included)

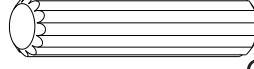


*The hardware quantities listed above are required for proper assembly.
Some extra hardware may also have been included.*

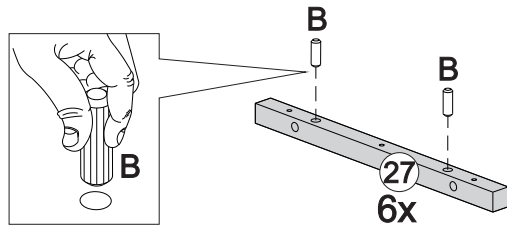
Insert wood dowel (A) into parts 4,5,6,16,18,22, and 23.

Step 1

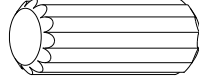


| | | |
|---------|--|----|
| A |  | 29 |
| Ø8*30mm | | |

Step 2



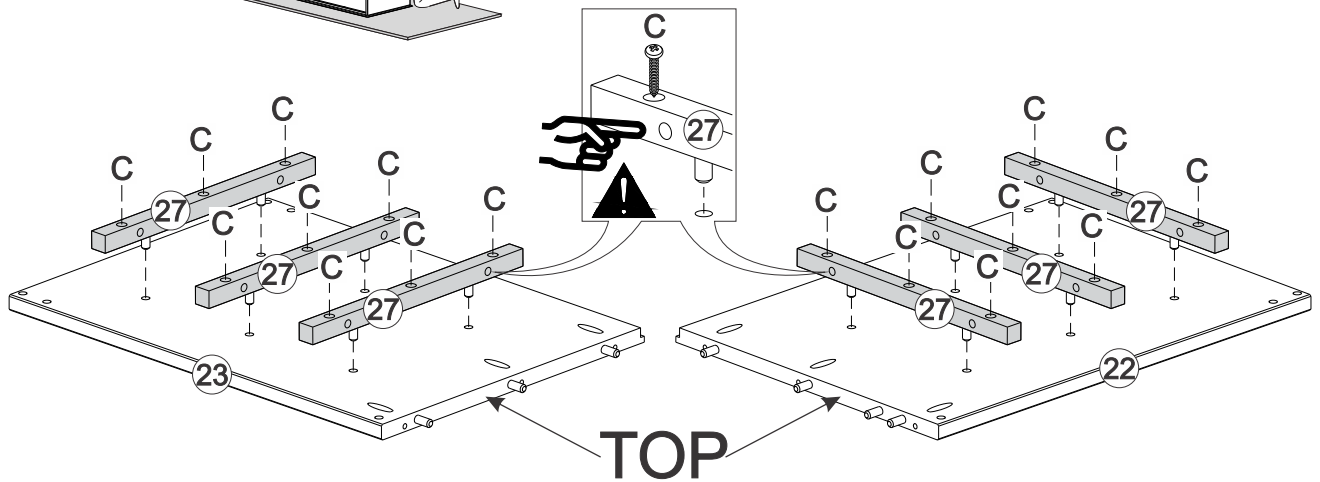
Insert wood dowel (B) into part 27.

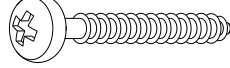
| | | |
|----------|---|----|
| B |  | 12 |
| Ø10*20mm | | |

Step 3



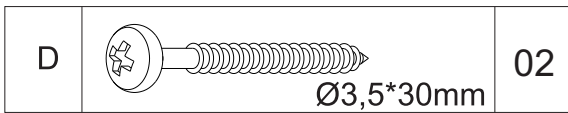
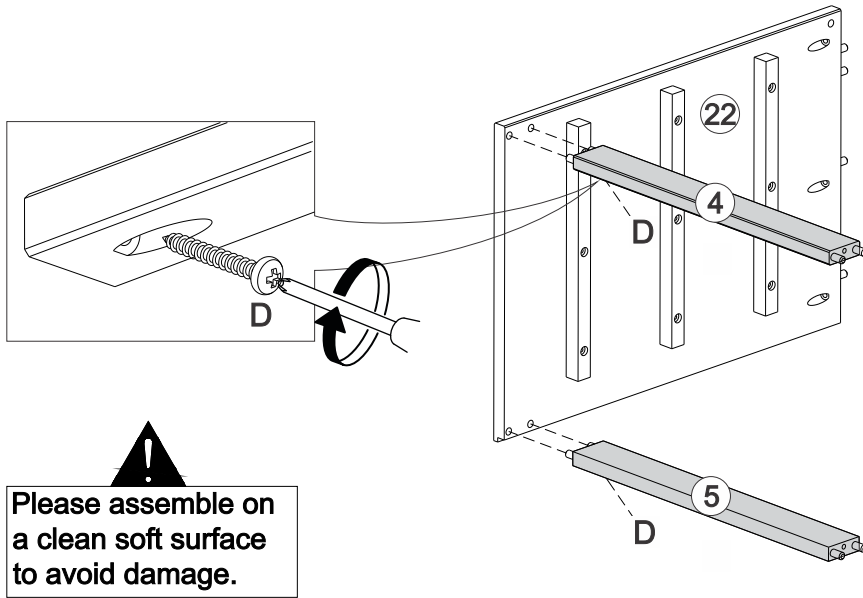
Secure part 27 to parts 22 and 23 with screw (C) using phillips head screwdriver.



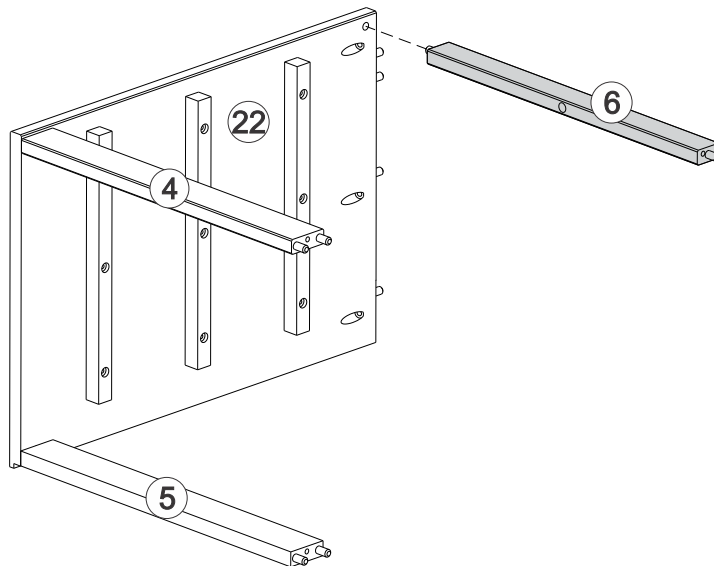
| | | |
|---------|---|----|
| C |  | 18 |
| Ø4*25mm | | |

Step 4

Secure parts 4,5 to part 22 with screw (D) using phillips head screwdriver;(not included)



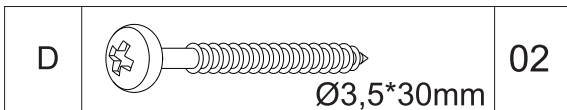
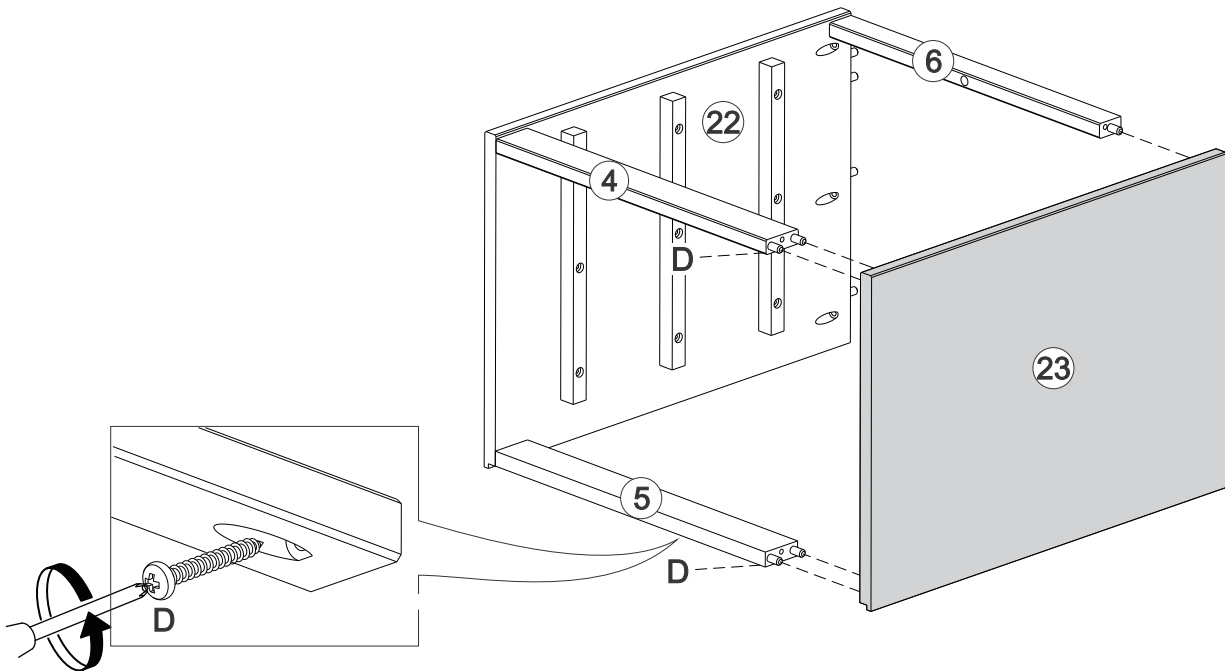
Step 5



Secure part 6 to part 22

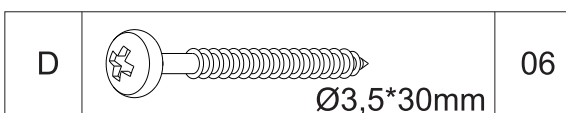
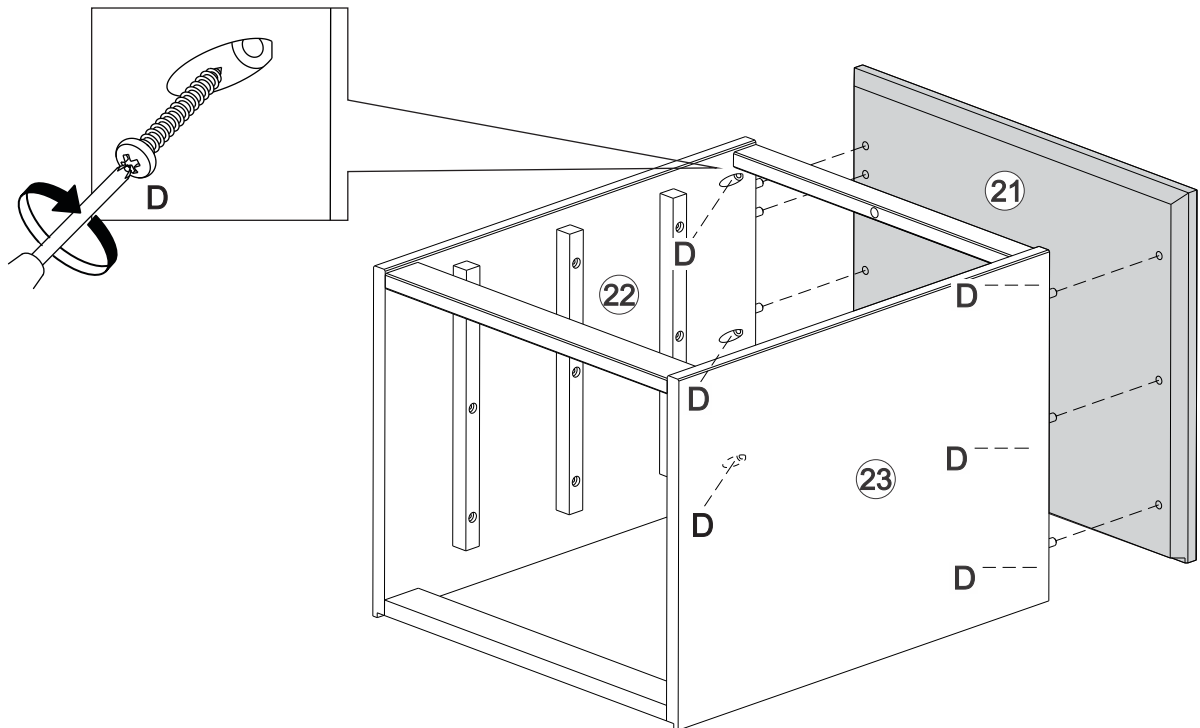
Step 6

Secure part 6 to part 23
Secure part 4,5 to part 23 with
screw (D) using phillips head screwdriver;(not included)



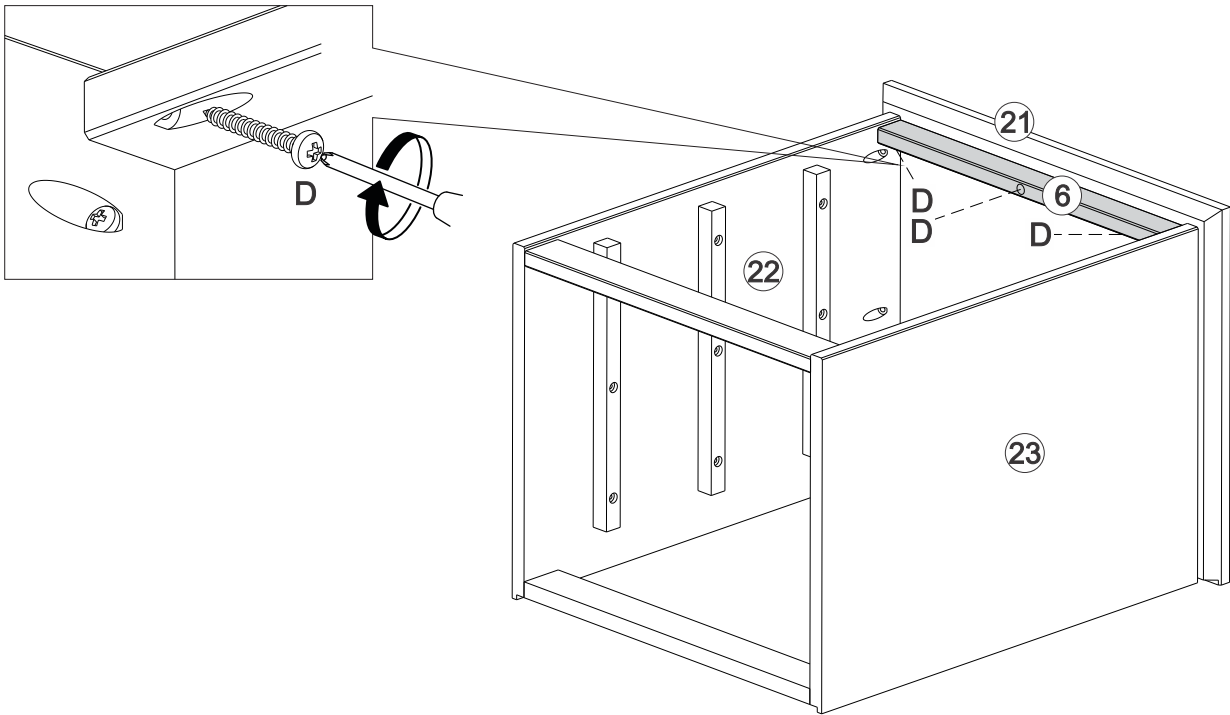
Step 7


Secure part 21 to parts 22 and 23 with
screw (D) using phillips head screwdriver.



Step 8

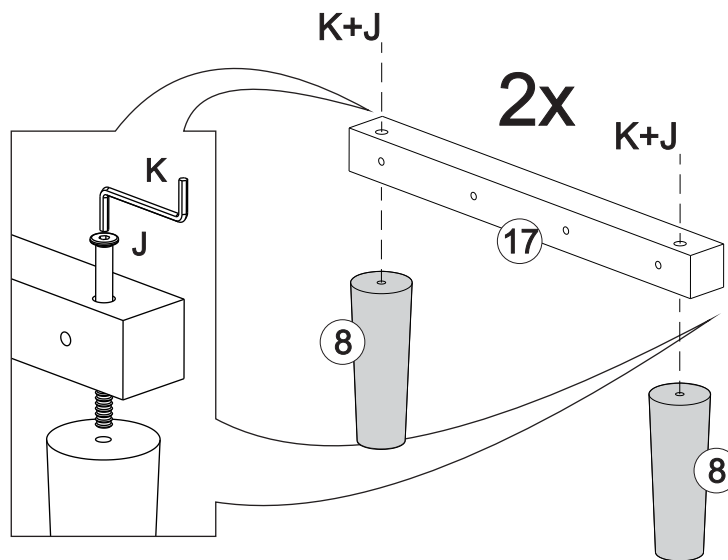
Secure part 6 to parts 21,22 and 23 with screw (D) using phillips head screwdriver.

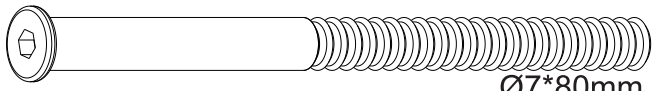
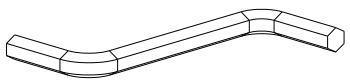


| | | |
|----------------------------------|--|----|
| D |  | 03 |
| $\text{Ø}3,5 \times 30\text{mm}$ | | |

Step 9

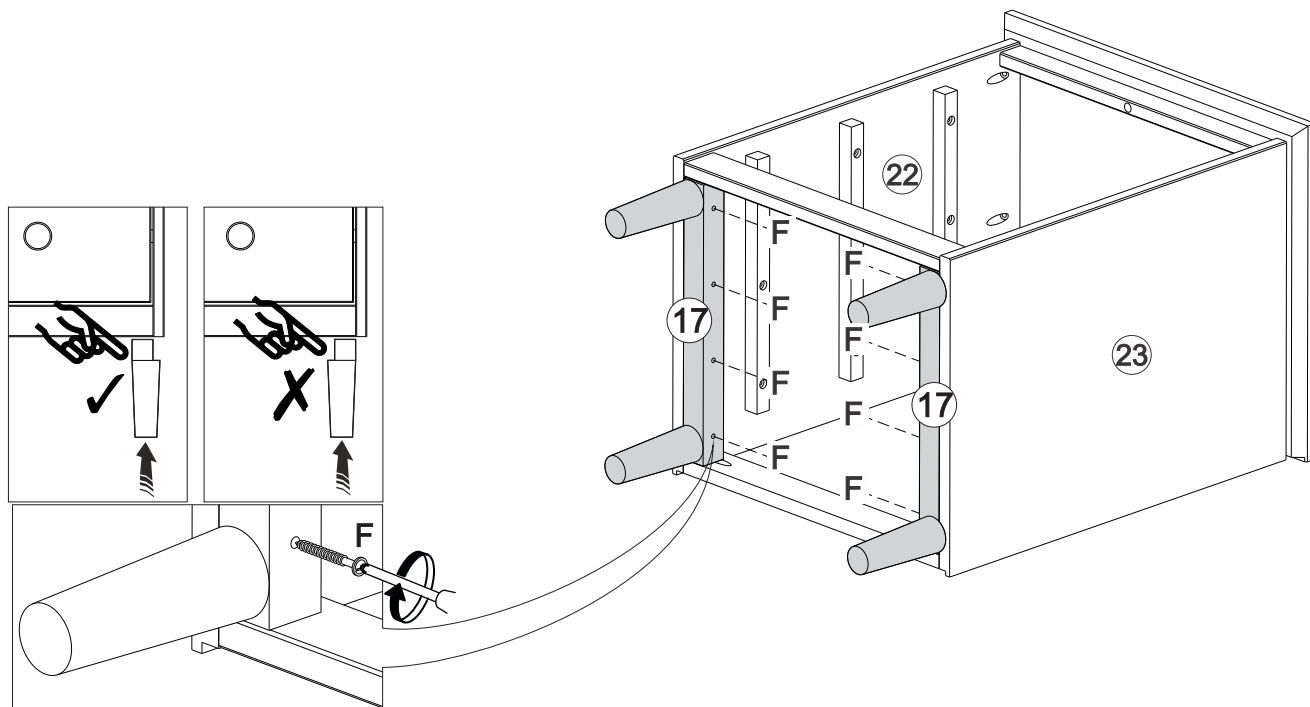
Secure part 8 to part 17 with screw (J) using Hex Key (K).




| | | |
|--------------------------------|---|----|
| J |  | 04 |
| $\text{Ø}7 \times 80\text{mm}$ | | |
| K |  | 01 |

Step 10

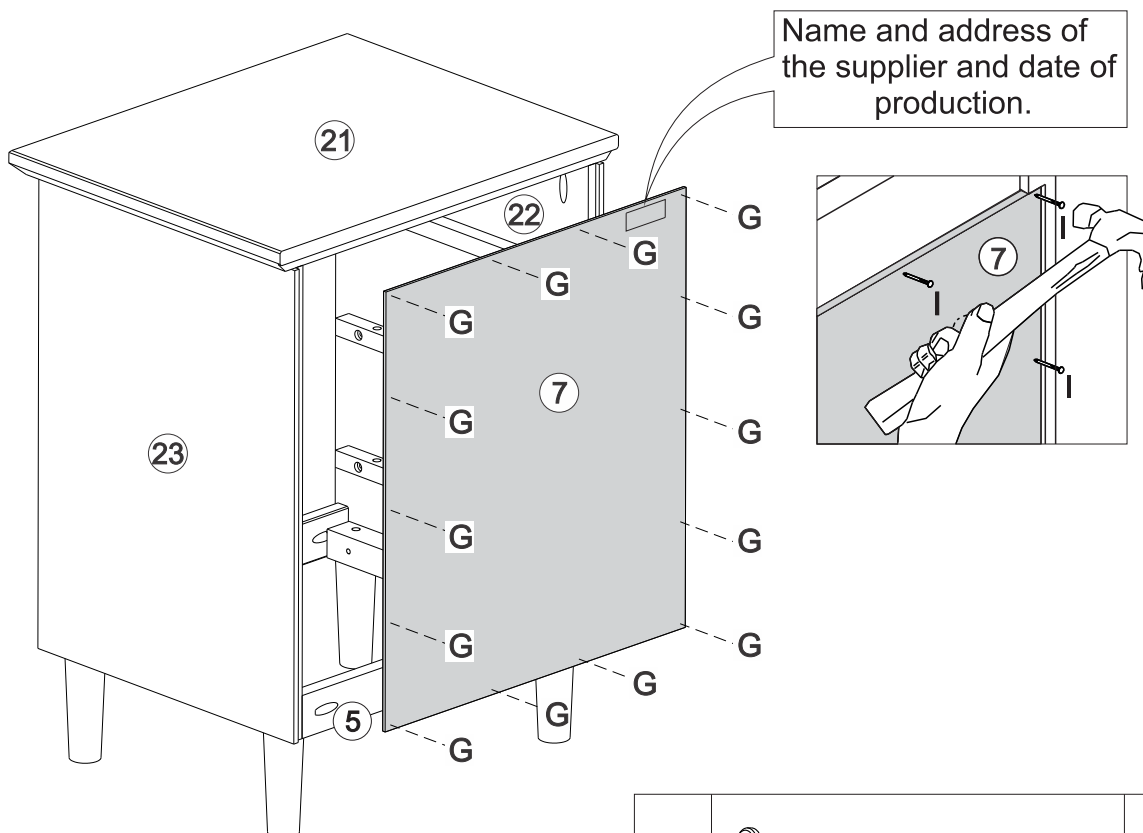
Secure part 17 to parts 22 and 23 with screw (F) using phillips head screwdriver.

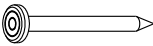


| | | |
|---|--|-----------------|
| F |  | 08 Ø4,5*45mm |
|---|--|-----------------|

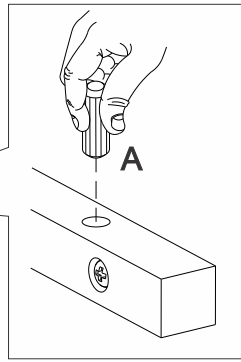
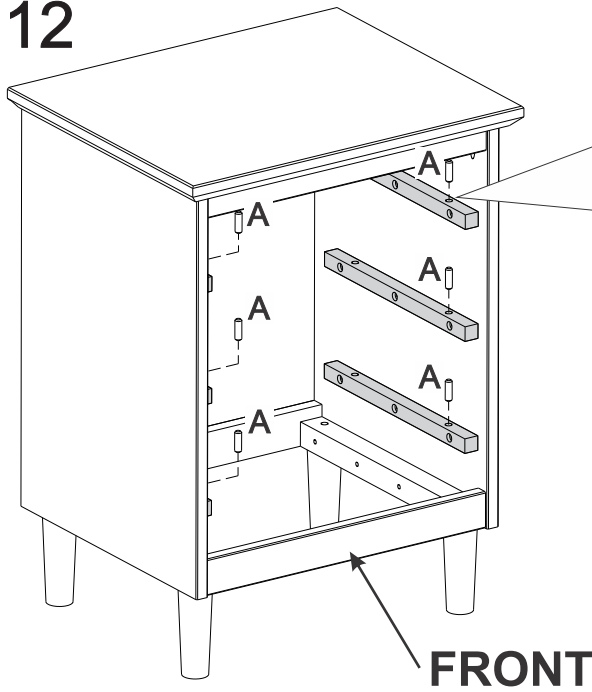
Step 11

Secure part 7 to parts 5,21,22 and 23 with nails (G).



| | | |
|---|---|--------------|
| G |  | 14 Ø10*10 |
|---|---|--------------|

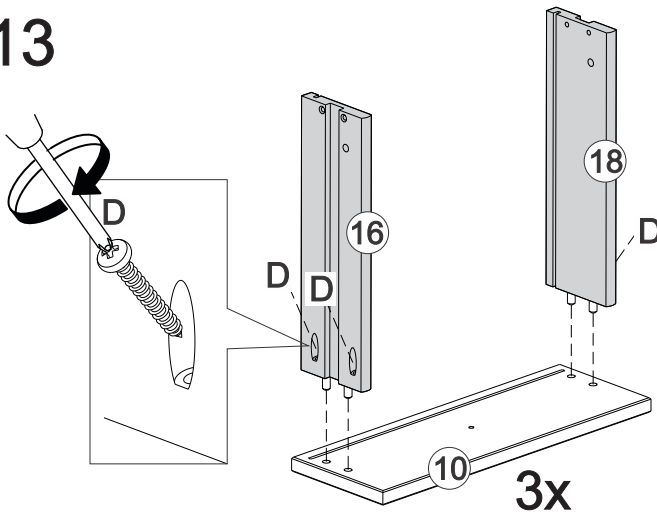
Step 12



Insert wood dowel (A) into the front hole in the drawer runner (27).

| | | |
|--------------------------------|--|----|
| A | | 06 |
| $\text{Ø}8 \times 30\text{mm}$ | | |

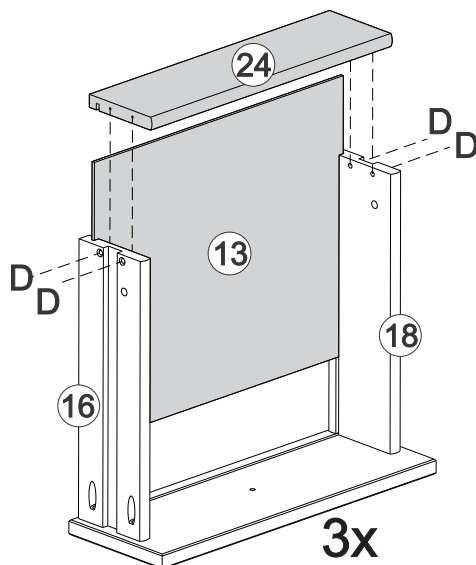
Step 13



Secure part 16 and 18 to part 10 with screw (D) using phillips head screwdriver

| | | |
|----------------------------------|--|----|
| D | | 12 |
| $\text{Ø}3,5 \times 30\text{mm}$ | | |

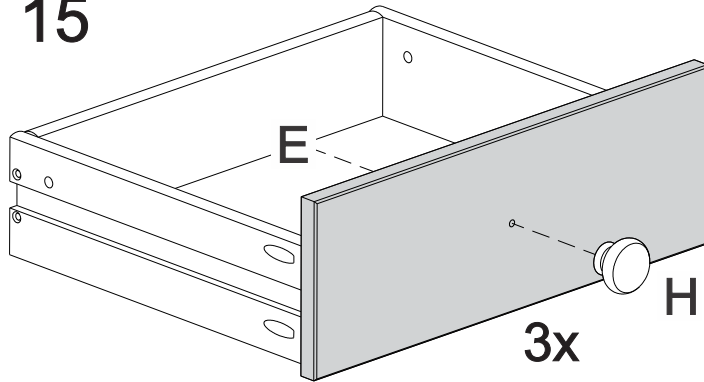
Step 14

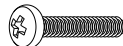



Secure part 13 and 24 to parts 16 and 18 with screw (D) using phillips head screwdriver.

| | | |
|----------------------------------|--|----|
| D | | 12 |
| $\text{Ø}3,5 \times 30\text{mm}$ | | |

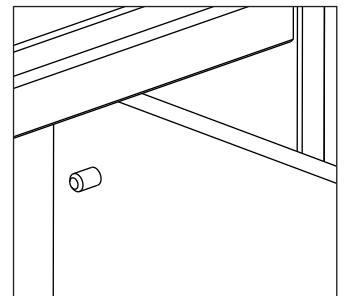
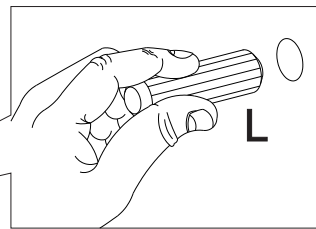
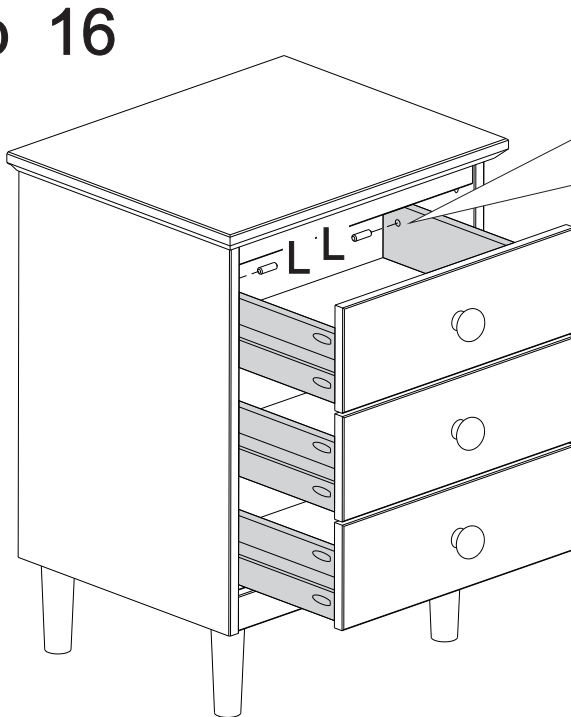
Step 15

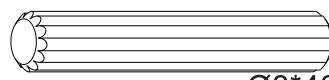


| | | |
|---|---|----|
| E |  M4x22mm | 03 |
| H |  | 03 |

Secure knob (H) with screw (E) using phillips head screwdriver.

Step 16



| | | |
|---|--|----|
| P |  Ø8*40mm | 06 |
|---|--|----|

Insert wood dowel (P) on the inside of all drawers, with the drawer inside the unit, after having passed the wood dowel that is in the drawer slide. The dowel is not flush with the panel, it is a little inside the drawer to help when you need to remove the lock dowel to remove the drawer.

Step 17



Assembly Complete!