

See and Store Center Natural Assembly Instructions

For ages 3 and up. Adult assembly required.

⚠ WARNING

Small parts and sharp points may be present prior to assembly.

Care Instructions

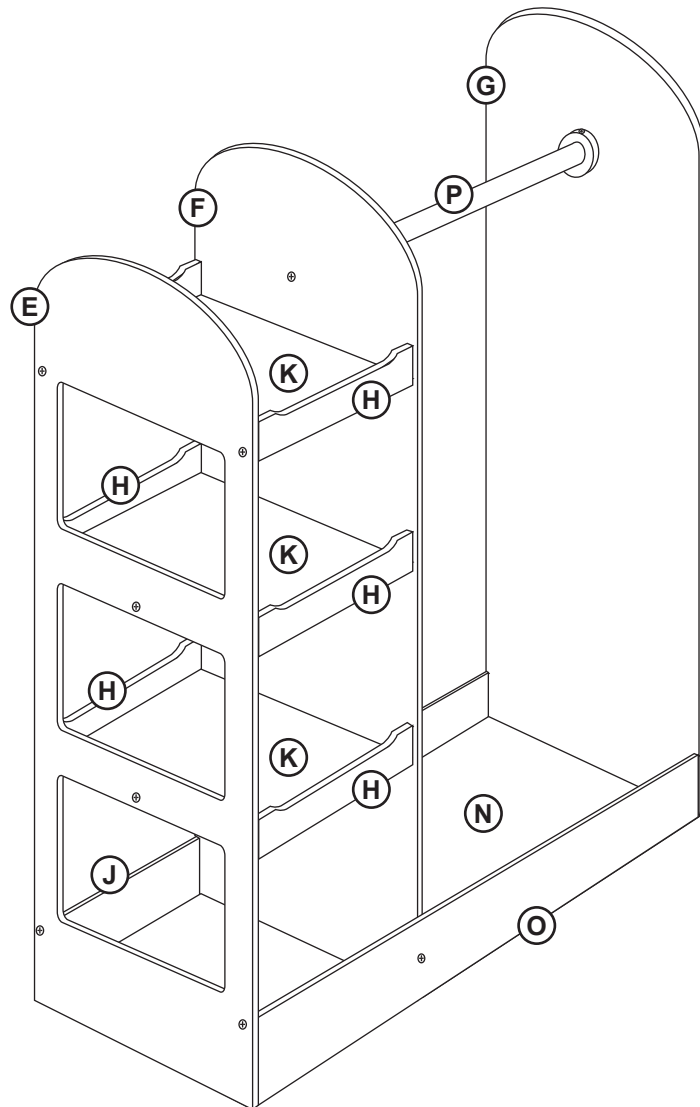
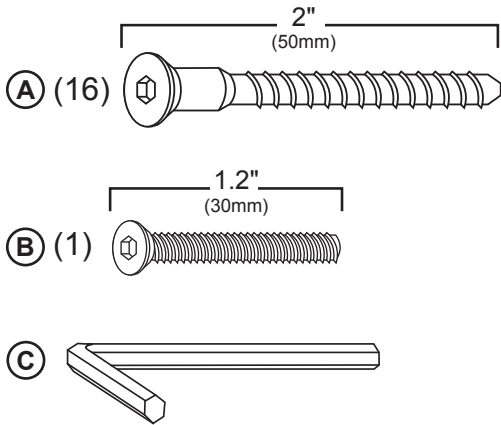
To clean your product, use mild soap and water on a damp cloth. Do not use window cleaners or cleaning abrasives as they will scratch the surface and could damage the protective coating.

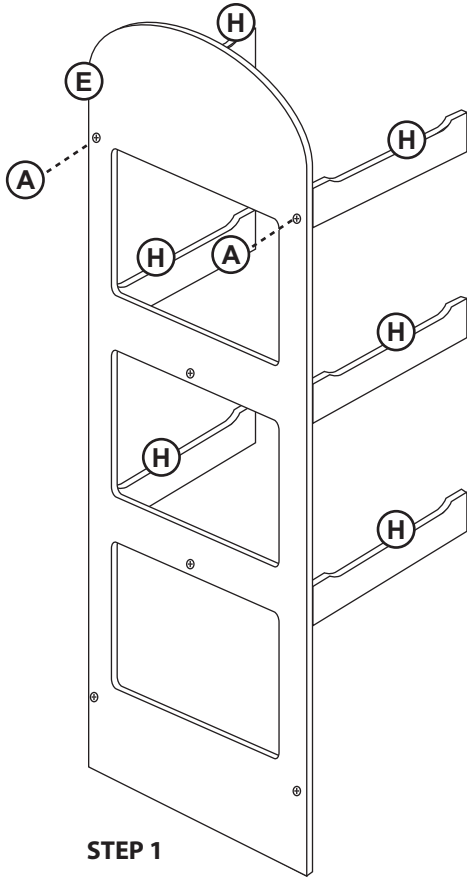
Customer Service

For questions regarding this product, or to receive replacement or missing parts, contact Customer Service. Please have the model number and part number(s) located in this Assembly Instruction sheet available for reference.

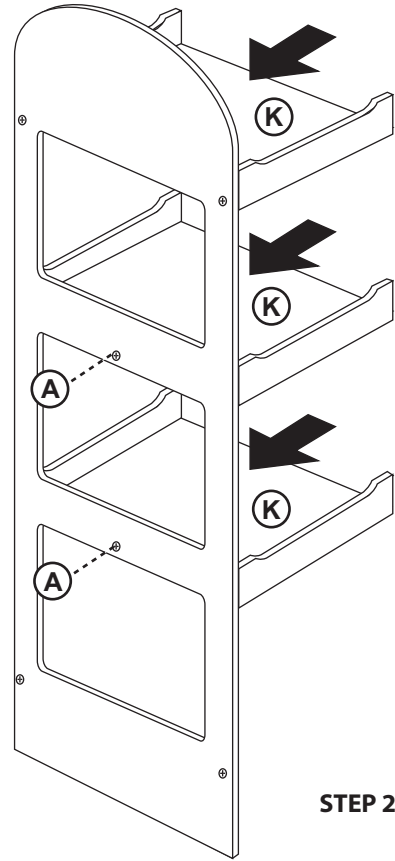
Limited Warranty

Hardware and Parts

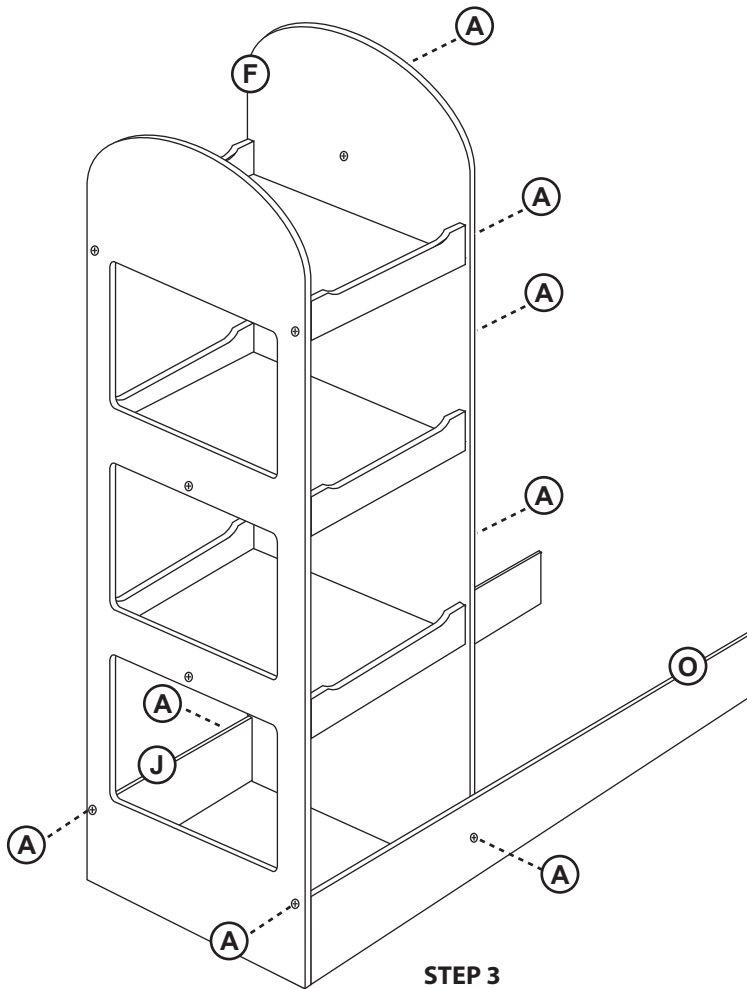




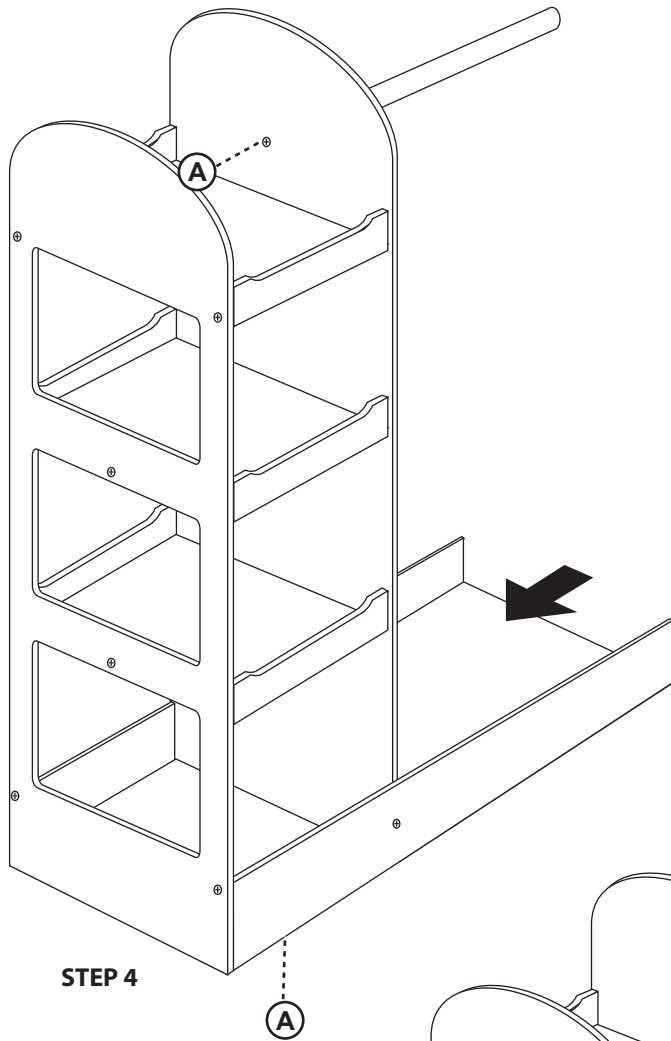
STEP 1



STEP 2



STEP 3

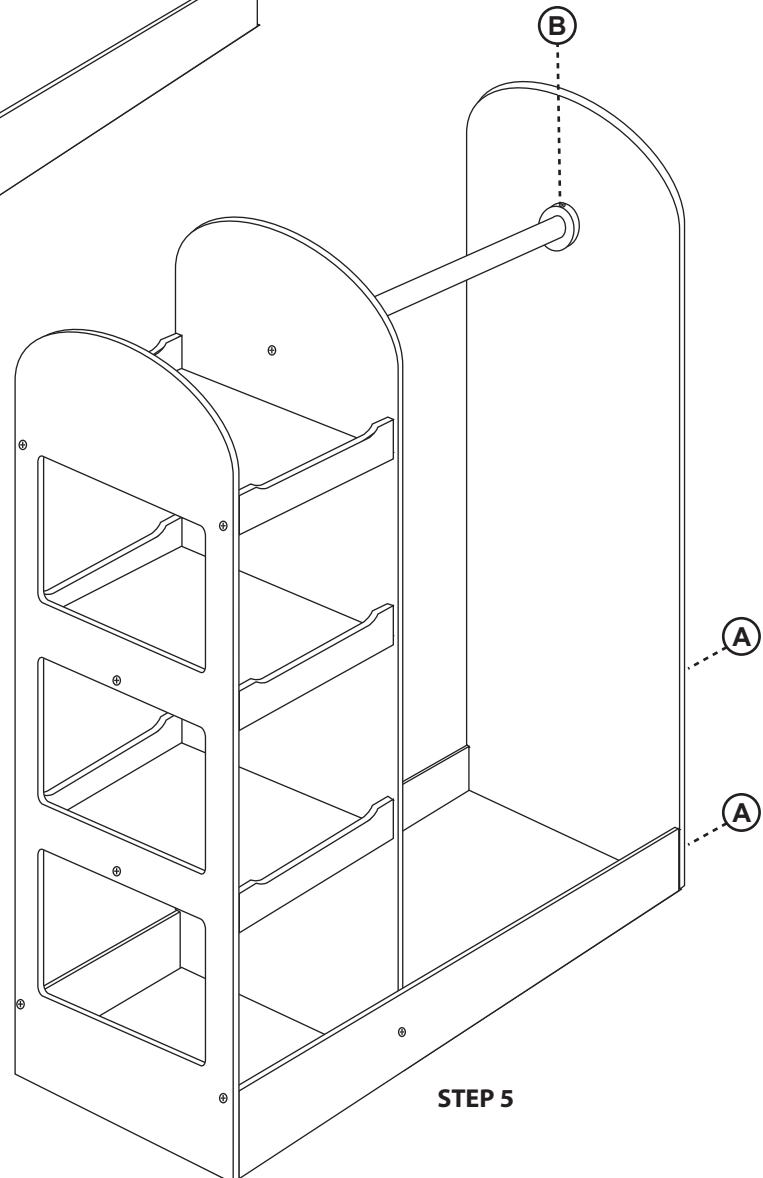


STEP 4

Helpful Tip

ACRYLIC MIRROR CLEANING INSTRUCTIONS

To clean the mirror, use a mild soap and water mixture with a gentle cleaning cloth and paper towel. Do not use ammonia based cleaning solutions or abrasives on the acrylic as they will cause discoloration and cracking.



STEP 5