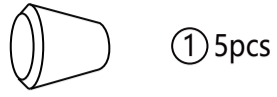


Assemble Instruction

Attention : Do not tighten the screws until you have complete setup assembly.



① 5pcs



② 5pcs



③ 6pcs



④ 16pcs



⑤ 4pcs



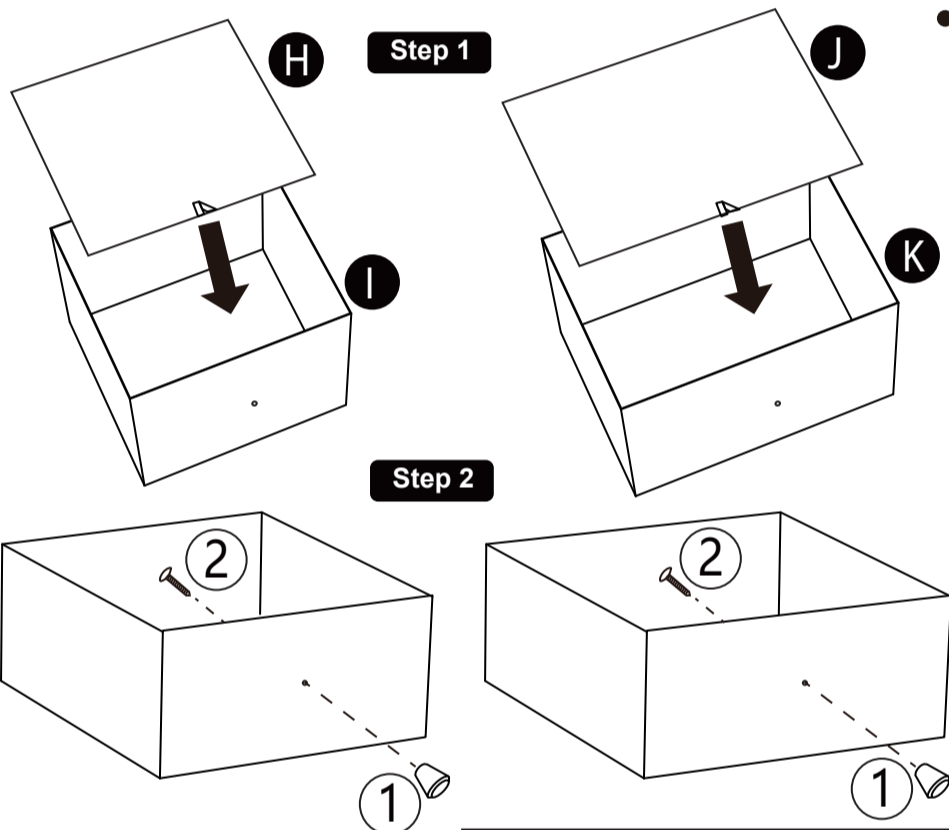
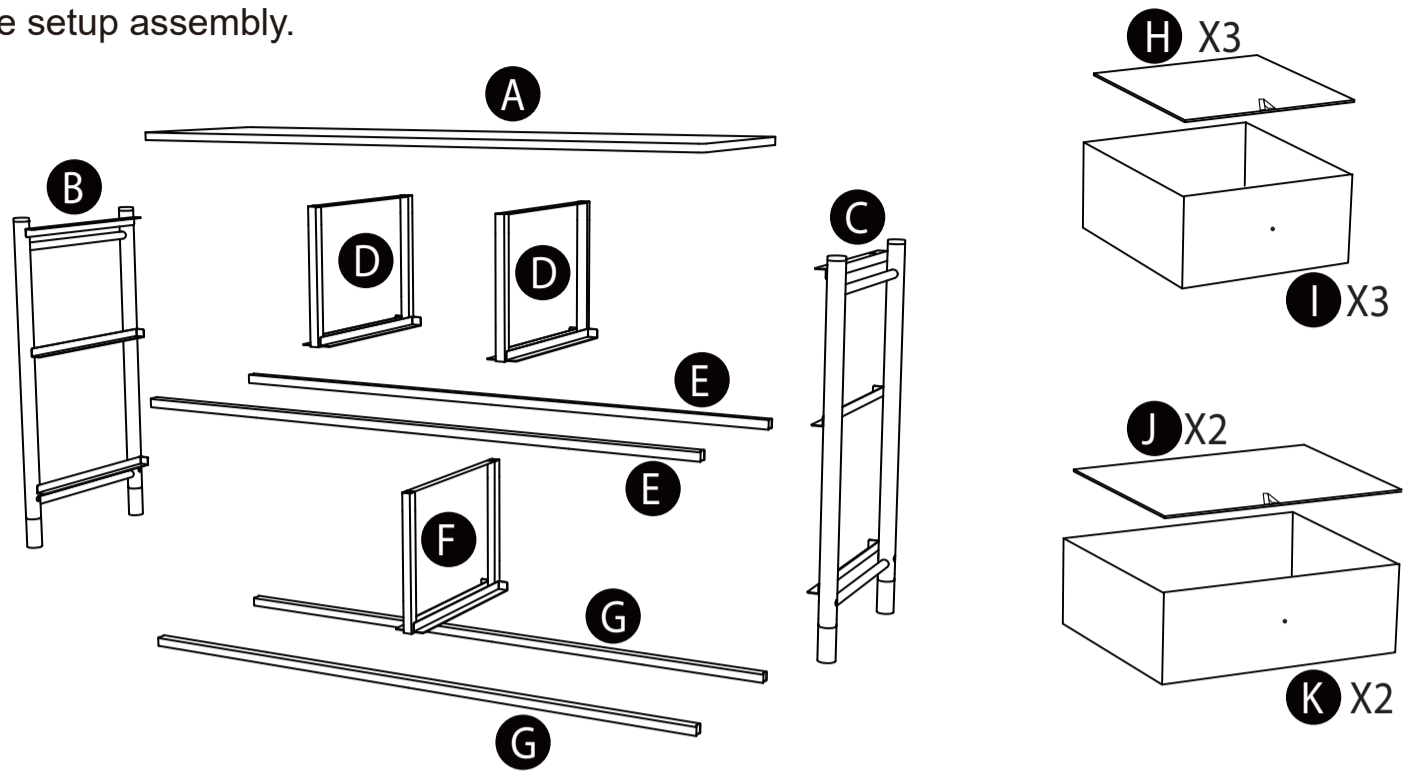
⑥ 2pcs



⑦ 2pcs

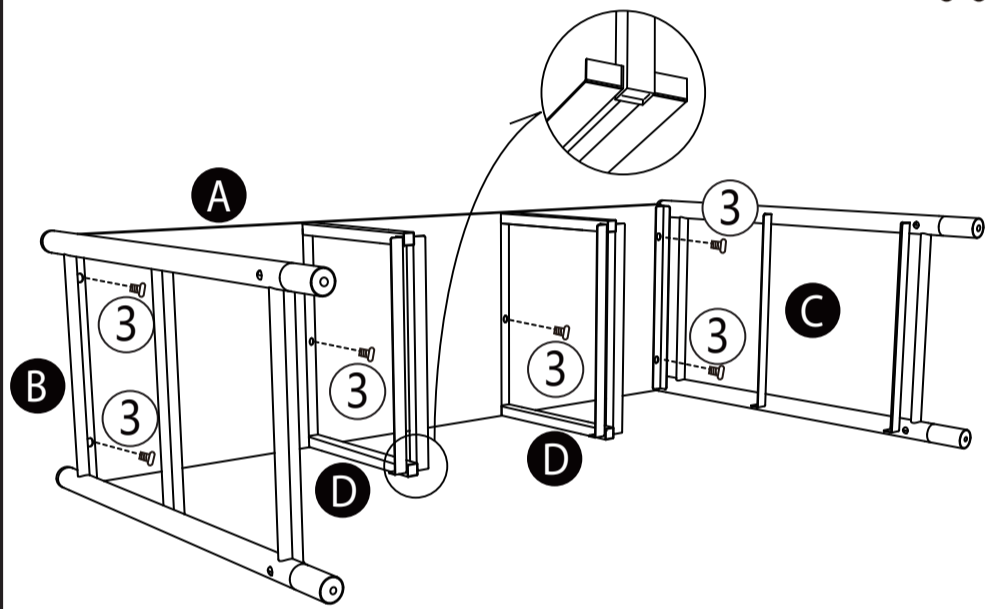


⑧ 1pc

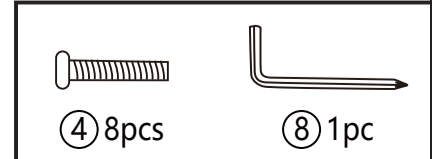
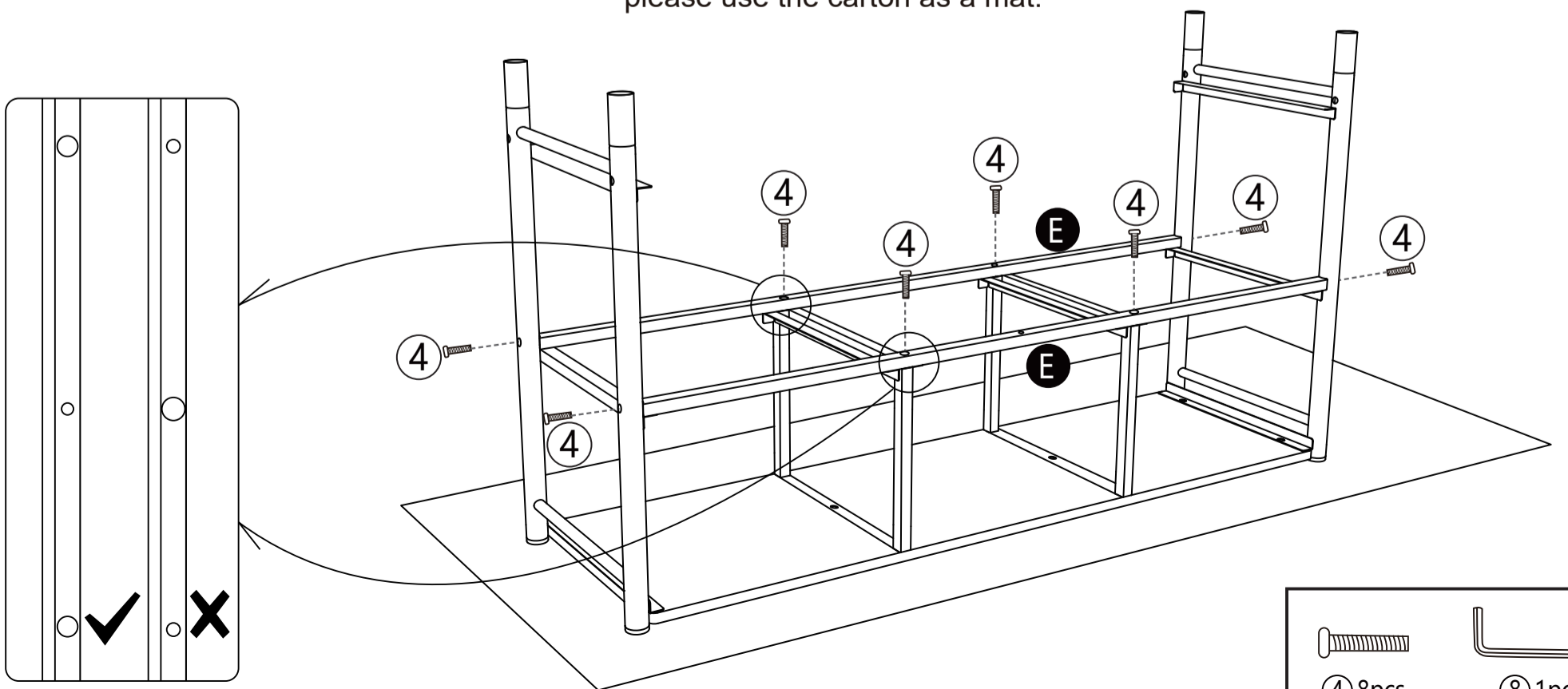


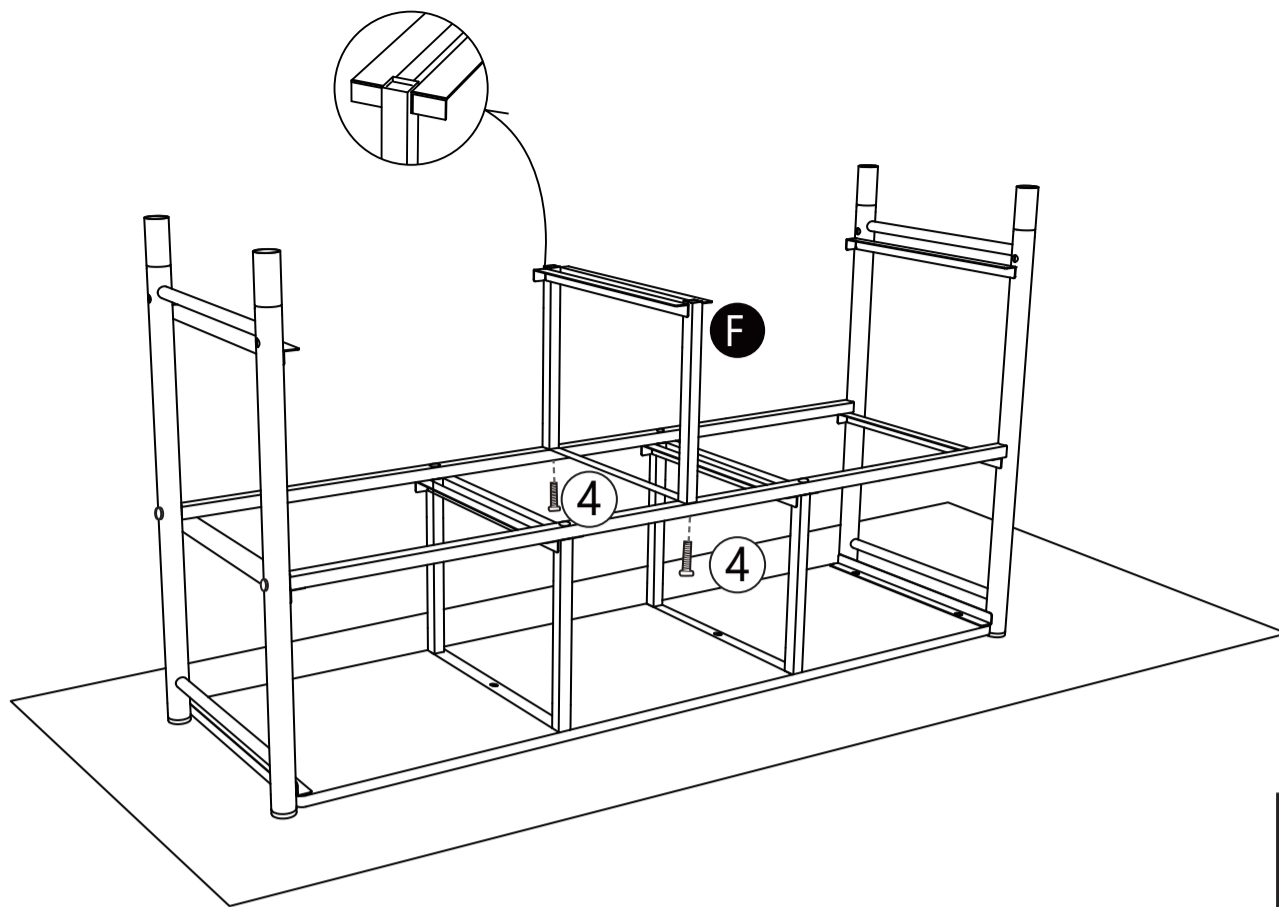
Step 1

Step 2



Attention : To avoid scratches on the surface of product during assembly, please use the carton as a mat.

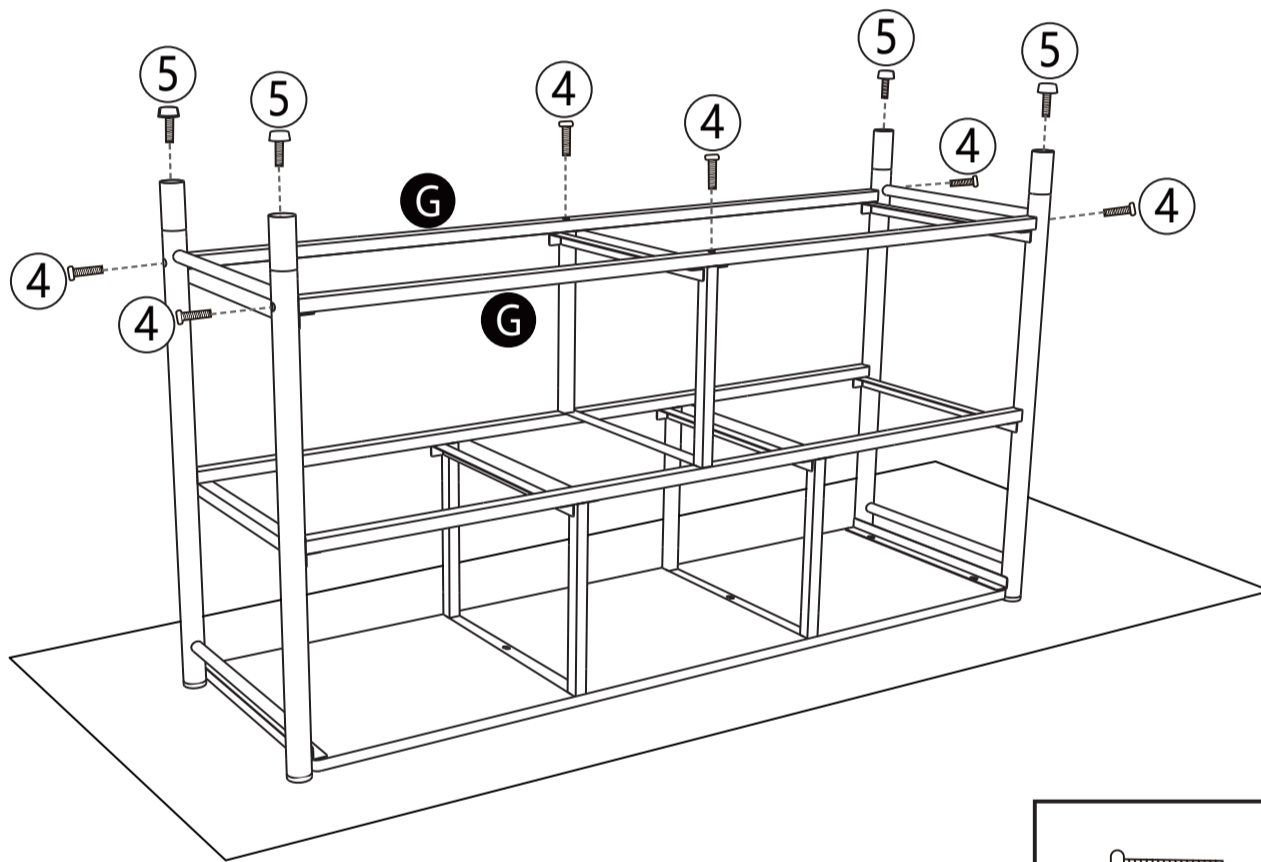




④ 2pcs



⑧ 1pc



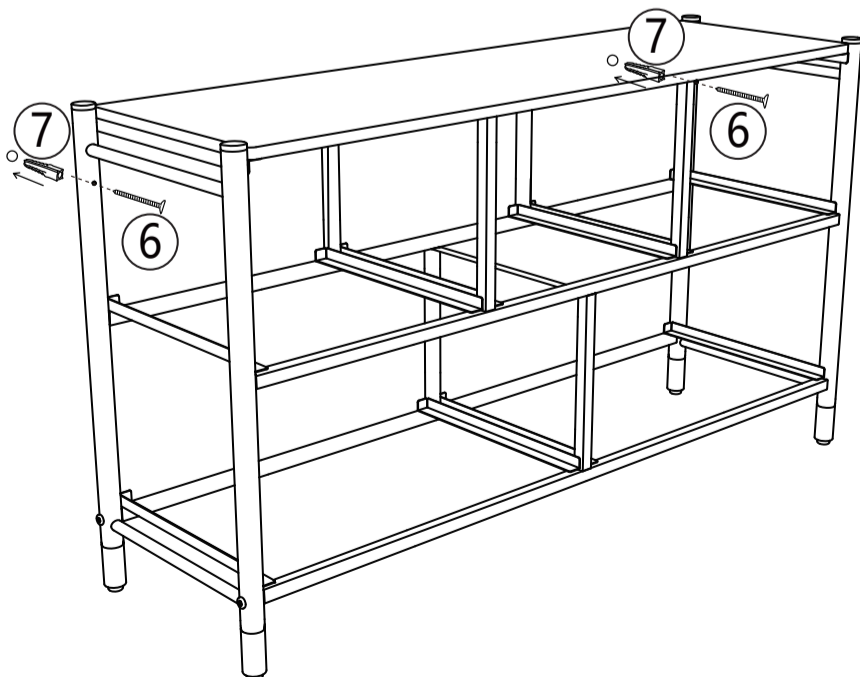
④ 6pcs



⑤ 4pcs



⑧ 1pc



⑥ 2pcs



⑦ 2pcs



⑧ 1pc

