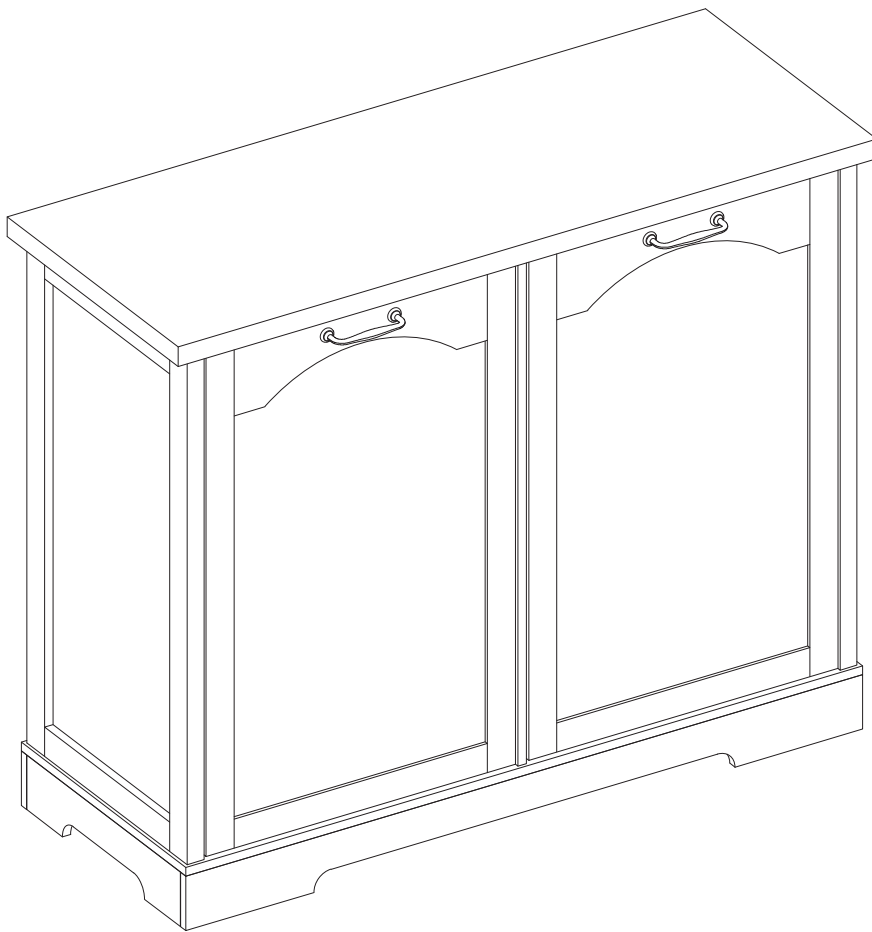


# Tilt Out Trash Cabinet Instruction Manual

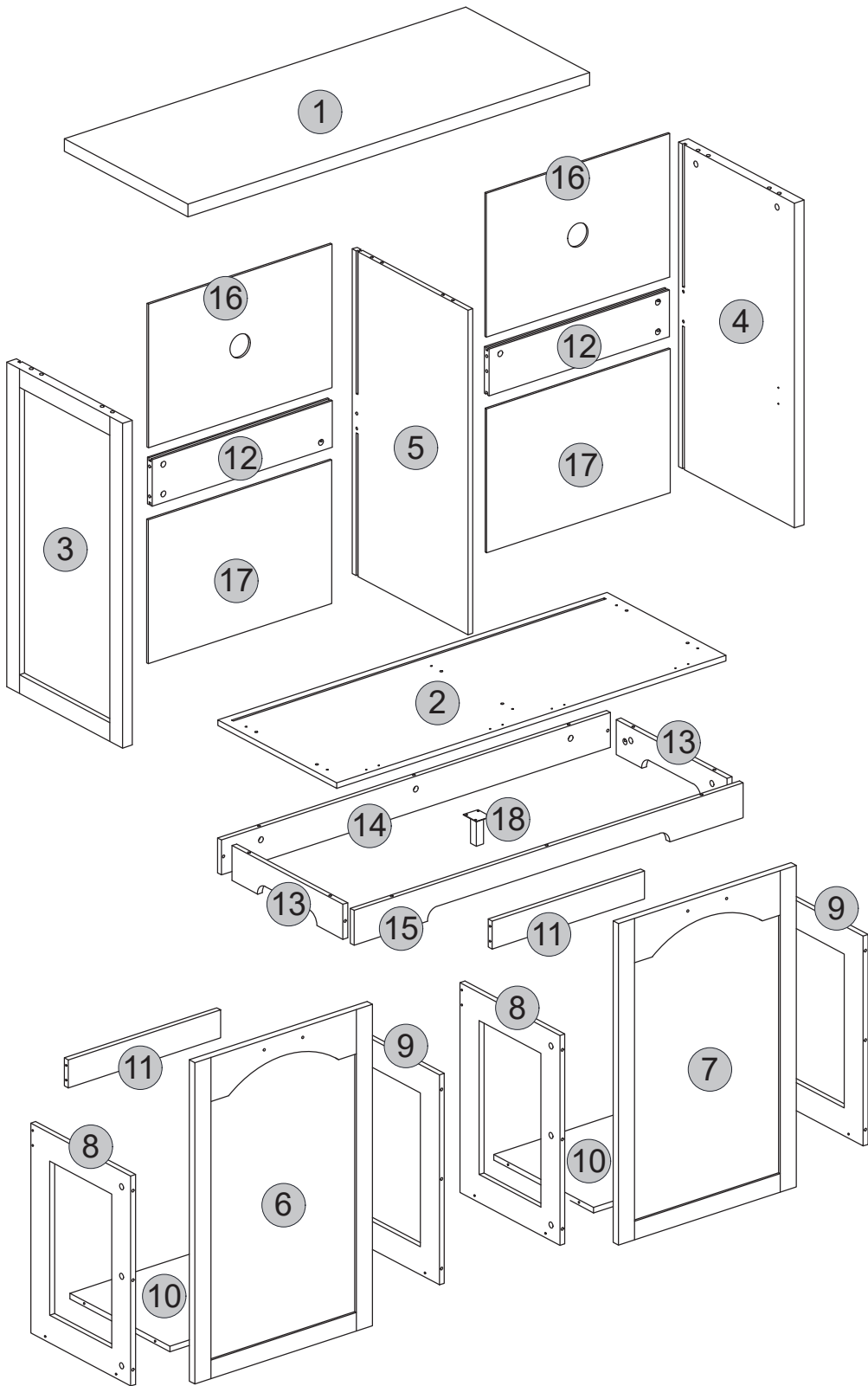
Note: There is also a more detailed installation video on the product detail page on website.



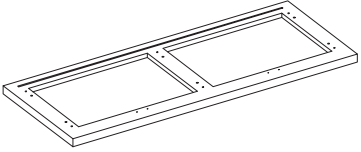
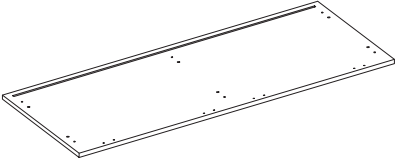
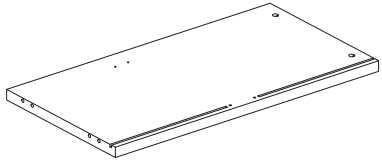
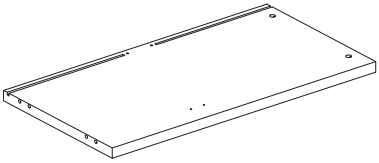
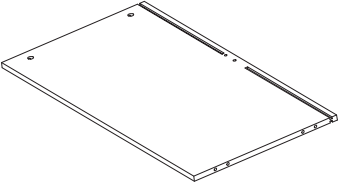
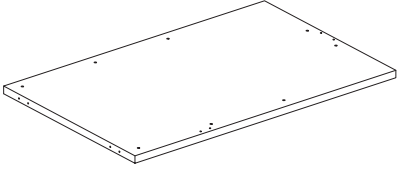
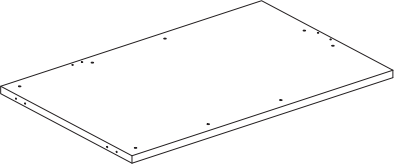
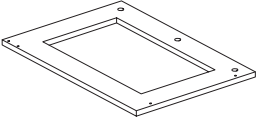
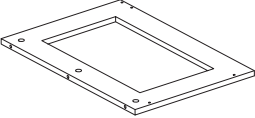
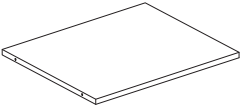
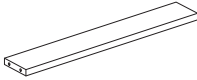
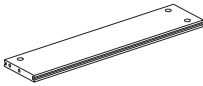
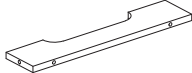
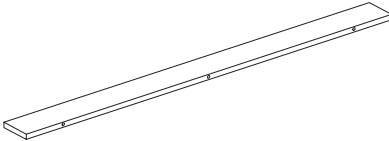
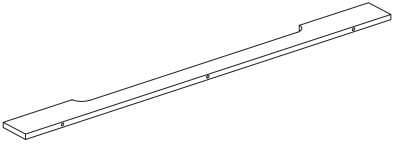
E-mail: [support@vopeak.com](mailto:support@vopeak.com)

QR code for installation video

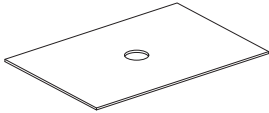
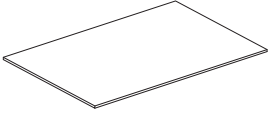
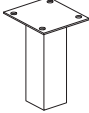
# Parts List(EN)

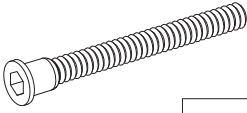
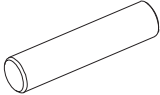
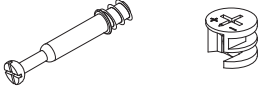
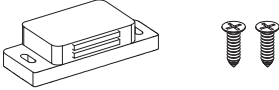

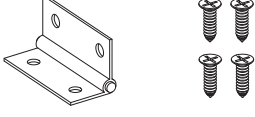

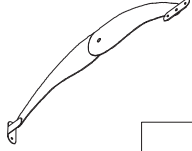
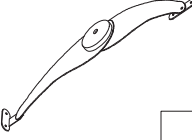
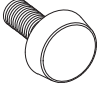
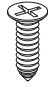

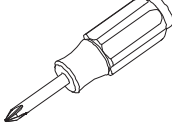



# Parts List(EN)

<p>① 1 PC</p> 	<p>② 1 PC</p> 	<p>③ 1 PC</p> 
<p>④ 1 PC</p> 	<p>⑤ 1 PC</p> 	<p>⑥ 1 PC</p> 
<p>⑦ 1 PC</p> 	<p>⑧ 2 PCS</p> 	<p>⑨ 2 PCS</p> 
<p>⑩ 2 PCS</p> 	<p>⑪ 2 PCS</p> 	<p>⑫ 2 PCS</p> 
<p>⑬ 2 PCS</p> 	<p>⑭ 1 PC</p> 	<p>⑮ 1 PC</p> 

## Parts List(EN)

<p>16</p> <p style="text-align: right;">2 PCS</p> 	<p>17</p> <p style="text-align: right;">2 PCS</p> 	<p>18</p> <p style="text-align: right;">1 PC</p> 
---	---	--

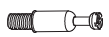
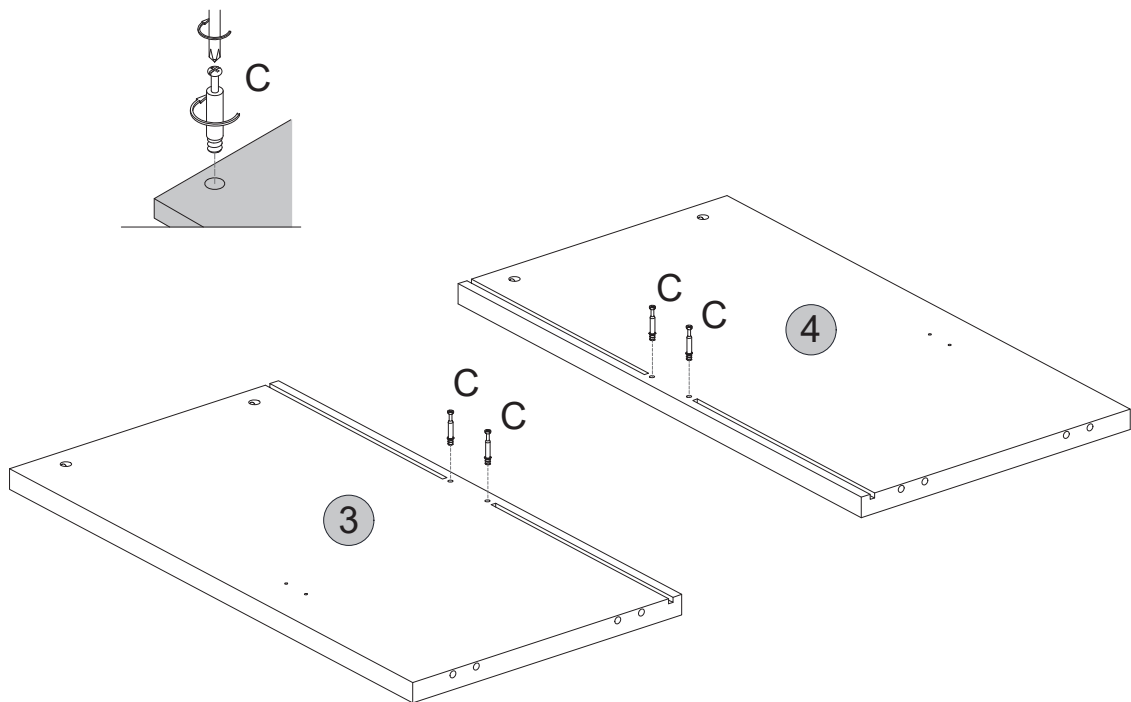
<p>A</p>  <p style="text-align: right;">22+2 PCS</p>	<p>B</p>  <p style="text-align: right;">13+1 PCS</p>	<p>C</p>  <p style="text-align: right;">38+3 PCS</p>
<p>D</p>  <p style="text-align: right;">2 PCS</p>	<p>E</p>  <p style="text-align: right;">2 PCS</p>	<p>F</p>  <p style="text-align: right;">4 PCS</p>
<p>G</p>  <p style="text-align: right;">2 PCS</p>	<p>H</p>  <p style="text-align: right;">1 PC</p>	<p>I</p>  <p style="text-align: right;">1 PC</p>
<p>J</p>  <p style="text-align: right;">1 PC</p>	<p>K</p>  <p style="text-align: right;">12+1 PCS</p>	<p>L</p>  <p style="text-align: right;">8 PCS</p>
<p>M</p>  <p style="text-align: right;">1 PC</p>	<p>N</p>  <p style="text-align: right;">1 PC</p>	

**Please read the following instructions carefully:**

**We offer customers a free lifetime warranty. If you need help regarding product issues, after-sales service or other relevant problems, please contact us via the email on the cover.**

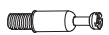
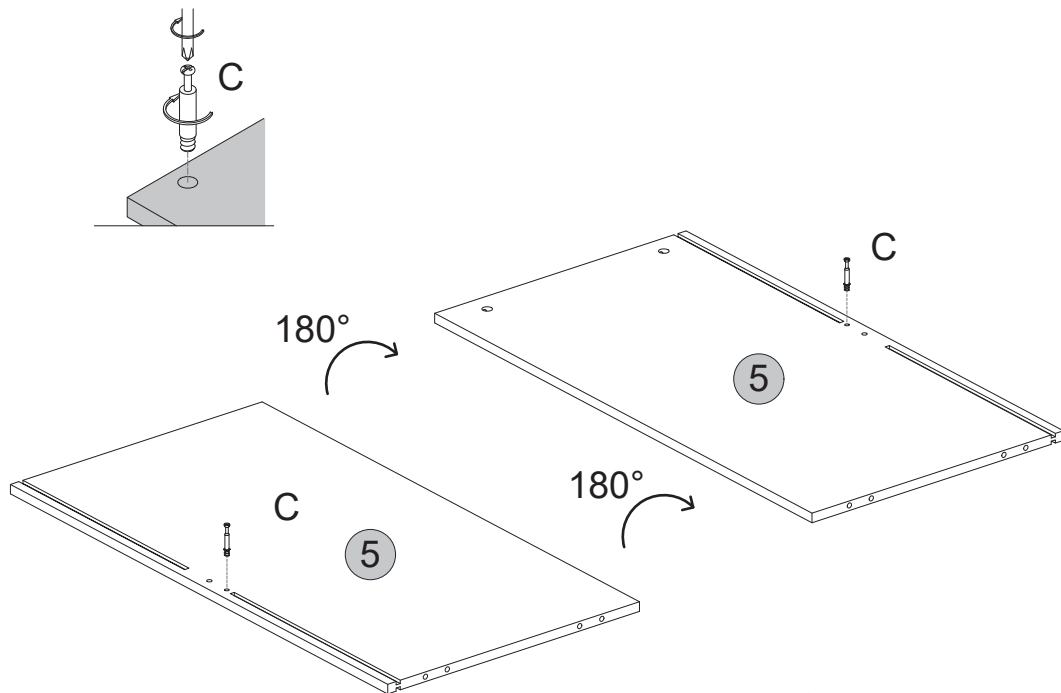
# Assembly Steps(EN)

## STEP 1



C x 4PCS

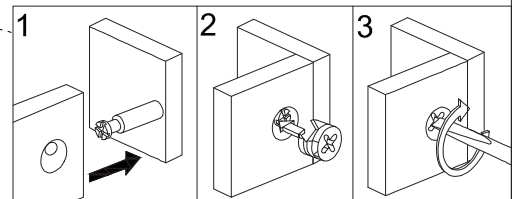
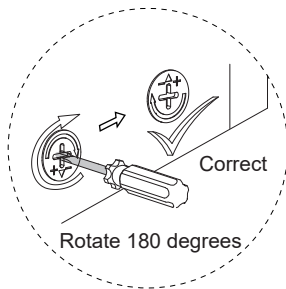
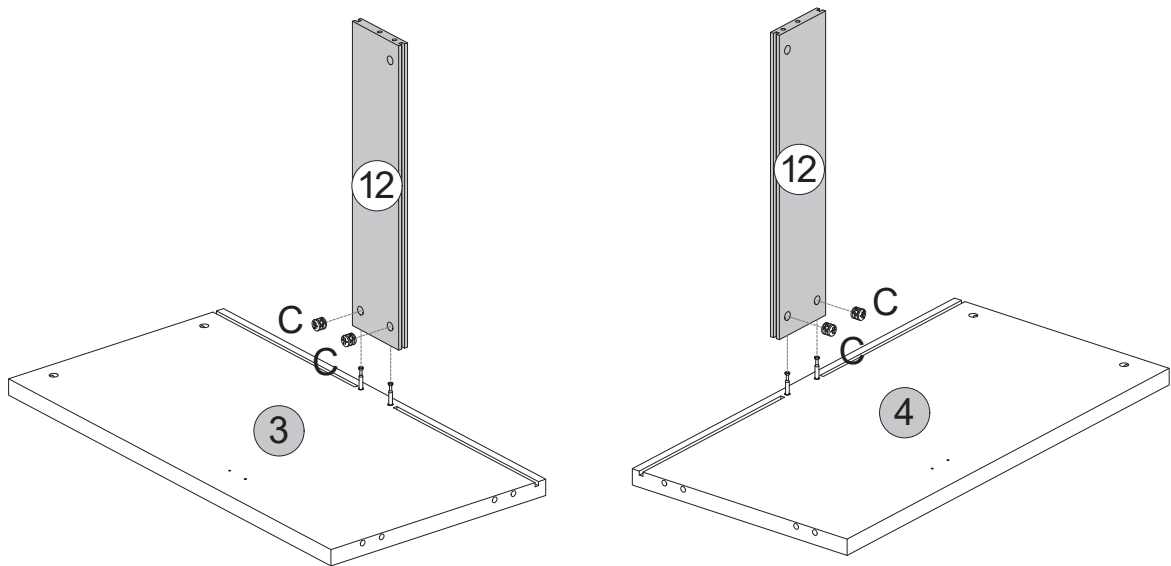
## STEP 2



C x 2PCS

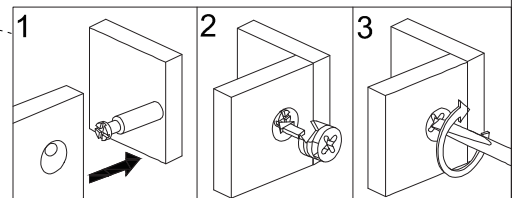
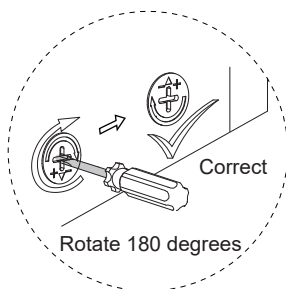
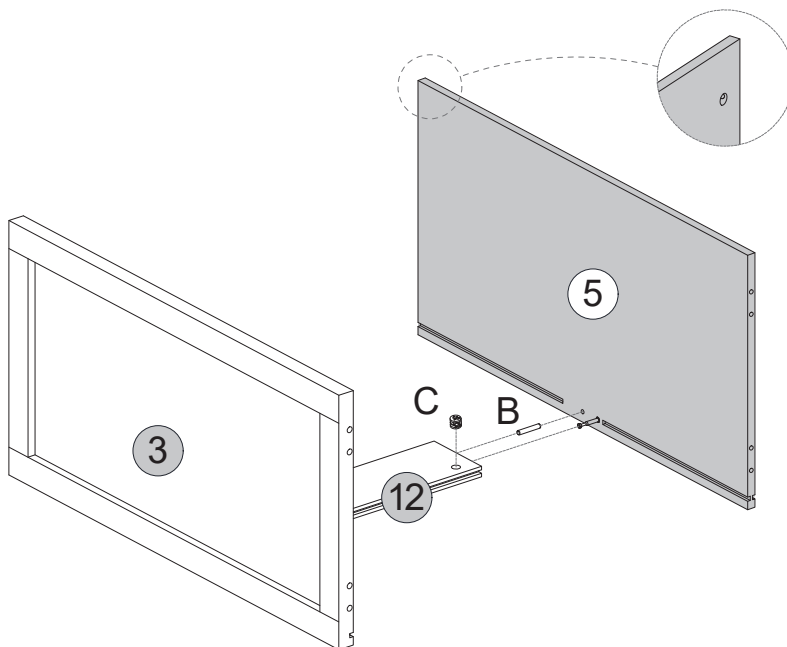
# Assembly Steps(EN)

## STEP 3



C x 4PCS

## STEP 4



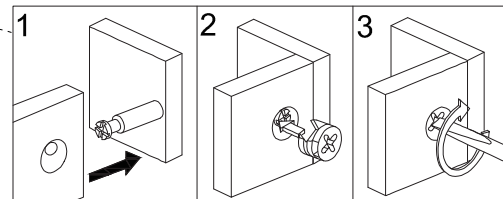
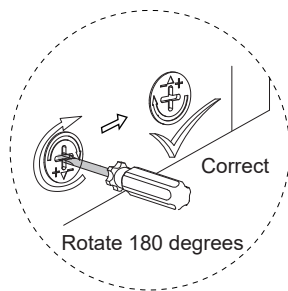
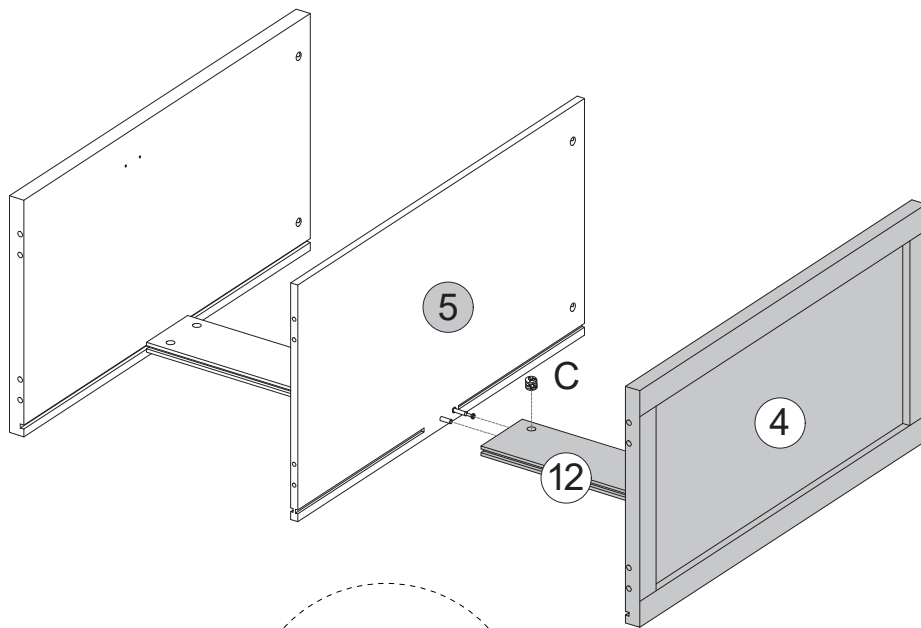
B x 1PC



C x 1PC

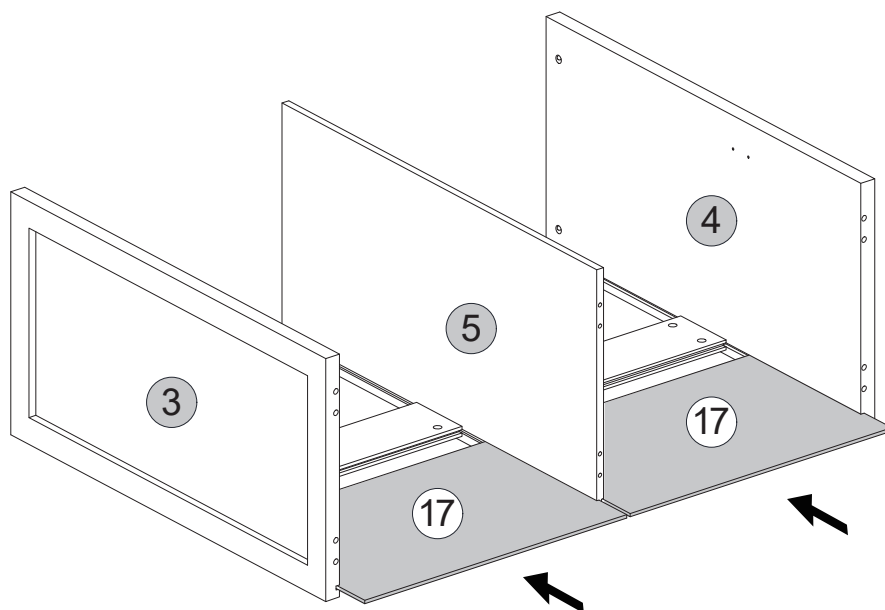
# Assembly Steps(EN)

## STEP 5



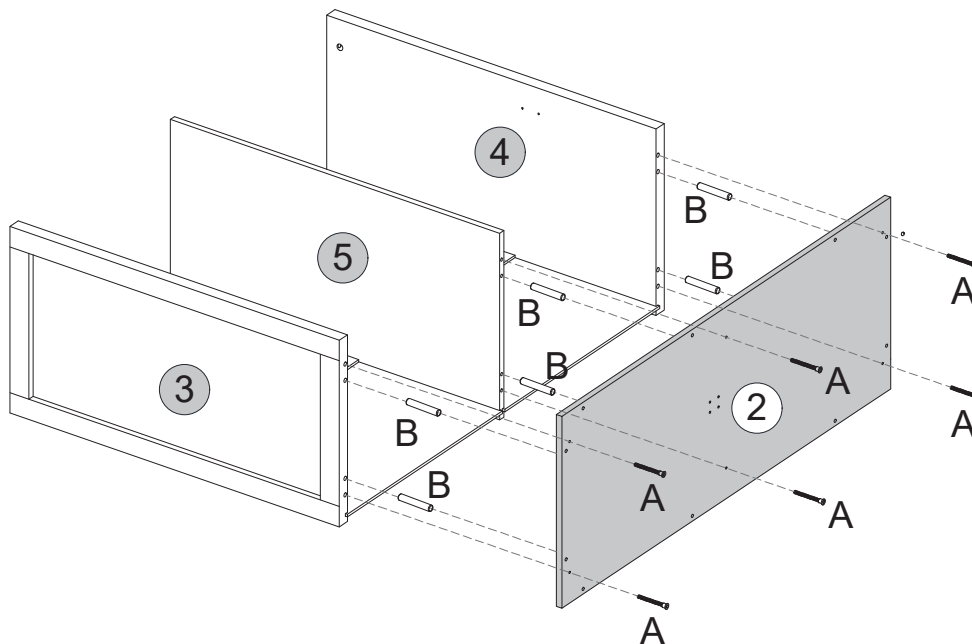
C x 1PC

## STEP 6




# Assembly Steps(EN)

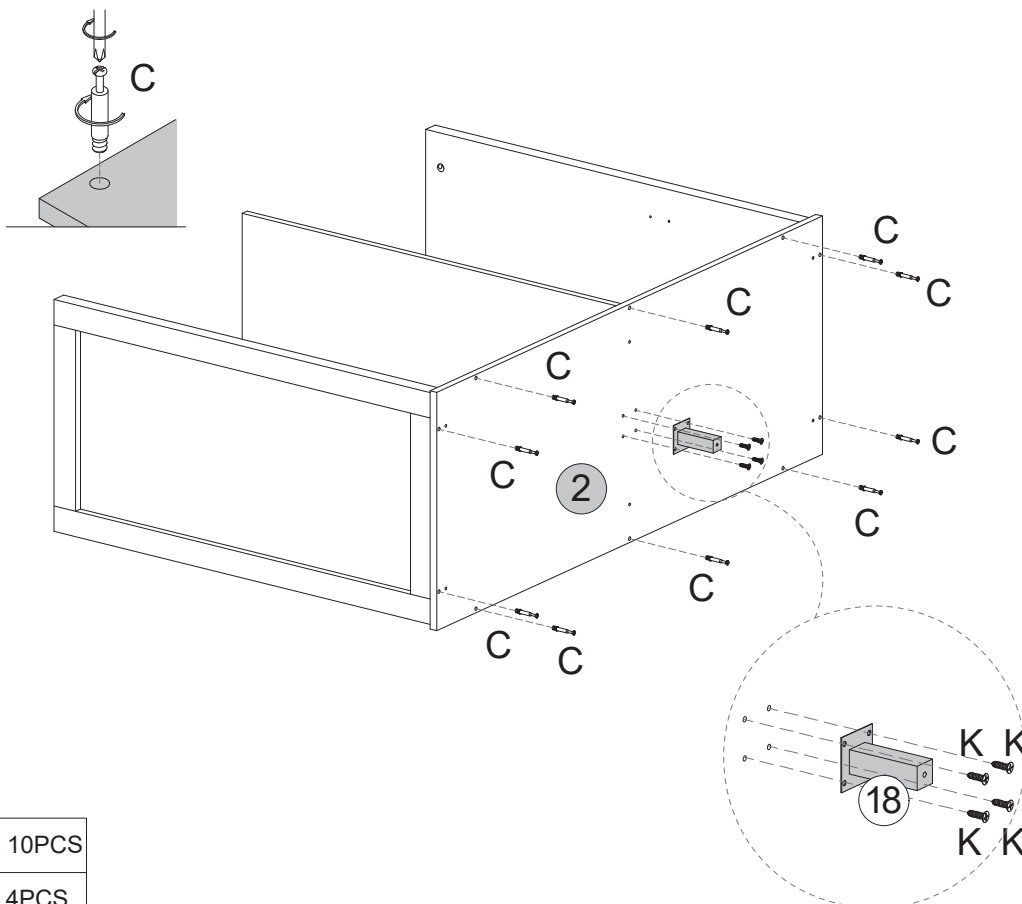
## STEP 7




 A x 6PCS

 B x 6PCS

## STEP 8

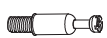
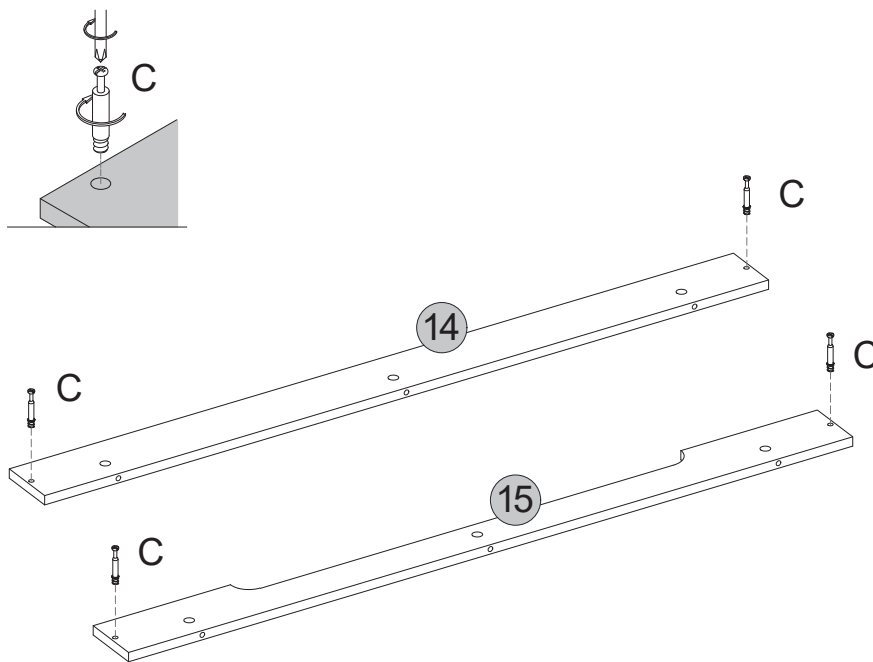


 C x 10PCS

 K x 4PCS

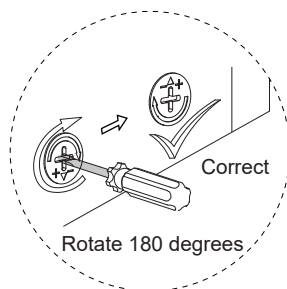
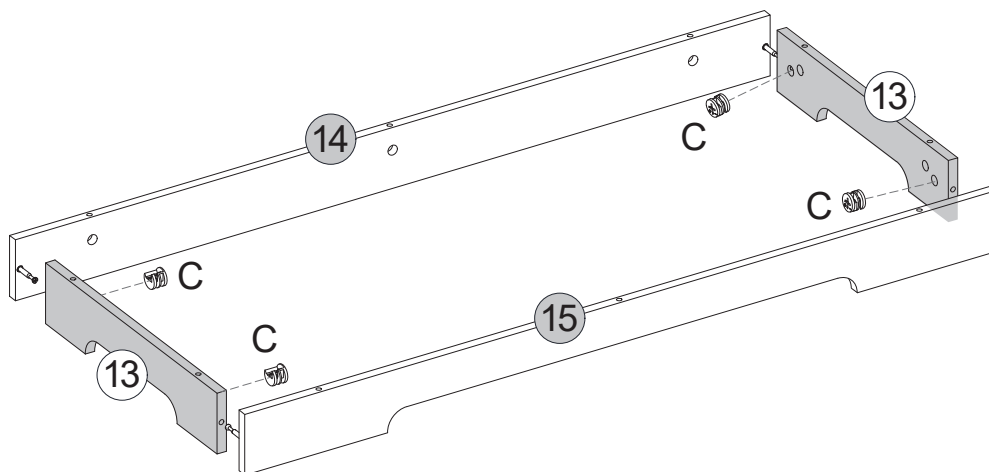
# Assembly Steps(EN)

## STEP 9

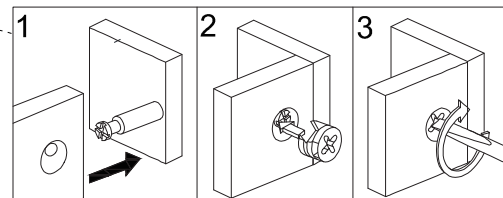


C x 4PCS

## STEP 10

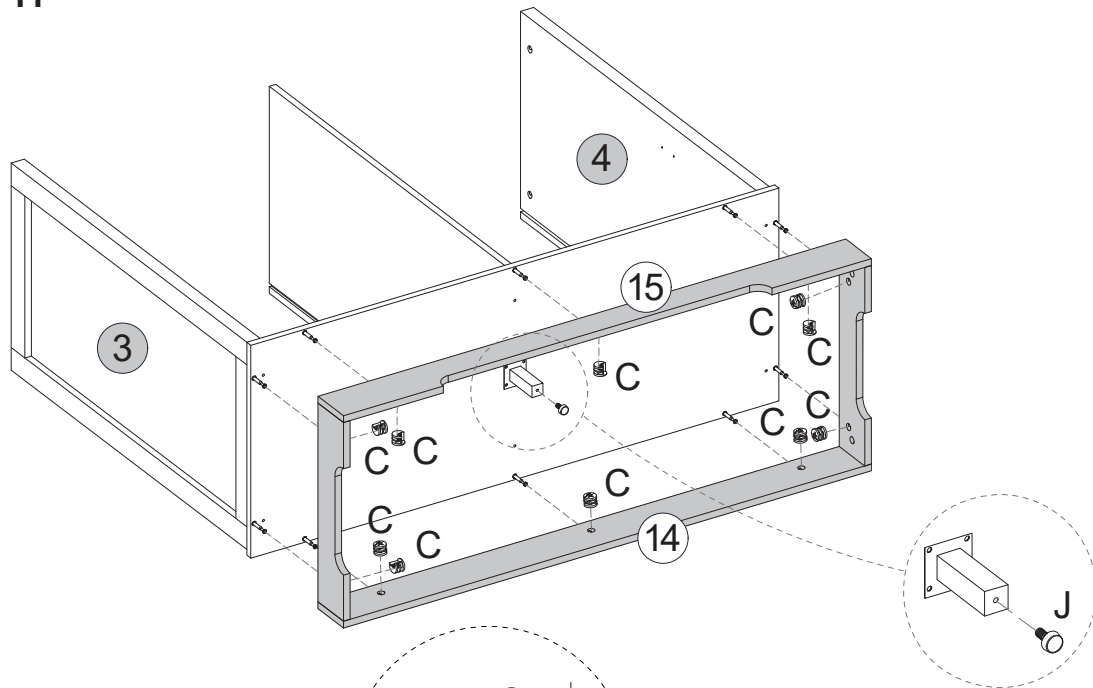




C x 4PCS

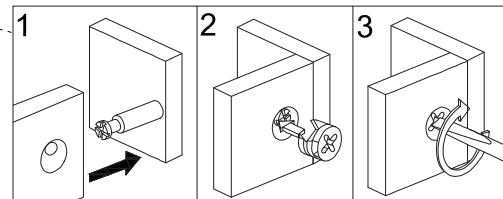
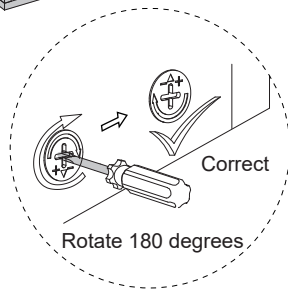


# Assembly Steps(EN)

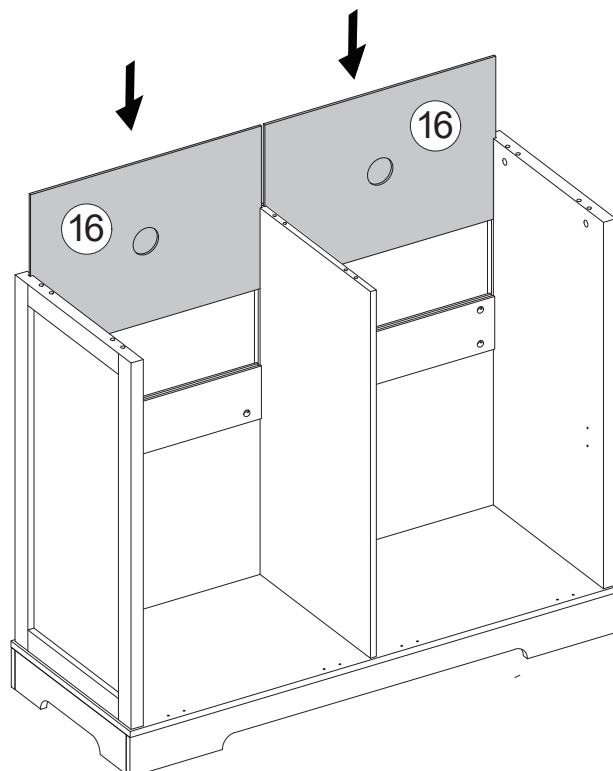
## STEP 11



	C x 10PCS
	J x 1PC

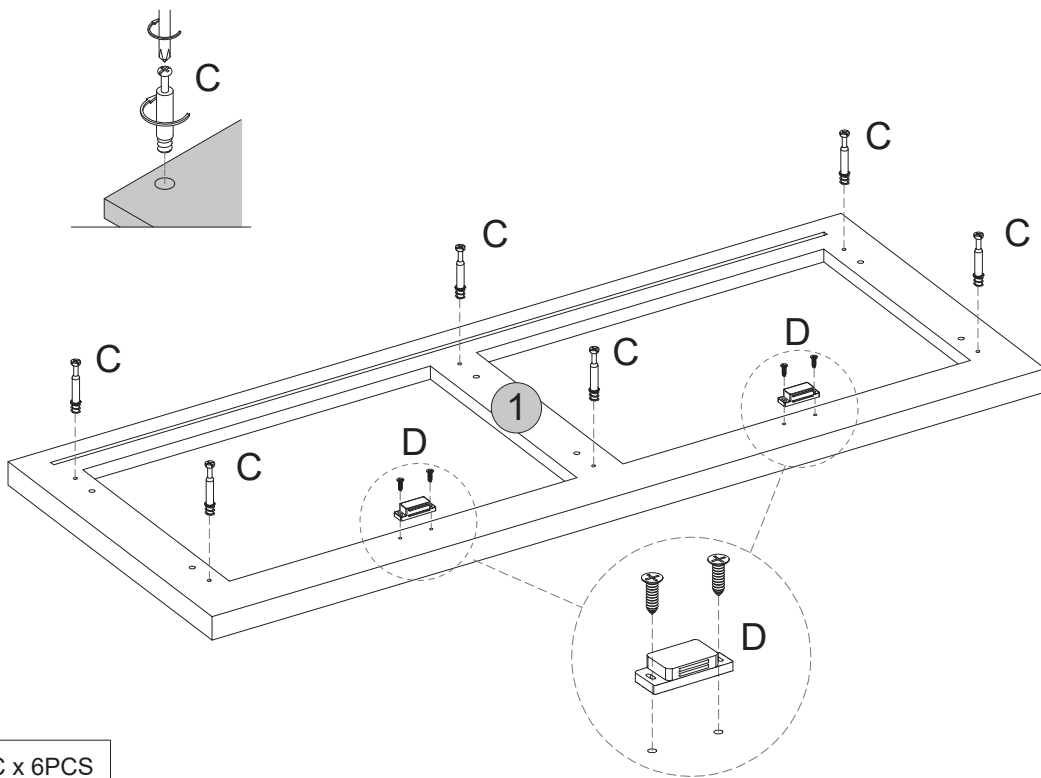




## STEP 12



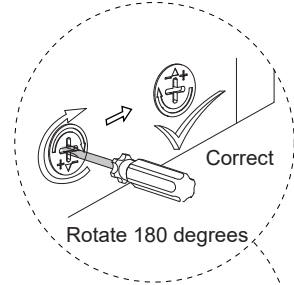
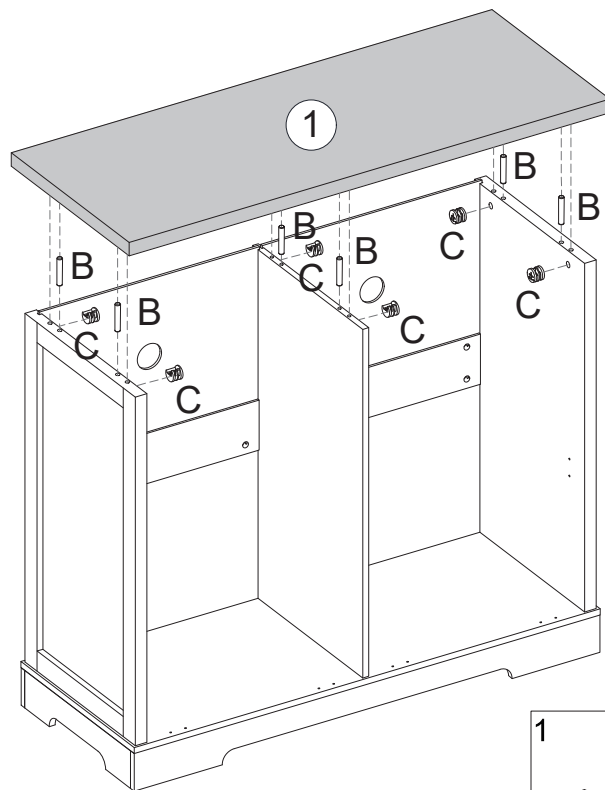
# Assembly Steps(EN)

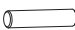

## STEP 13

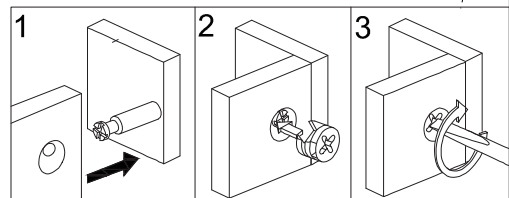


	C x 6PCS
	D x 2PCS

## STEP 14

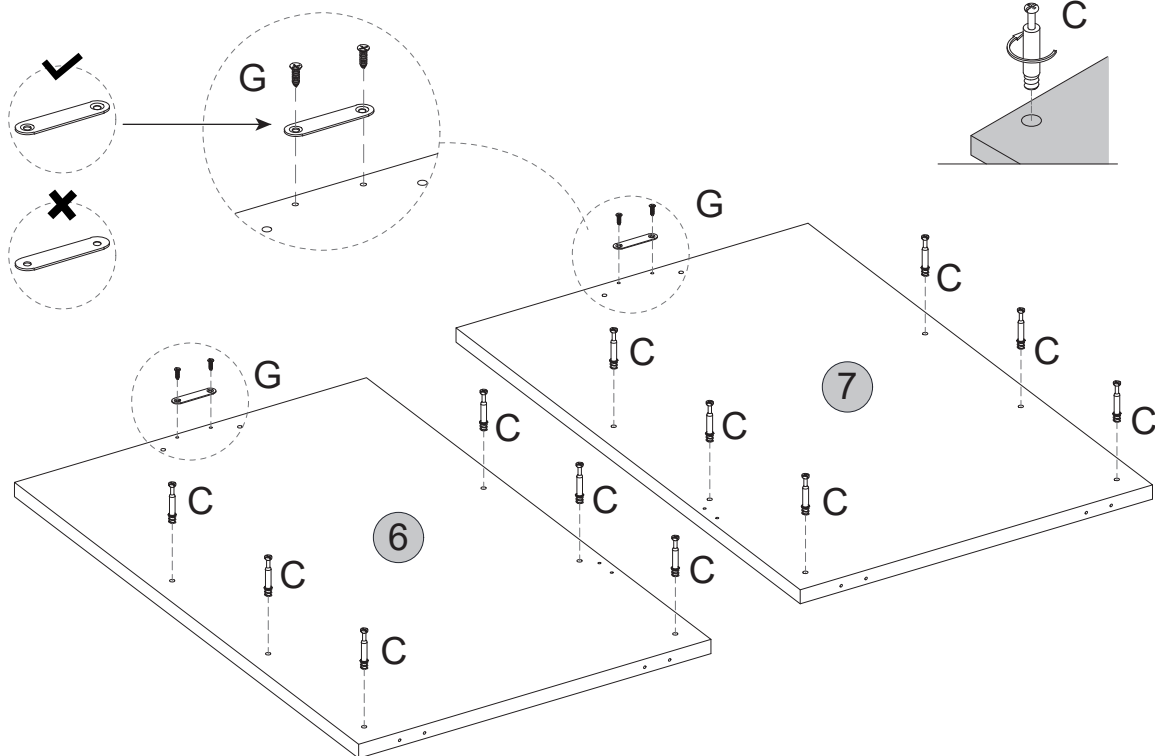




	B x 6PCS
	C x 6PCS



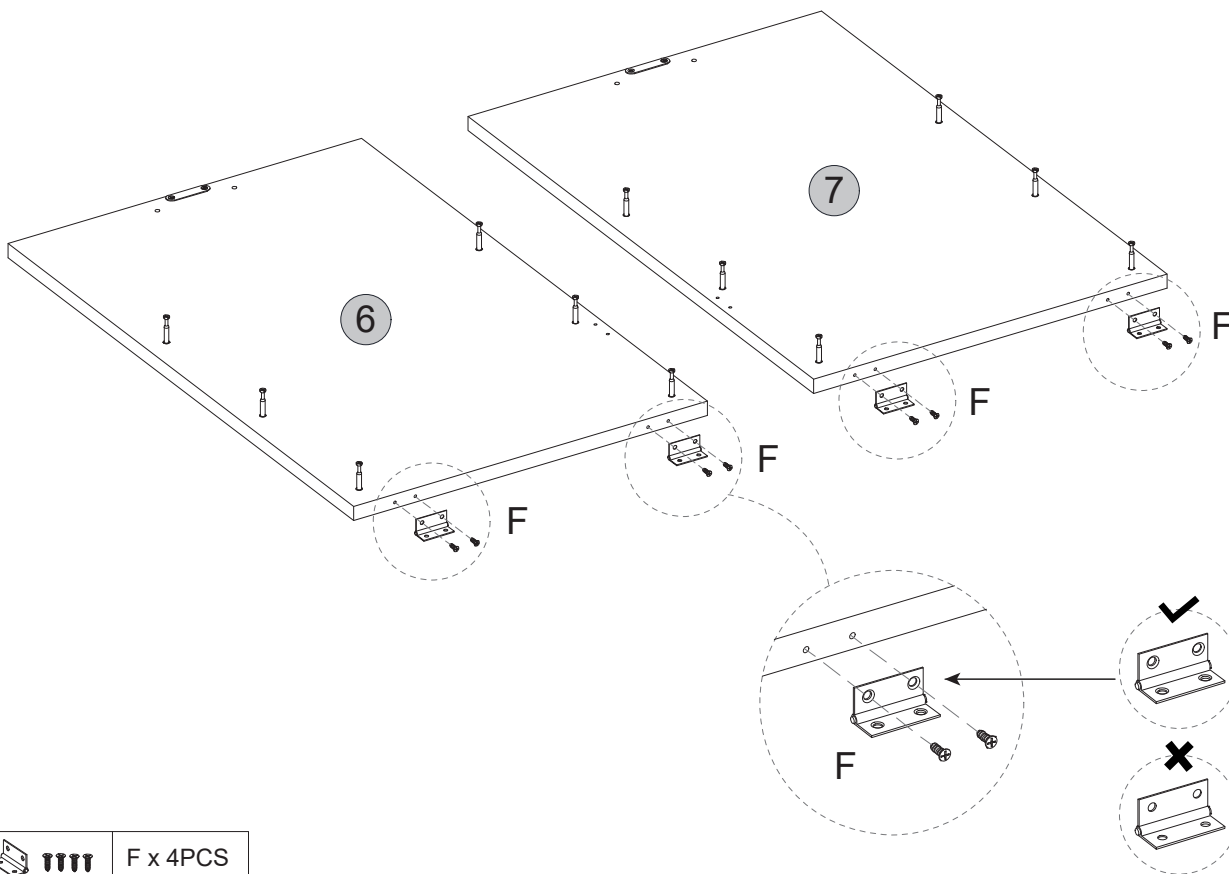
# Assembly Steps(EN)

## STEP 15



	C x 12PCS
	G x 2PCS

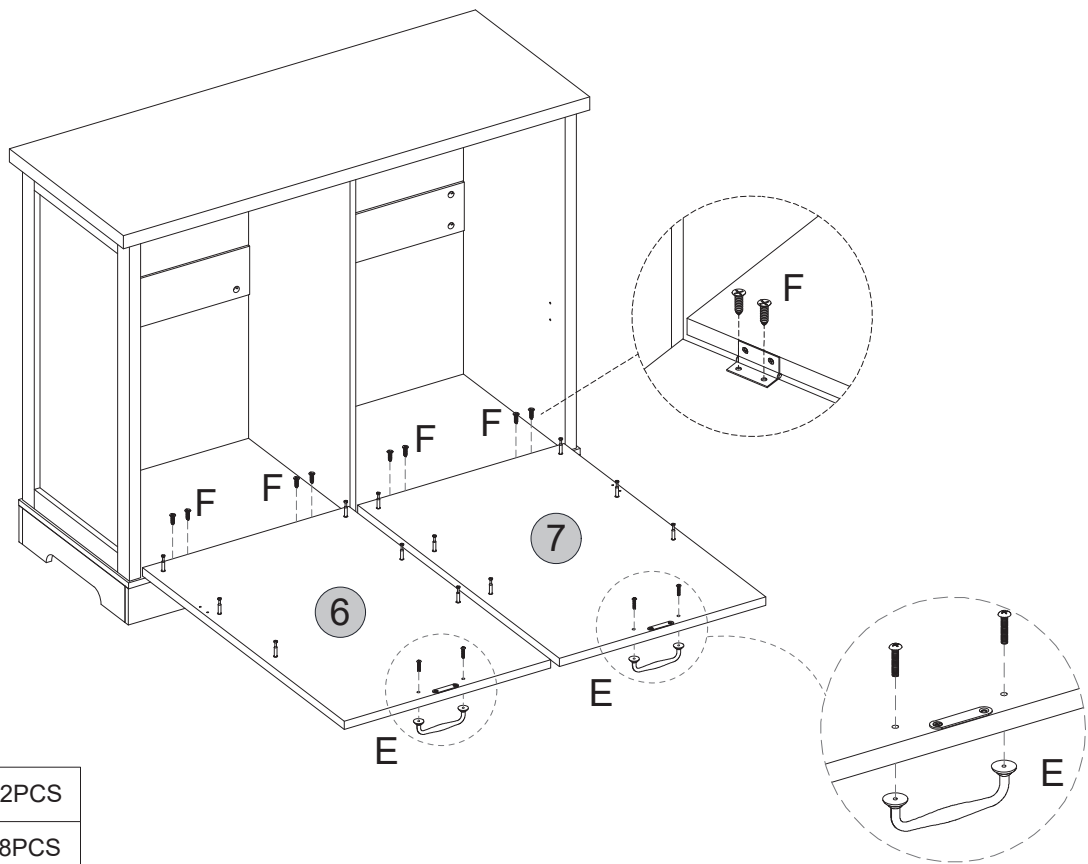
## STEP 16





	F x 4PCS
---	----------

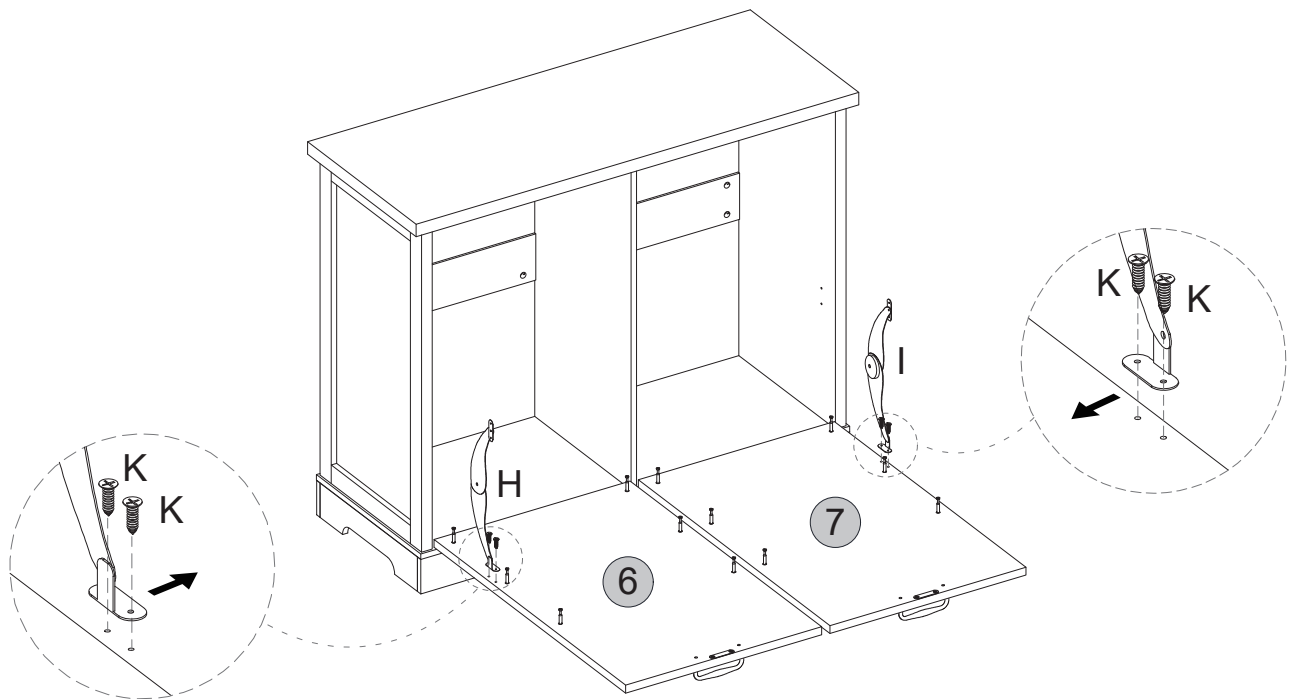
# Assembly Steps(EN)




## STEP 17



	E x 2PCS
	F x 8PCS

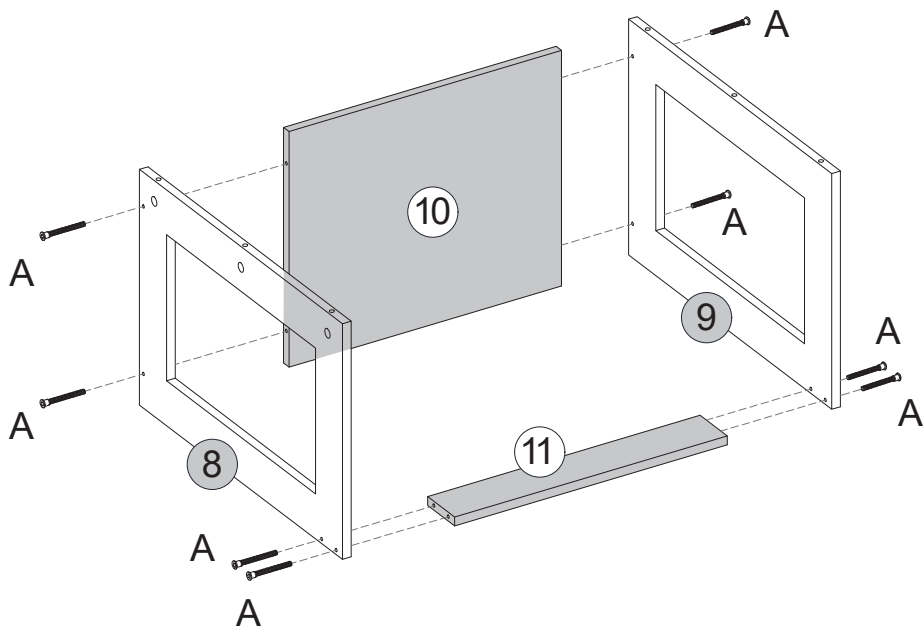
## STEP 18




	H x 1PC
	I x 1PC
	K x 4PCS

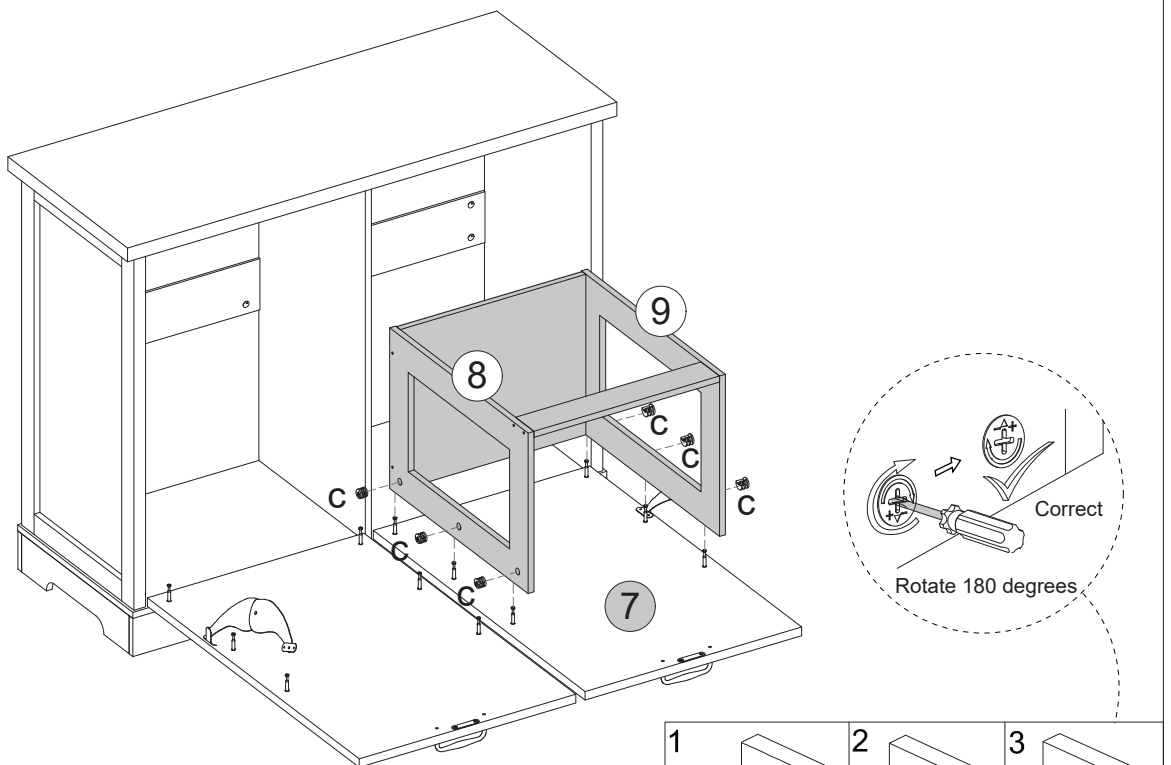
# Assembly Steps(EN)


## STEP 19

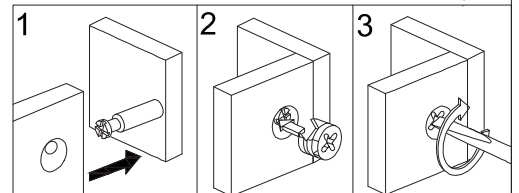


 A x 16PCS

## STEP 20

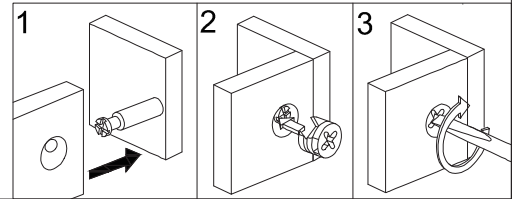
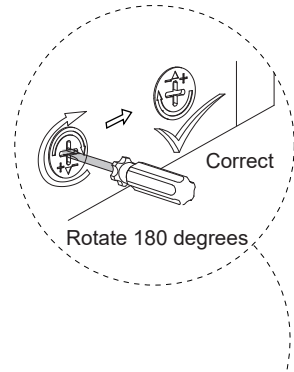
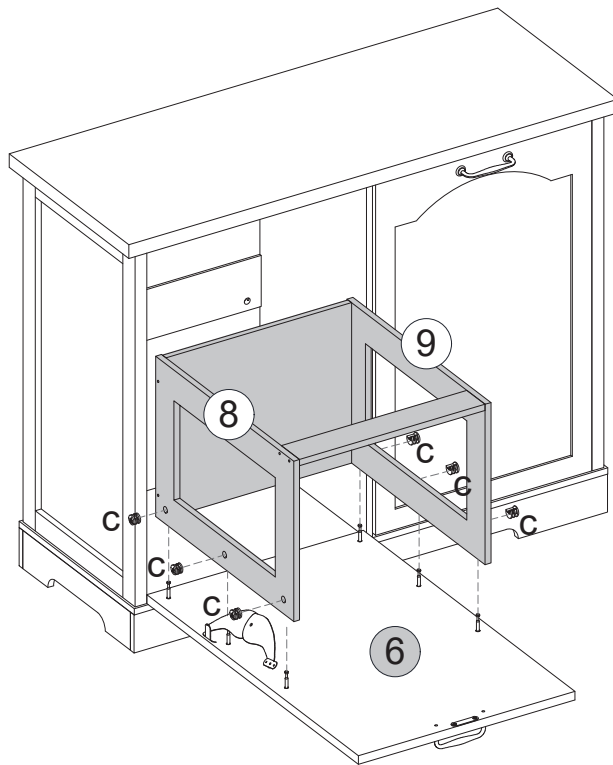


 C x 6PCS



# Assembly Steps(EN)

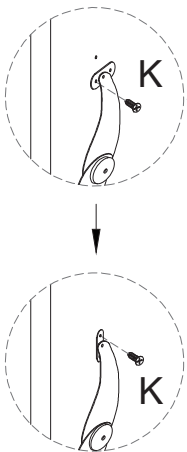
## STEP 21



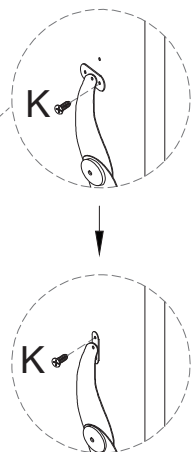
C x 6PCS

## STEP 22

Install the lower screw first



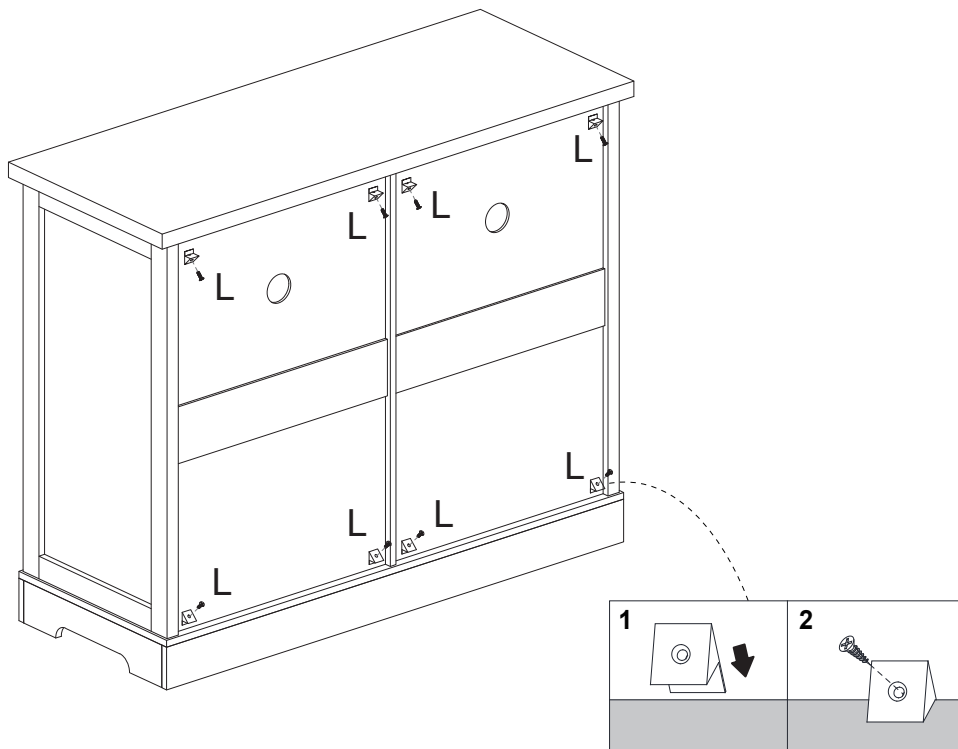
Install the lower screw first



K x 4PCS

## Assembly Steps(EN)

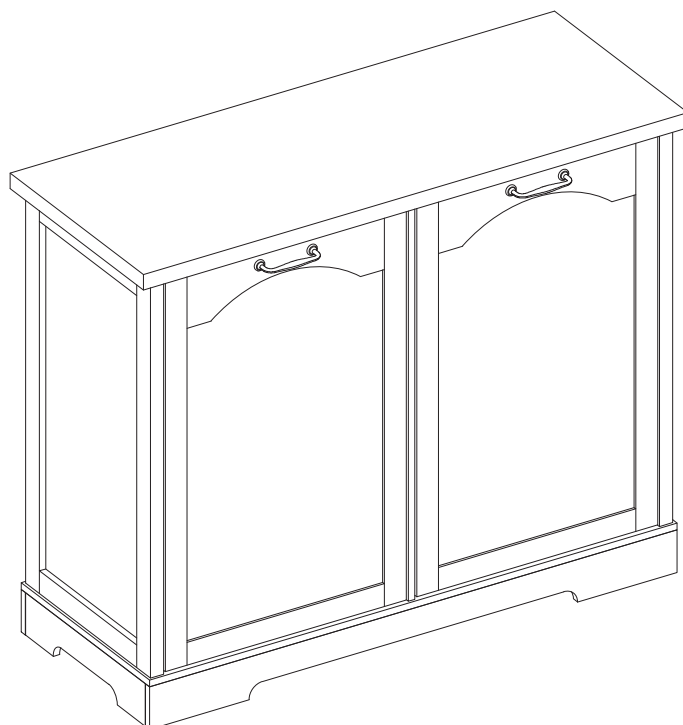
### STEP 23



L x 8PCS

Use L reinforce the Board

### STEP 24



Made in China

