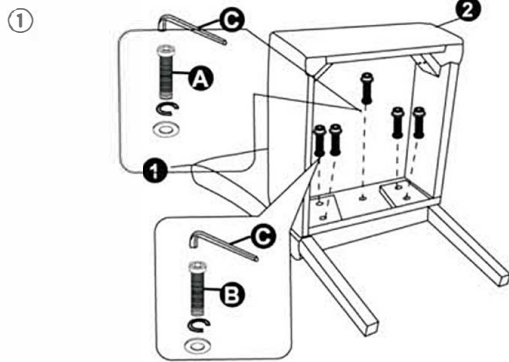
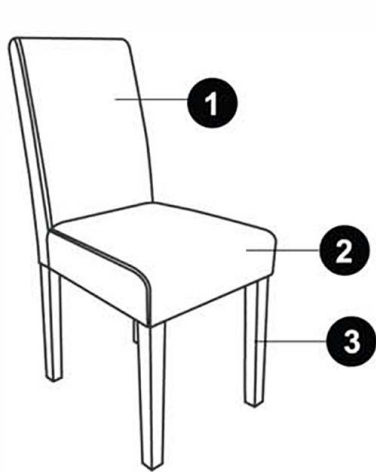


ASSEMBLY INSTRUCTION

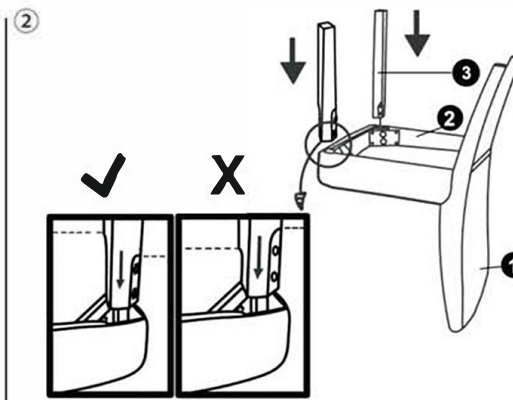
CUSTOMER SERVICE :

if you are missing parts or have any questions about this product, contact our customer service representative first!

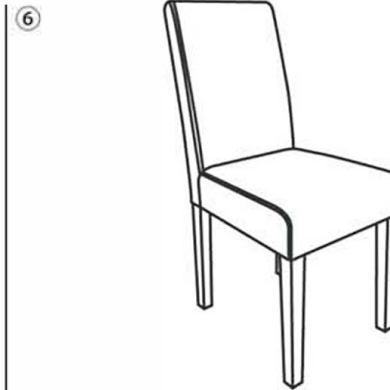
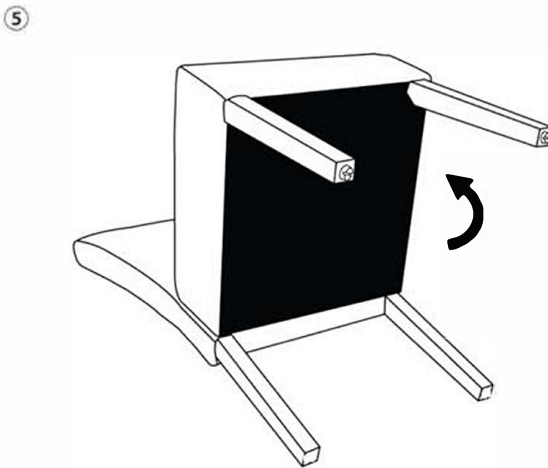
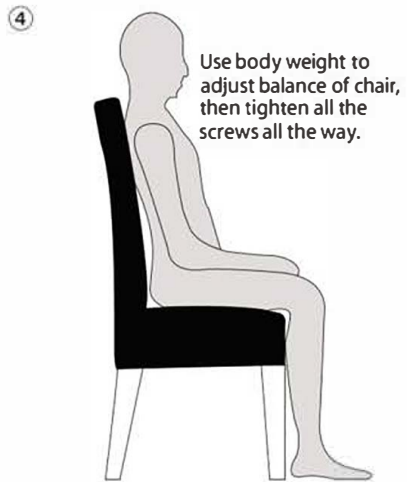
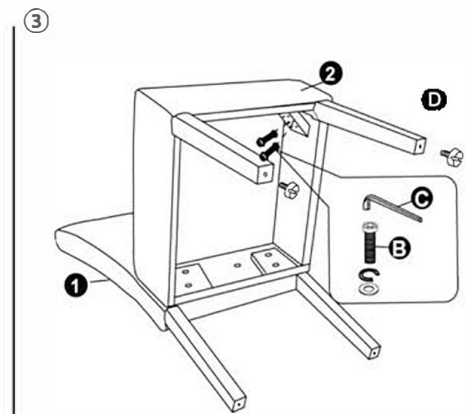


Insert the screws in the holes, tighten the screws, but not too tight, 90% is OK.

Align the screw holes for part 1 and part 2. (The edges of part 1 and part 2 should be flush with each other)







Important please make sure the cam studs face out as shown.



A few days after initial assembly, the product may acclimate to its new environment. Please ensure all screws are still securely tightened.

HARDWARE LIST	CODE	PARTS	QTY.
	1	BACK	1
	2	SEAT	1
	3	FRONT LEG	2

HARDWARE LIST	CODE	PARTS	QTY.
	A	M8X60MM 	1
	B	M8X80MM 	8
	C	ALLEN KEY 	1
	D	ADJUSTING PIN NAILS 	2

* Tool kit is in the seat *