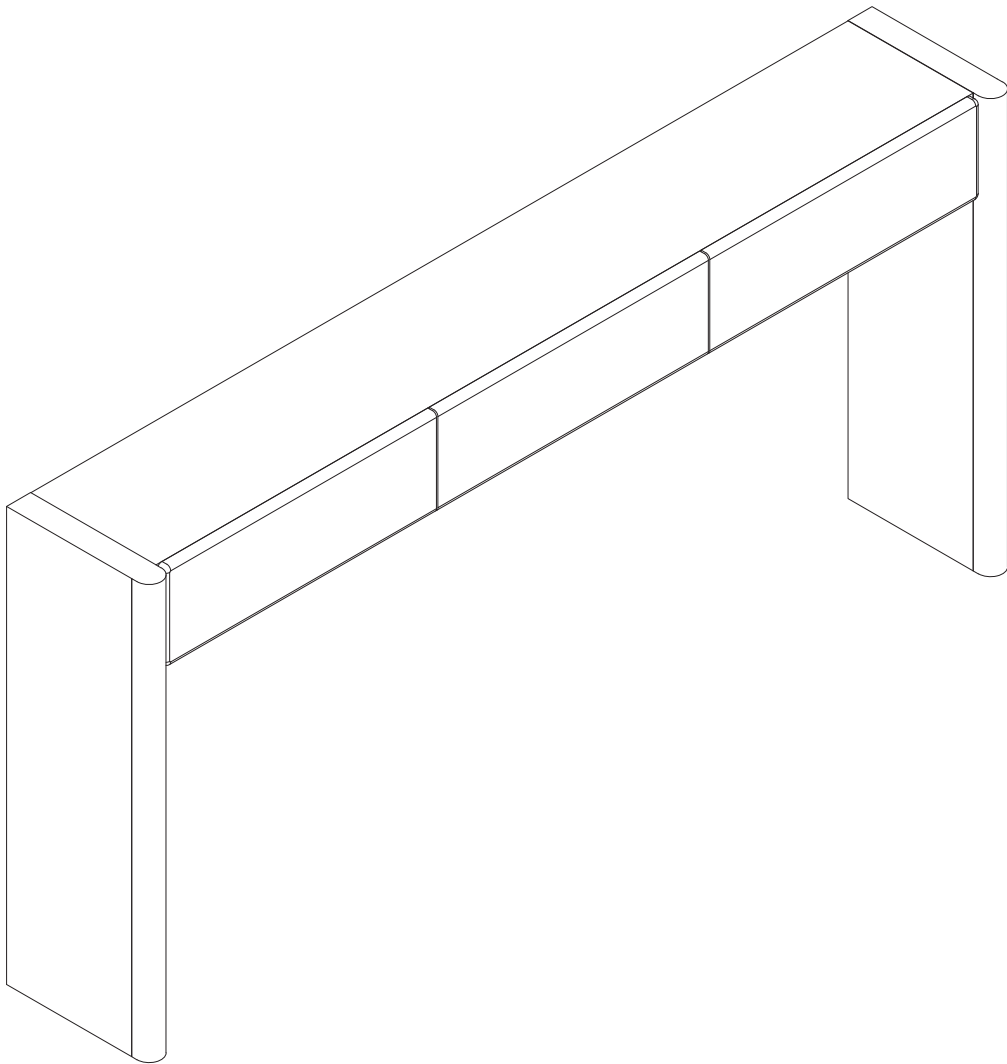


Assembly Instructions

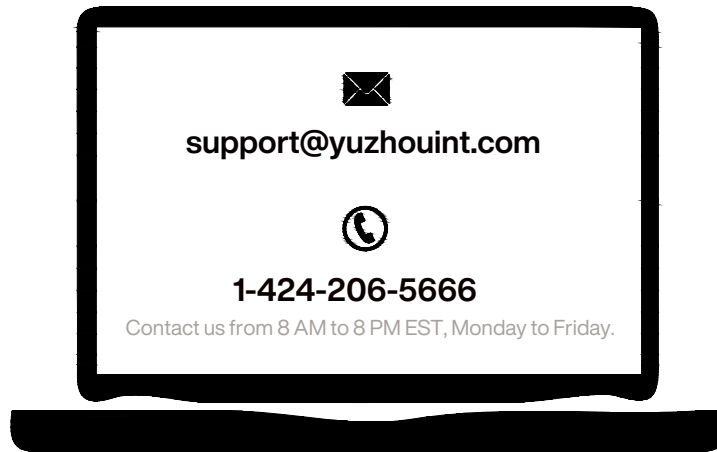


Console Table

Model No.
HOGA-JW1180

Contact Us

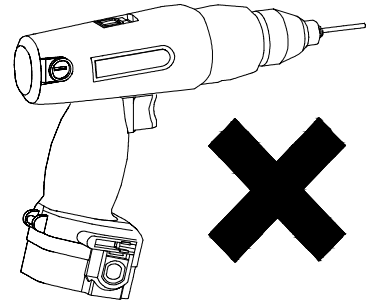
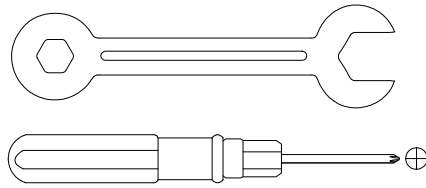
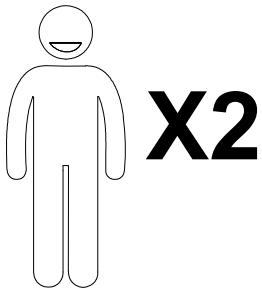
We're here to help you.



Your satisfaction is our top priority. If you encounter any issues with this product, such as missing or damaged parts, we're here to help. Please retain the original packaging and take photos of the packaging and the product, then contact us as soon as possible.

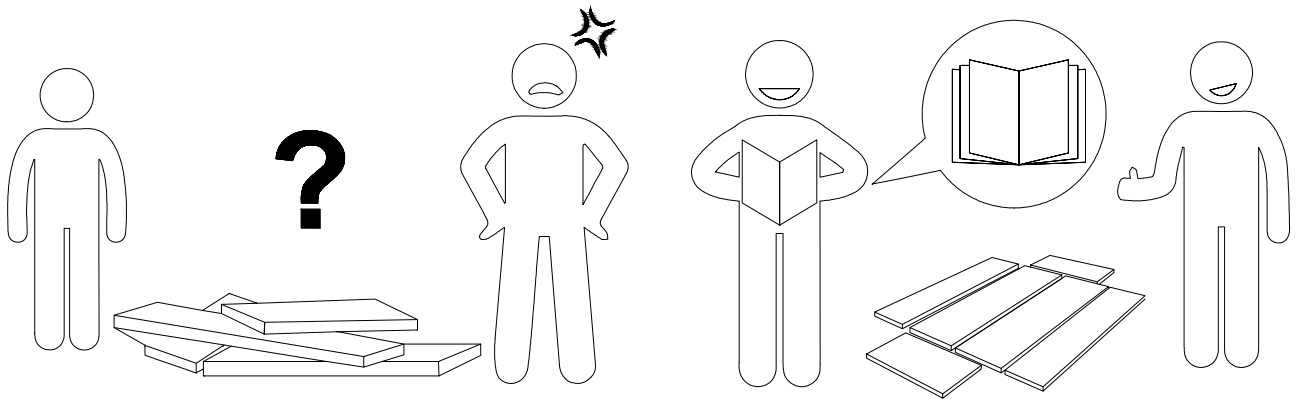
Warm Tips

1. Carefully read these instructions and keep them for future reference.
2. Check the parts list and confirm everything's there before starting assembly.
3. When assembling, put all parts on a soft, smooth surface like a carpet to avoid scratches.
4. Don't fully tighten screws until all parts are confirmed in place to avoid misalignment.



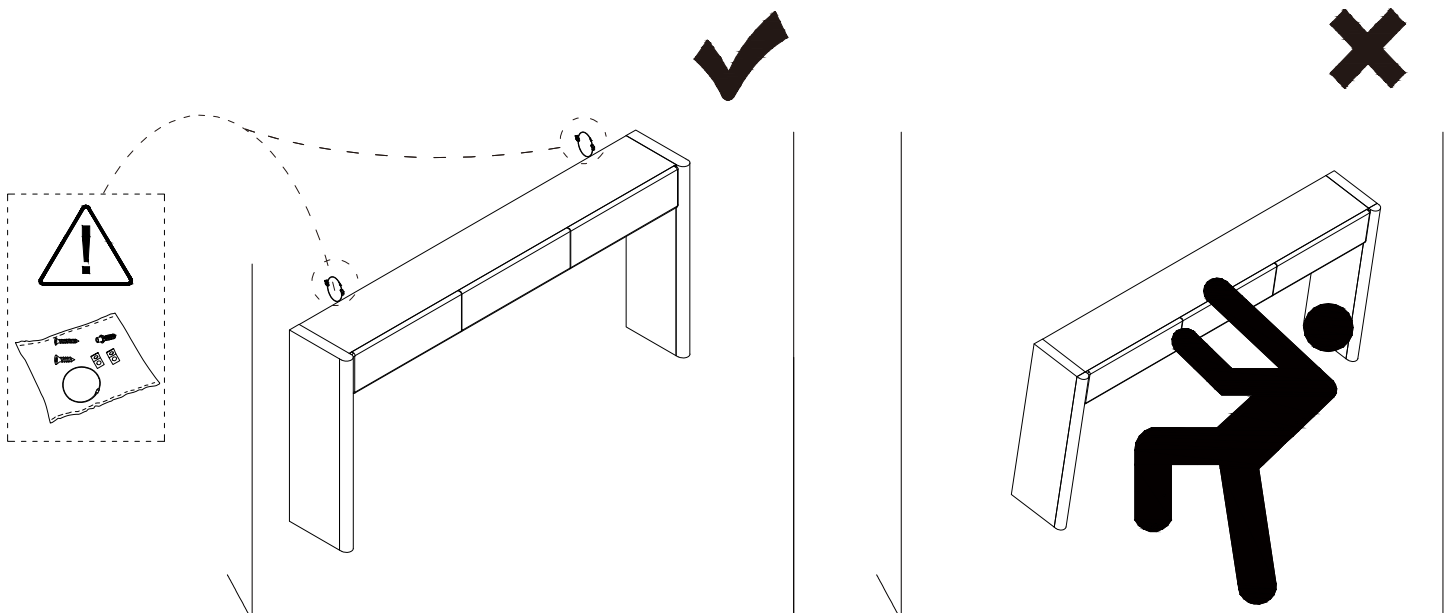
We recommend using hand tools for assembly.

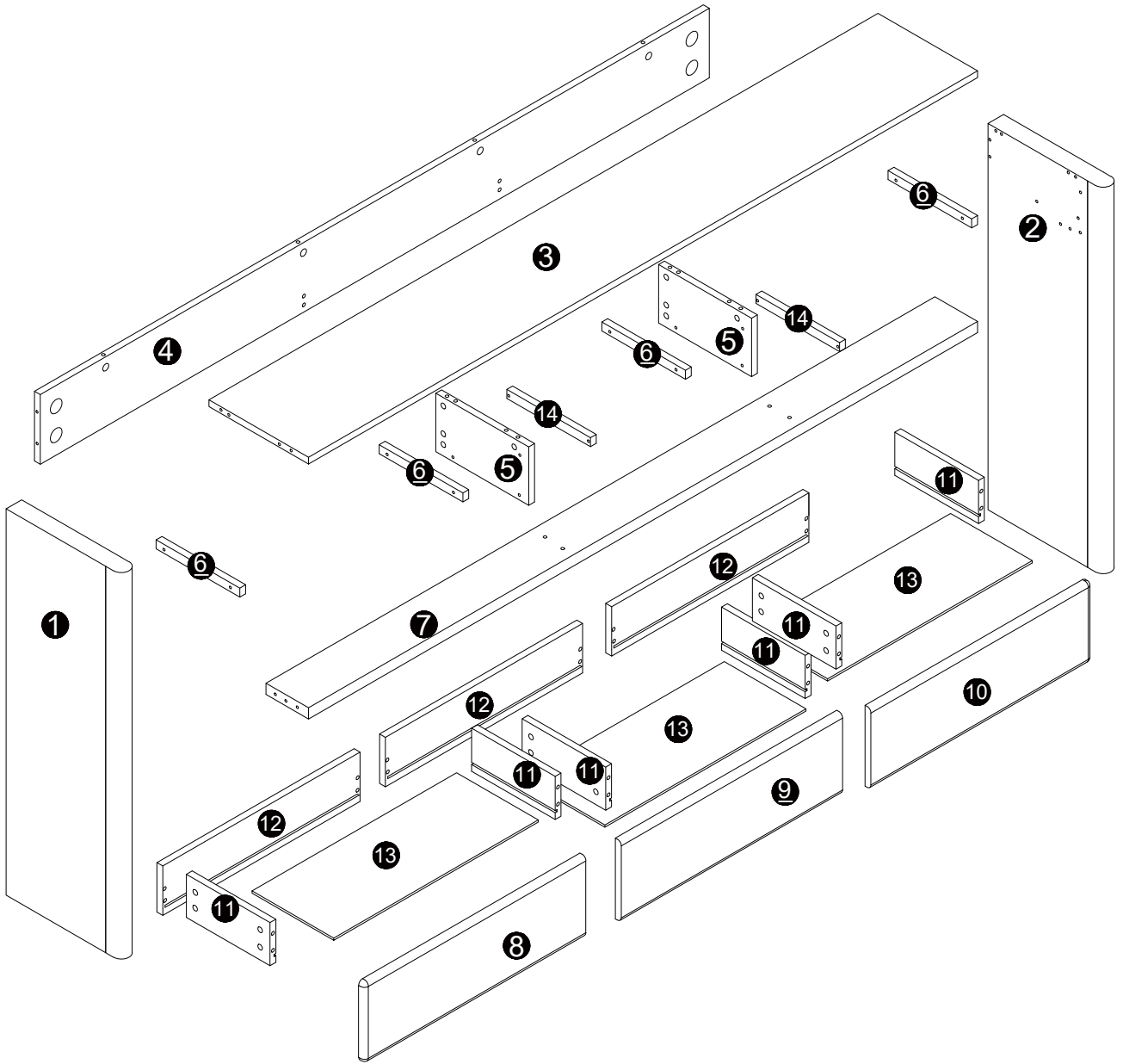
If an electric screwdriver is used, reduce power and torque to avoid damage to the product.



Install the Anti-Tip Straps

Using the anti-tip straps can reduce the risk of tipping over, but can not eliminate it.

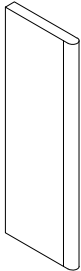
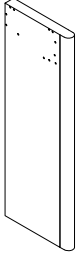
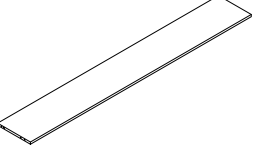
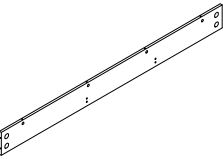
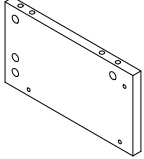
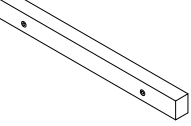
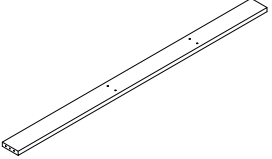
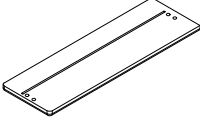
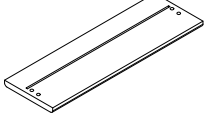
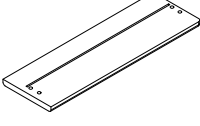
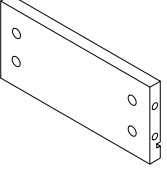
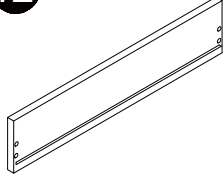
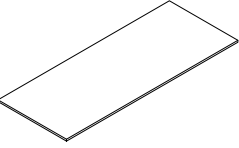
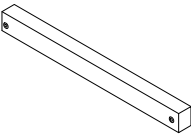




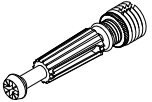
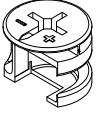
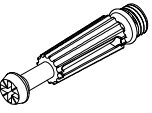
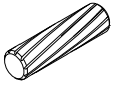
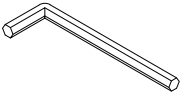


⚠ Caution

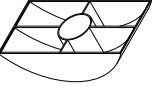

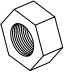
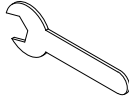
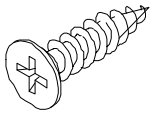
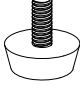
Make sure all parts are included. Most board parts are labeled or stamped on the raw edge. Contact us for a free replacement if you encounter any damaged or missing parts.

Parts List

1  1 pc	2  1 pc	3  1 pc	4  1 pc	5  2 pcs
6  4 pcs	7  1 pc	8  1 pc	9  1 pc	10  1 pc
11  6 pcs	12  3 pcs	13  3 pcs	14  2 pcs	

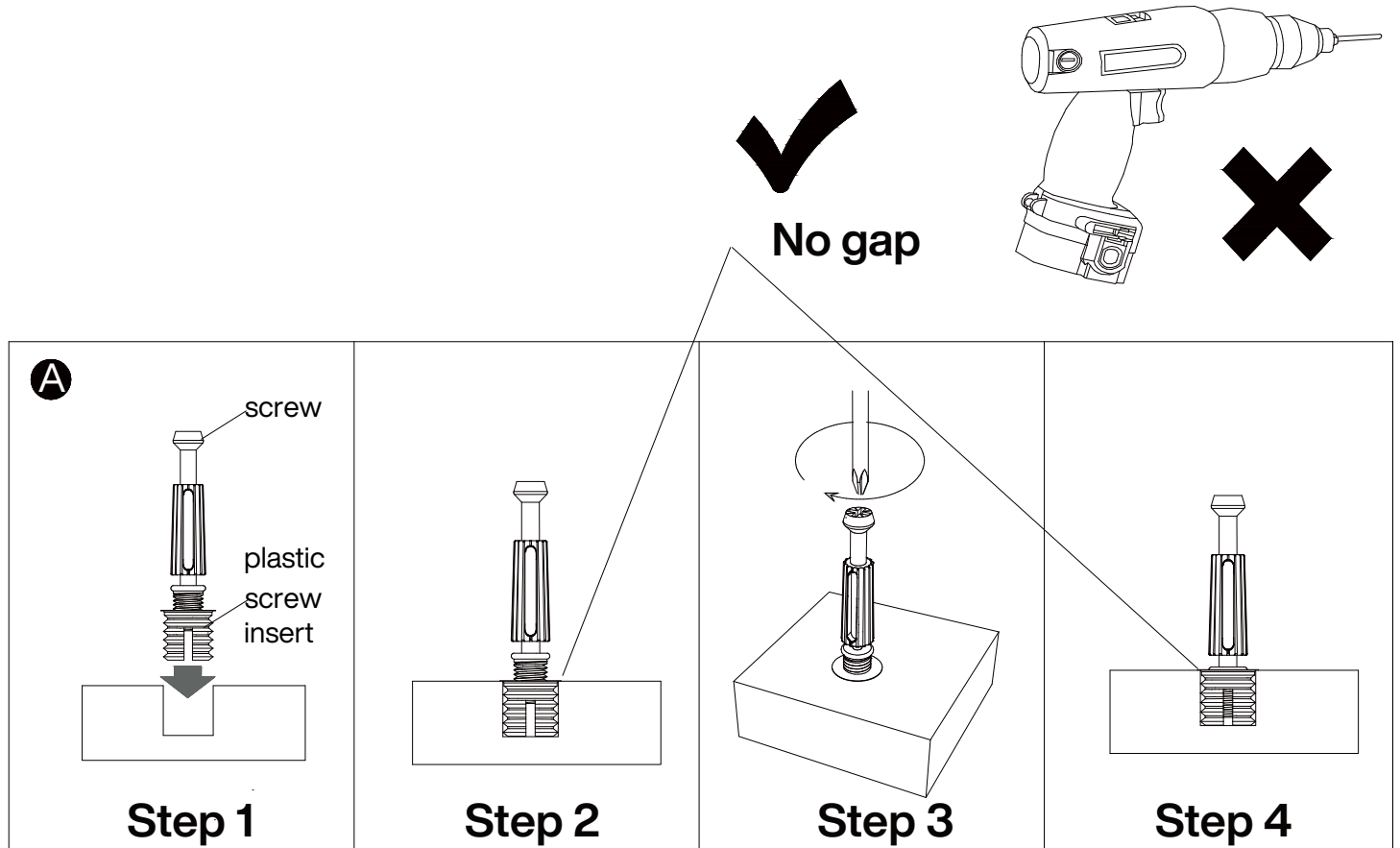
Hardware List

A	B	C	D	E	F	G
						
M6x40mm	Ø15x12mm	M7.8x30mm	M7.8x30mm	M4x65	Ø7x47mm	
39 pcs	37 pcs	5 pcs	11 pcs	1 pc	4 pcs	2 pcs

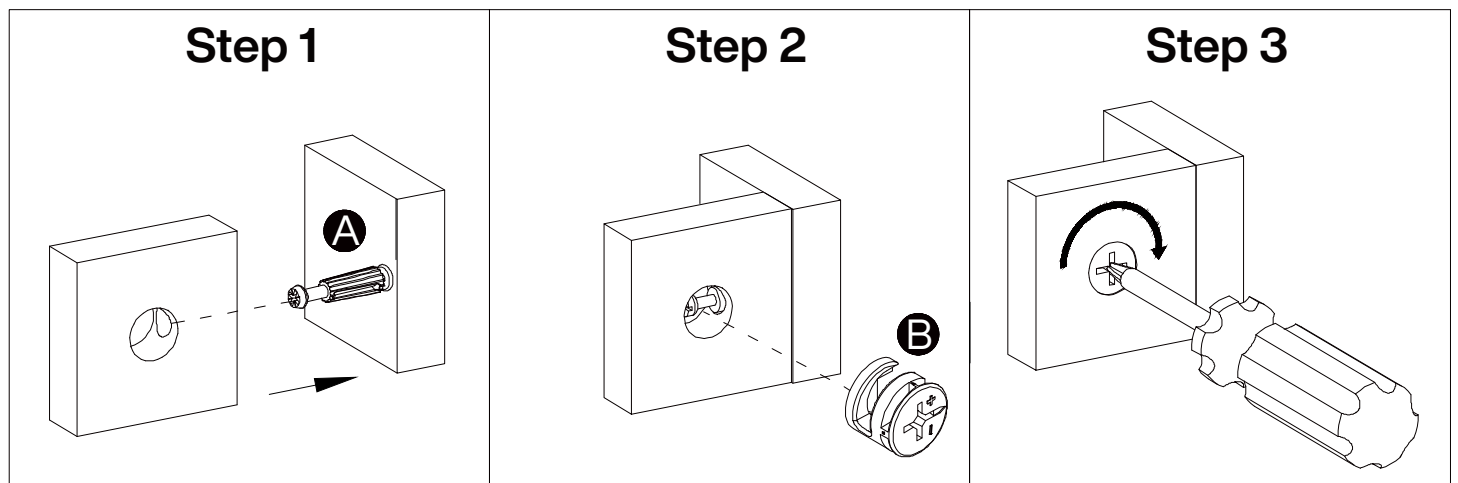
H	I	J	K	L	M	
						
M6x30mm	M6x70mm	M6x10x5mm	M6	Ø3.5x25mm	Ø23x8mm	
12 pcs	12 pcs	12 pcs	1 pc	13 pcs	4 pcs	

Installation of Cams and Pins


Step 1-2: Align the plastic part with the mounting hole and press it in. If you can't press it in, loosen the screw counter clockwise or completely remove the screw from the plastic part and try again.
Step 3-4: After pressing the plastic part into place, use a screwdriver to tighten the screw clockwise.

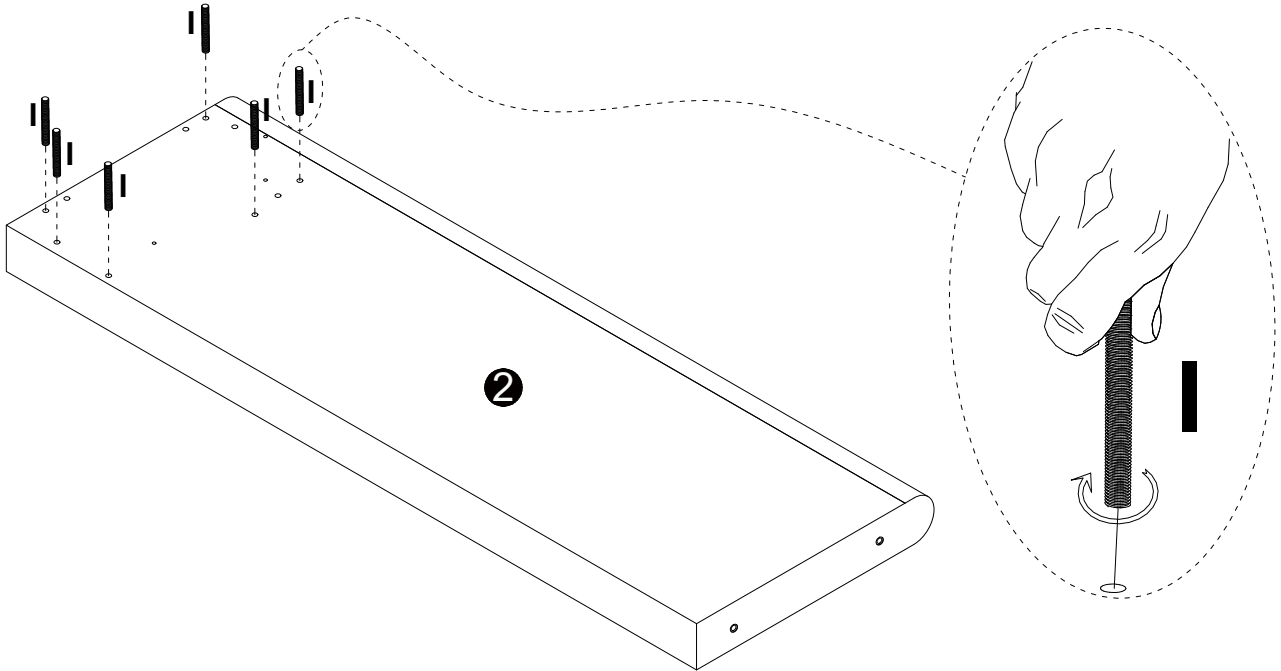


Screw the pin into the hole. Set the cams correctly by aligning the head of the cams with the lock pins. Lock the cam by turning the cam head with a screwdriver until it is tightened. Please do not use an electric screwdriver to assemble the unit.




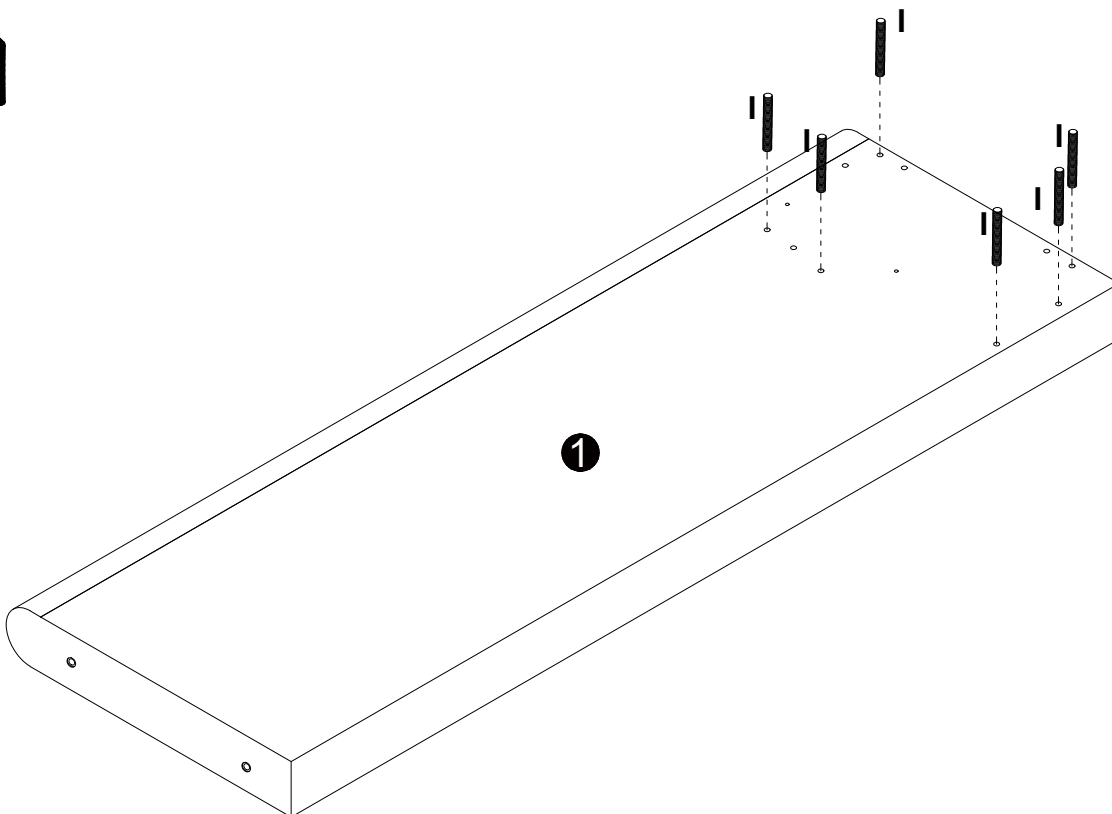
1

I

M7.8x30mm
6 pcs

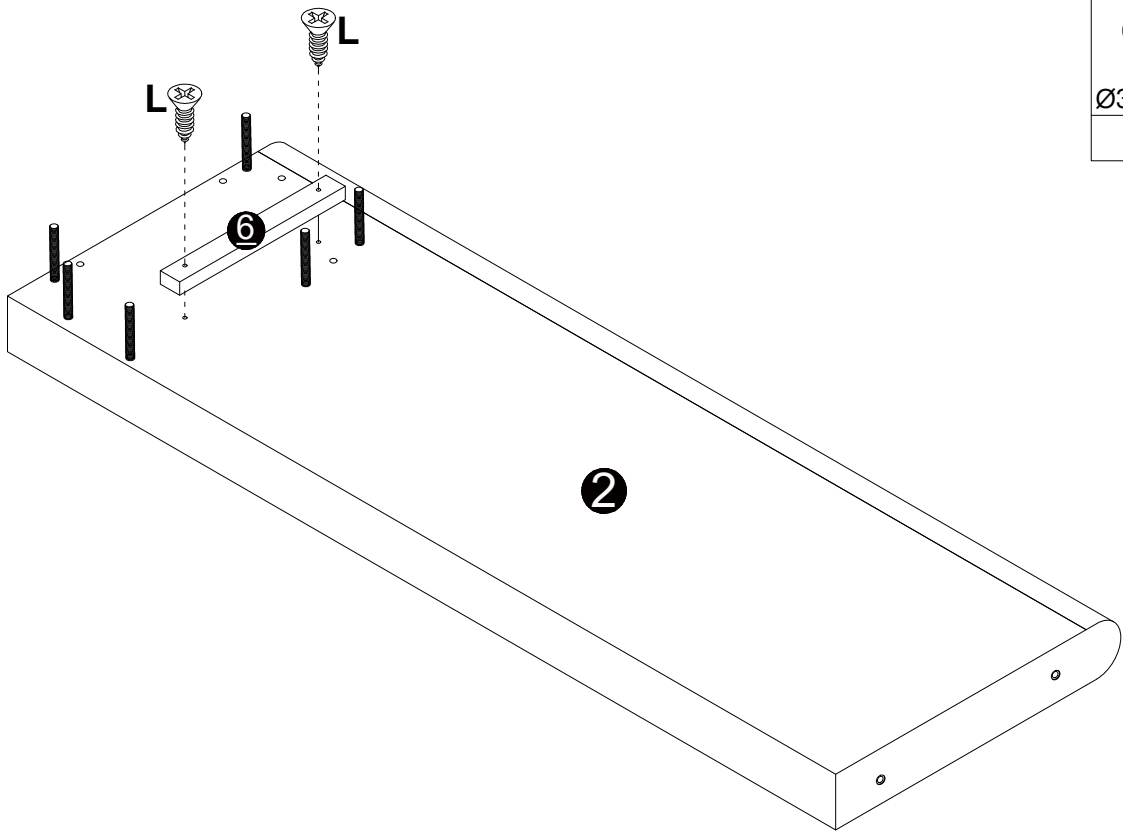


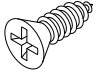
2

I

M7.8x30mm
6 pcs

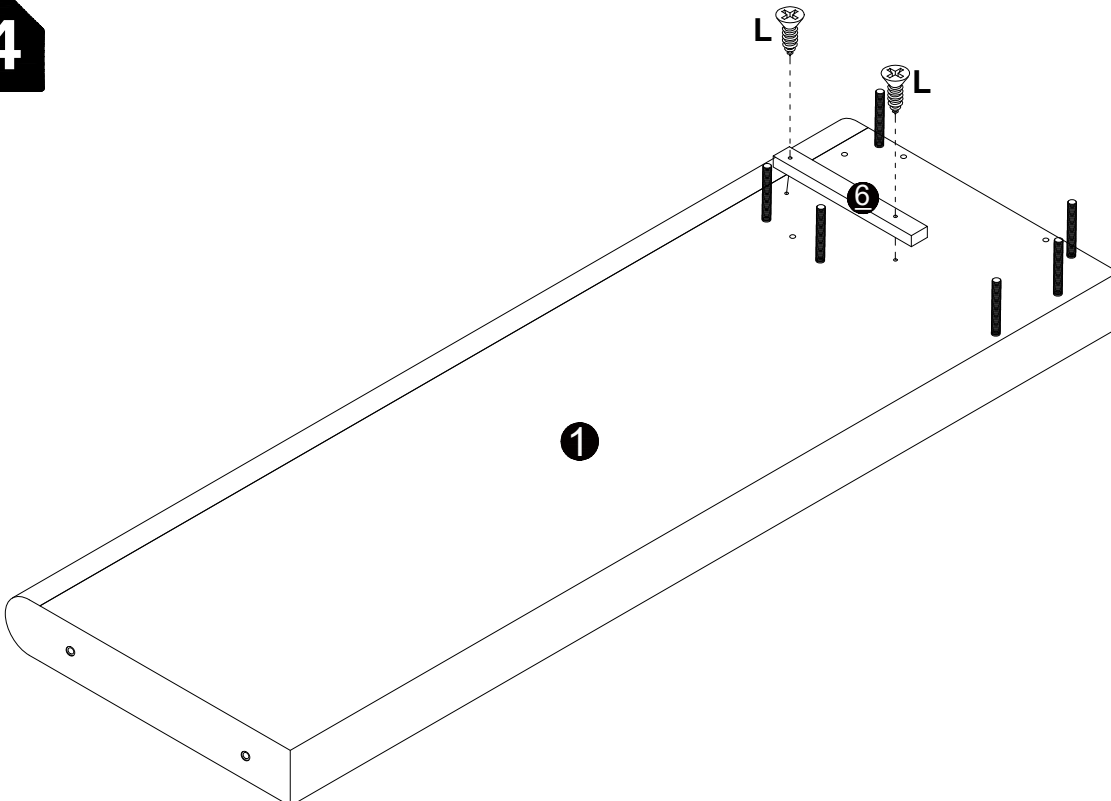


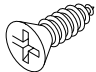
3



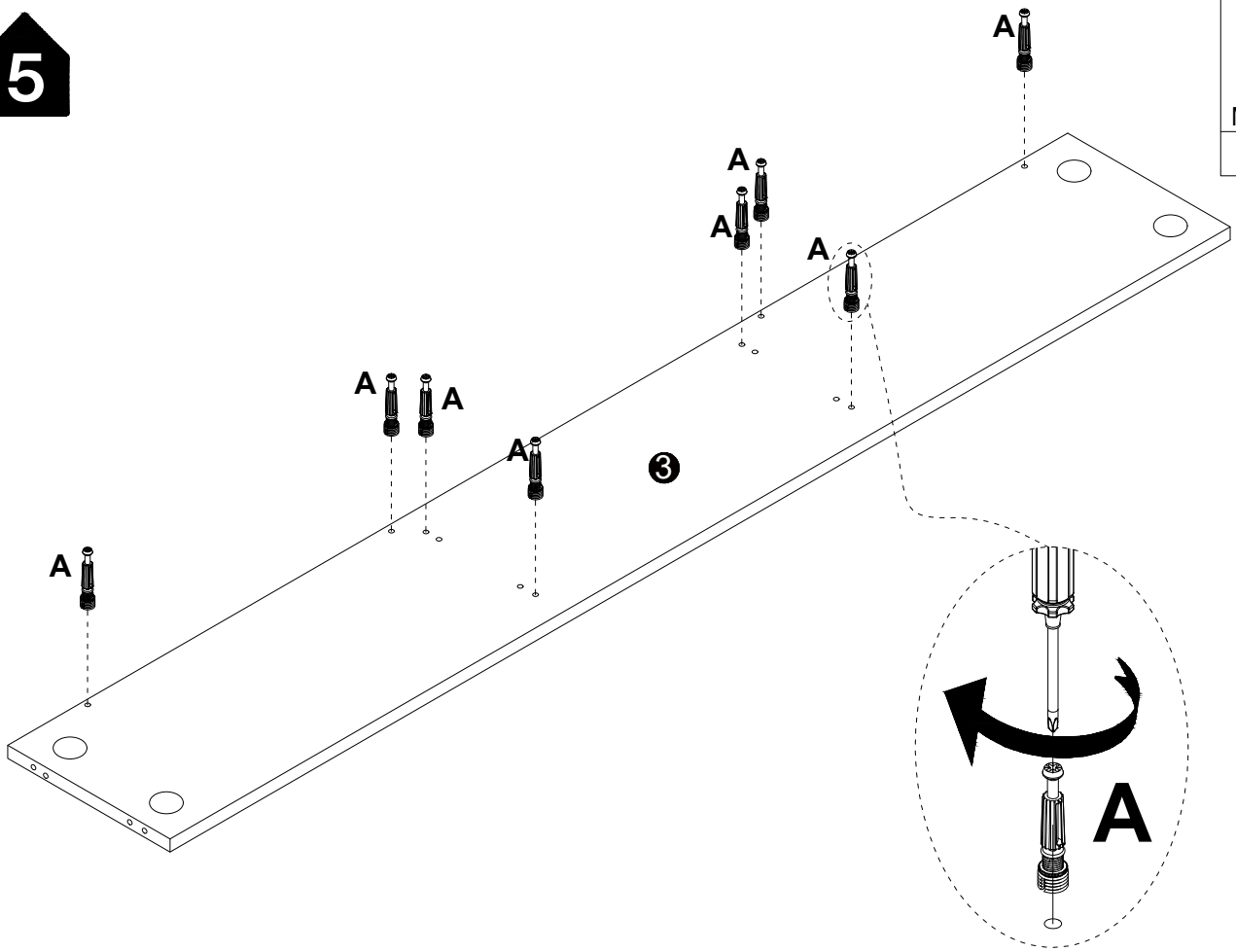
L

Ø3.5x25mm
2 pcs


4



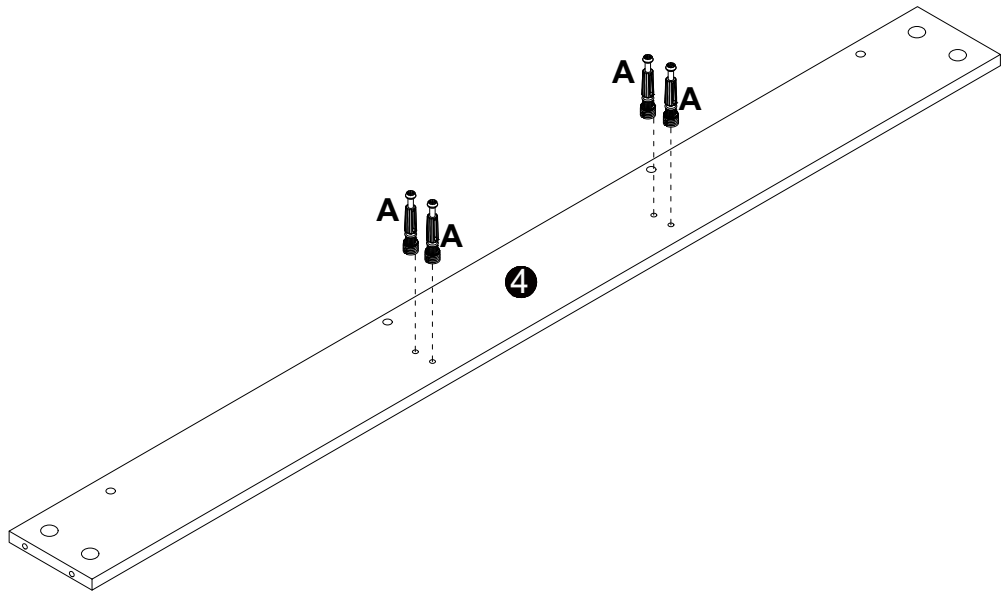
L

Ø3.5x25mm
2 pcs


5



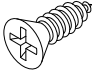
A

M6x40mm
8 pcs

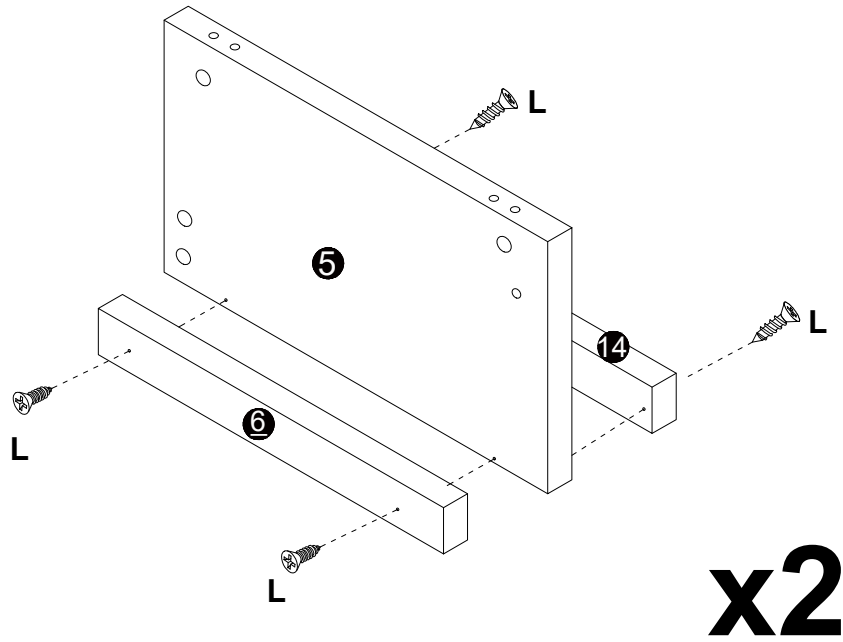
6




A

M6x40mm
4 pcs

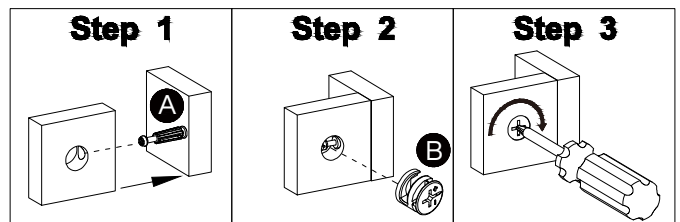
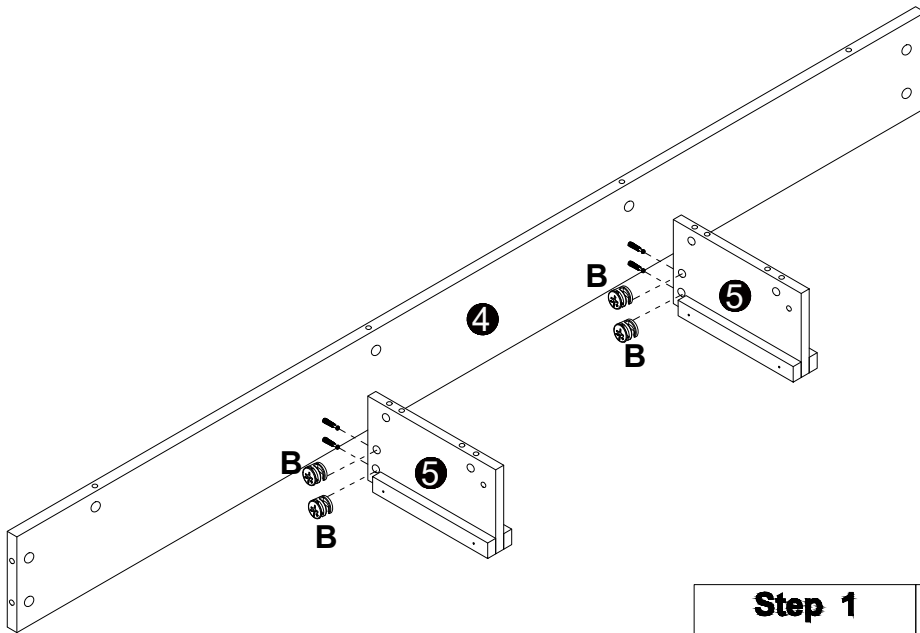
7

L

Ø3.5x25mm
8 pcs

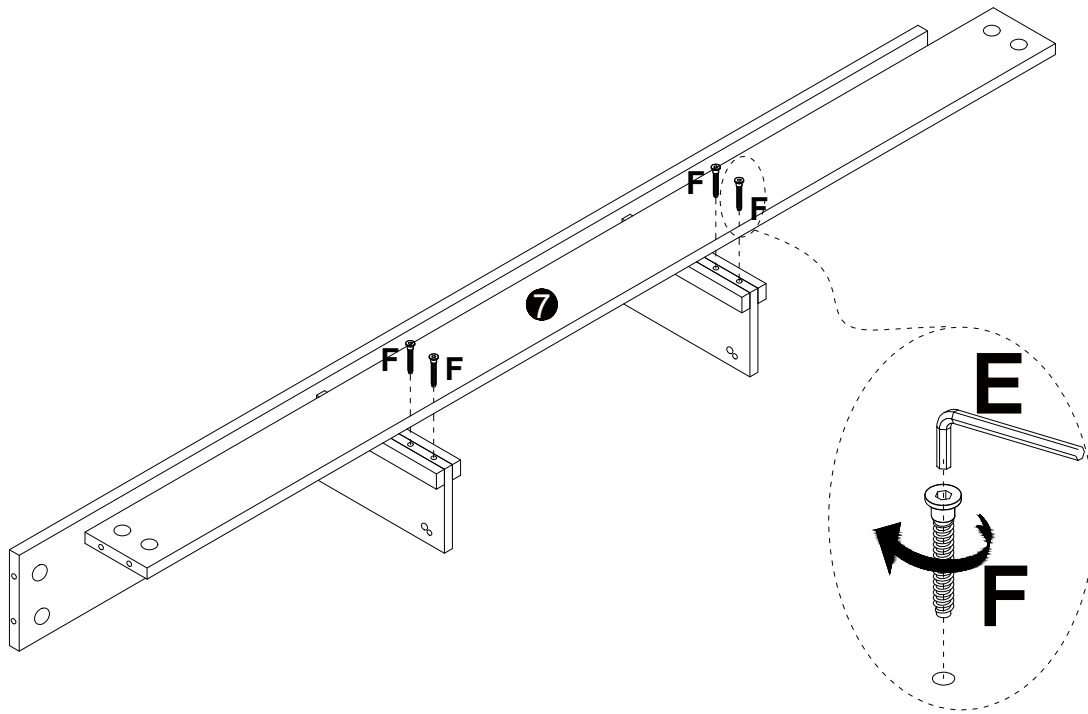



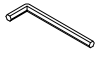
8

B

Ø15x12mm
4 pcs

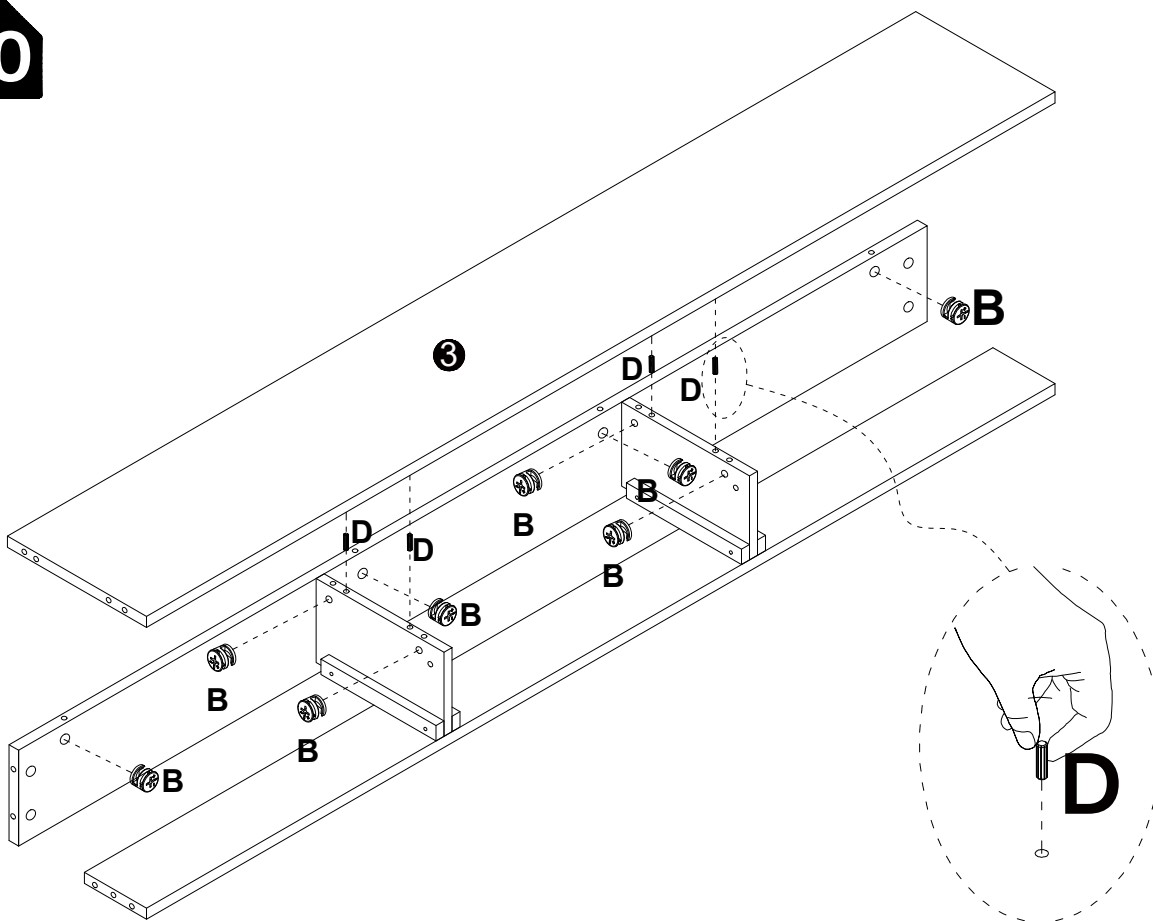




9



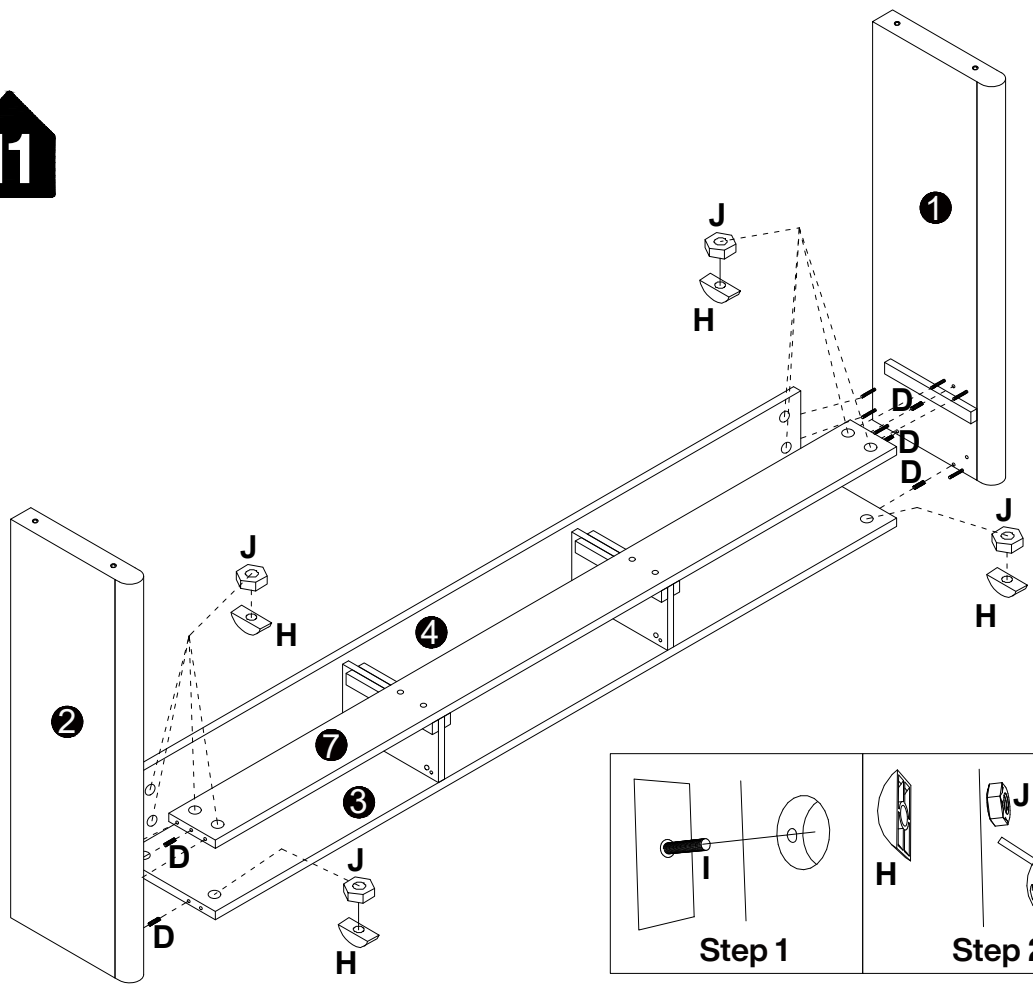
F

Ø7x47mm
4 pcs
E

M4x65
1 pc





10

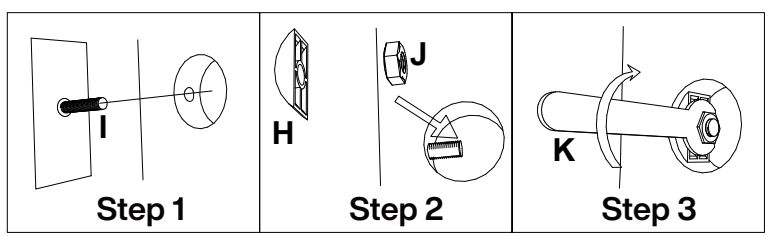


B

Ø15x12mm
8 pcs
D

Ø7.8x30mm
4 pcs

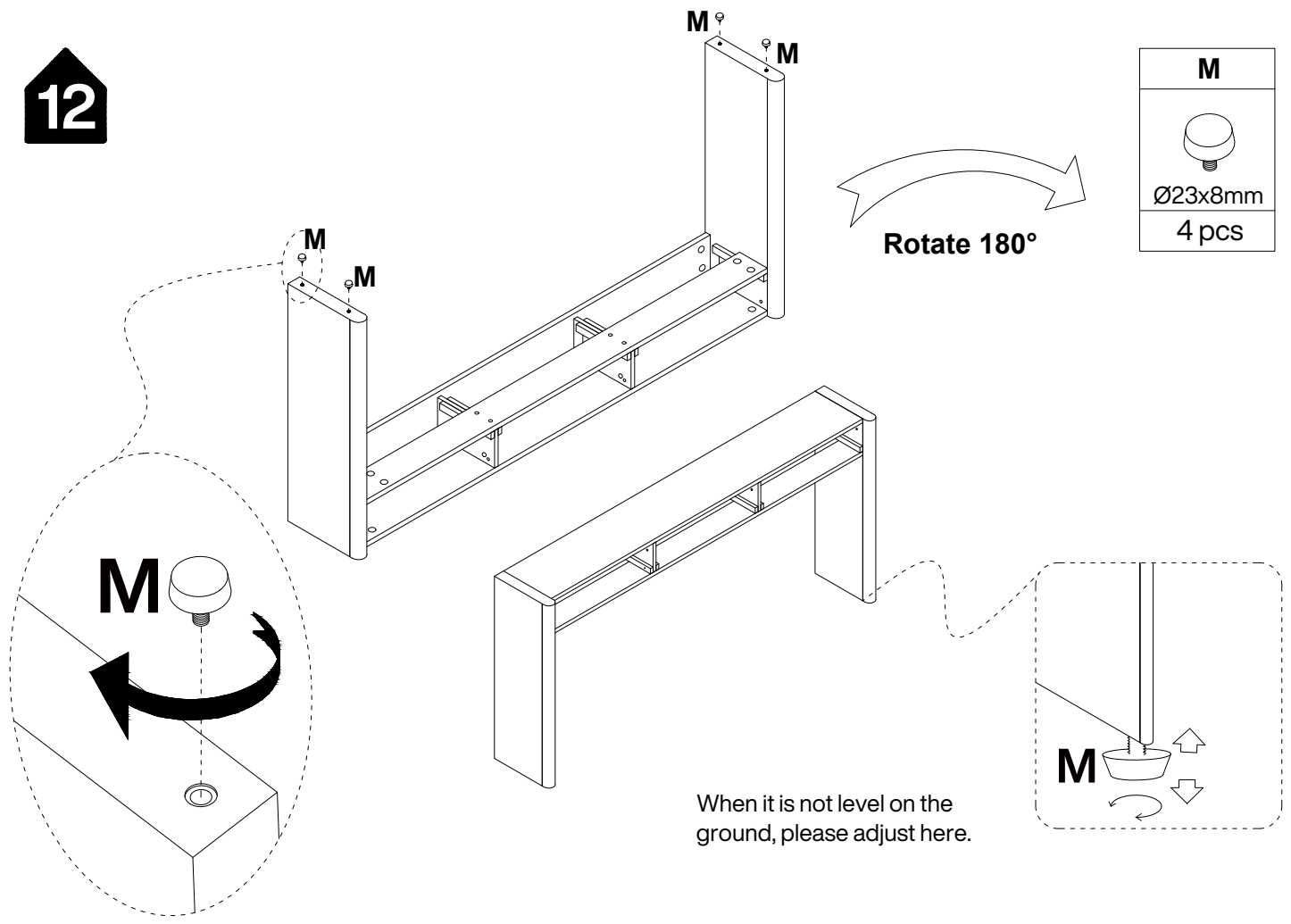
11




D	J
	
Ø7.8x30mm	Ø3.5x25mm
6 pcs	12 pcs
H	K
	
M6x30mm	M6
12 pcs	1 pc

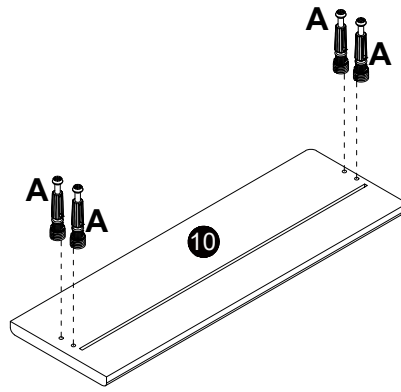
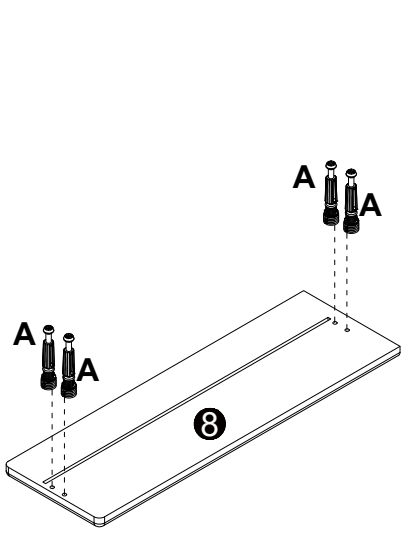



12

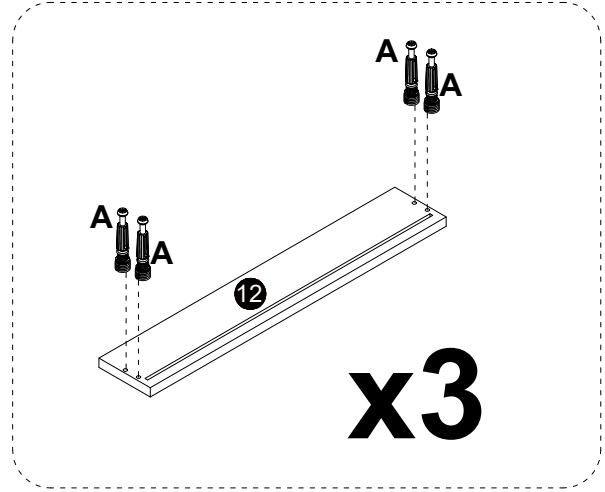
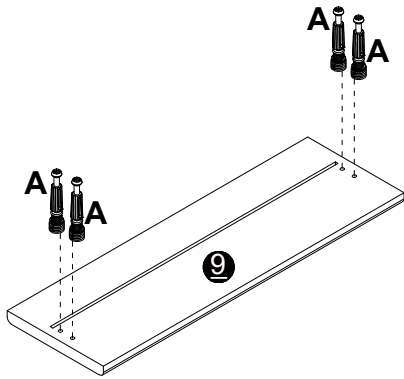


M

Ø23x8mm
4 pcs

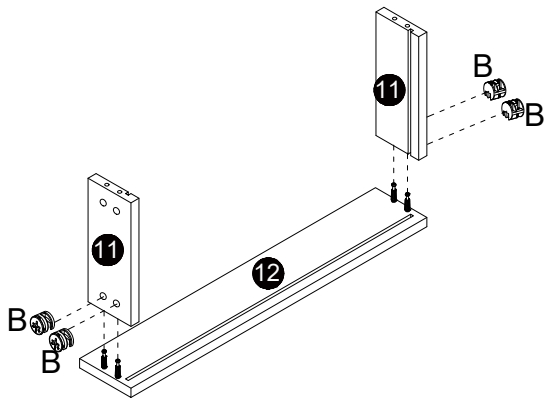
13




A

M6x40mm
24 pcs

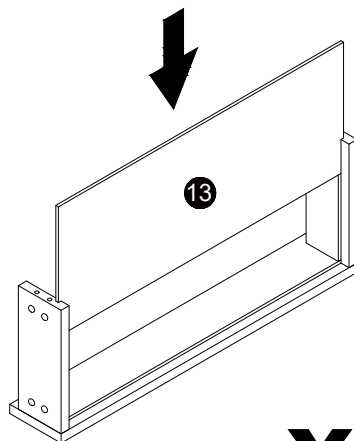


14

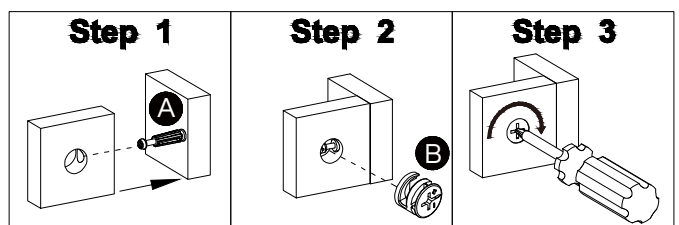


x3

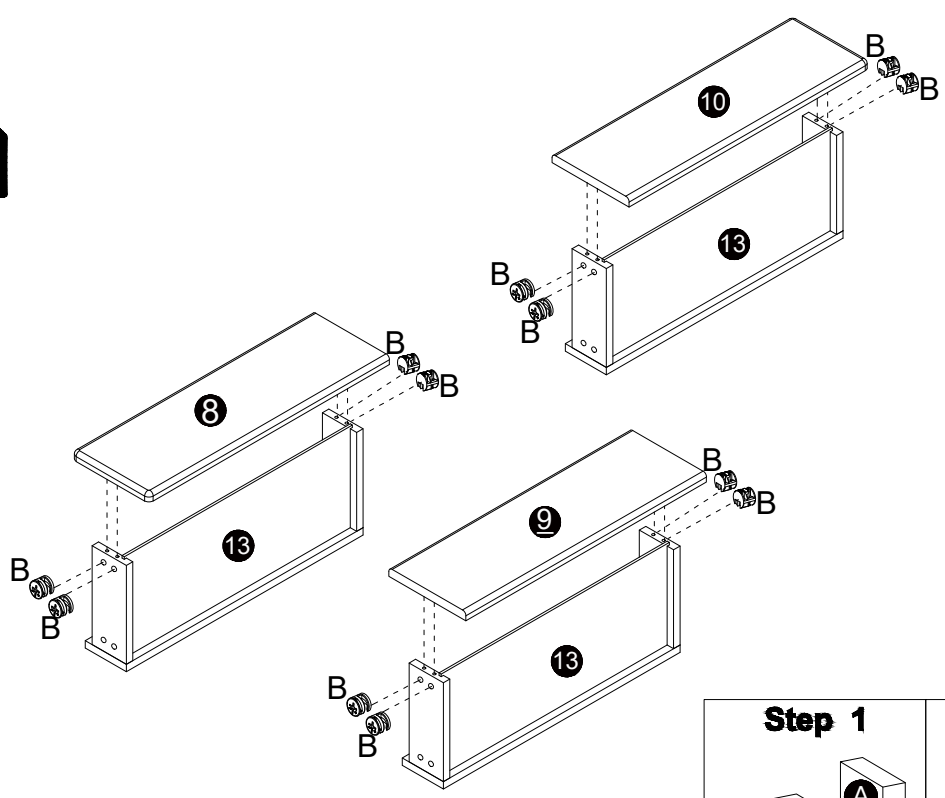
B

Ø15x12mm
12 pcs




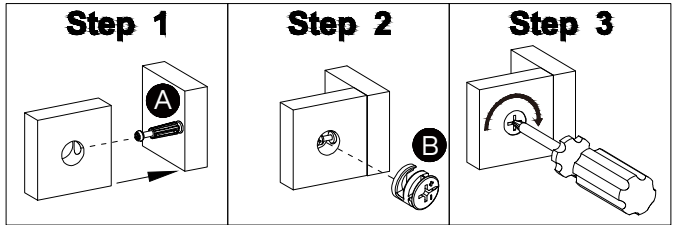
x3



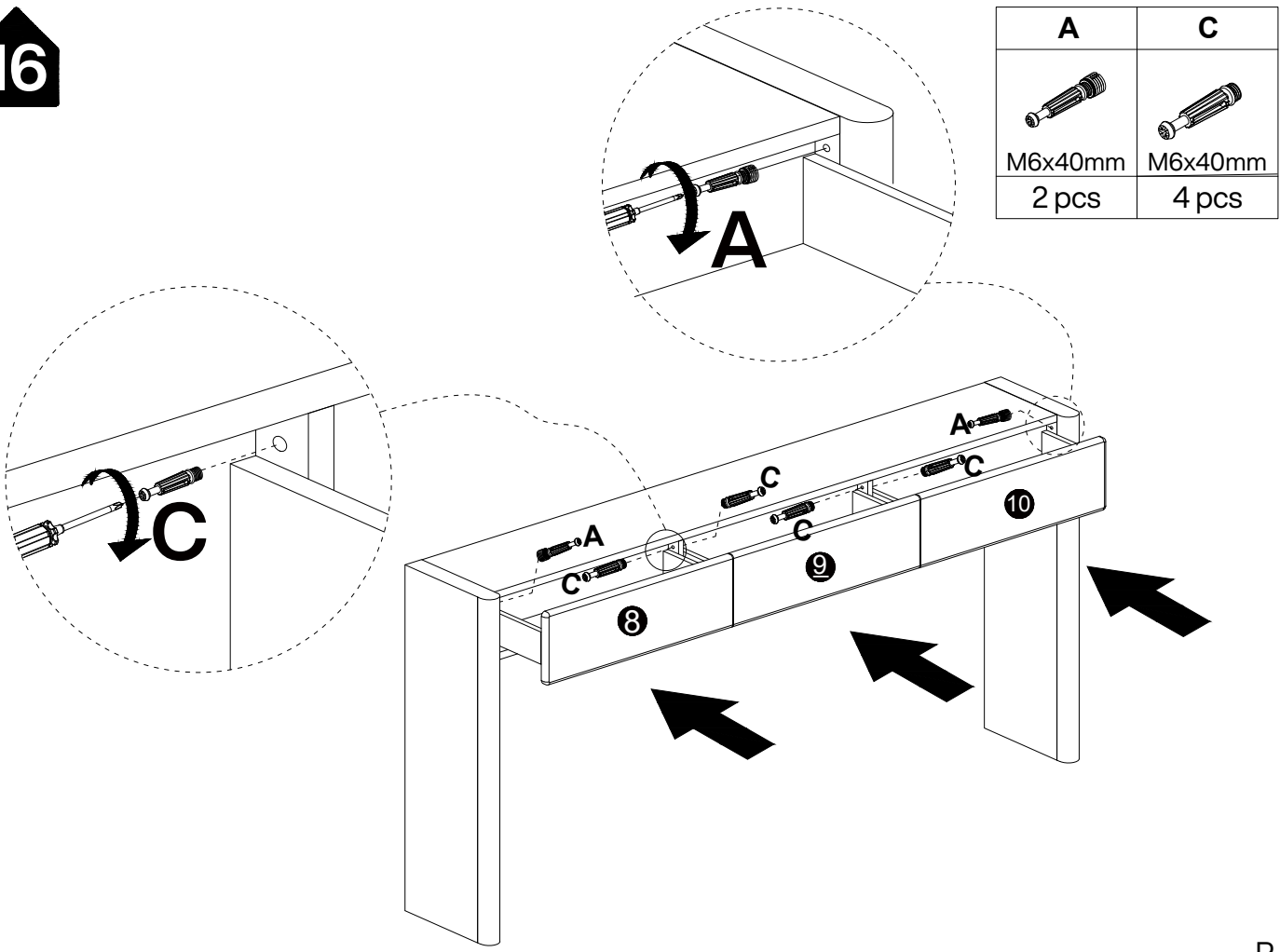
15





B

Ø15x12mm
12 pcs




16



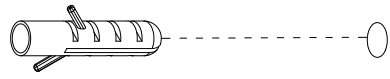
A	C
	
M6x40mm	M6x40mm
2 pcs	4 pcs

17

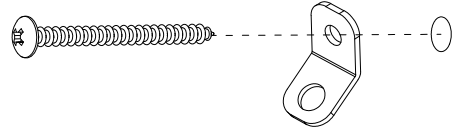
G

2 pcs

Step1

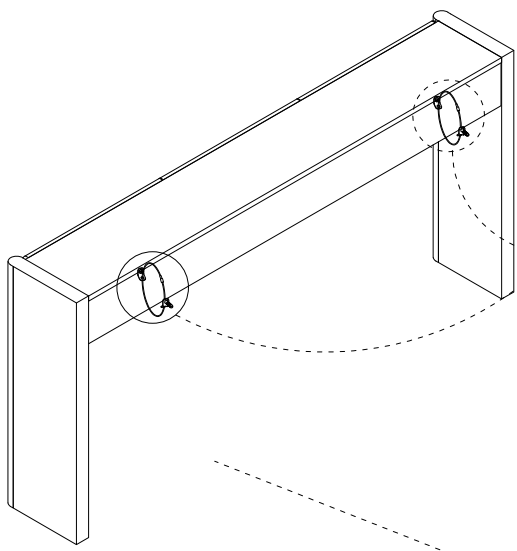
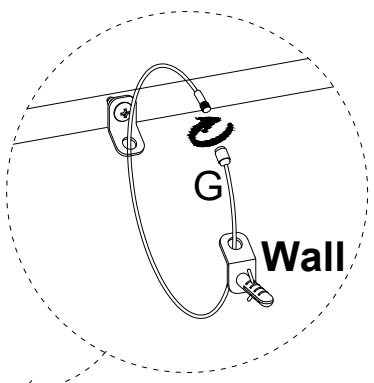
Wall



Step2



Step3



Thank you for your support!

