

4' x 8' Split Level Planter Bed



Assembly Instruction Manual

Please read instructions thoroughly before beginning assembly.

Check boxes carefully for contents listed. Some parts are packaged inside of others.

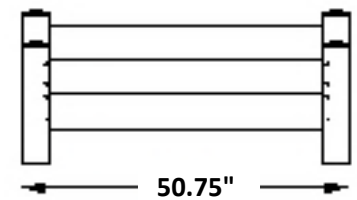
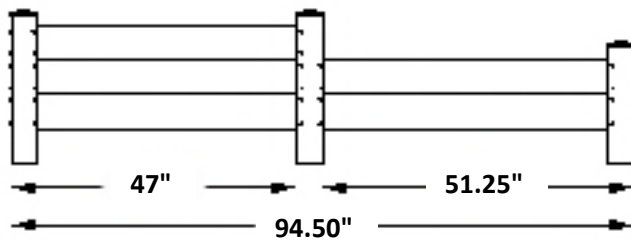
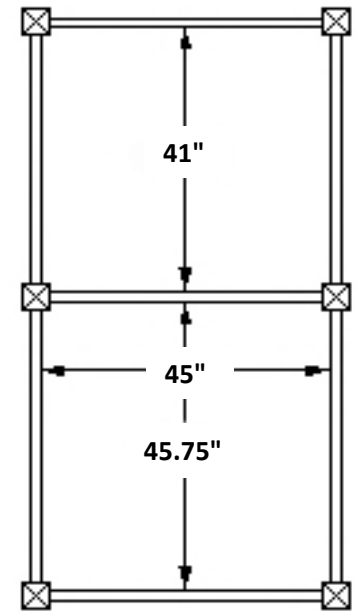
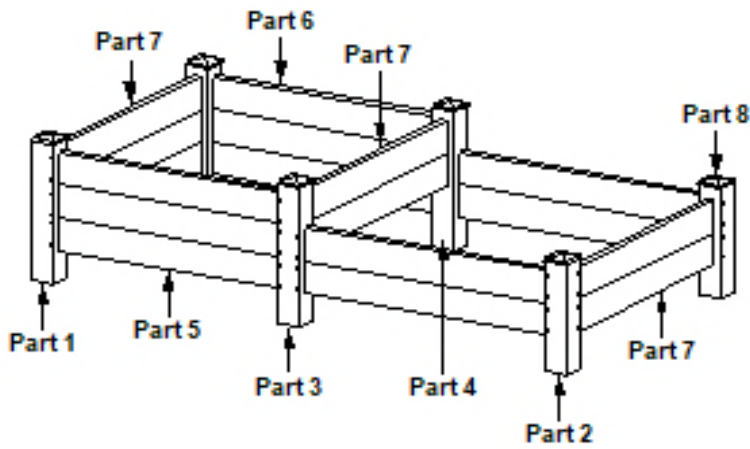
Assemble on a clean, flat, non-abrasive surface to prevent scratching.

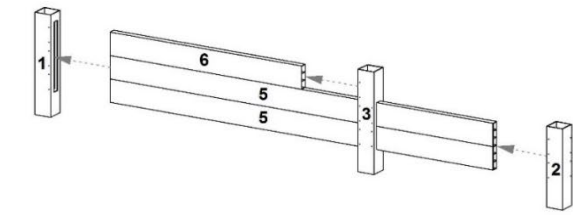
In the event of missing or damaged parts please call or email our customer service department at the contact info below.

Tools Required

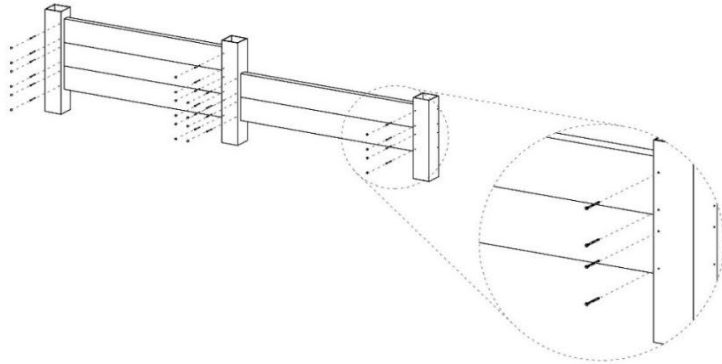
- Battery or Electric Drill (#2 phillips bit)
- Tape Measure
- Hammer or Rubber Mallet (Recommended)
- Shovel or Post Hole Digger (Recommended)
- PVC, Super or Crazy Glue

Part #	Description	Dimension	Box #	Qty
1	Corner Post	4" square x 24"	2	2
2	Corner Post	4" square x 19"	2	2
3	Line Post – Left	4" square x 24"	2	1
4	Line Post – Right	4" square x 24"	2	1
5	Rail	1 ½" x 5 ½" x 94"	1	4
6	Rail	1 ½" x 5 ½" x 46 ½"	1	2
7	Rail	1 ½" x 5 ½" x 45"	2	7
8	Flat Cap	4" square	2	6
9	Hardware Bag (Includes):		2	1
	▪ Painted Screw	2"		68

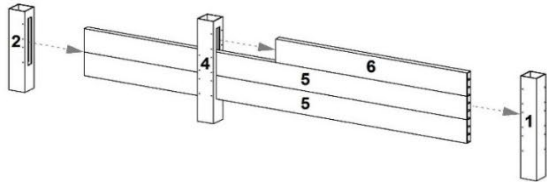




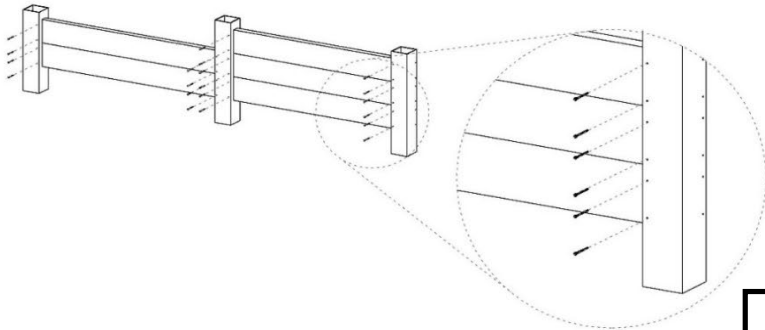
1 Insert ends of two 1 ½" x 5 ½" x 94" rails (part 5) and one 1 ½" x 5 ½" x 46.5" (part 6) into one 4" x 4" x 24" corner post (part 1). Slide ends of the 96" rails through and insert the free end of the 46.5" rail into one 4" x 4" x 24" left line post (part 3). Insert free end of the 94" rail into one 4" x 4" x 19" corner post.



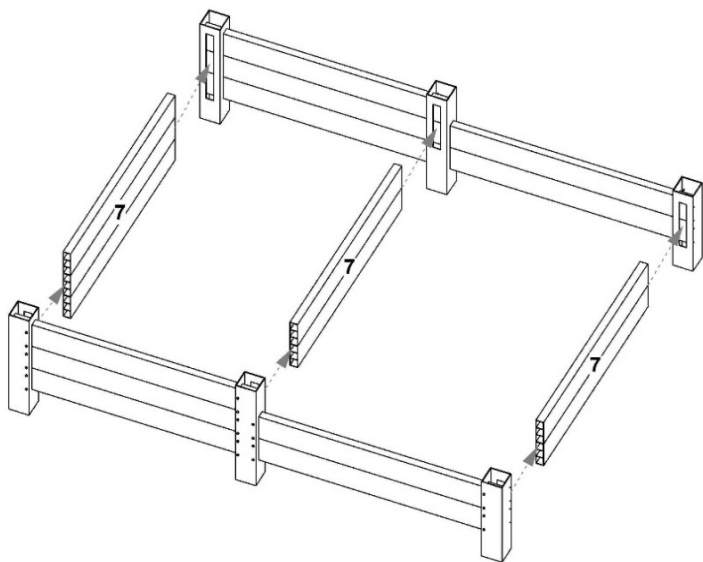
2 Using 2" screws, screw together the planter bed side. Be sure all the parts are fully inserted into the posts before securing them.



3 Insert ends of two 1 ½" x 5 ½" x 96" rails (part 5) and one 1 ½" x 5 ½" x 46.5" (part 6) into one 4" x 4" x 24" corner post (part 1). Slide ends of the 96" rails through and insert the free ends of the 46.5" rail into one 4" x 4" x 24" right line post (part 4). Insert free end of the 94" rails into one 4" x 4" x 19" corner post (part 2).

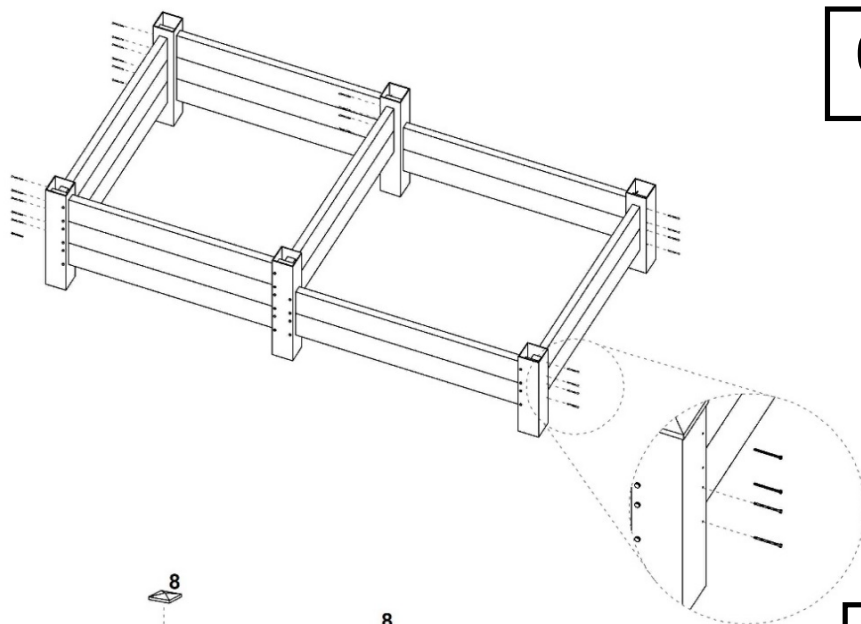


4 Using 2" screws, screw together the planter bed side. Be sure all the parts are fully inserted into the posts before securing.



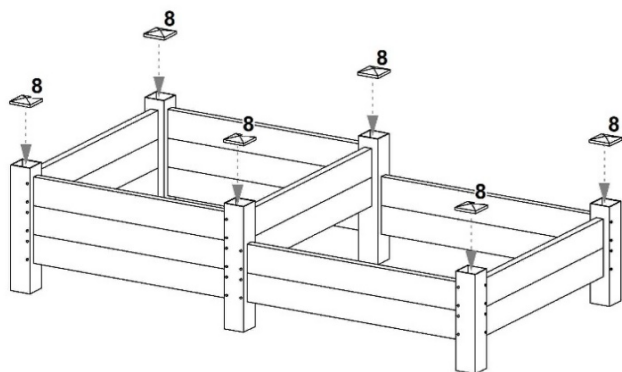
5

Insert ends of seven 1 ½" x 5 ½" x 45" rails (part 7) into remaining routed holes of posts to form the planter bed.



6

Using 2" screws, screw together the planter bed. Be sure the 45" rails are inserted to meet the 46.5" and 94" rails. Seven 45" rails will not fully insert into the posts.



7

Apply PVC or super glue to inner edges of six 4" sq. flat caps and place on top of each post.

To install, dig six holes 6" deep. The overall outside dimensions are 96 ¼" x 50 ½".

Warranty Statement

20 Year Guarantee

Products are warranted to be free from manufacturing defects resulting in delaminating, peeling, flaking, corroding, cracking, crazing, or extreme amounts of fading or bleaching causing the PVC to change to its natural color for a period of 20 years from the date of purchase.

Normal weathering is defined as exposure to sunlight and extremes of weather and atmosphere which will cause any colored surface to gradually fade.

CONDITIONS NOT COVERED BY THIS WARRANTY:

- A. Physical abuse, misuse, neglect, or improper storage.
- B. Improper installation or installation not in strict adherence to the instructions written
- C. This warranty does not apply if materials are painted, varnished, or coated with any substance.
- D. Is not responsible for damages to product during shipping.
- E. Damage attributable to atmospheric pollutants, hail, lightning, hurricane, tornado, wind borne objects, earthquake, fire, mildew, casualty, act of God, building or ground settlement, or subjection to stress or weight.

CLAIMS AND REMEDIES:

If a product is determined to have a manufacturing defect which is covered by this warranty, will replace the material containing the defect (labor not included) F.O.B from the point of manufacture. will not be responsible for any cost incurred in the removal or reinstallation of the product.

Important: All claims must be sent to the following address and should describe the defect claim.

Reserves the right to discontinue or change its design and/or color. If the original color or style is not available, shall have the right to substitute a product designated shall not be liable for any incidental, special, or consequential damages arising out of the use of these products.