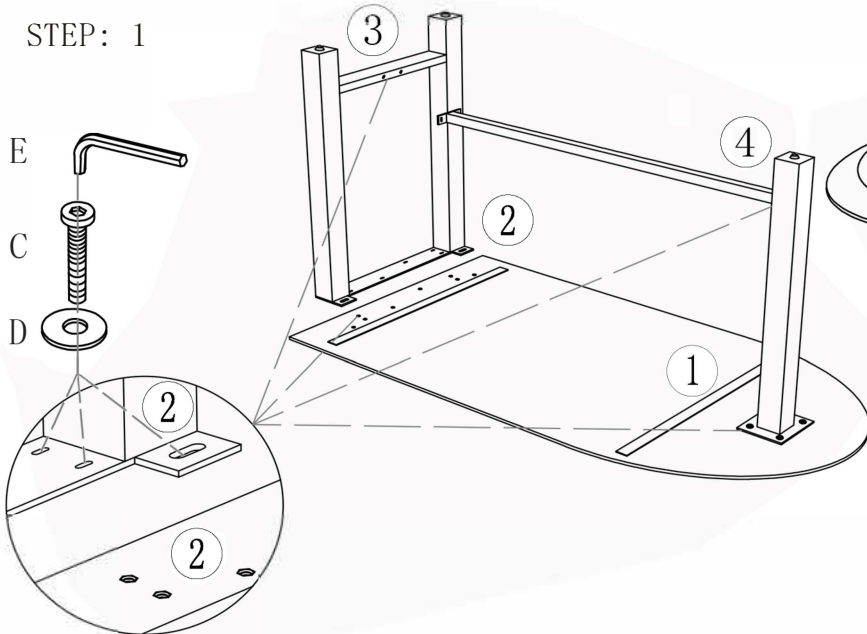


Assembly Instructions

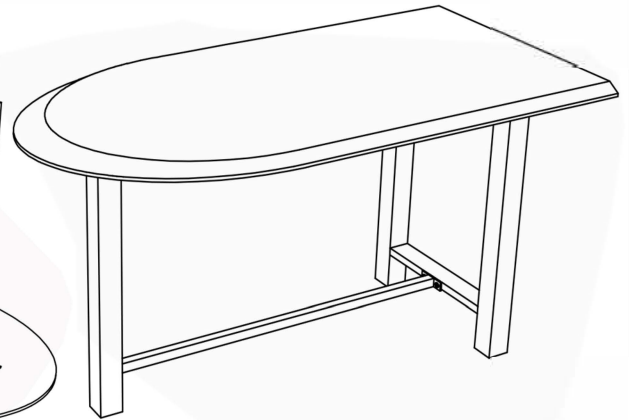
Thank you for purchasing this quality product. Be sure to check all packing material carefully for small parts that may have come loose inside the carton during shipment. (Note: Loosely thread all screws/bolts first. Once the item is assembled then completely tighten.)

PARTS LIST:				HARDWARE LIST:				
NO	Description	Sketch	Quantity	NO	Sketch	Description	Size	Quantity
A	Top		1	C		Bolt	Ø5/16" *1 1/2"	16
				D		lock washer	Ø5/16" *3/4"	16
B	Leg		1	E		allen wrench		1

STEP: 1



FINISH:



ADJUSTABLE LEVELERS

