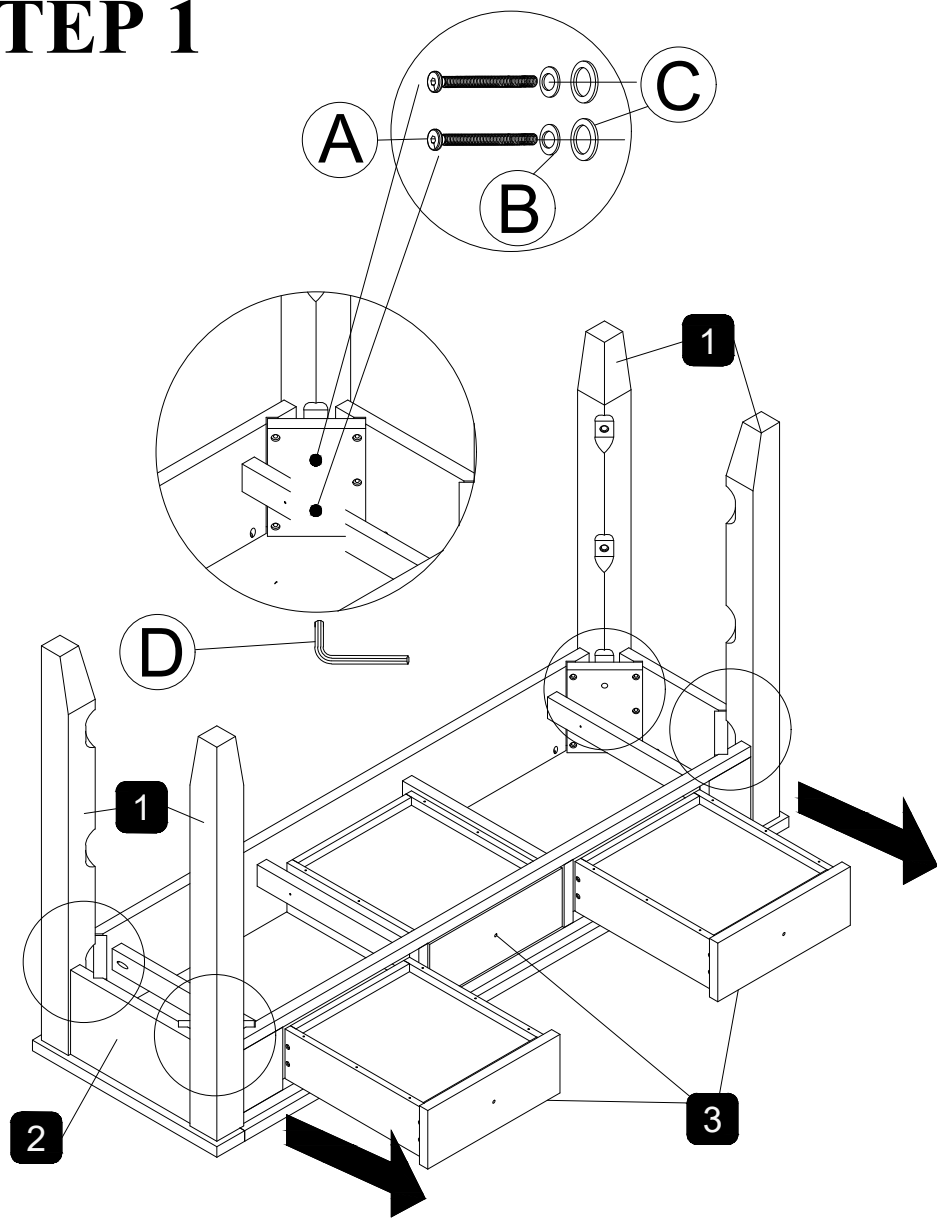
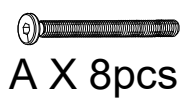
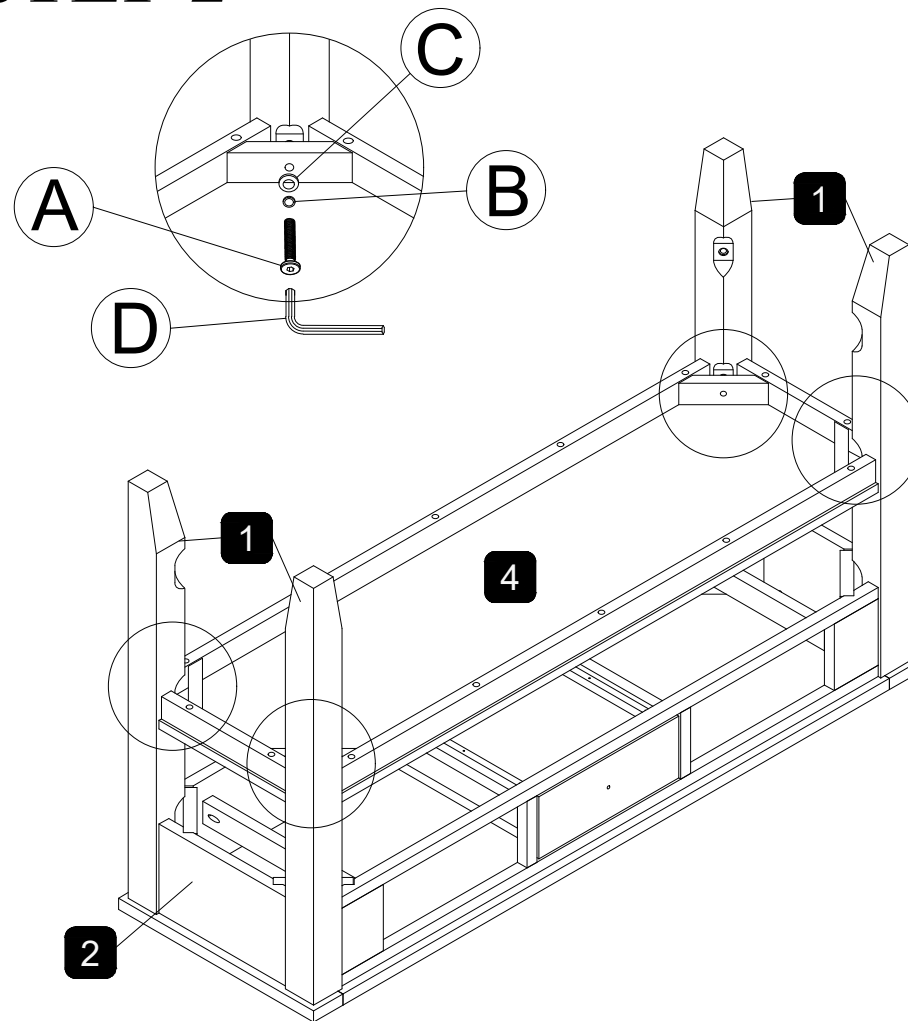


STEP 1



STEP 2



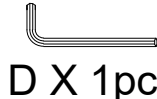
A X 8pcs



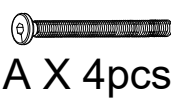
B X 8pcs



C X 8pcs



D X 1pc



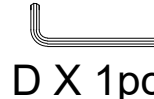
A X 4pcs



B X 4pcs

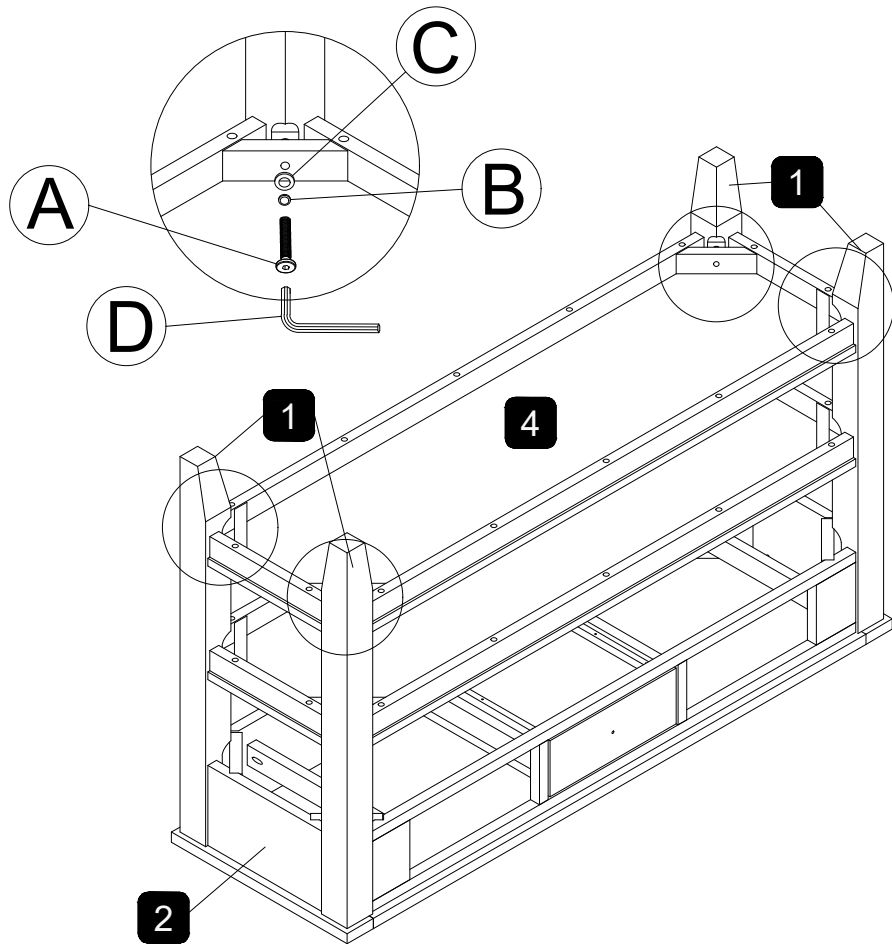


C X 4pcs

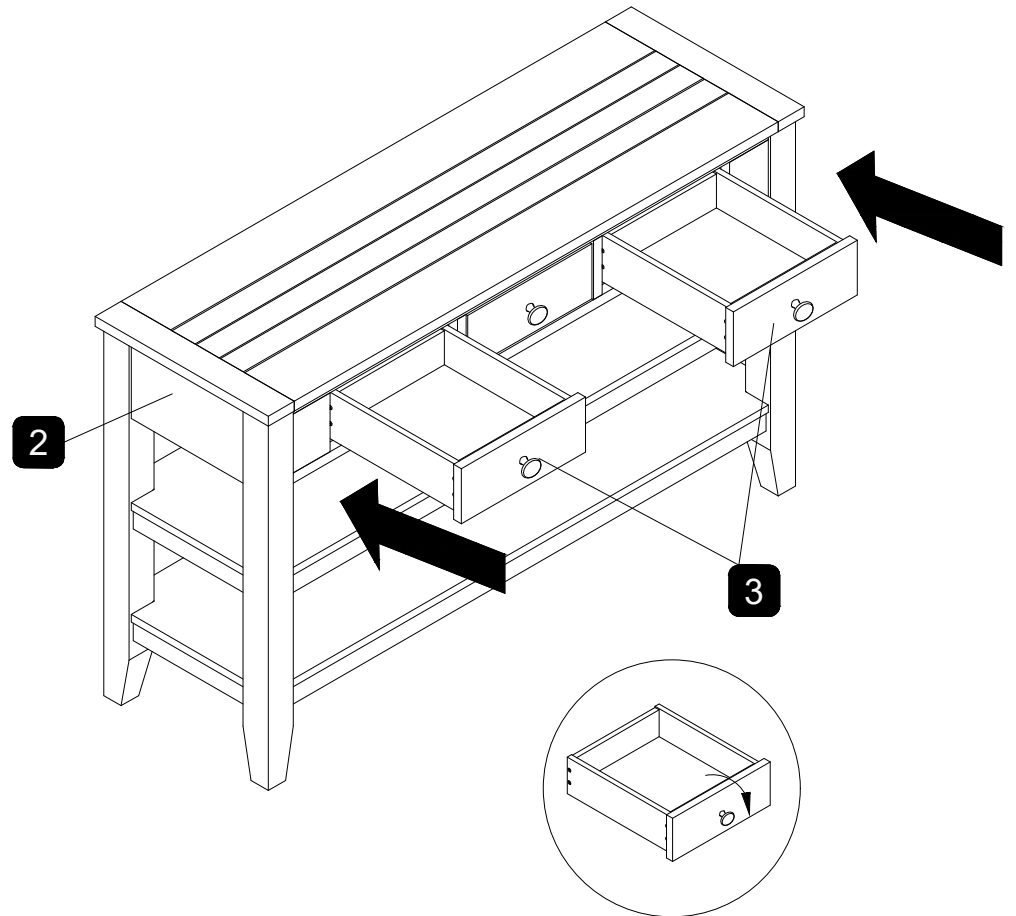


D X 1pc

STEP 3



STEP 4



****HANDLE ATTACHED TO DRAWER,
SWITCH THE HANDLE FROM INNER
TO EXTERNAL OF DRAWER.****



A X 4pcs



B X 4pcs



C X 4pcs



D X 1pc