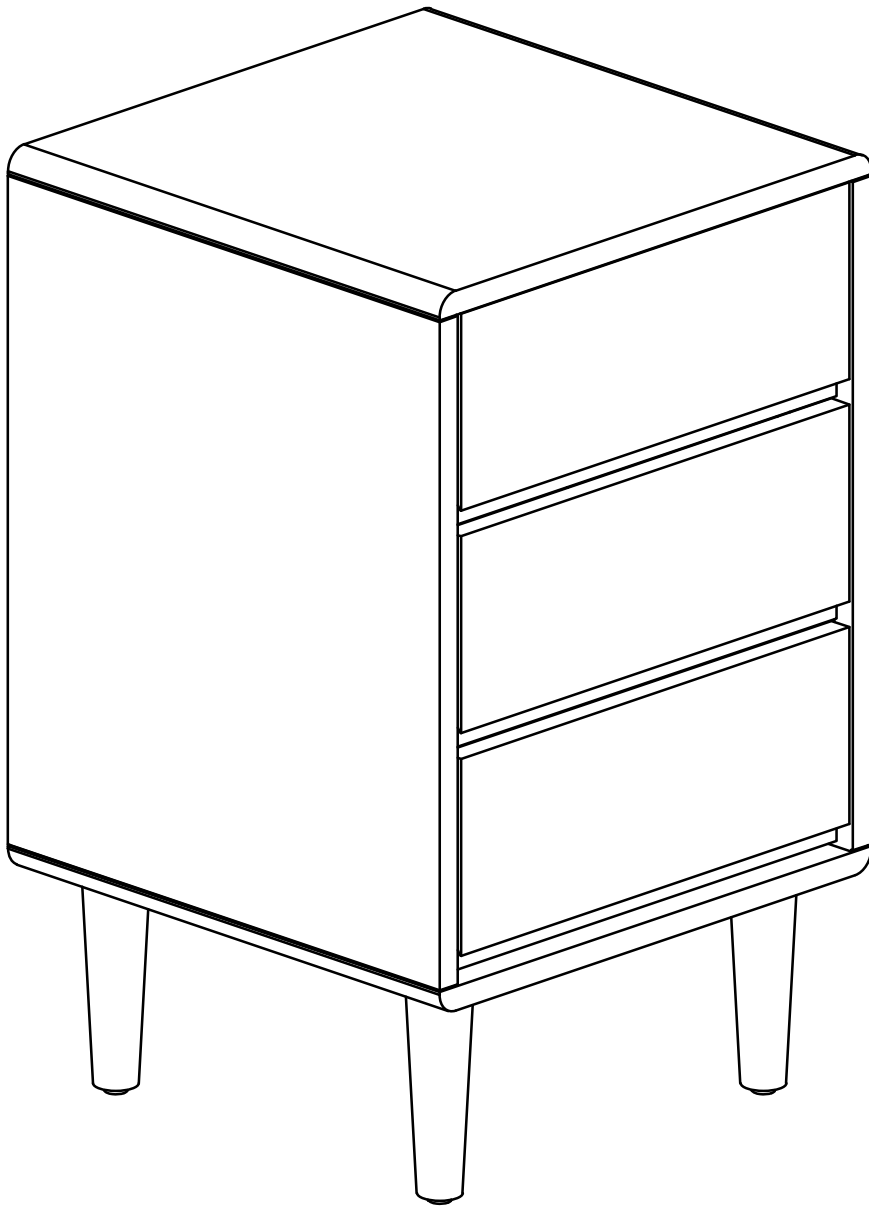
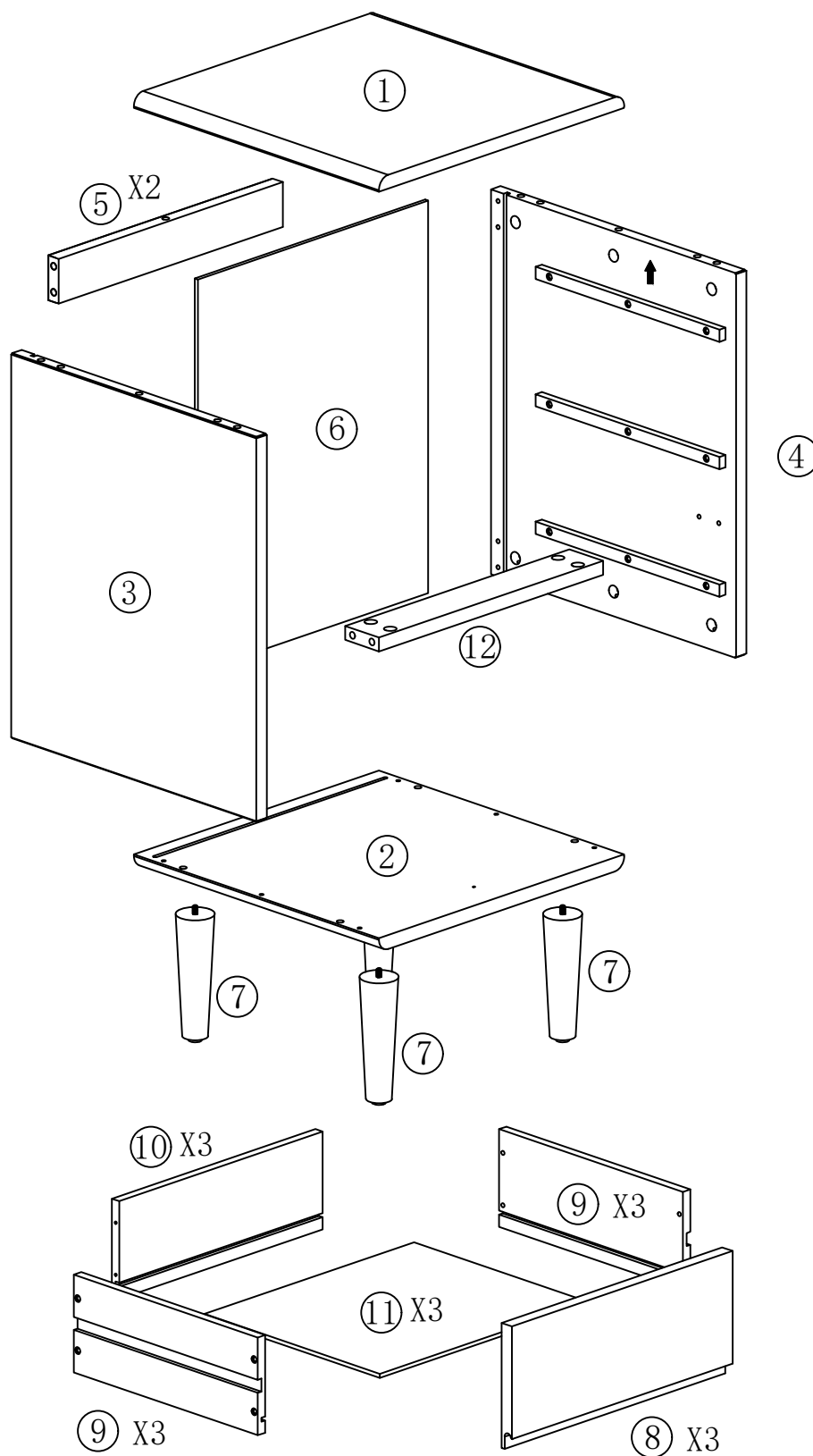


Installation & Assembly

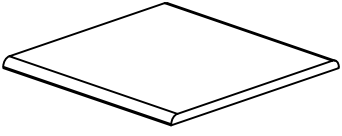
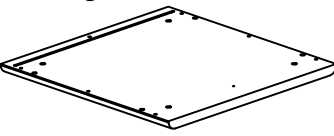
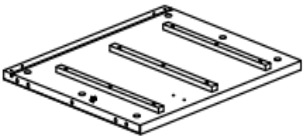

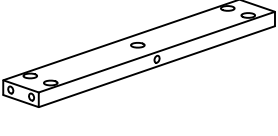
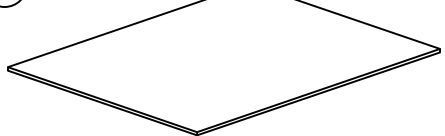

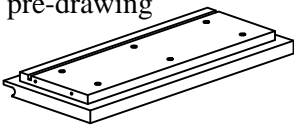
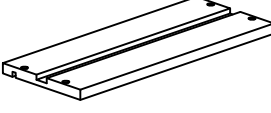

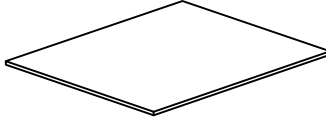
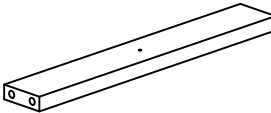
Nightstand with 3 drawers - 40 cm



Installation Diagram

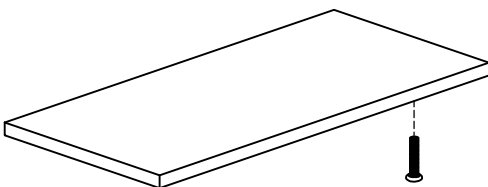


Parts List

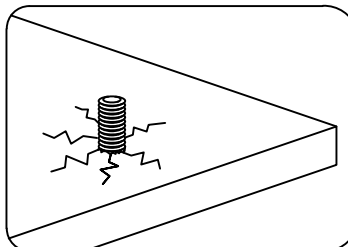
<p>① panel</p>  <p>400*400*17MM 1PC</p>	<p>② bottom plate</p>  <p>400*400*17MM 1PC</p>	<p>③ left side plate</p>  <p>472.5*400*27MM 1PC</p>
<p>④ right side panel</p>  <p>472.5*400*27MM 1PC</p>	<p>⑤ rear upper/rear lower crossbar</p>  <p>366*55*17MM 2PCS</p>	<p>⑥ back panel</p>  <p>482*376*5MM 1PC</p>
<p>⑦ carob tree</p>  <p>150*Ø45MM 4PCS</p>	<p>⑧ combination of drawing and pre-drawing</p>  <p>360*153.5*29MM 3PCS</p>	<p>⑨ side panel</p>  <p>300*120*12MM 6PCS</p>
<p>⑩ back panel</p>  <p>332*120*12MM 3PCS</p>	<p>⑪ draw bottom board</p>  <p>342*286*5MM 3PCS</p>	<p>⑫ drawer bottom bar</p>  <p>366*55*17MM 1PCS</p>

NOTE

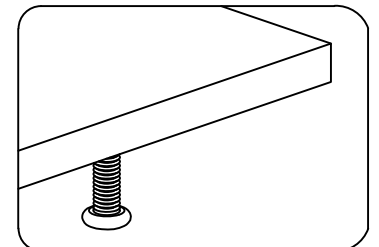
Using the right screws can prevent damage to these components.



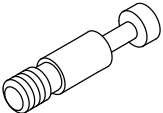


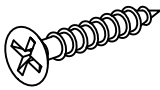
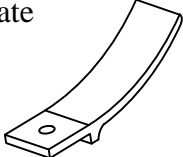
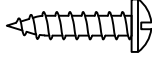

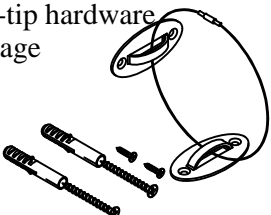
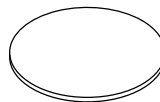
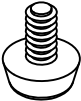
Example



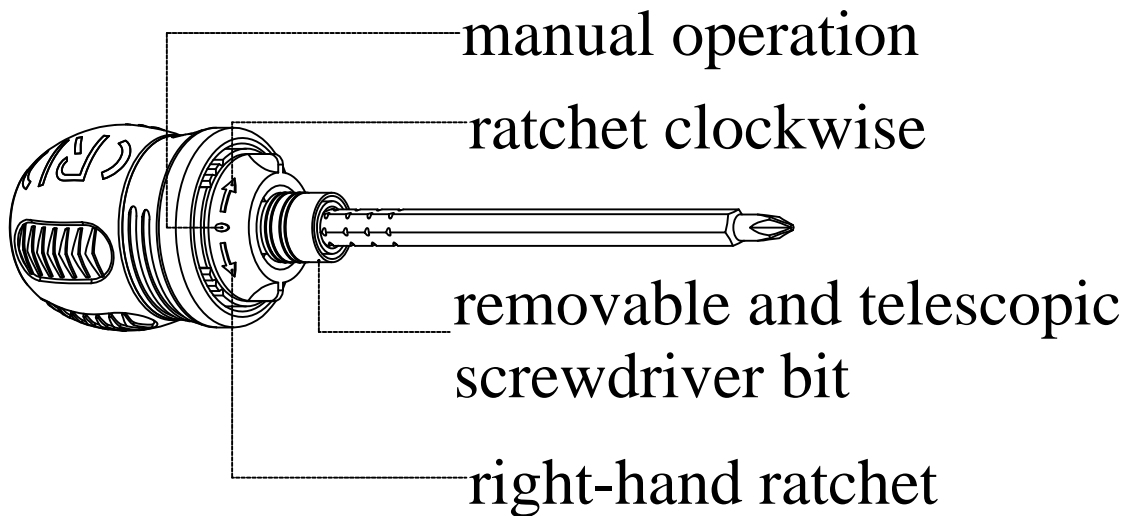
Error: Screws can cause wood to split. Correct: The screws are the correct size.



Hardware Table

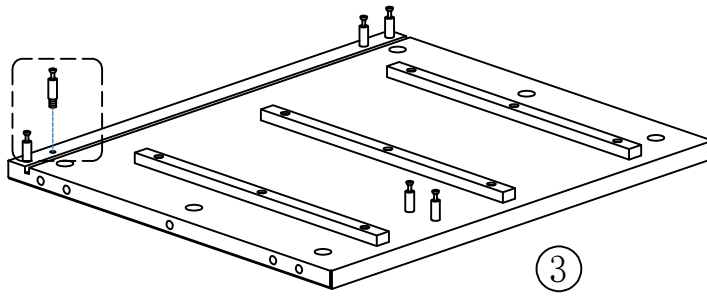
<p>A Two-in-one screw</p>  <p>L=40MM 26+2PCS</p>	<p>B Two-in-one lock handle</p>  <p>Ø15*9MM 26+2PCS</p>	<p>C wooden tenon</p>  <p>Ø8*30MM 8+1PCS</p>
<p>D flat-head fastener</p>  <p>#8*30MM 24+2PCS</p>	<p>E sliding plate</p>  <p>L=50MM 3PCS</p>	<p>F umbrella head wood screw</p>  <p>#3.5*15MM 3PCS</p>
<p>G phillips screwdriver</p>  <p>M6*136MM 1PC</p>	<p>H Anti-tip hardware package</p>  <p>1SET</p>	<p>I huanmei Sticker</p>  <p>Ø20MM 10PCS</p>
<p>J Adjust foot pads (Installed)</p>  <p>M6* Φ 19*teeth20MM 4PCS</p>		

Multi-function Ratchet Screwdriver User Manual

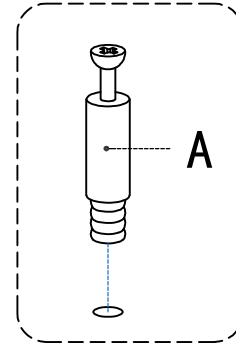


Specification name: Nightstand with 3 drawers - 40 cm

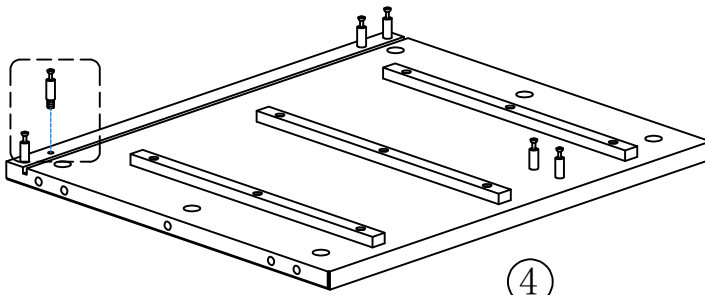
Step 1



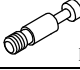

3



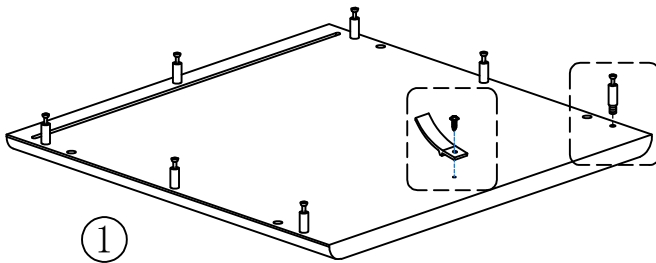
A



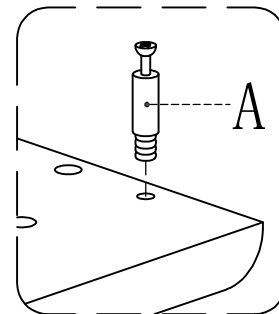
4

A	 L=40MM	12PCS
G	 M6*128MM	1PC

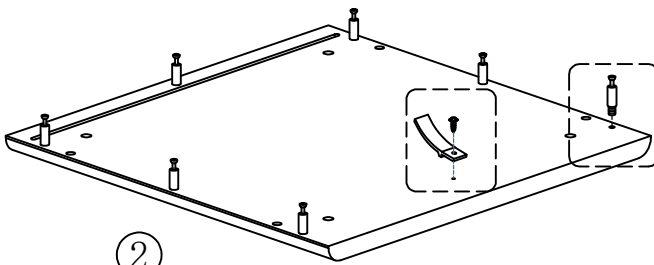
Step 2



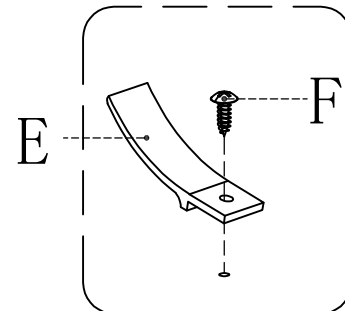
1



A

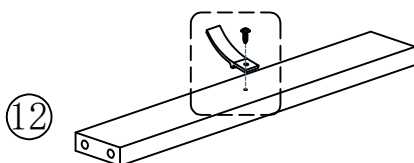


2

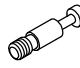


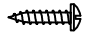


E

F

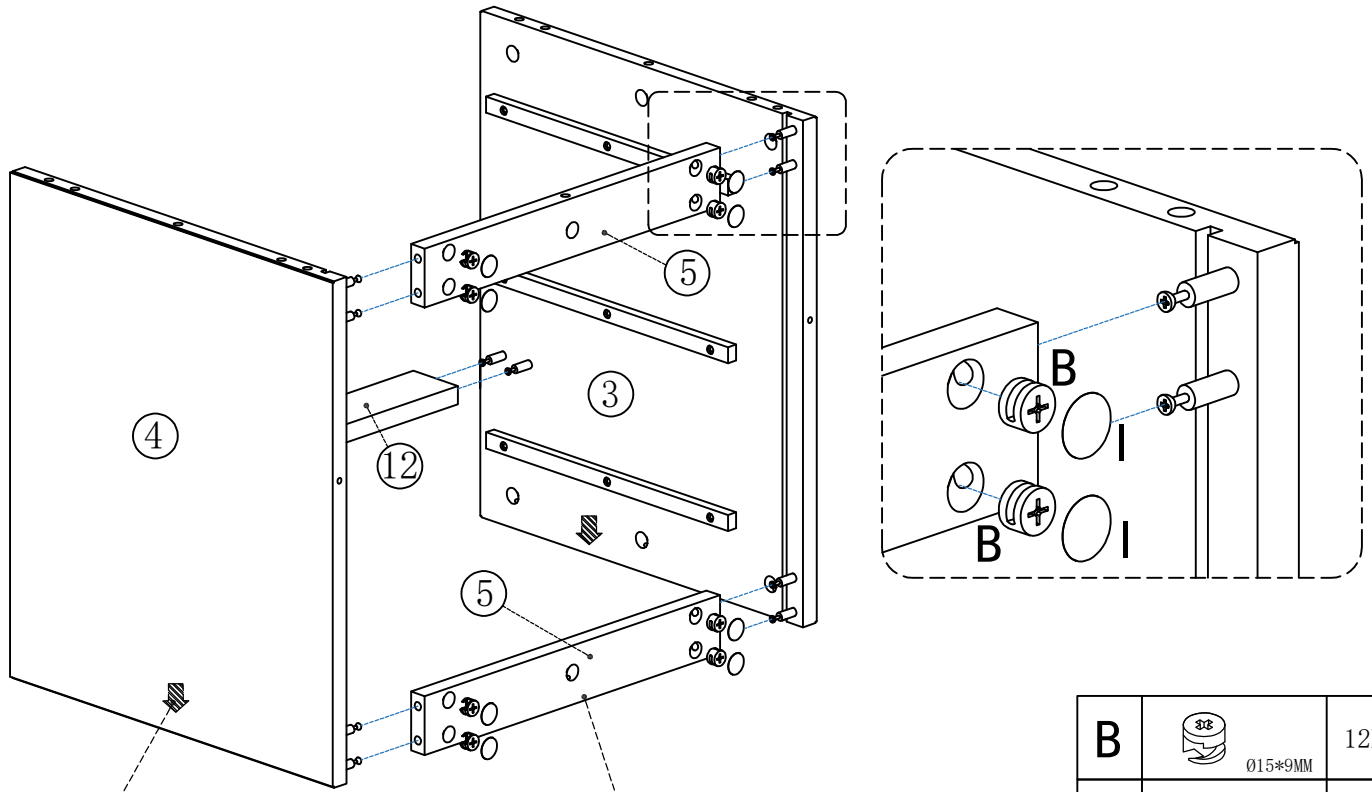


12

A	 L=40MM	14PCS	E	 L=50MM	3PCS
G	 M6*128MM	1PC	F	 #3. 5*15MM	3PCS




Specification name:Nightstand with 3 drawers - 40 cm

Step 3

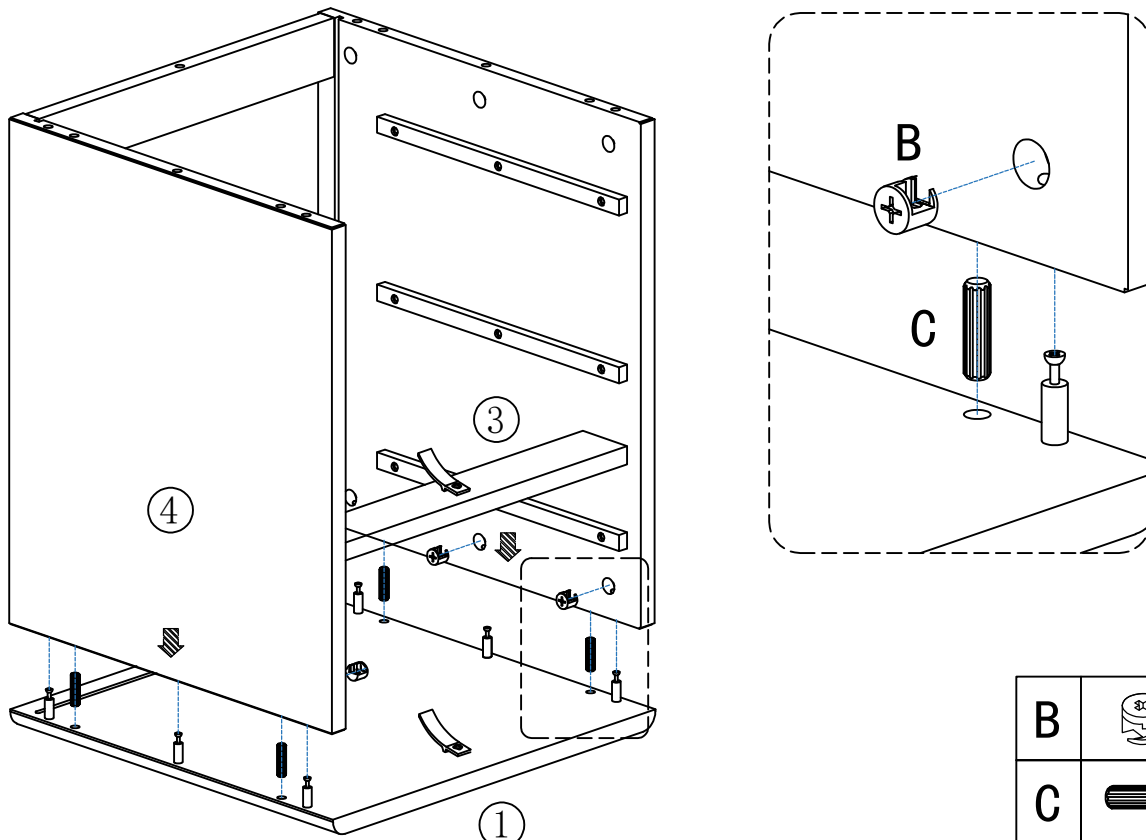





upward arrow

Note the direction of the center hole in part 5.

B	 Ø15*9MM	12PCS
G	 M6*128MM	1PC
I	 Ø20MM	8PCS

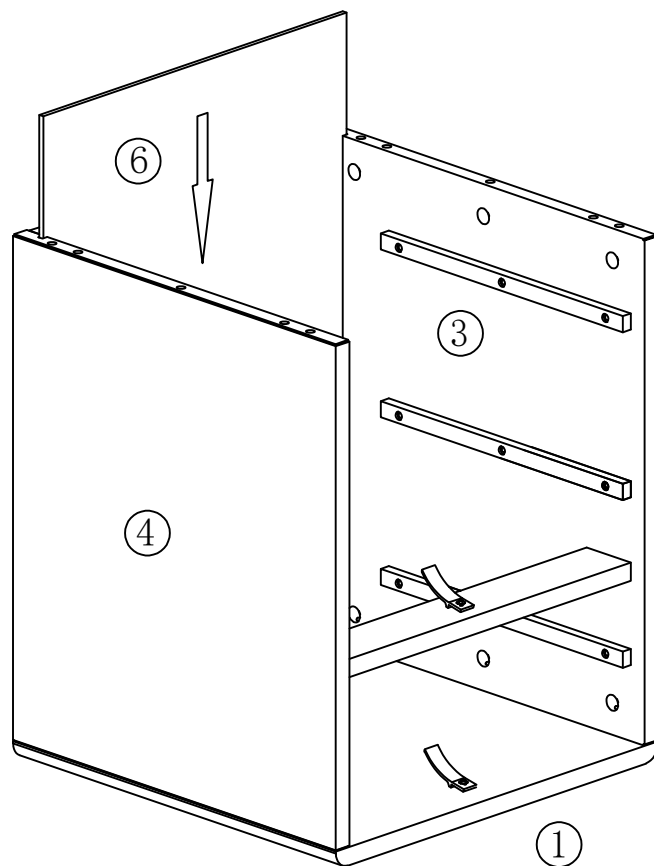
Step 4



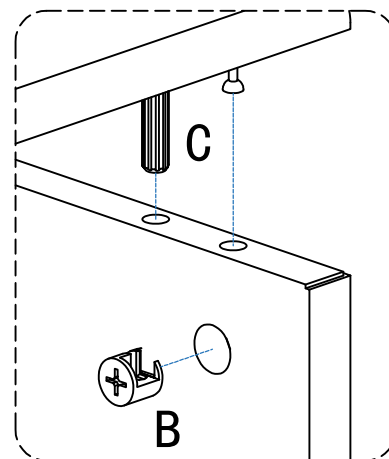
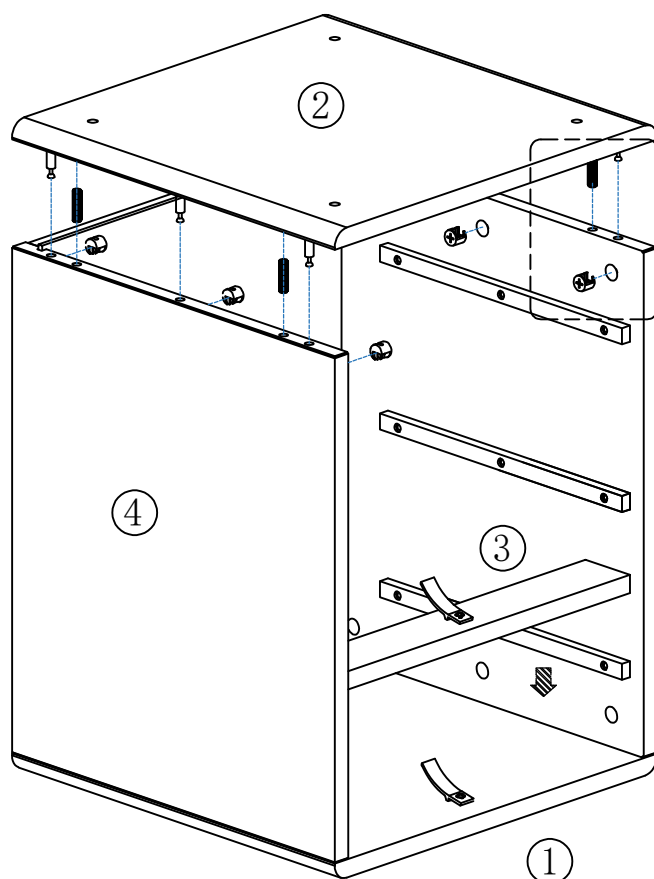
B	 Ø15*9MM	6PCS
C	 Ø8*30MM	4PCS
G	 M6*128MM	1PC




Specification name: Nightstand with 3 drawers - 40 cm

Step 5



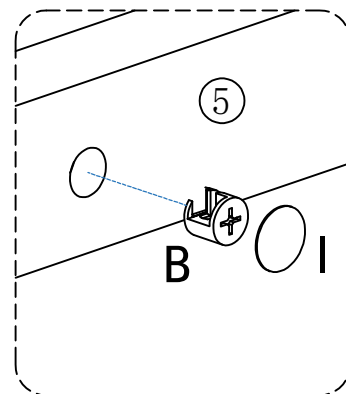
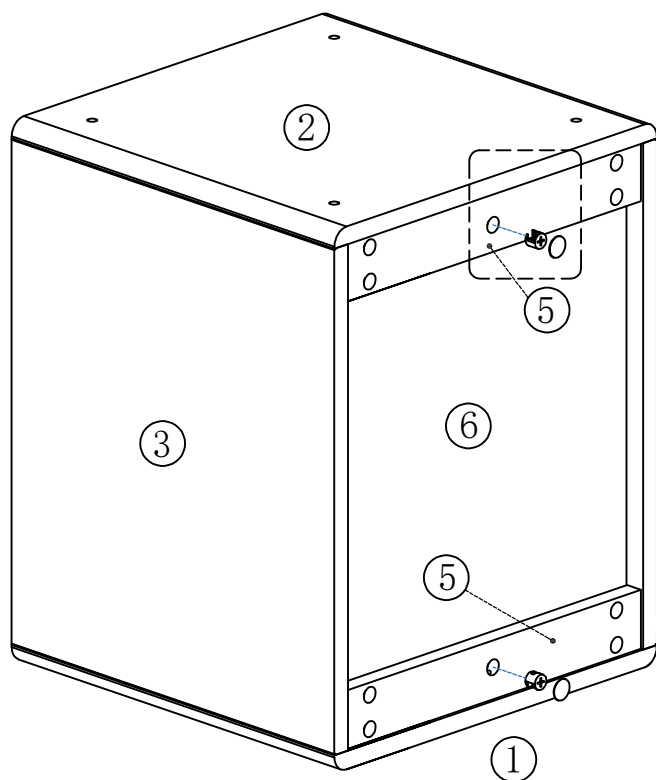
Step 6






B	 Ø15*9MM	6PCS
C	 Ø8*30MM	4PCS
G	 M6*128MM	1PC

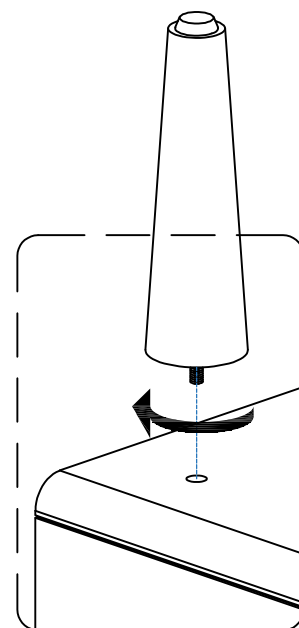
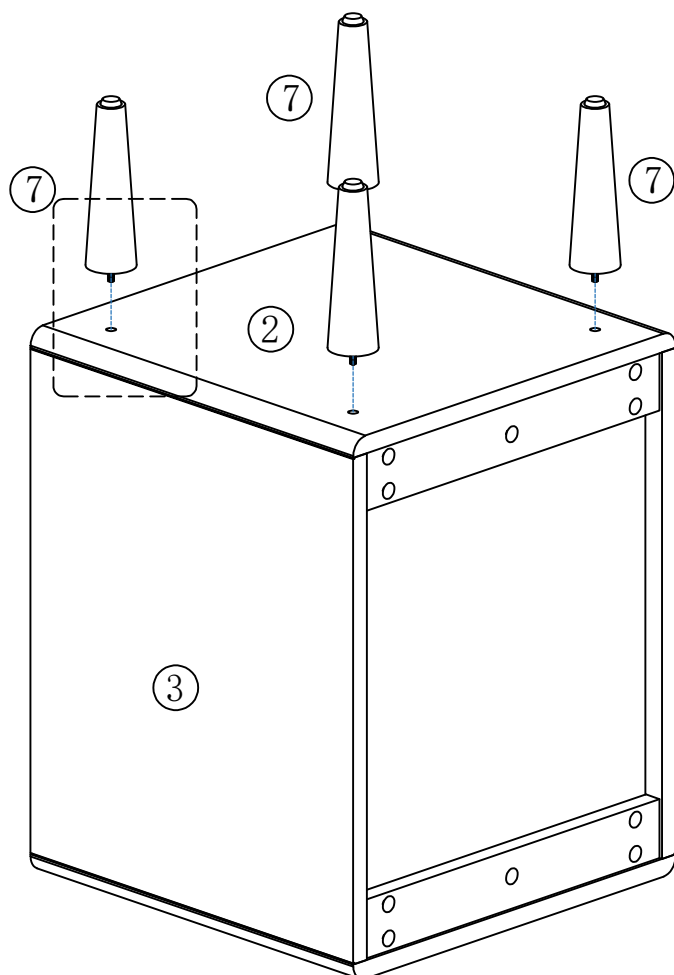
Specification name:Nightstand with 3 drawers - 40 cm

Step 7



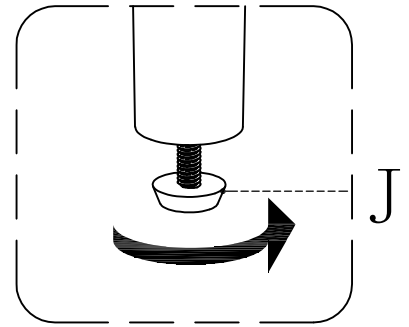
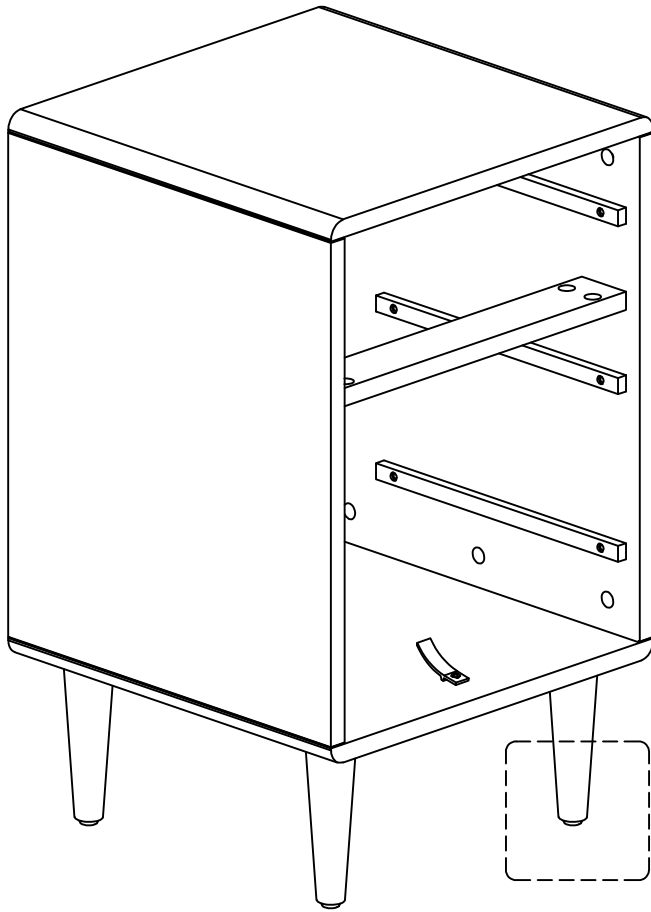
B	 Ø15*9MM	2PCS
G	 M6*128MM	1PC
I	 Ø20MM	2PCS

Step 8



Specification name:Nightstand with 3 drawers - 40 cm

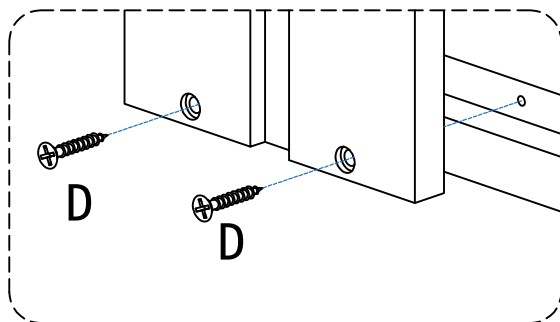
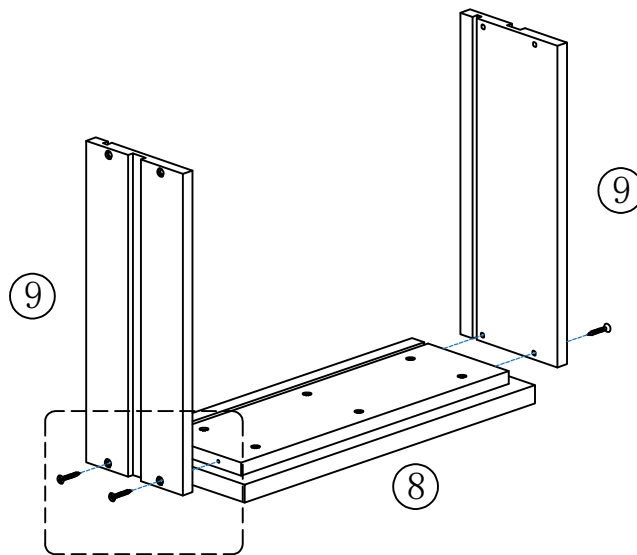
Step 9





As shown in the figure, rotate the corresponding hardware J to adjust the bedside cabinet to a level position.

Step 10

X 3

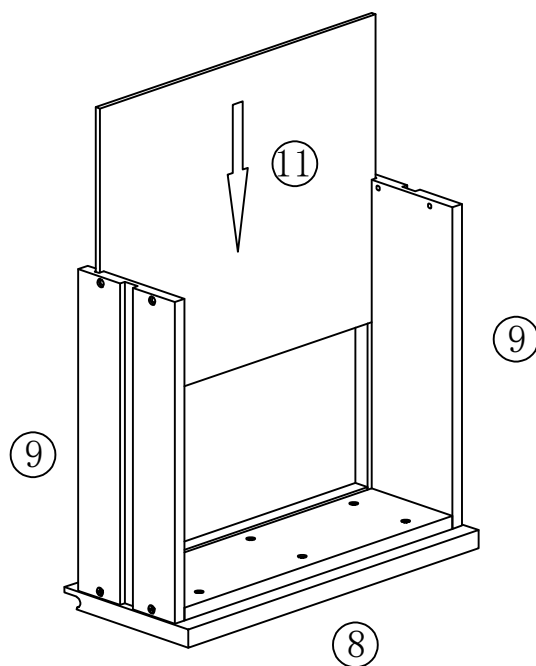


D	 #8*25MM	12PCS
G	 M6*128MM	1PC

Specification name:Nightstand with 3 drawers - 40 cm

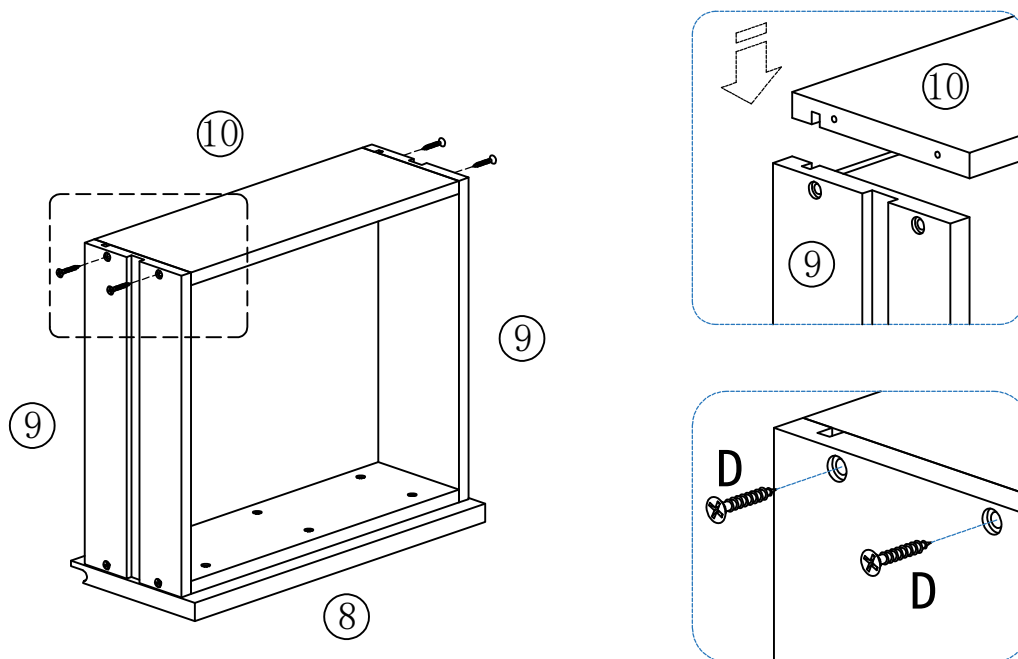
Step 11



X 3



Step 12

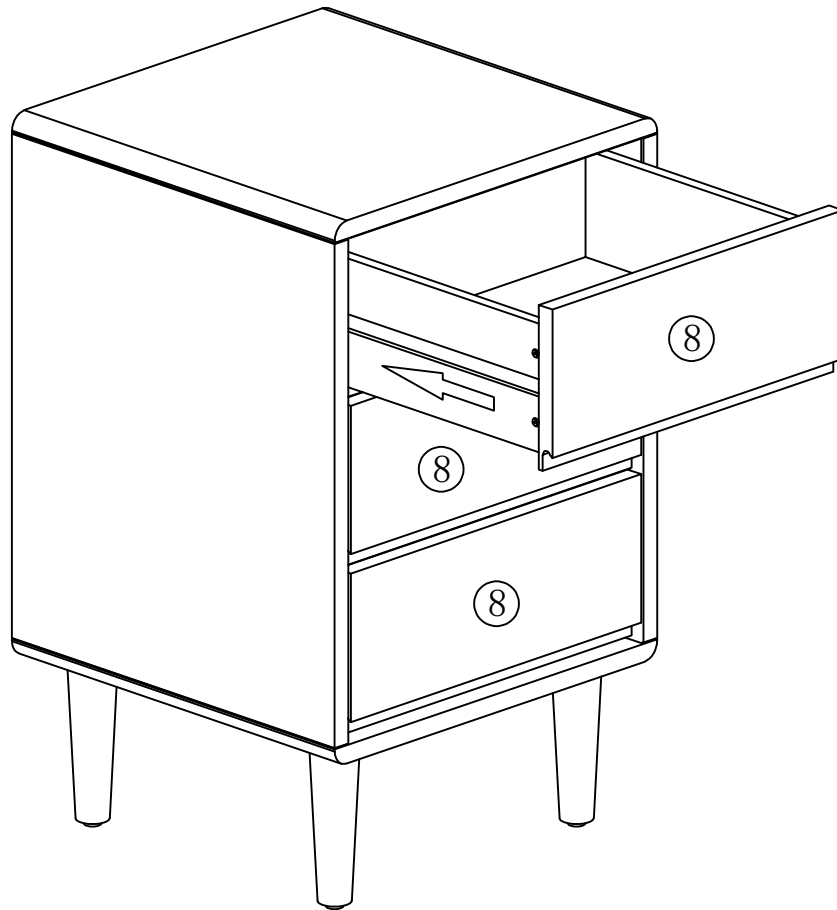
X 3



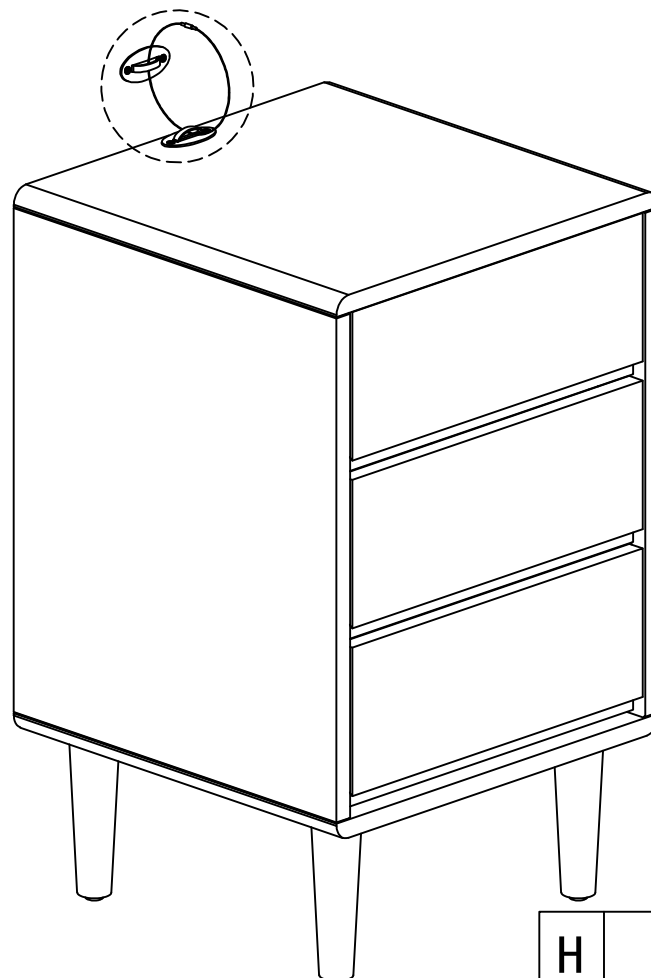
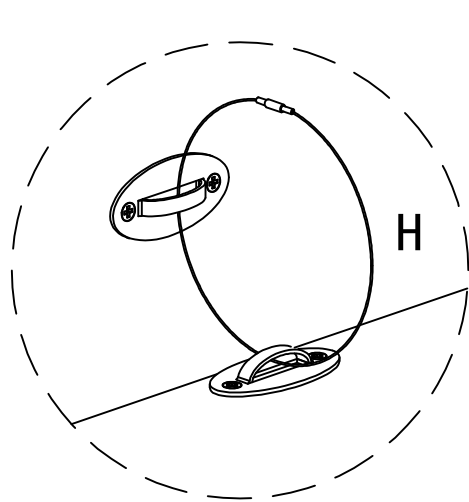
D	 #8*25MM	12PCS
G	 M6*128MM	1PC

Specification name: Nightstand with 3 drawers - 40 cm

Step 13



Step 14



H		1SET
---	---	------