

2 Tier Industrial Metal Shelf

Assembly Instructions



Save these instructions.



A buddy is helpful for assembly.



20 minutes



Phillips Screwdriver needed. Not included



Allen Wrench Provided

Thank You for your Purchase

- This user manual contains important and useful information to accompany your purchase. This product is intended for indoor, household use only. Failure to follow the instructions outlined may result in personal injury or damage to the product which the manufacturer or vendor cannot be held responsible.
- Please ensure you keep the instruction manual in a safe place so you can refer to the instructions at any time in the future. Adult assembly required. During assembly, children should always be kept away due to possible risk of injury. Please use caution and care when lifting the product to avoid personal injury and/or damage. Please ensure that you have enough space and people to assemble your product safely. Do not stand on the product or use as a stepladder.
- For ease and speed of assembly, we recommend that you identify all parts required for that step before begin. All items are to be assembled near the area which they will be placed in use to avoid moving the product unnecessary once assembled.
- For the protection of your furniture, we recommend that the product be assembled on a protected surface to prevent any damage. During assembly please take care not to over-tighten any fittings, as this may damage the product. Always place the product on a flat and stable surface.

Safety Precautions






- **READ ALL INSTRUCTIONS BEFORE ASSEMBLING**
- **PRODUCT FOR INDOOR, RESIDENTIAL USE ONLY**
- **ADULT ASSEMBLY REQUIRED**
- **DO NOT** throw away packaging material before you finish assembling to ensure that parts are not thrown out by mistake
- **DO NOT** use accessories or attachments that are not provided or recommended by manufacturer.
- **NEVER** force any parts or hardware into place when assembling.
- **KEEP CHILDREN** well away from plastic bags and packing materials this item was shipped in.
- **SAVE** these instructions for future reference.
- **DO** anchor product on the wall with at least 1 anchor in contact with stud
- **Do not** place items, such as toys and remote controls on top of dressers, TVs and other large furniture. Also, make sure that all cords are out of the reach of children.


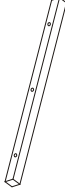


Save these
instructions.

Parts

Removing your shelf from the carton is best accomplished with help from a friend. Gently lay the carton on its side, preferably on a carpeted floor. Remove all packaging material and set aside. Make sure all parts and hardware are present before assembly. 2 person assembly is recommended.

PART	NAME	Q'TY	PART IMAGE
A	Side Frame	2	
B	Top Shelf	1	
C	Bottom Shelf	2	

PART	NAME	Q'TY	PART IMAGE
D	Shelf Supports Within Locking Plate	4	
E	Shelf Supports	2	

Hardware

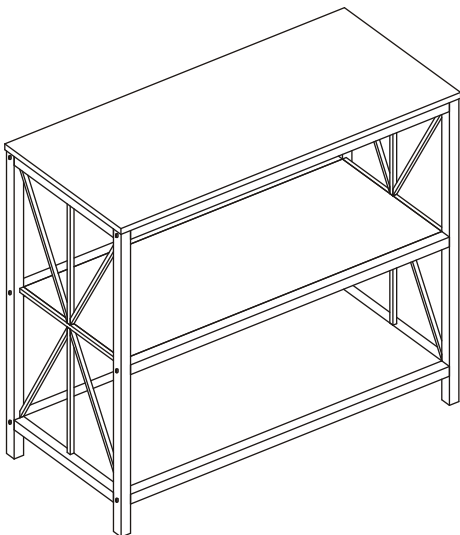
PACKAGE	NAME	Q'TY	IMAGE
1	Allen Screws	12	
2	Allen Screws	6	
3	Allen Screws	12	
4	Self- tapping screws	2	
5	Wall Anchors	2	
6	Anti-tip zip ties	2	
7	Allen Wrench	1	



Phillips Screwdriver
needed. Not Included

We have included 2 extra pieces of each type of screws

Specifications



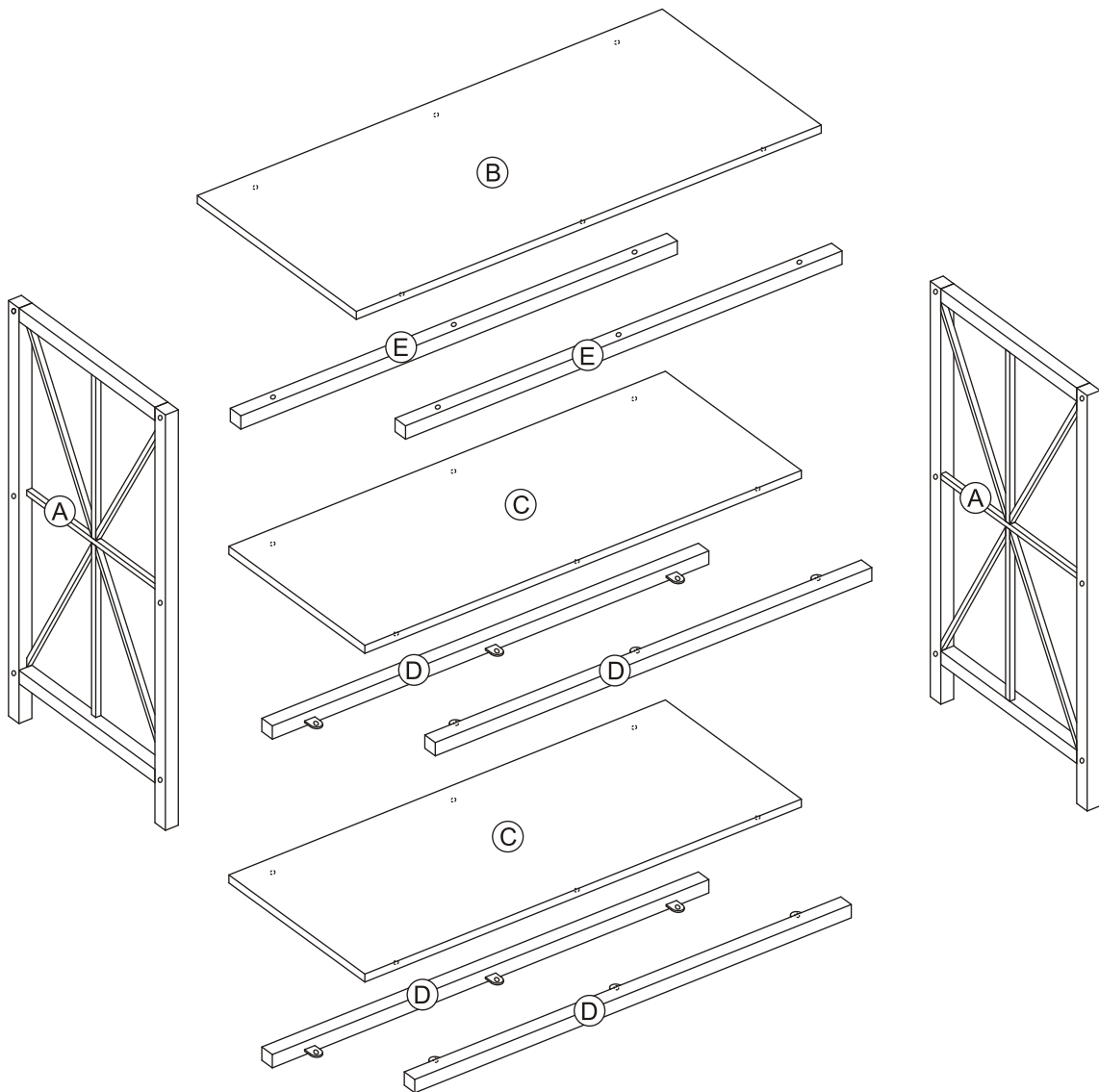
You shelf must be anchored to the wall
Maximum load capacity for each shelf is the same as follows:

PART	NAME	Maximum Weight Capacity
B	Top Shelf	11 lbs
C	Two Bottom Shelf	11 lbs

Parts



Your Shelf must be anchored to the wall



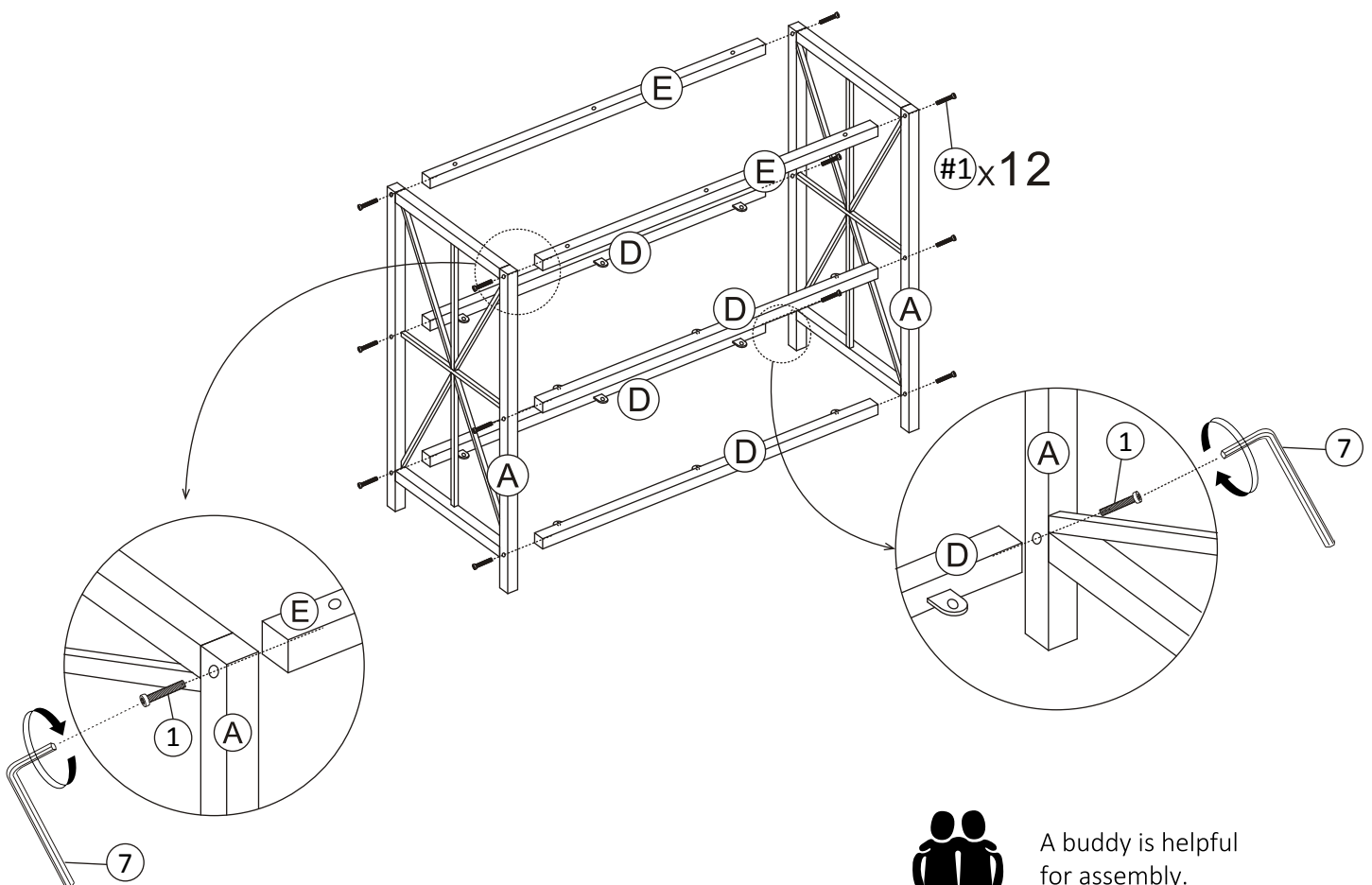
Assembly Instructions

ASSEMBLY TIPS:

1. Remove hardware from box and make sure all your parts are there, prior to assembly.
2. To avoid damage to parts and components, layout and assembly should be done on a flat surface.
3. Please check and distinguish each part before assembly.
4. This product is intended for home use only and not intended for commercial establishments.
5. **DO NOT** attempt to repair or modify parts that are broken or defective. Please contact customer service immediately by visiting: www.teamcustomerservice.com

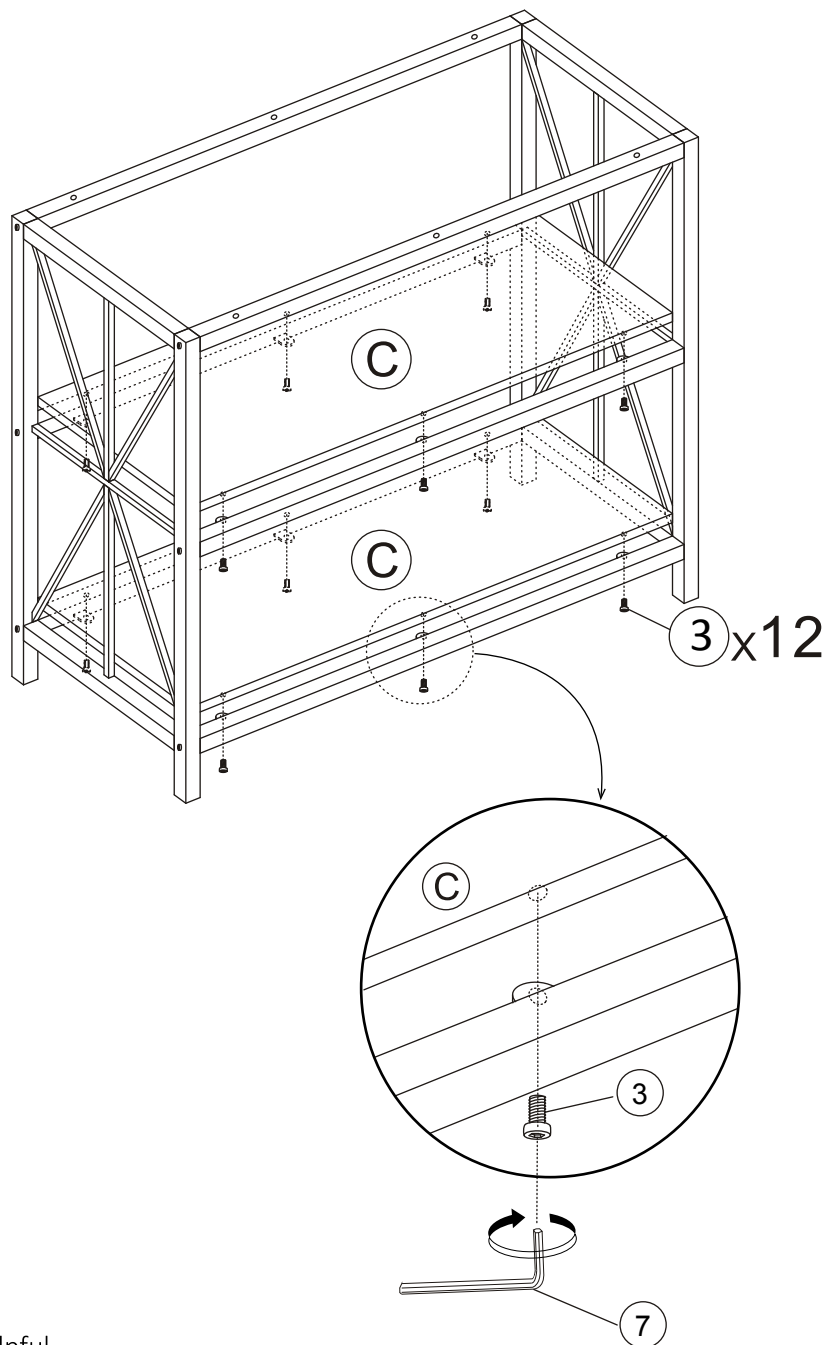
Step 1

- Stand the two Side Frame (A) upright.
- Assemble four Shelf Supports with locking plate (D) on the second and bottom layer of two Side Frame(A) using eight Allen screws(1). Use provided Allen Wrench(7) to tighten.
- Assemble four Shelf Supports (E) on the top layer of two Side Frame(A) using eight Allen screws(1). Use provided Allen Wrench(7) to tighten.



Step 2

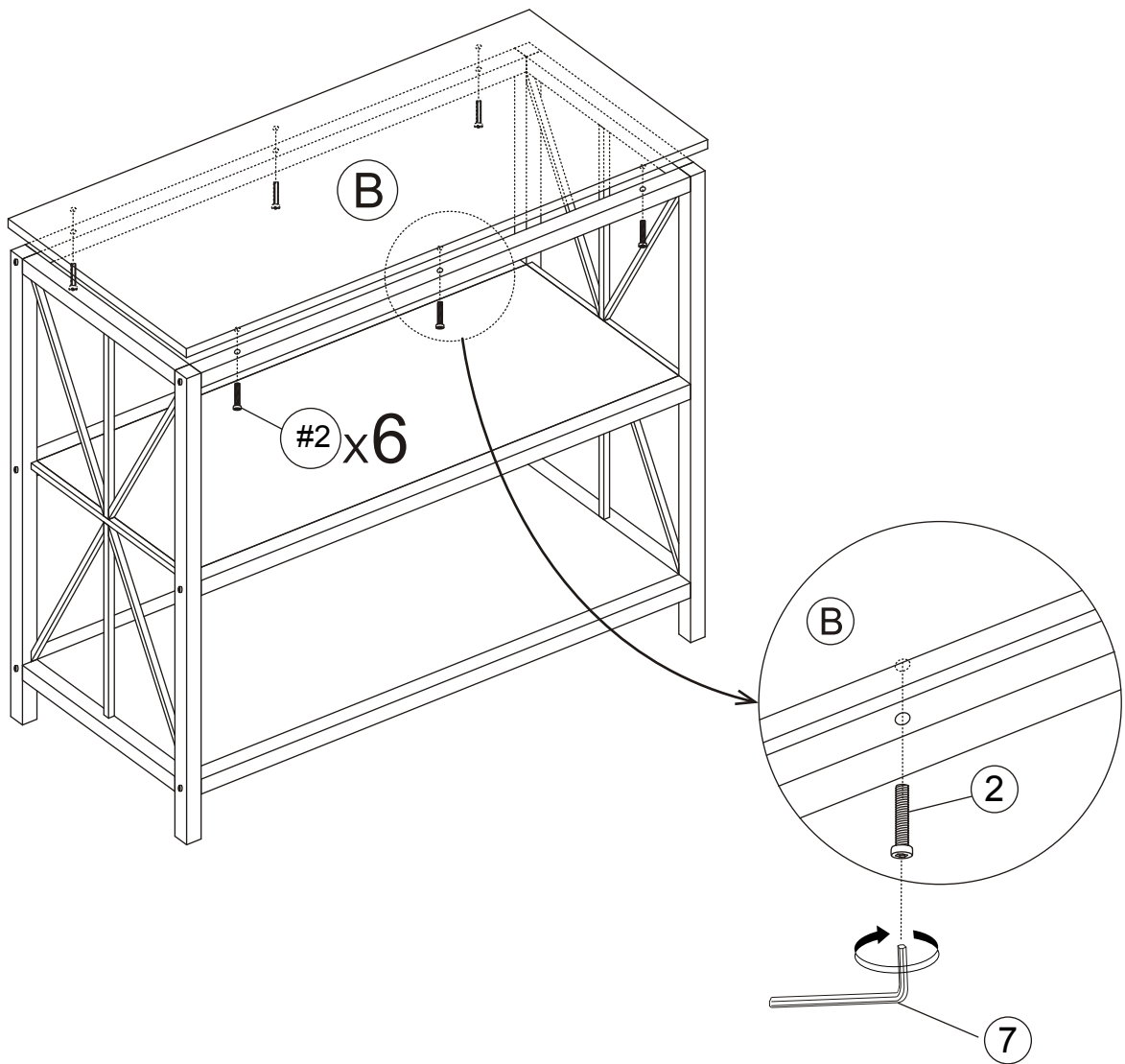
- Ensuring Bottom Shelf(C) is rather smaller than Top Shelf.
Assemble two Bottom Shelf (C) on the four Shelf Supports with locking plate using twelve Allen Screws(3).
Use provided Allen Wrench (7) to tighten.



A buddy is helpful
for assembly.

Step 3

- Ensuring Top Shelf (B) is the largest.
Assemble the Top Shelf (B) on the two Shelf Supports using six Allen Screws(2). Use provided Allen Wrench (7) to tighten.



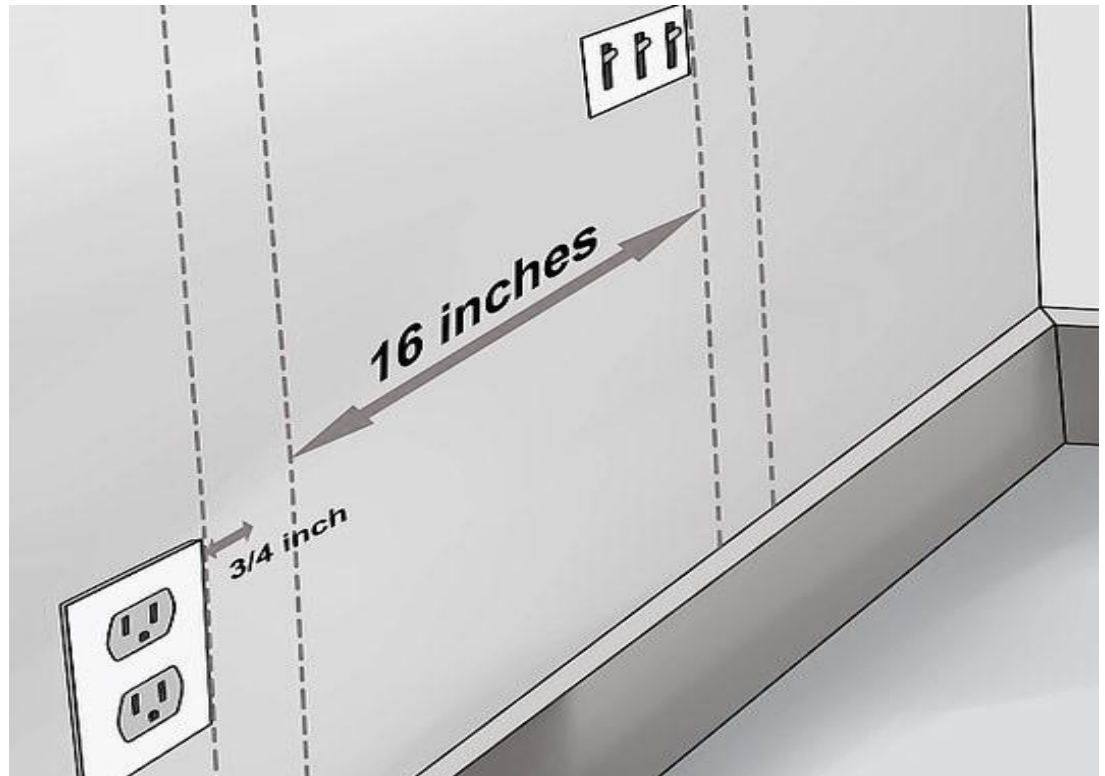
A buddy is helpful
for assembly.



Anchor Instructions

- Locate solid wood studs to mount the anchor to. It is important that the screws are firmly embedded into the wood stud. In cases of thick drywall or wall plaster, you may have to purchase longer screws.

Screwing only into the drywall is not enough and could result in personal or property injury, damage or harm

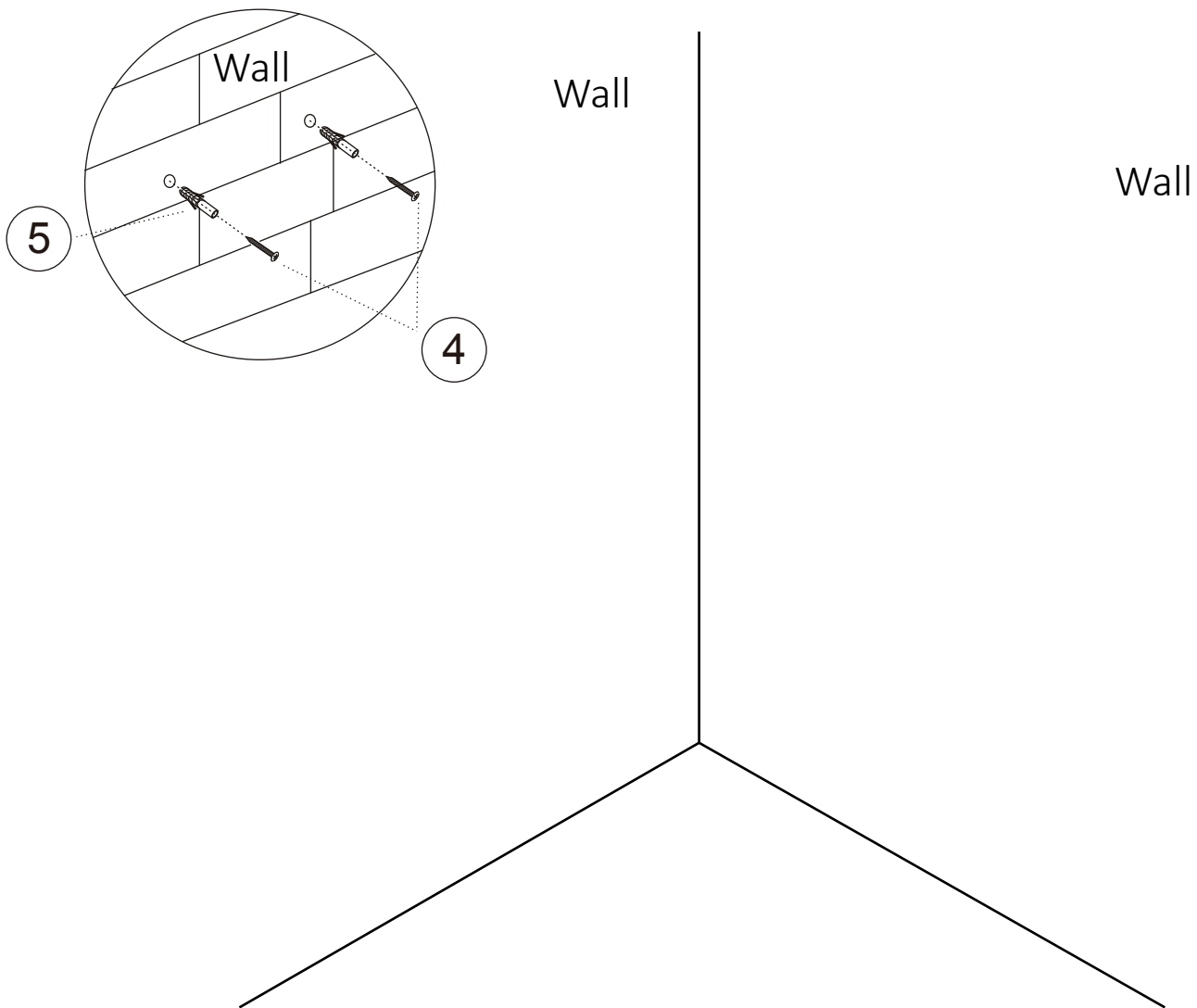


Step 4

- Find a location for your Shelf. Inspect the wall to find stud location. If stud cannot be found, use included Wall Anchors (5)
- Mark your desired height and spacing (reference step 5) and mark anti tip zip ties hole location.
- Attached anti tip zip ties (6) to the wall using Self-tapping screws (4). Tighten with Phillips Screwdriver.



Phillips Screwdriver needed.

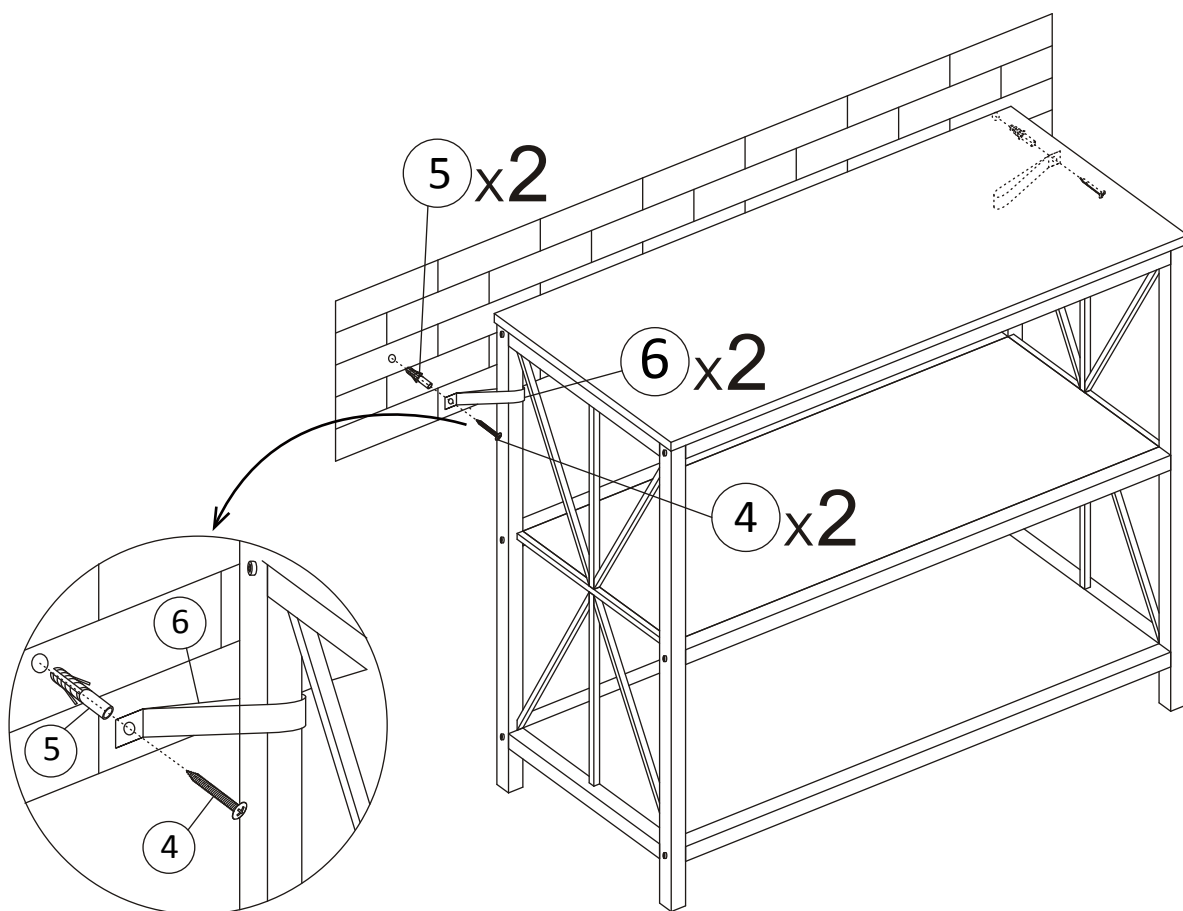


Step 5

- Carefully move your Shelf to the desired location
- Use provided Zip Ties (6) to secure the Shelf Leg to the Wall Anchor Brace (5)



Phillips Screwdriver
needed. Not Included



Care & Maintenance

- Please change all Care & Maintenance to include the following:
- Regularly check all fastenings to ensure that they are properly tightened.
- Clean with a damp soft cloth, then use a soft lint free cloth to dry.
- Hot or wet items should not be placed directly on the furniture surface.
- Do not clean furniture with harsh cleaners or polish.
- Do not place furniture in direct sunlight or near heating/cooling vents.
- To protect the surface, use a pad when writing on top of the furniture.
- For indoor residential use, do not place furniture outside.
- Do not stand on the product or use as a step ladder
- Children should not climb on furniture.



Save these
instructions.