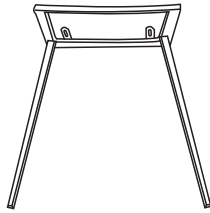
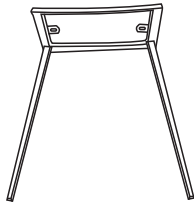


# ASSEMBLY INSTRUCTION

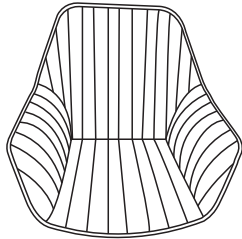
Ax1



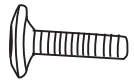
Bx1



Cx1



Dx6



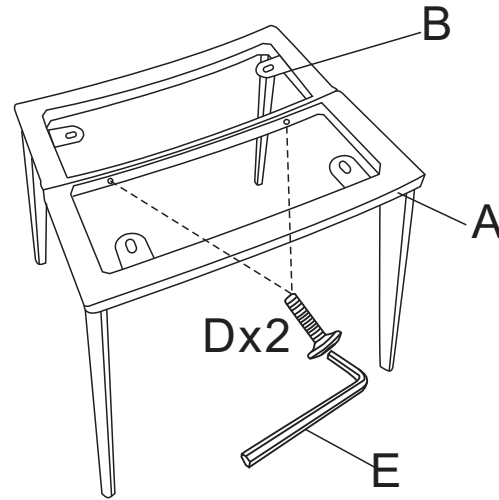
M6X18

Ex1

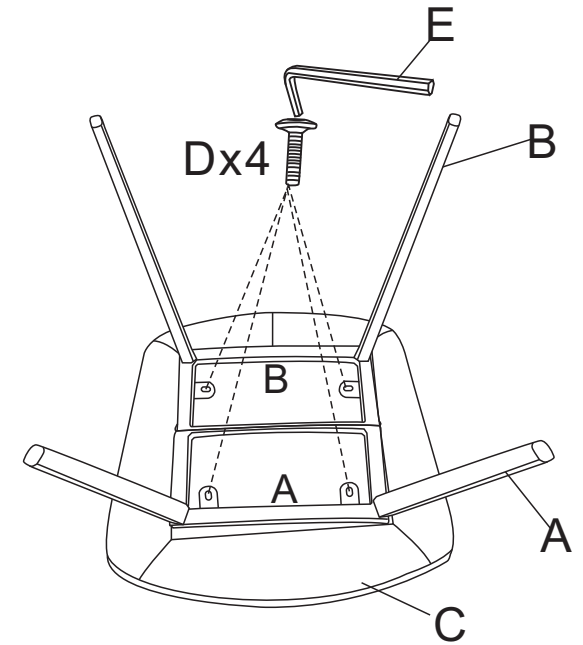


M6

①



②



③

