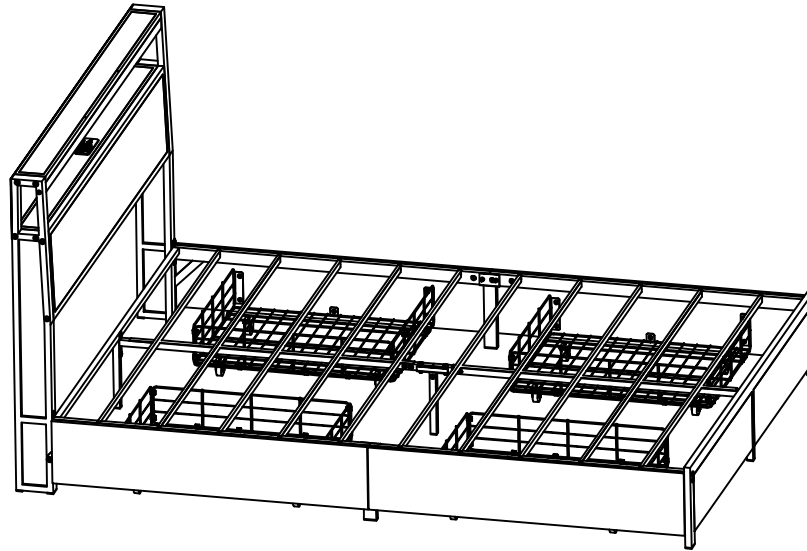
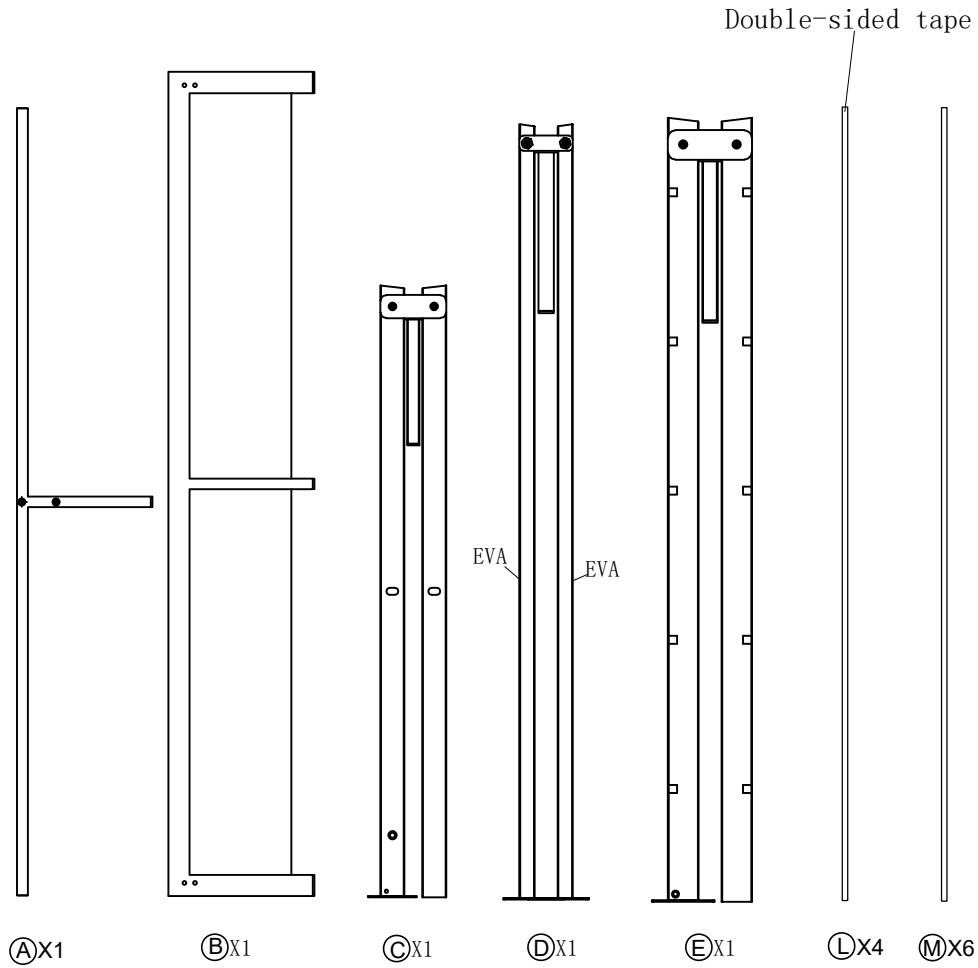


Bed Frame

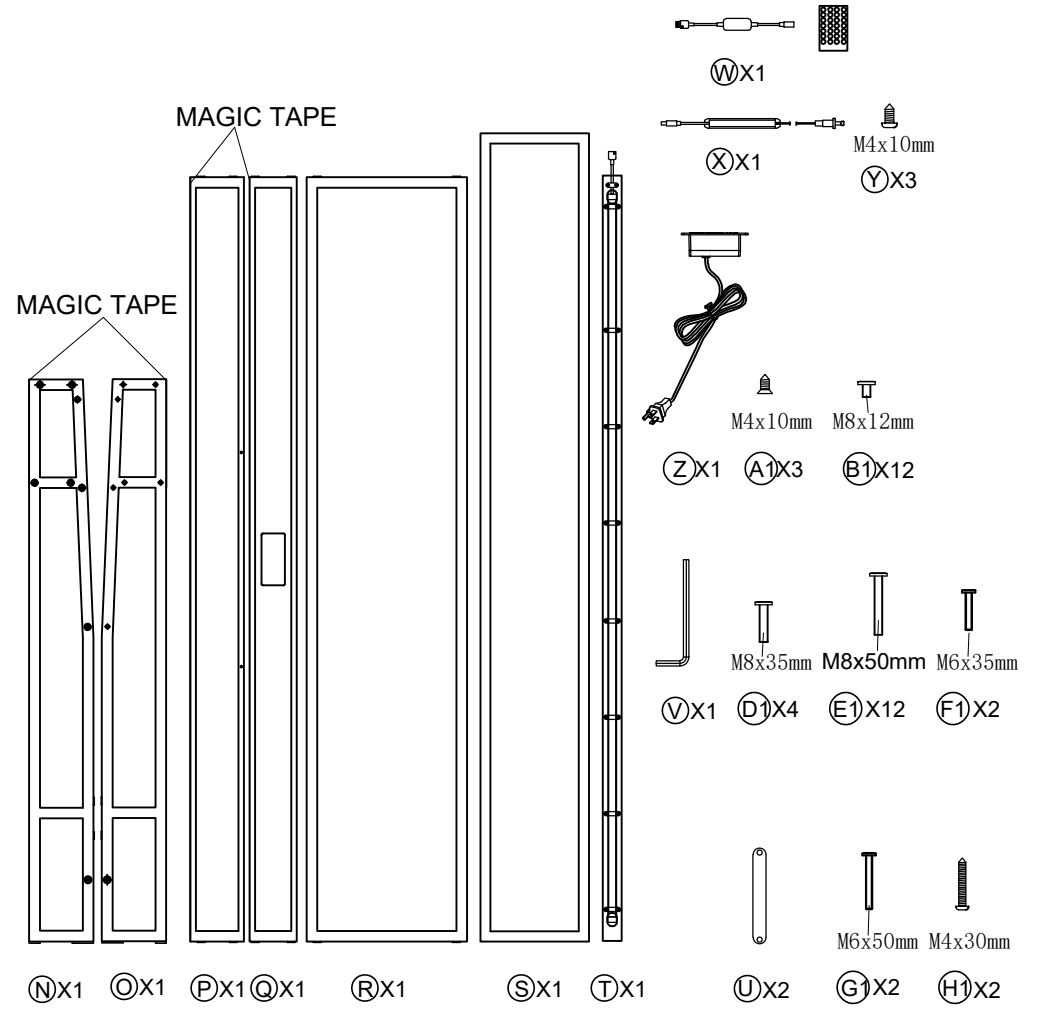


PRODUCT GUIDE AND INSTALLATION MANUAL

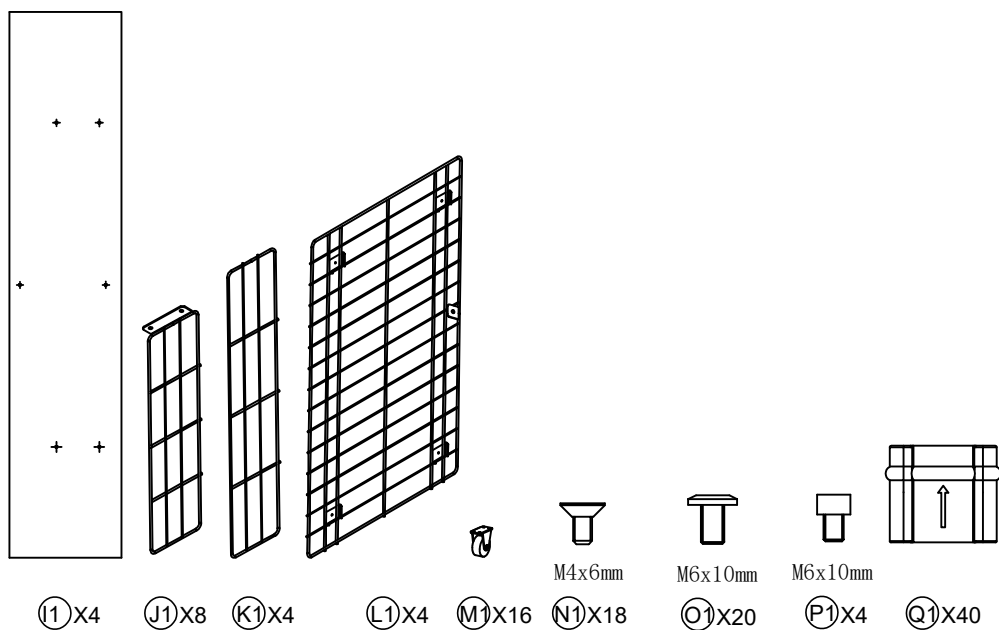
Parts List:



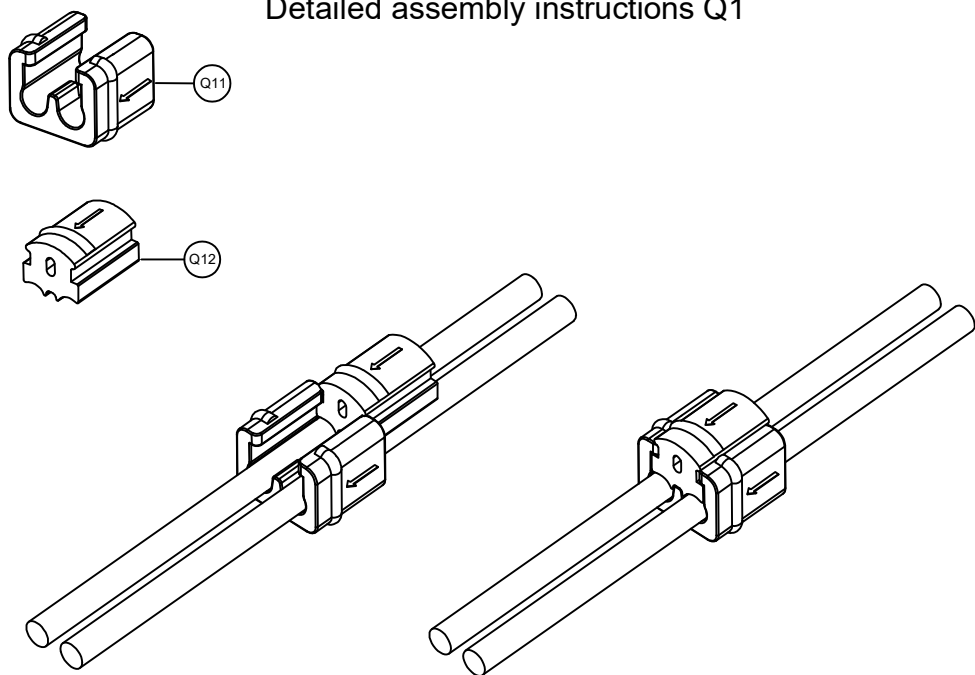
Parts List:



Parts List:

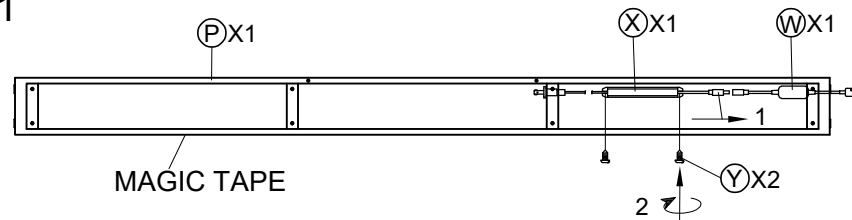


Detailed assembly instructions Q1

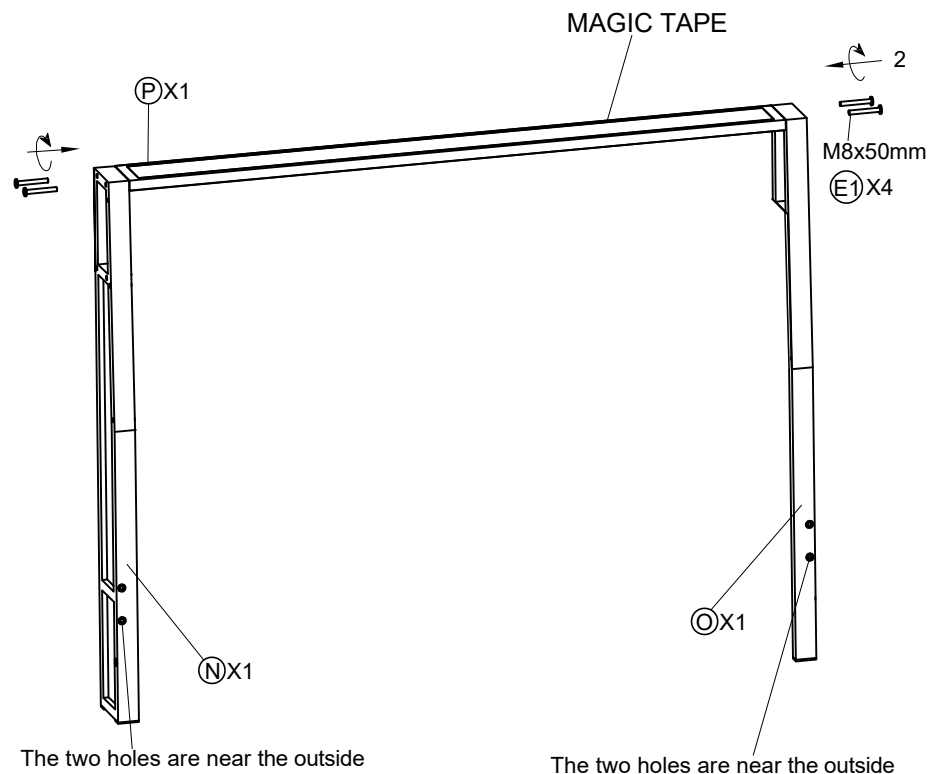


STEP 1

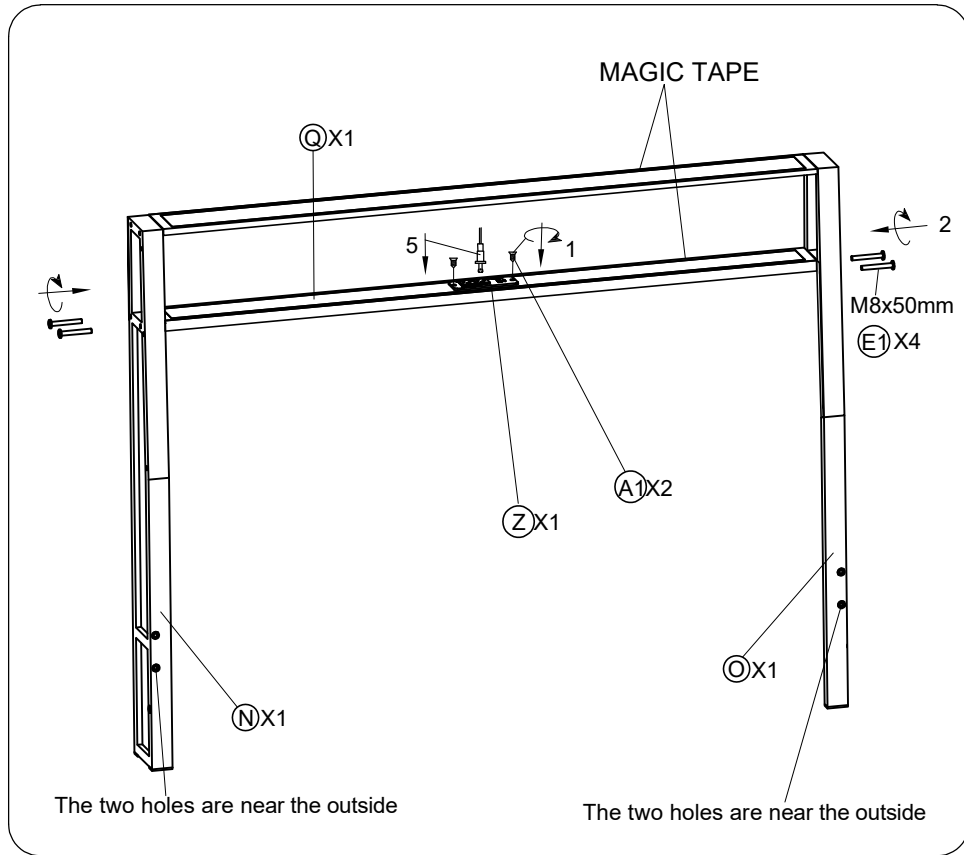
1.1



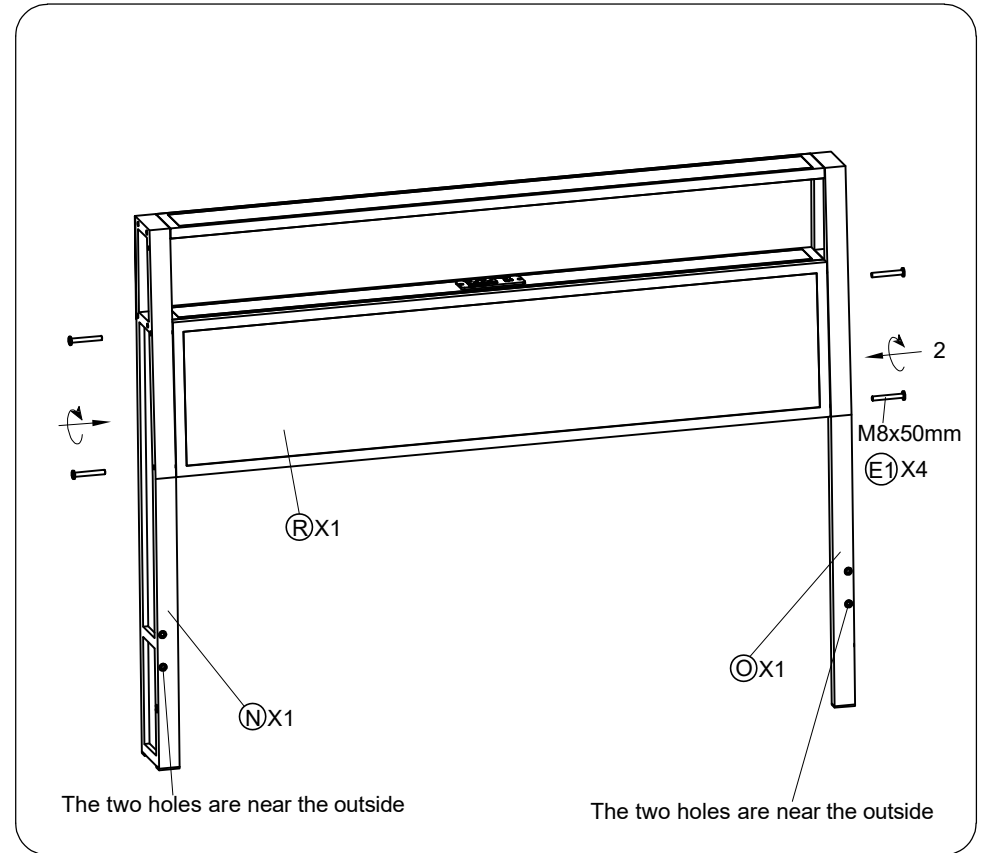
1.2



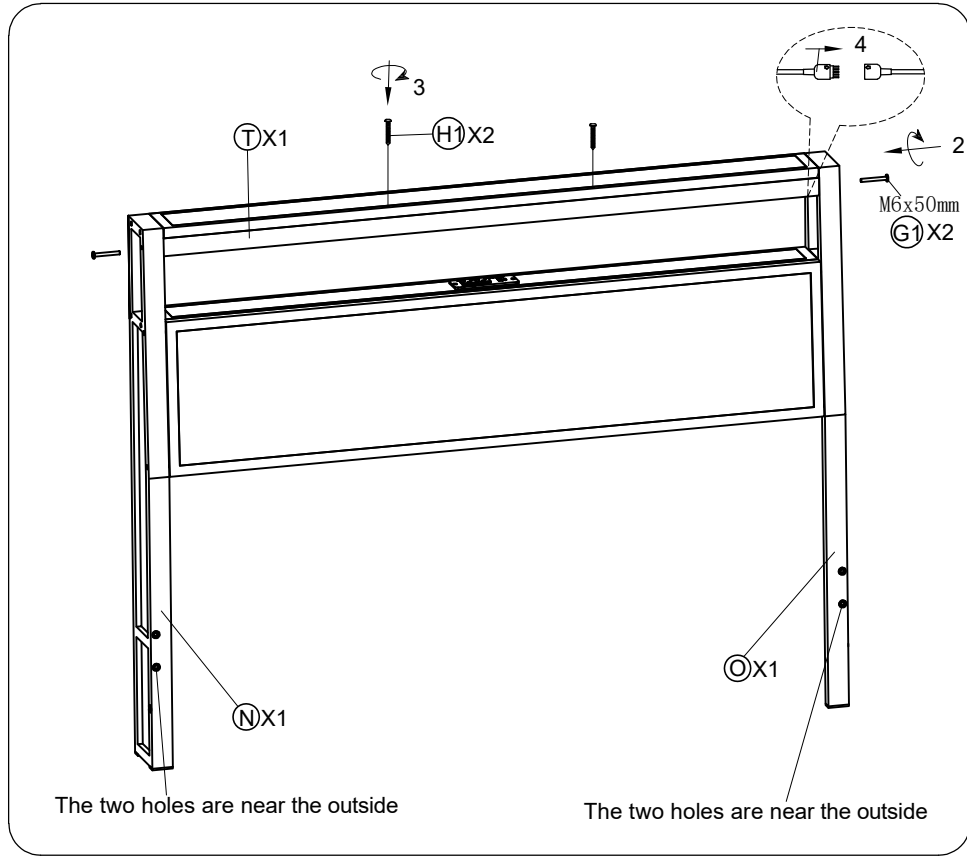
STEP 2



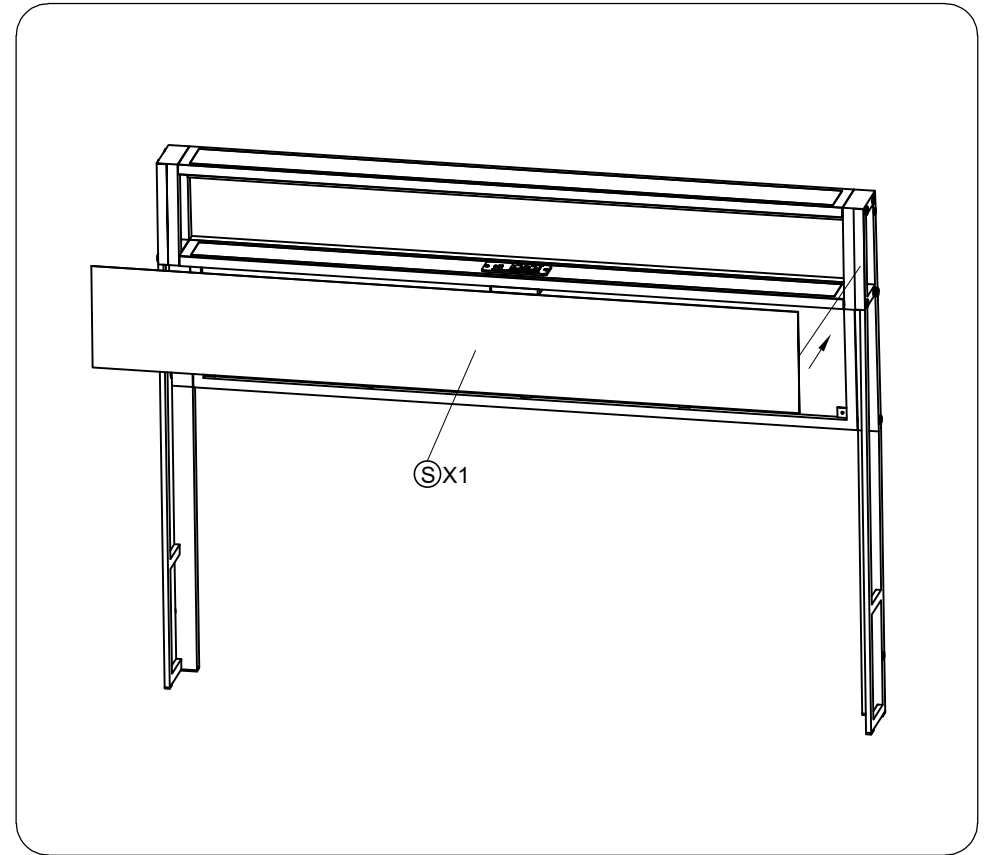
STEP 3



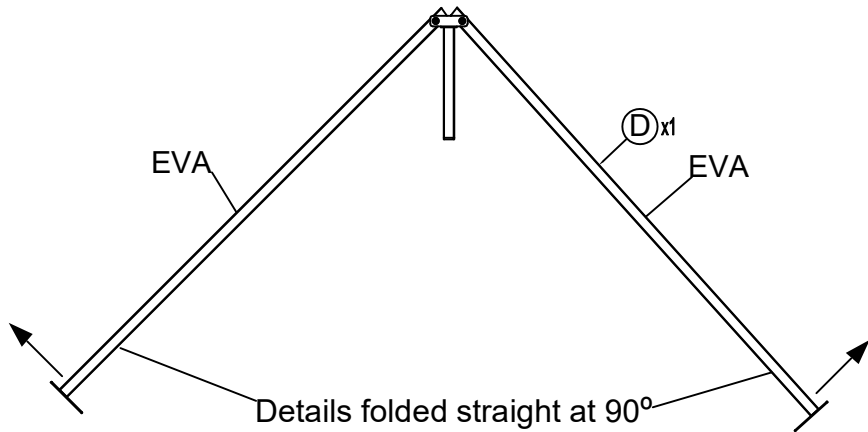
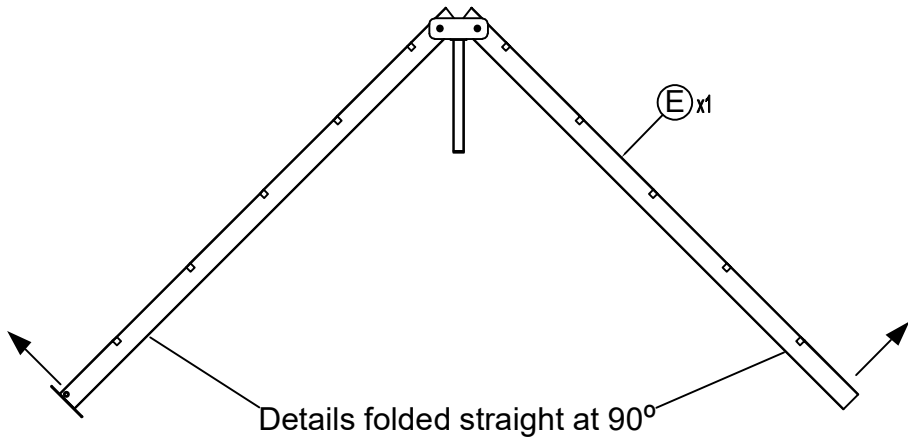
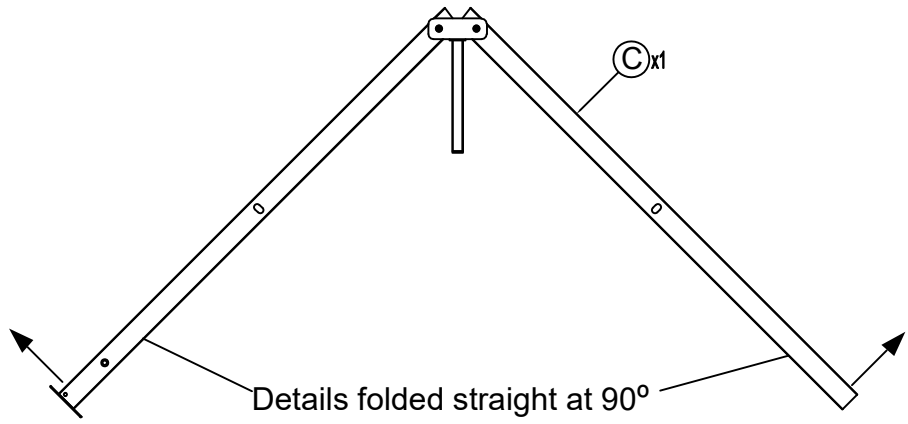
STEP 4



STEP 5

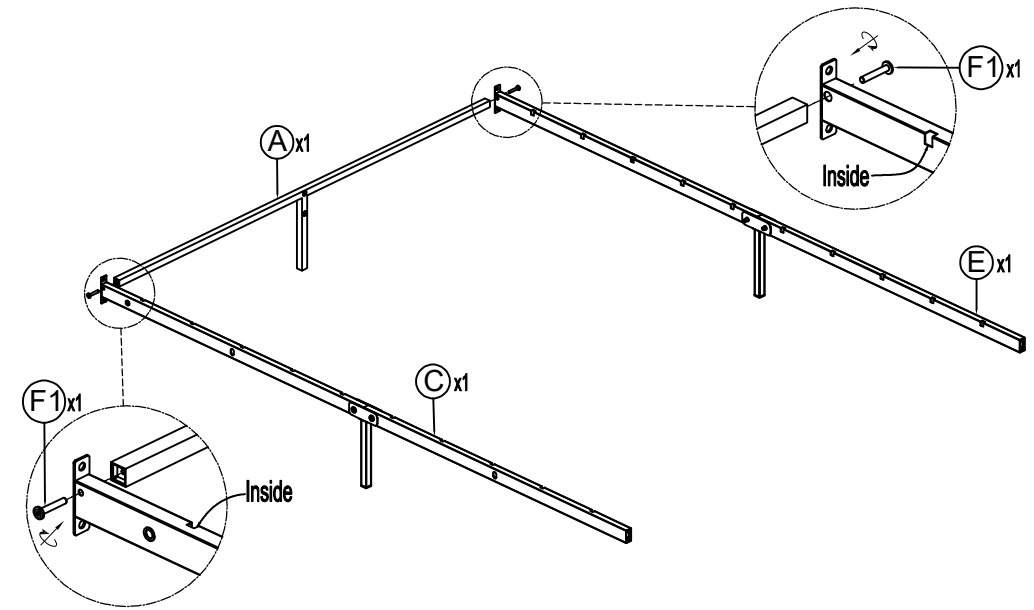


STEP 6

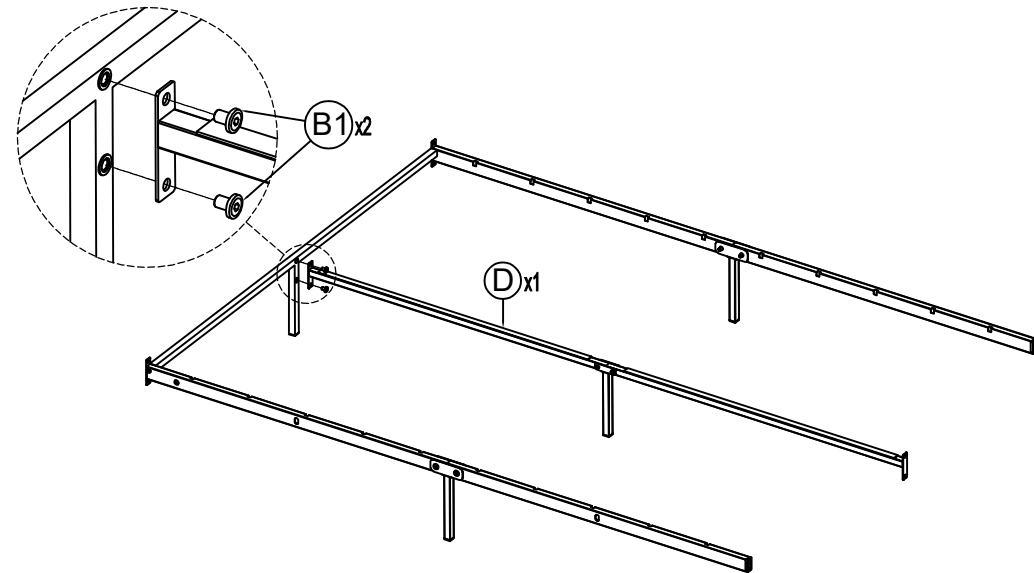


STEP 7

7.1

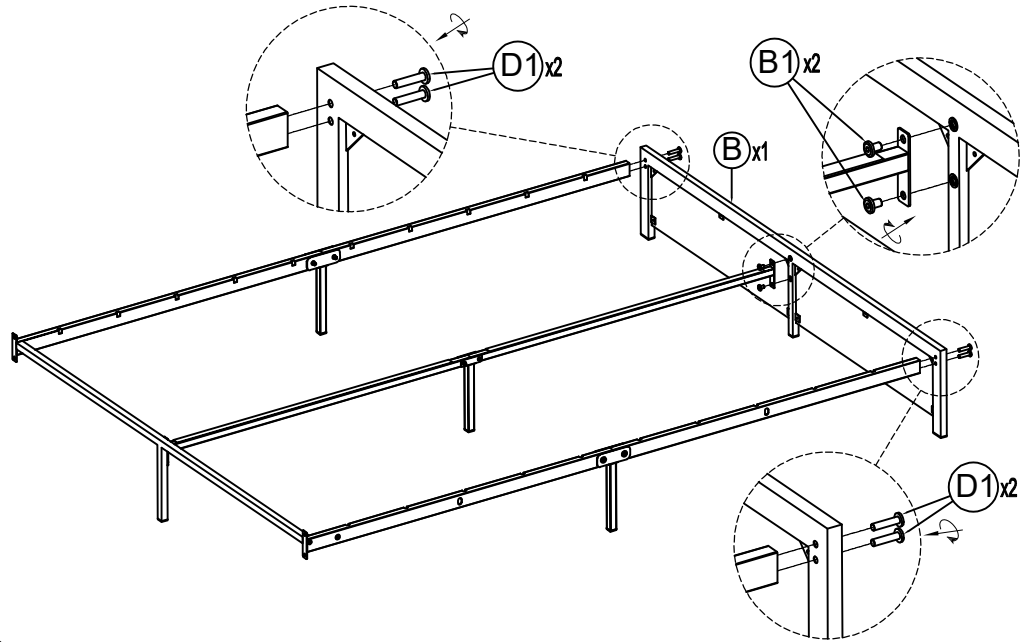


7.2

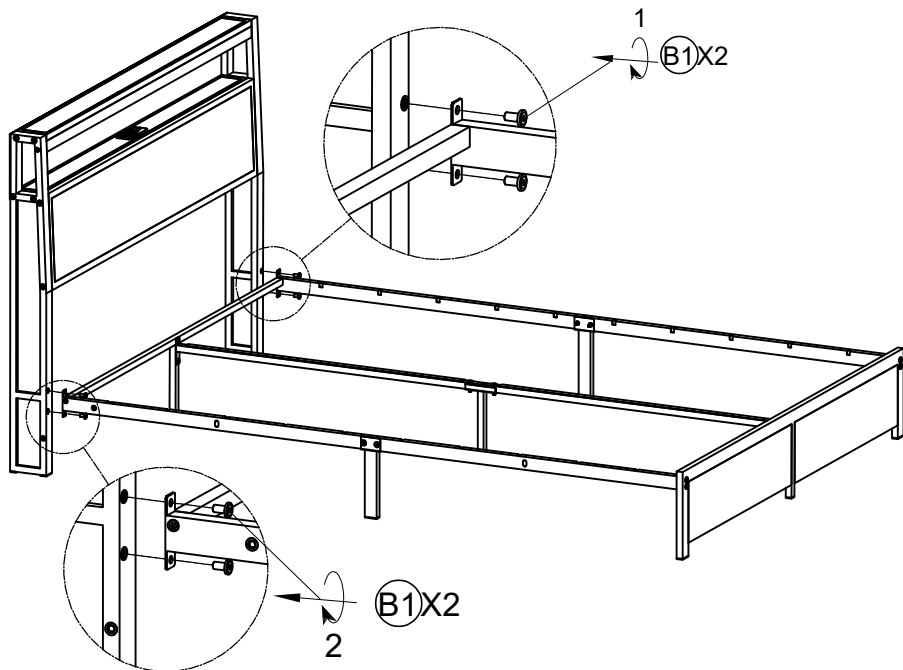


STEP 8

8.1

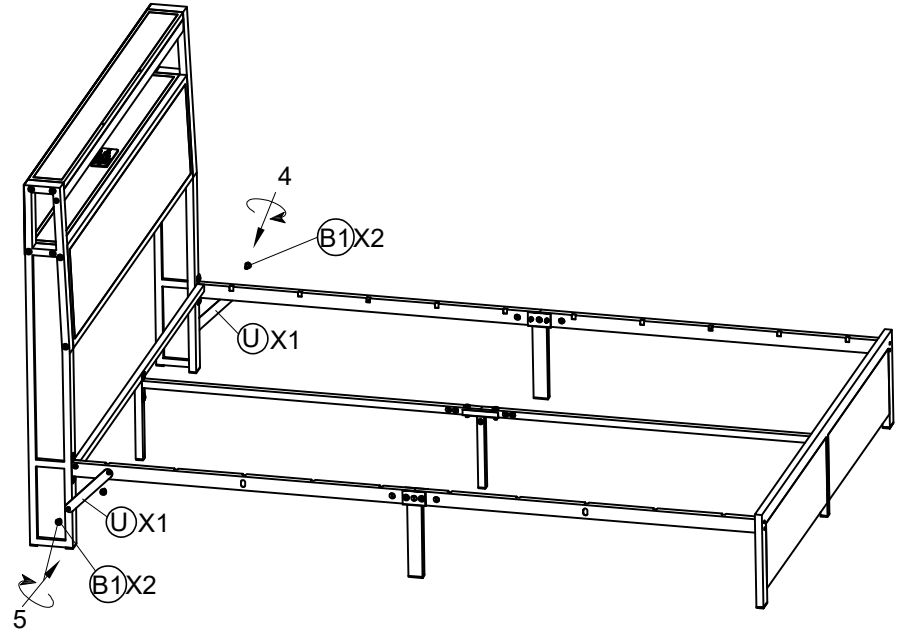


8.2

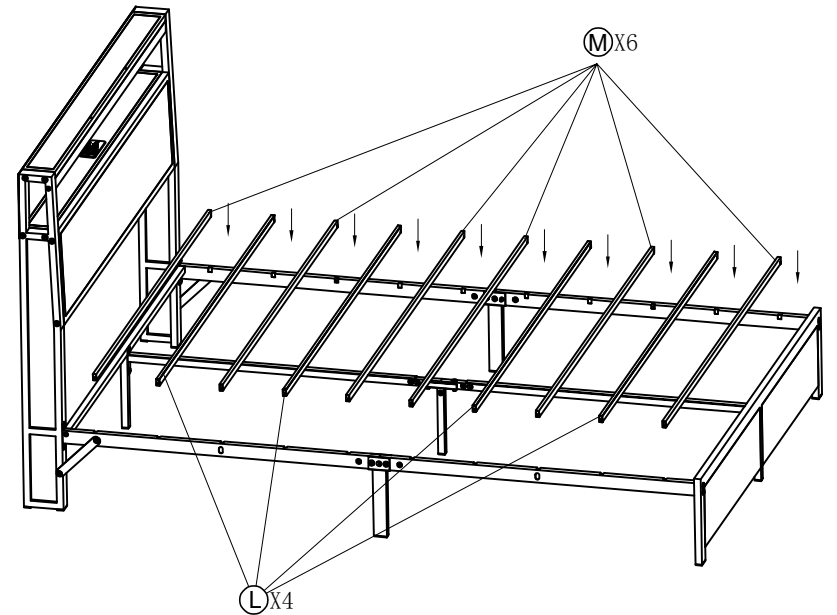


STEP 9

9.1

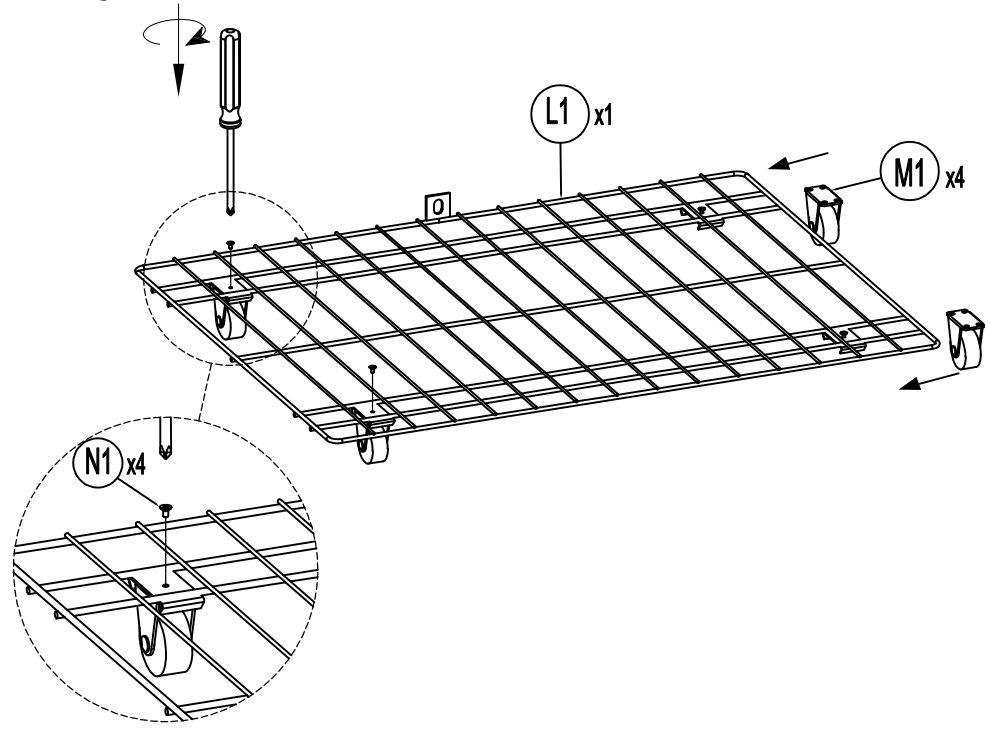


9.2

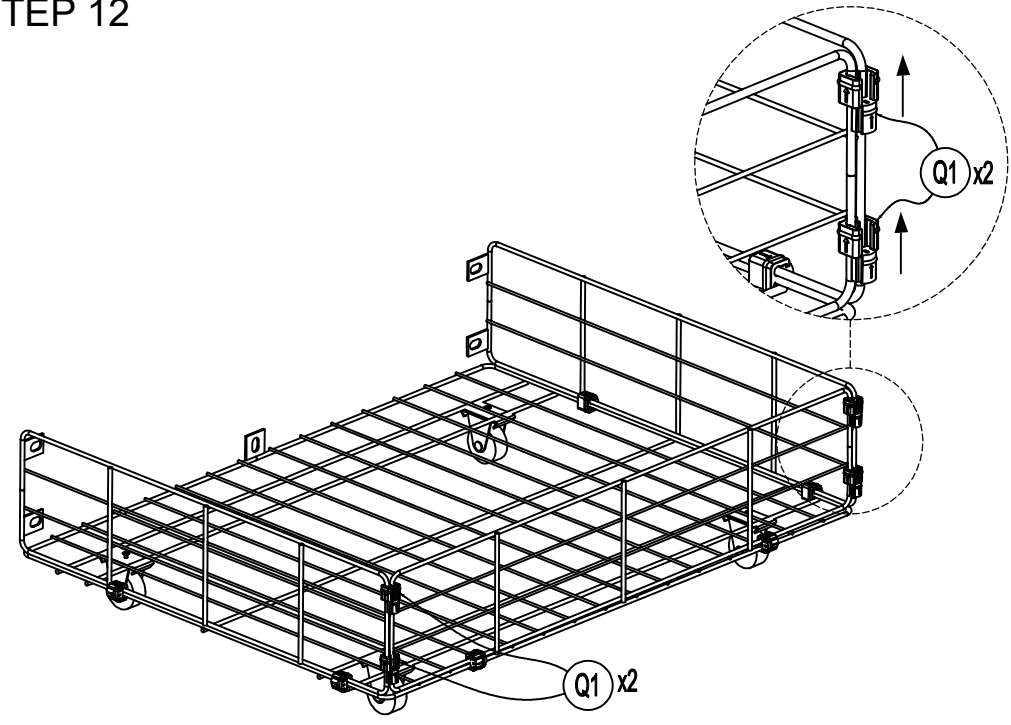


Tear off the double-sided adhesive tape before place the mattress.

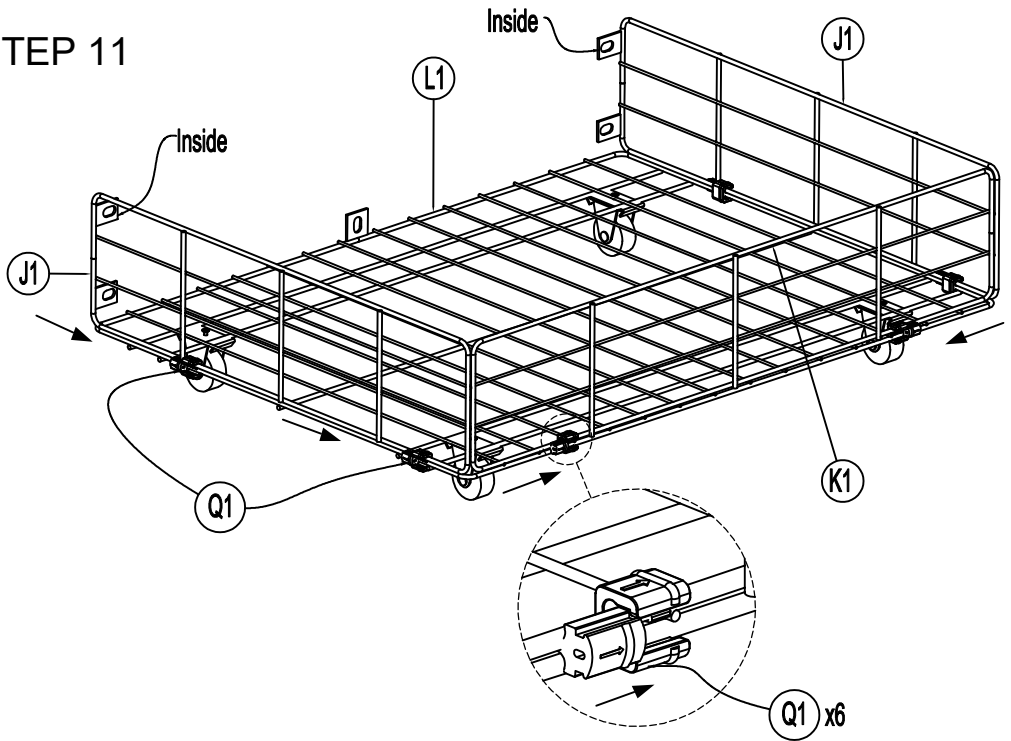
STEP 10



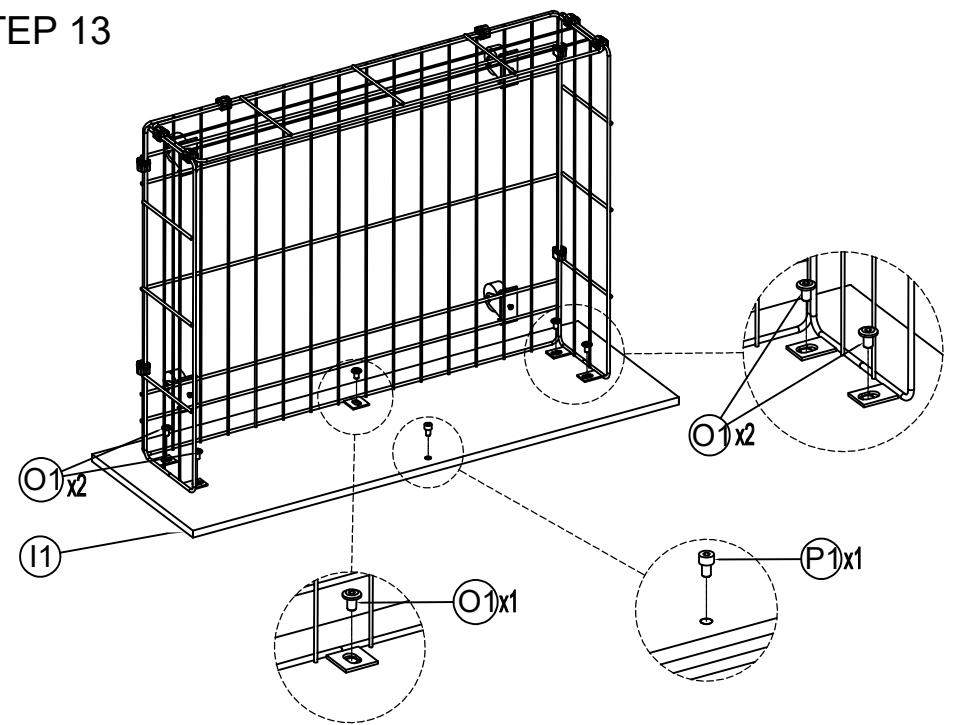
STEP 12



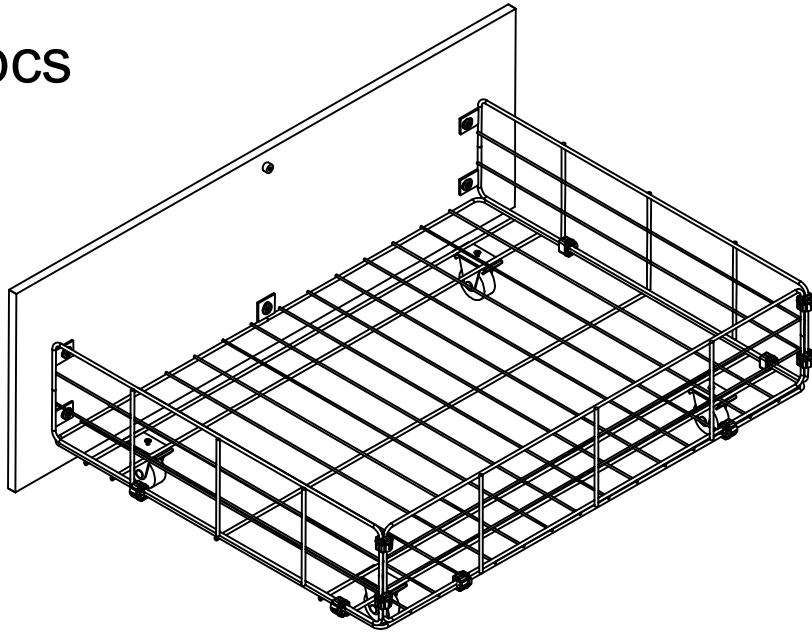
STEP 11



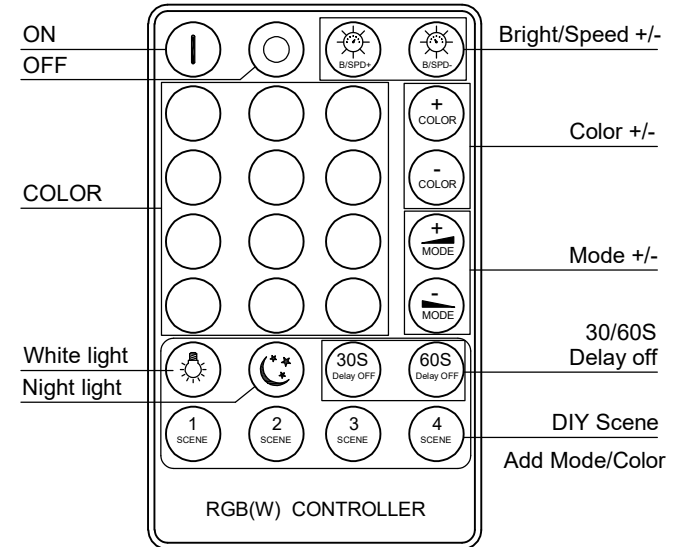
STEP 13



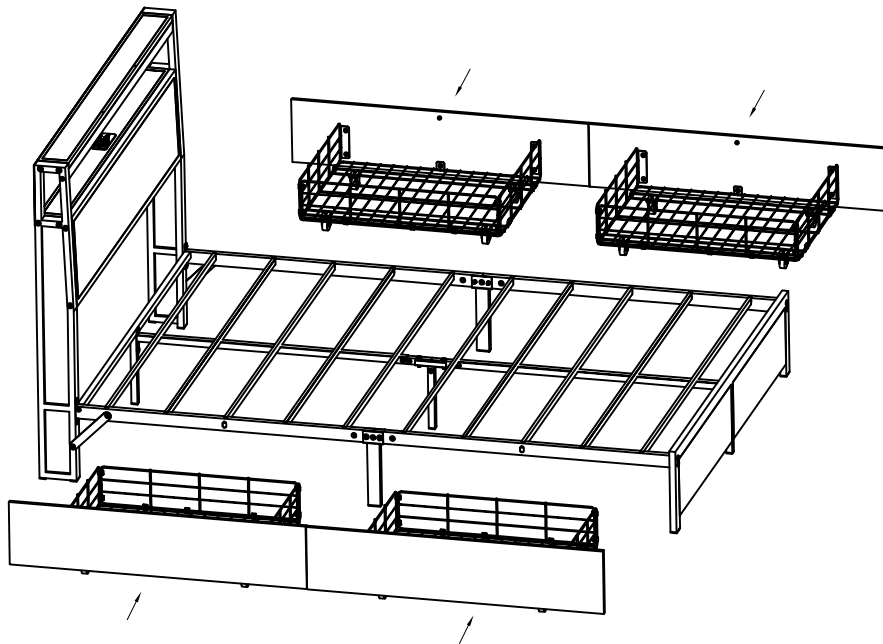
4pcs



RGB(W) CONTROLLER



STEP 14



| NO. | Dynamic modes | NO. | Dynamic modes |
|-----|---------------|-----|------------------|
| 1 | W+Red | 7 | 3 colors jump |
| 2 | W+Green | 8 | 3 colors fade |
| 3 | W+Blue | 9 | 7 colors jump |
| 4 | W+Yellow | 10 | 7 colors fade |
| 5 | W+Purple | 11 | Full colors fade |
| 6 | W+Cyan | | |