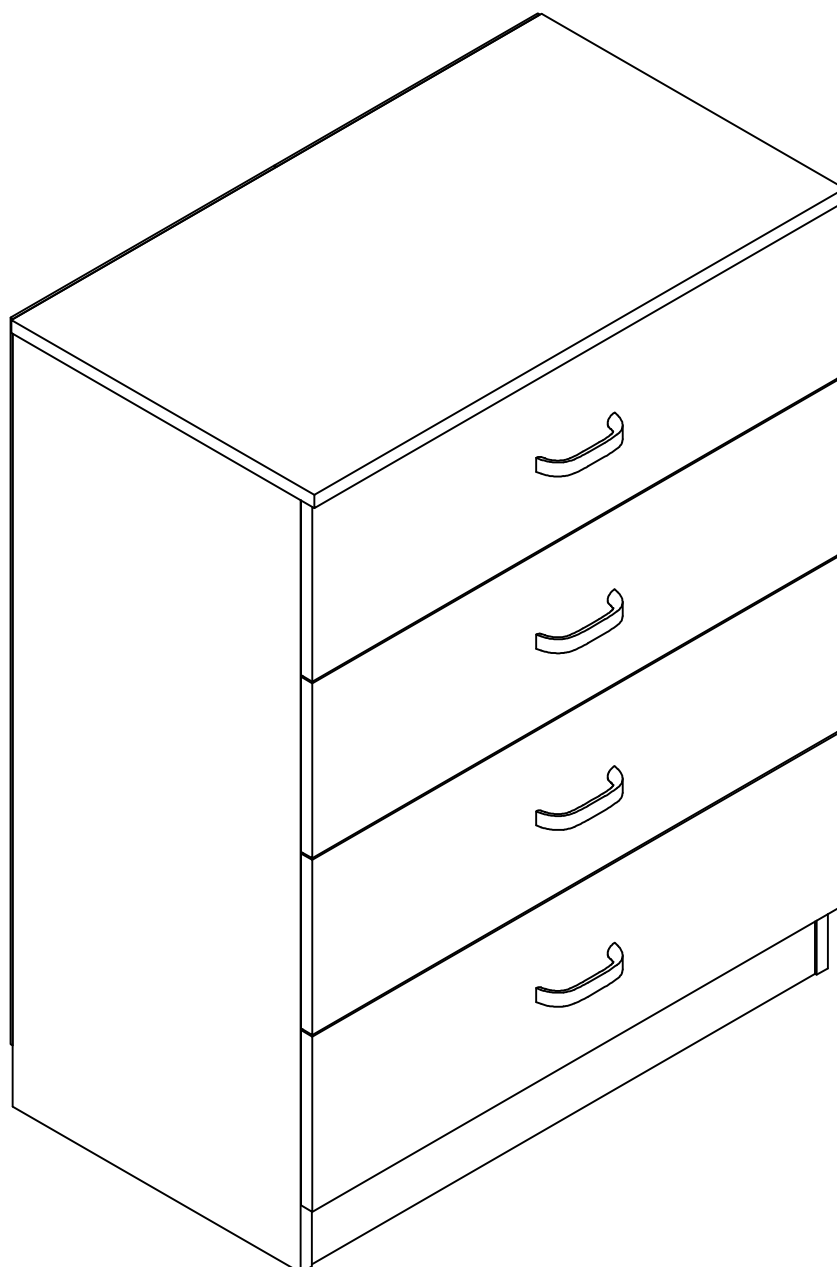


# TUNIS 3 DRAWER CHEST

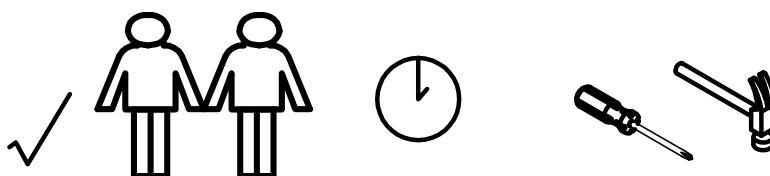
ASSEMBLY INSTRUCTION - Please Keep For Future Reference



# Safety and Care Advice

**IMPORTANT - Please Read This Instruction Carefully Before Assembly.**

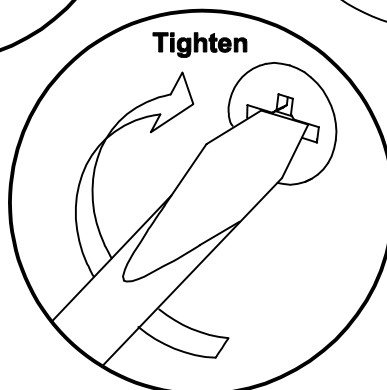
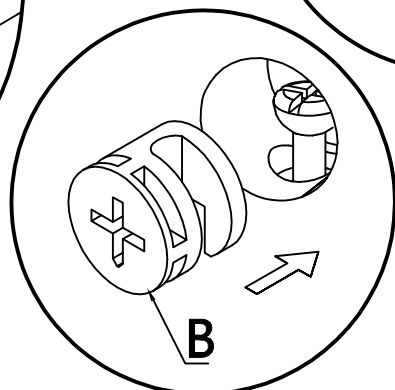
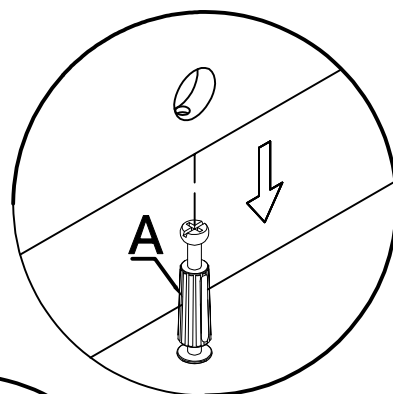
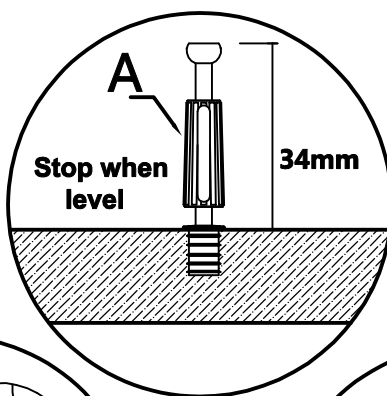
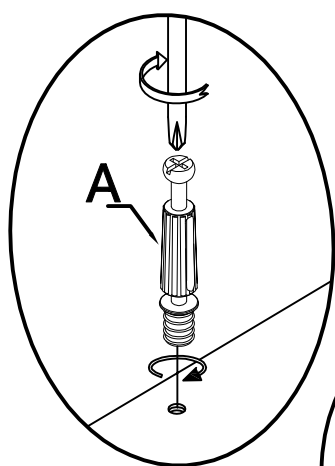
- Check you have all the components and tools listed on page 3.
- Do not stand or put weight on the product, this could cause damage.
- Do not use power drill/drivers for assembly, or the unit may be damaged.
- Remove all settings from the plastic bags and separate them into their groups.
- Assemble the item as close to its intended position (in the same room) as possible.
- Assemble on a soft level surface to avoid damaging the unit.
- Dispose of all packaging carefully and responsibly.
- Keep children and animals away from the work area, small parts could choke if swallowed.
- Parts of the assembly will be easier with 2 people.
- Make sure you have enough space to layout the parts before assembly.



## CARE and MAINTENANCE

- Only clean using a damp cloth and mild detergent, do not use bleach or abrasive cleaners.
- From time to time check that there are no loose screws on this unit.
- This product should not be discarded with household waste. Take to your local authority waste disposal center.

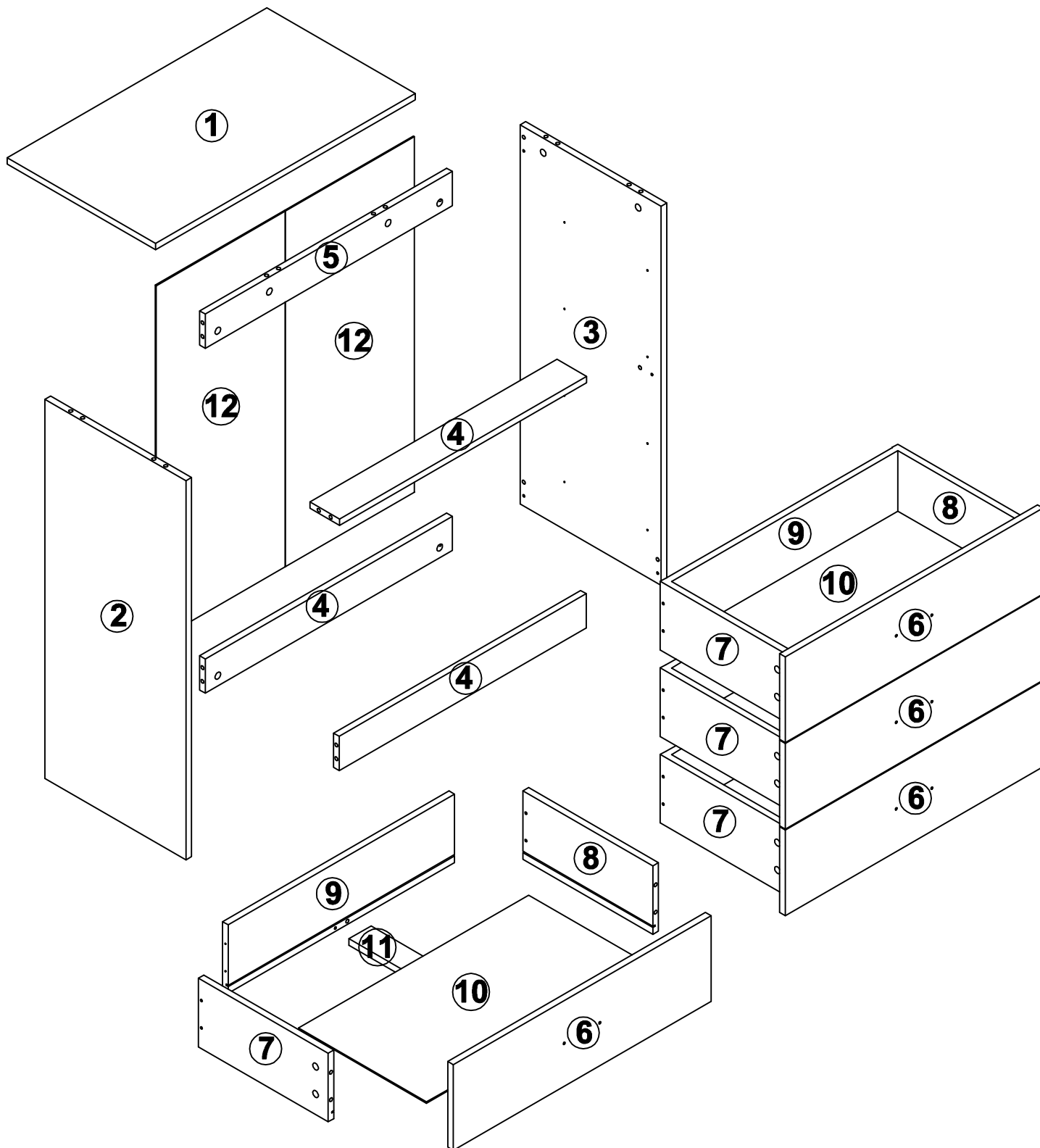
## General Hints & Tips



# Components and Tools

**IMPORTANT - Please Check If You Have All The Components and Tools.**

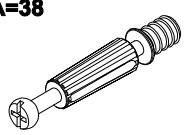
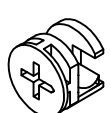
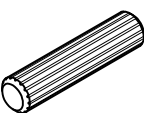

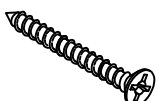



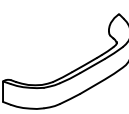

**Note: The quantities below are the correct amount to complete the assembly. In some cases more pieces may be supplied than are required.**



# Components and Tools

**IMPORTANT - Please Check If You Have All The Components and Tools.**

**Note: The quantities below are the correct amount to complete the assembly. In some cases more pieces may be supplied than are required.**

|  |  |  |   |  |  |
|--|--|--|---|--|--|
| <b>A=38</b><br><br><b>Peg M6*34mm</b> | <b>B=38</b><br><br><b>Lock M15*12mm</b> | <b>C=22</b><br><br><b>Dowel M8*30mm</b> | <b>D=32</b><br><br><b>Screw M3.5*14mm</b>                    | <b>E=16</b><br><br><b>Screw M4*38</b> | <b>F=4</b><br><br><b>Plastic Feet</b> |
| <b>G=12</b><br><br><b>Pin</b>         | <b>H=8</b><br><br><b>Screw M4*18</b>    | <b>I=4</b><br><br><b>Handle 96</b>      | <b>CR CL DR DL=4</b><br><br><b>Drawer Runner(14")</b> |  |  |

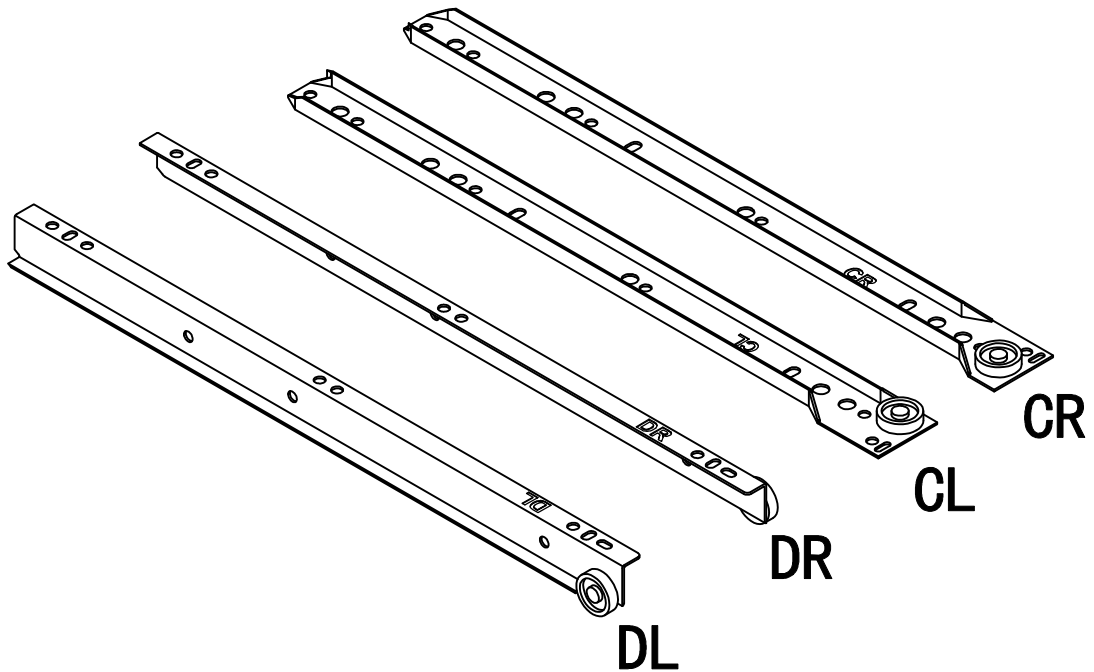
**1OF2** ①, ②, ③, ④ X3, ⑤, ⑫ X2.

**2OF2** ⑥ X4, ⑦ X4, ⑧ X4, ⑨ X4, ⑩ X4, ⑪ X4, FITTING KIT.

# Drawer Runner Instruction

**IMPORTANT - Please Read It Carefully.**

**NOTE: 1 PAIR DRAWER RUNNER INCLUDES 4 PIECES.**



## Fittings (not to scale)

| NO. | DESCRIPTION                 | QTY  |  |  |
|-----|-----------------------------|------|--|--|
| CR  | Outer Drawer Runner - Right | 4PCS |  |  |
| CL  | Outer Drawer Runner - Left  | 4PCS |  |  |
| DR  | Inner Drawer Runner - Right | 4PCS |  |  |
| DL  | Inner Drawer Runner - Left  | 4PCS |  |  |

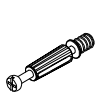


# Assembly Instruction

## Step 3

A=4

C=2

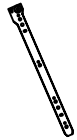


Peg

Dowel

D=8

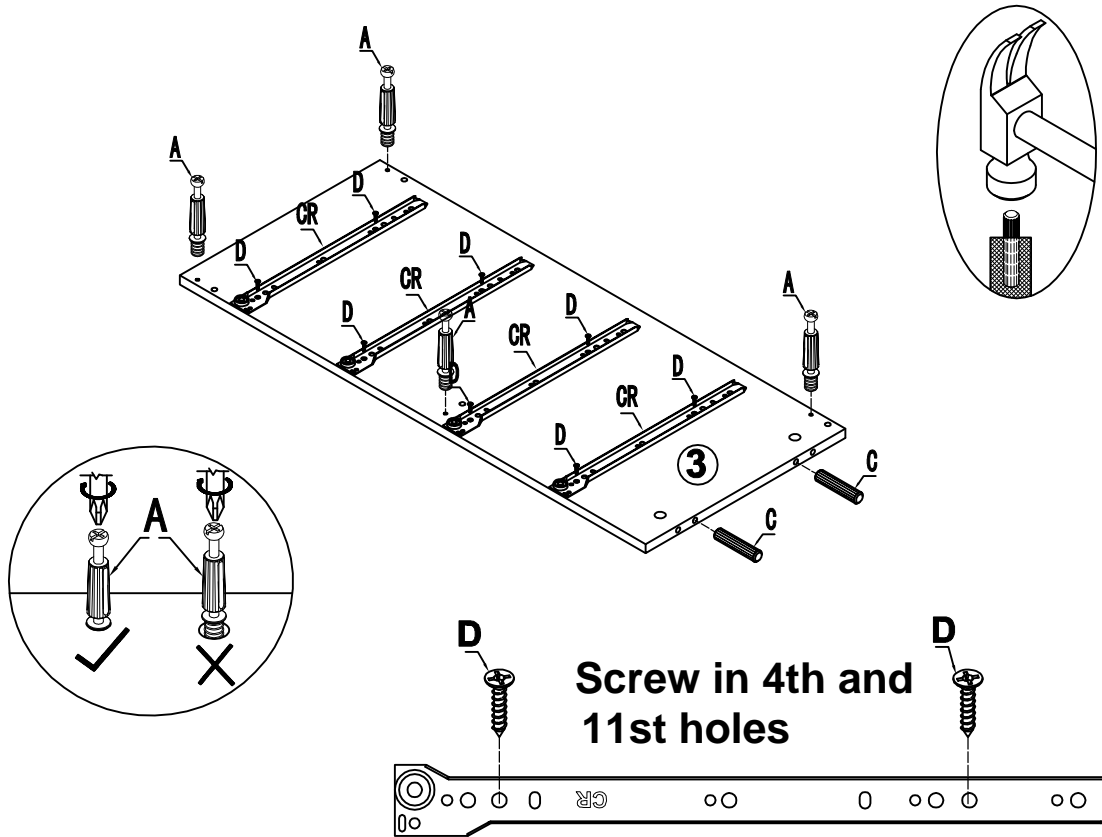
CR=4



Screw

M3.5\*14mm

Runner



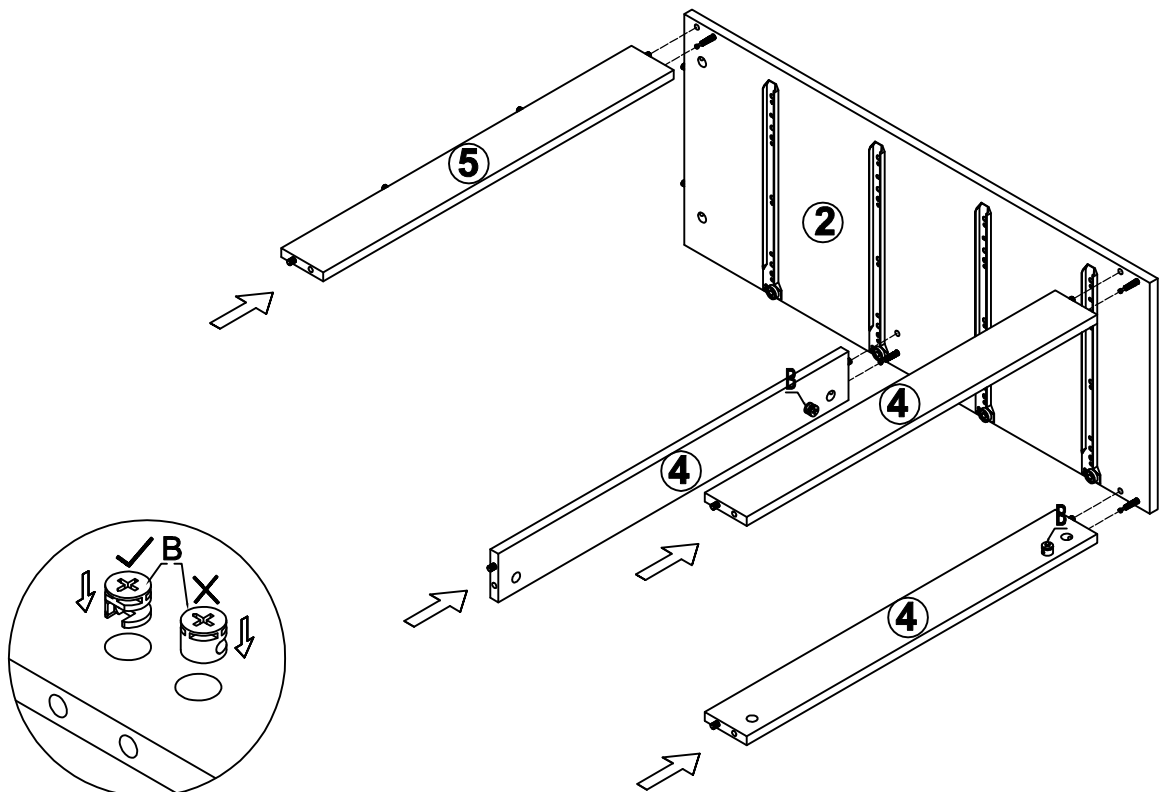
## Step 4

B=4



Lock

M15\*12



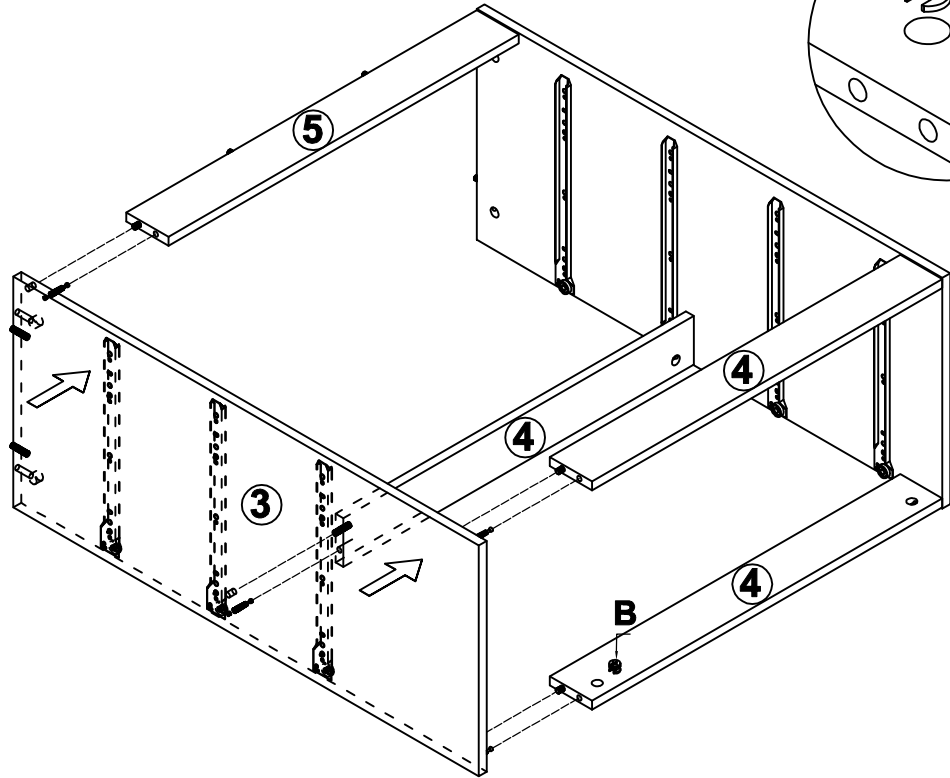
# Assembly Instruction

## Step 5

B=4



Lock  
M15\*12

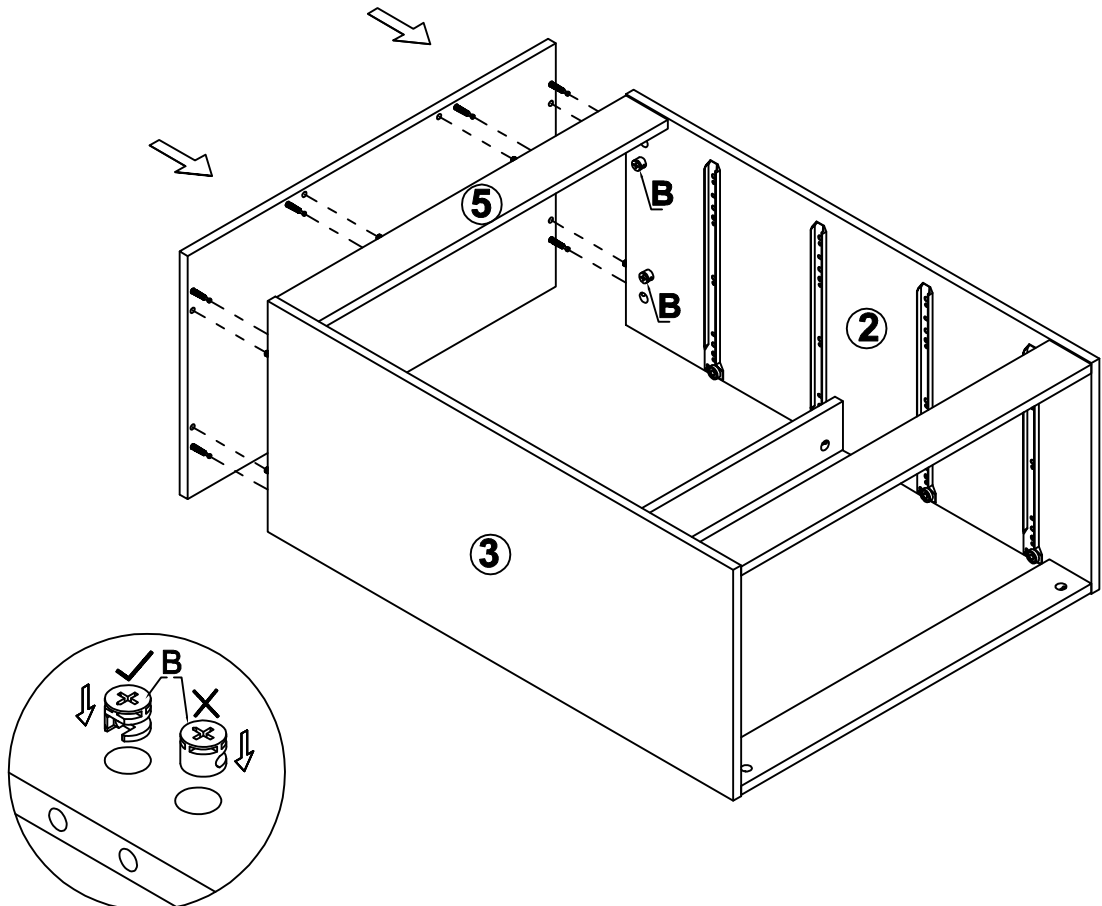


## Step 6

B=6



Lock  
M15\*12



# Assembly Instruction

## Step 7

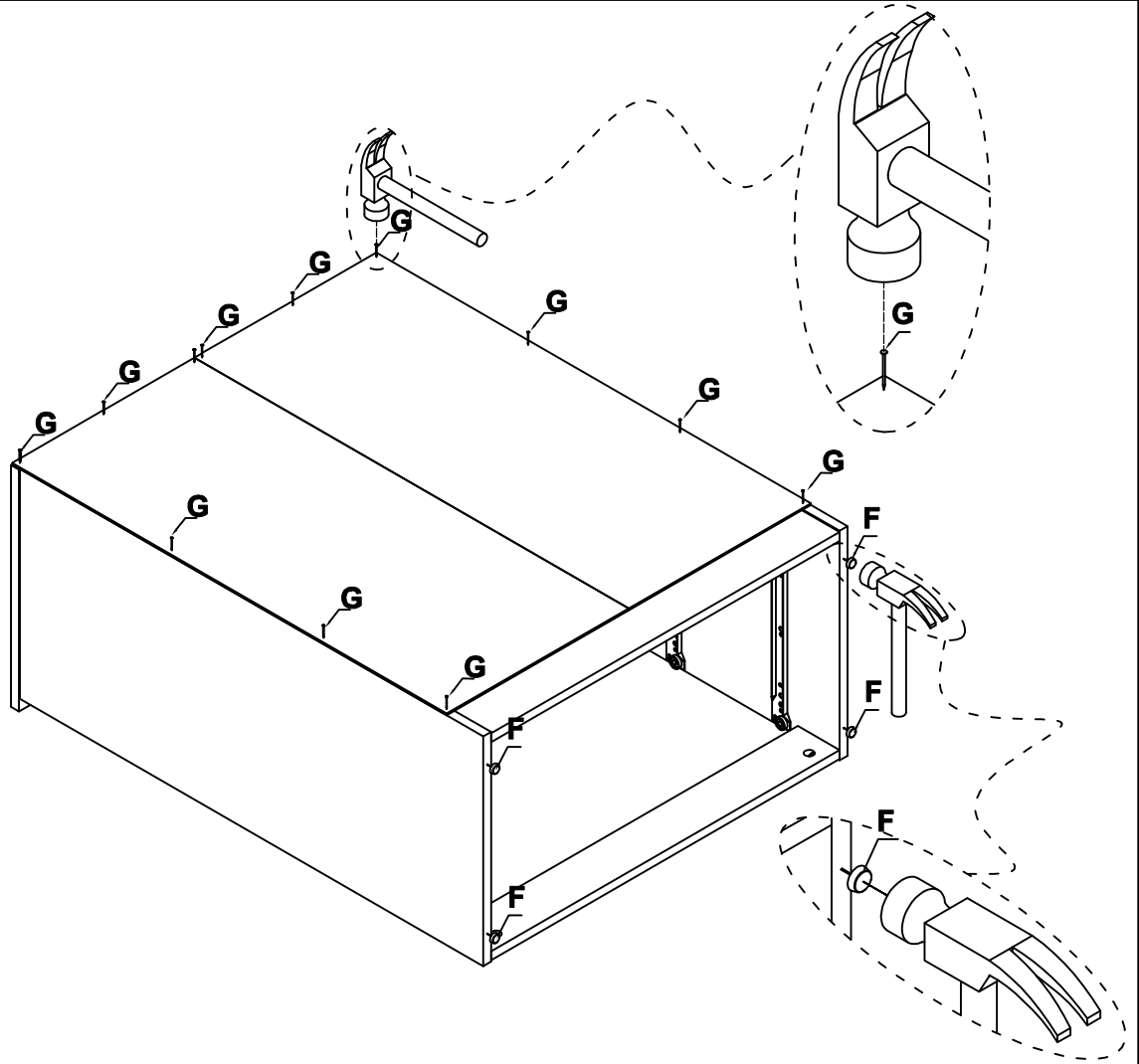
G=12

F=4



Pin

Plastic  
Feet

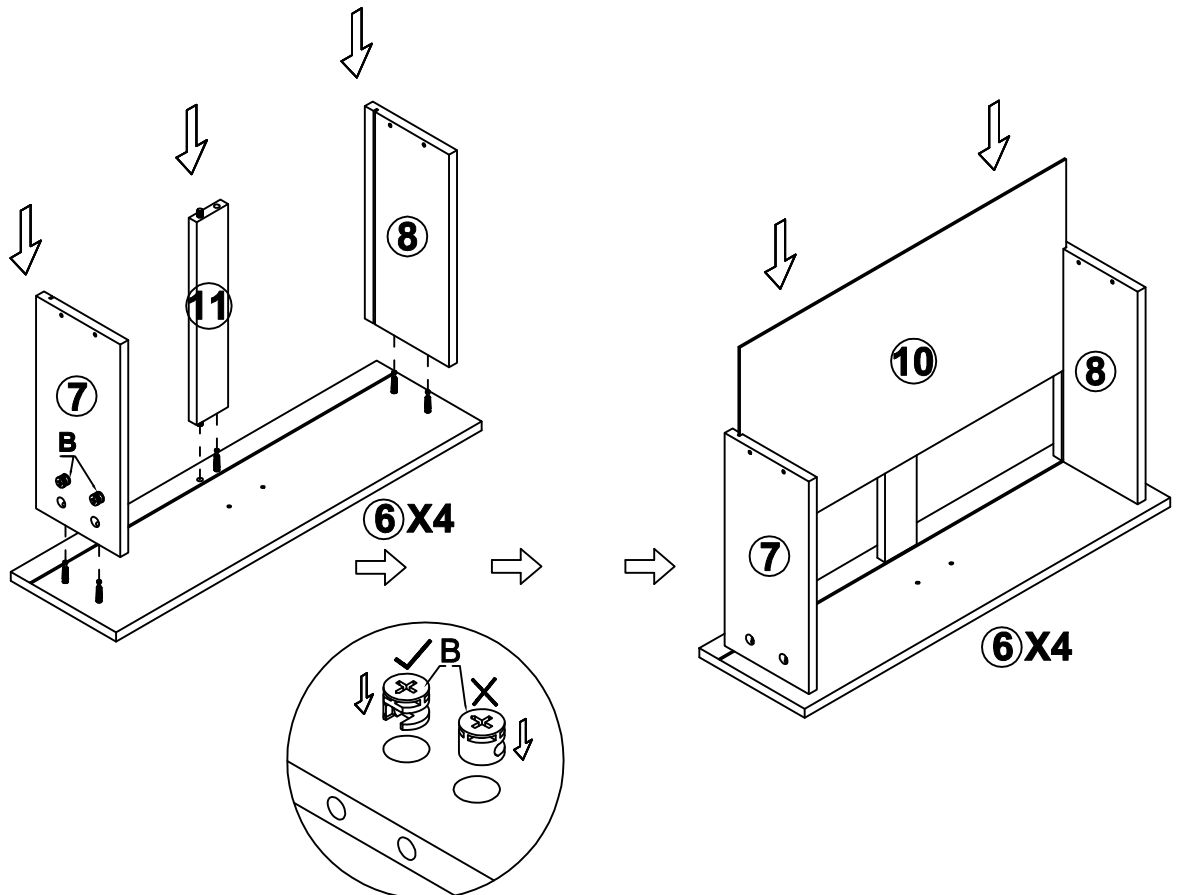


## Step 8

B=16



Lock  
M15\*12



# Assembly Instruction

## Step 9

E=16

H=8



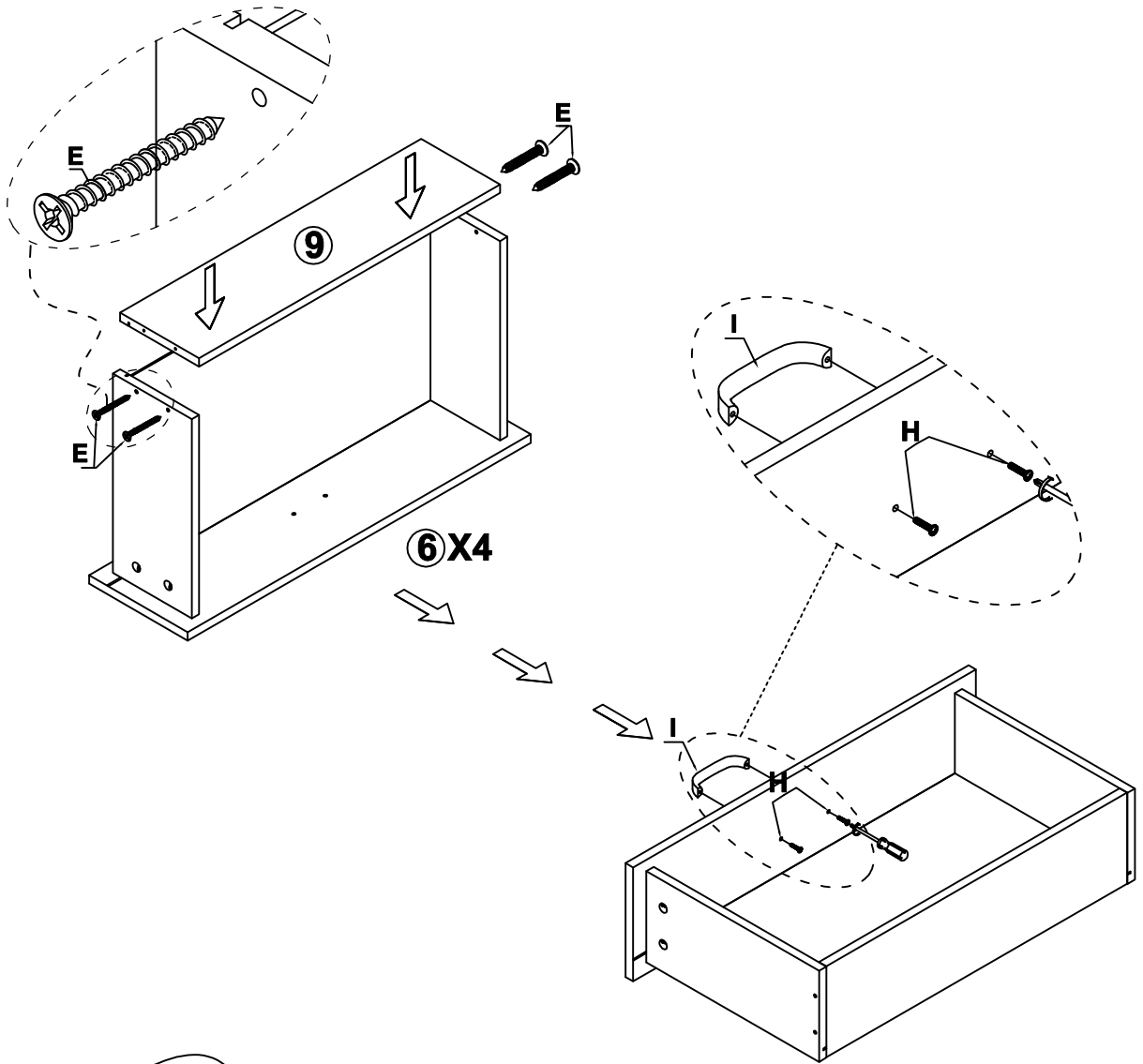
Screw  
M4\*38mm

Screw

I=4



Handle



## Step 10

B=8

D=16

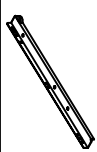


Lock  
M15\*12

Screw  
M3.5\*14mm

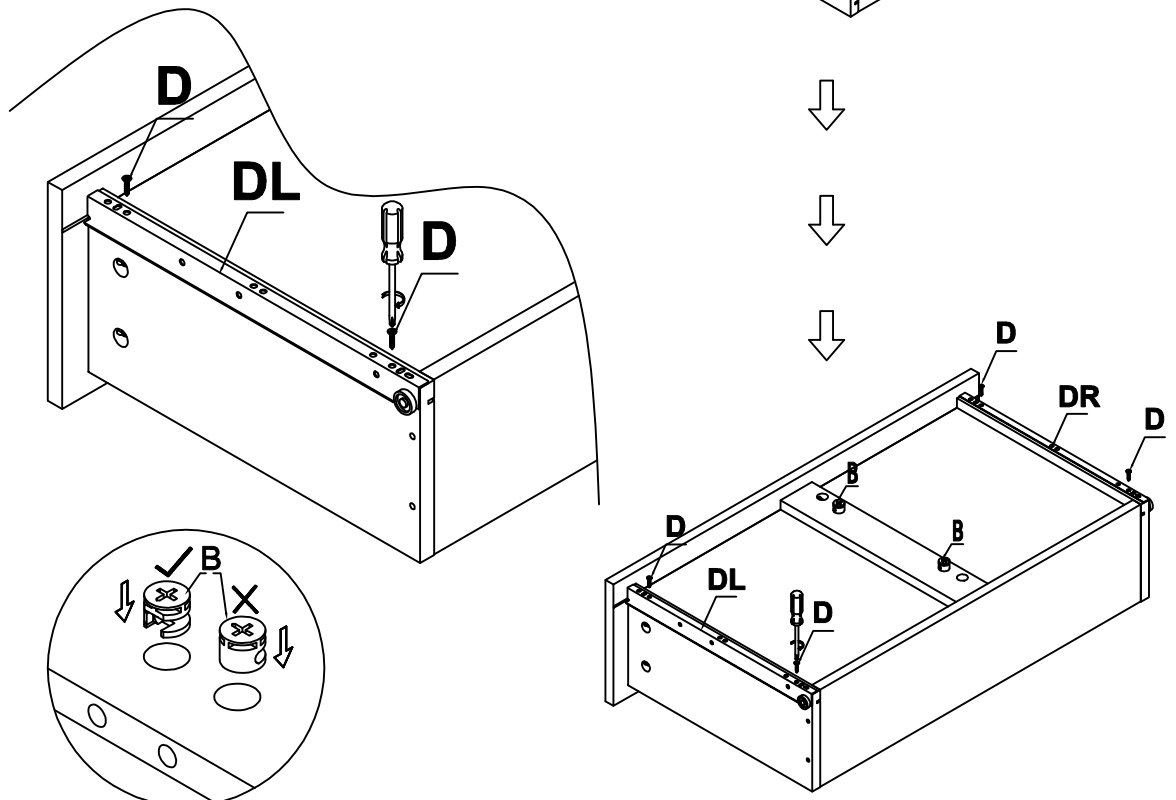
DR=4

DL=4



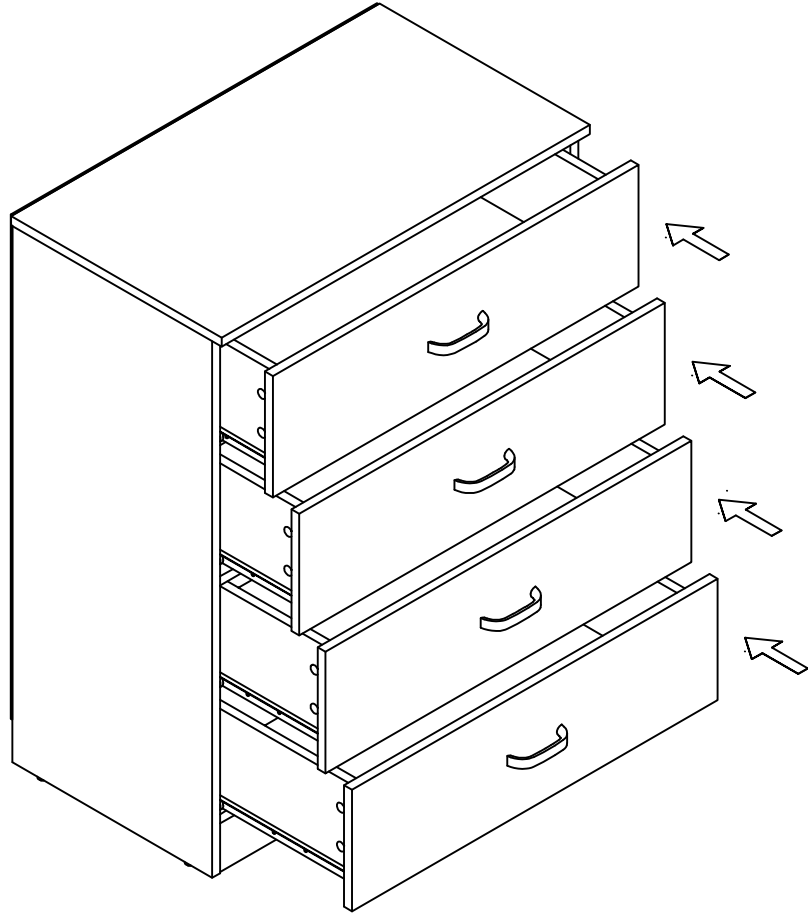
Drawer  
Runner

Drawer  
Runner

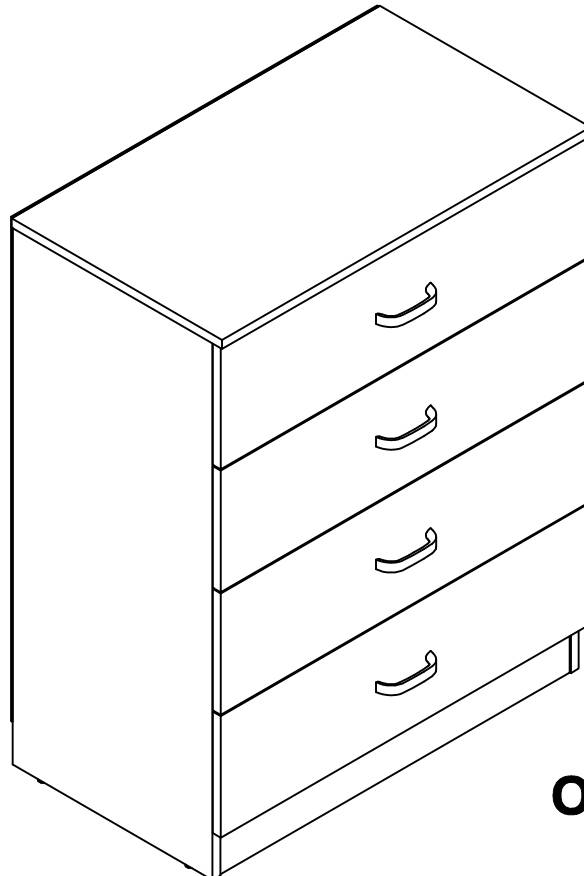


# Assembly Instruction

## Step 11



## Step 12



**OK**