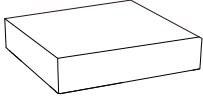
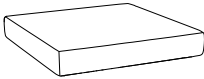


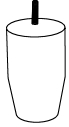
# ASSEMBLY INSTRUCTION

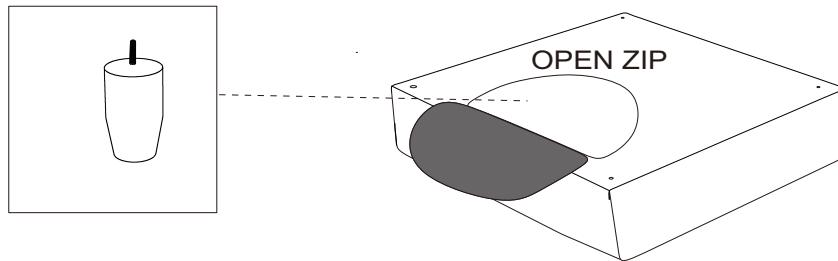


## PARTS LIST

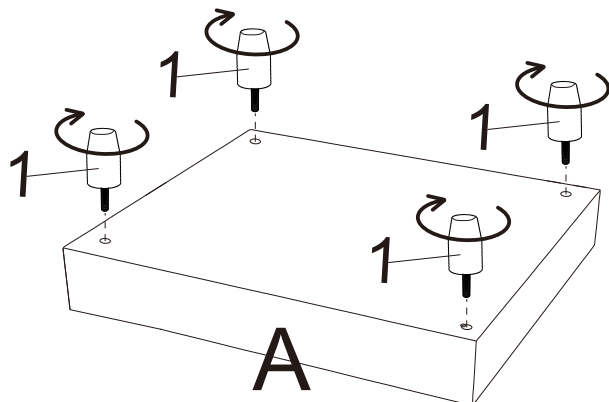
			
<b>A</b>	x1	<b>B</b>	x1

## ASSEMBLY INSTRUCTION

			
<b>1</b>	x4		



Step1



Step2

