

Owner's Manual

10 Ft Patio Umbrella

FOLLOW US:



NOTE:

The instruction booklet contains **IMPORTANT** safety information. Please read and keep for future reference.

OUR BRAND

We are one of the nation's largest direct sellers of home decor. We offer an extensive selection of high-quality indoor and outdoor furniture, appliances, and accessories. We are committed to making decorating your home easy, affordable and fun. Everything you need to make your house into a beautiful home can be found. So whether you shop by website or catalog, you can be sure you will always find top-quality merchandise for your home.

PLEASE LIKE, COMMENT AND SUBSCRIBE.

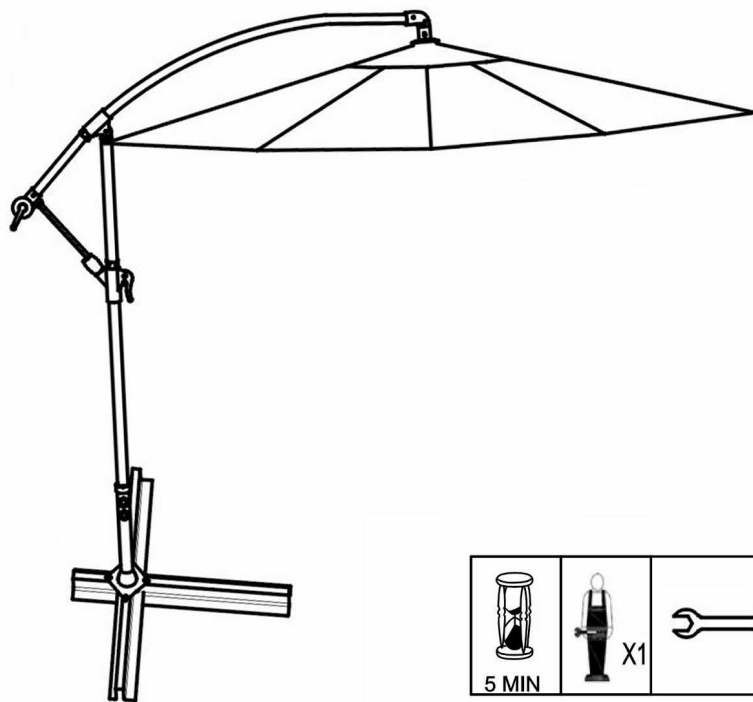


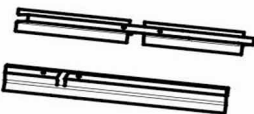
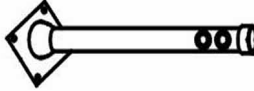
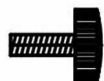


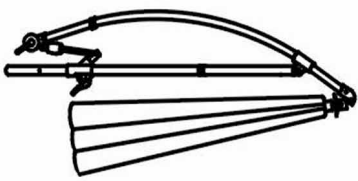
TABLE OF CONTENTS

| | |
|---------------------------|---|
| INSTRUCTIONS MANUAL | 3 |
| WARRANTY | 5 |

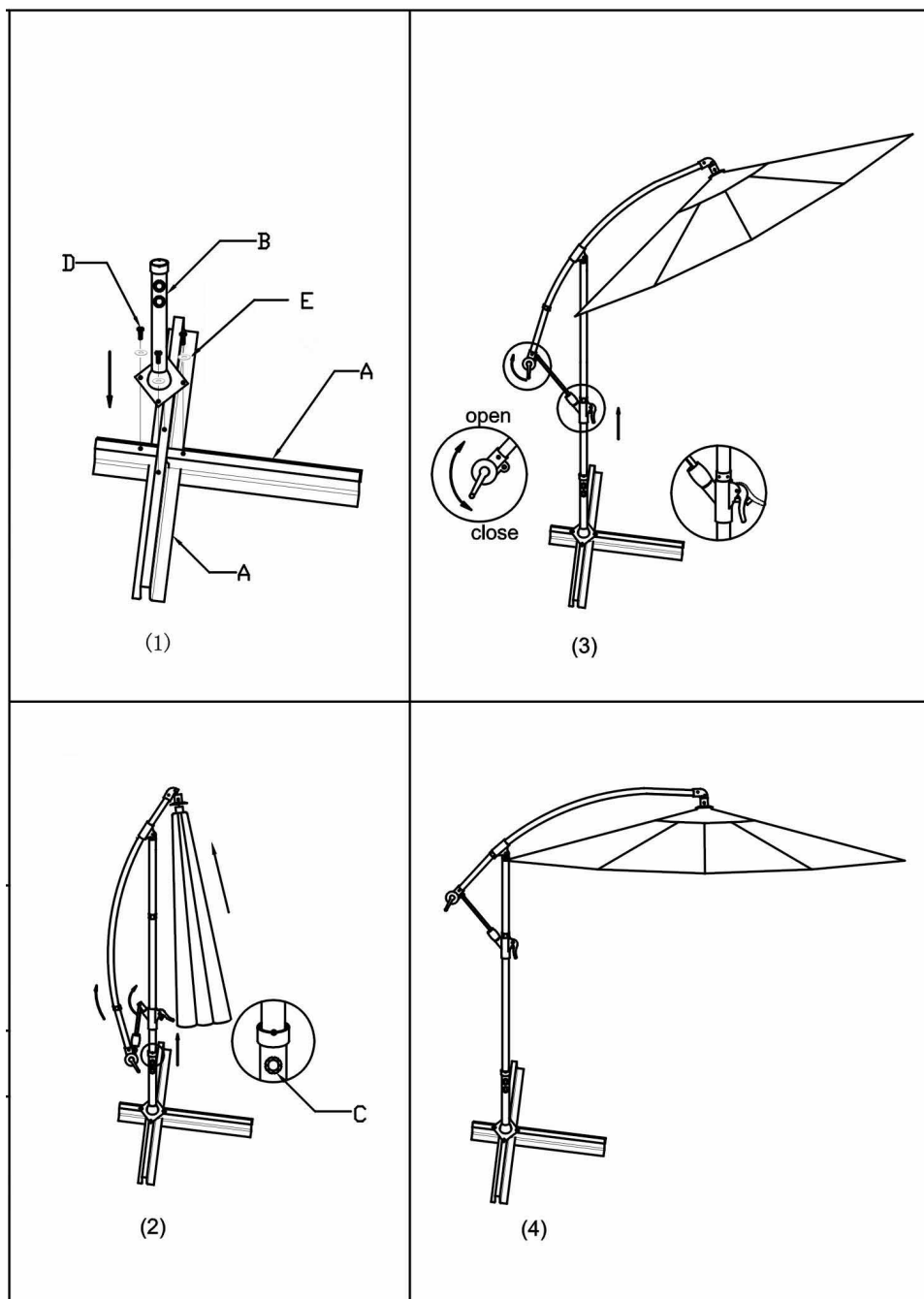
INSTRUCTIONS MANUAL

Assembly instructions



| | | |
|---|---|---|
|  |  |  |
| A X2 | B X1 | C X2 |
|  |  |  |
| D X4 | E X4 | |

INSTRUCTIONS MANUAL



LIMITED TERM WARRANTY

ONE (1) YEAR FROM DATE OF PURCHASE

WARRANTY TERMS

We warrant that its merchandise are free from manufacturing defects (workmanship and/or material) and will either give credit or replace defective parts for a period of up to one (1) year from the date of purchase in accordance with the conditions set forth below.

ADDITIONAL CONDITIONS

The following examples are not manufacturer's defects:

- Colors may vary slightly from the photo because of photography and printing tolerances.
- Foam will soften slightly.
- Sizes are stated in U.S. standard measurements while the actual sizes are manufactured using the metric system. Therefore the sizes may vary slightly.
- There are no exchanges or refunds on any pillows or toppers sold.
- No returns for buyer's remorse.
- * No returns - other than stated above - will be accepted