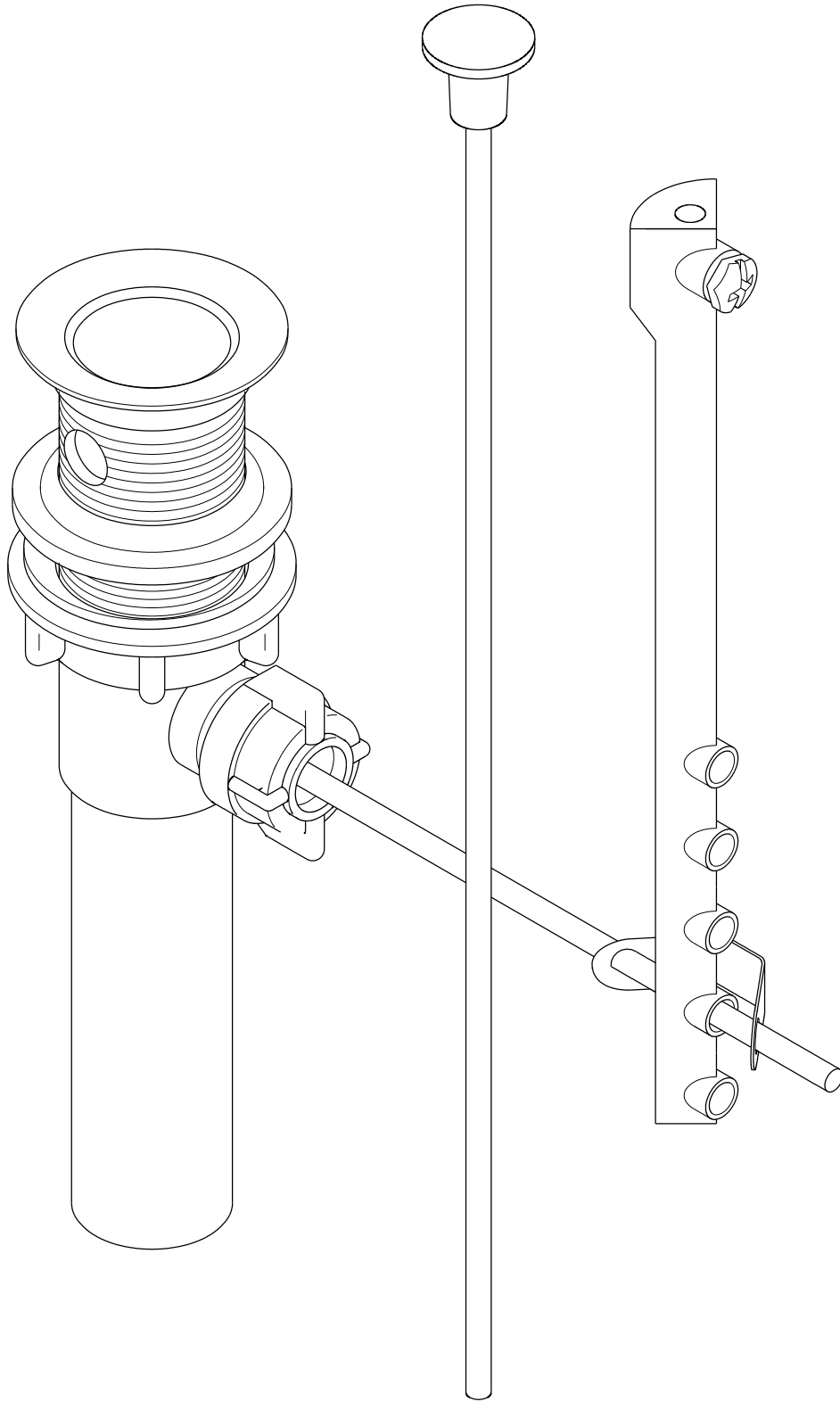


KINGSTON BRASS

THE TRADITION OF FINE BRASS



www.kingstonbrass.com

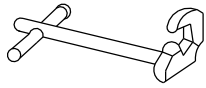
TOLL-FREE CUSTOMER SERVICE: 1-877-2-KBRASS

TECHNICAL SUPPORT E-mail: service@kingstonbrass.com

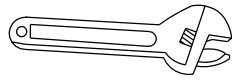
12775 Reservoir Street, Chino, CA91710

INSTALLATION INSTRUCTIONS For Use With KB's Plastic Pop-Up

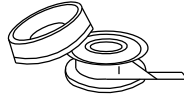
Need Tools:



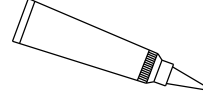
Basin Wrench



Adjustable Wrench



Teflon Tape



Silicone Sealant



Screwdriver

INSTALLATION:

1. Remove the drain flange(2) and drain plug(1) and rubber(3) from pop-up assembly.
2. Apply a small bead of silicone caulking (Do not use Plumbers putty) under drain flange.
3. Insert threaded end of pop-up assembly from underneath the sink.
4. Thread the drain flange(2) on top of pop-up assembly, making sure to position side hole towards the rear wall.
5. Insert drain plug(1) aligning the bottom hole with the side hole.
6. Insert small side of ball rod in side hole, making sure that the rod goes through bottom hole of drain plug.
7. Apply Teflon tape on ball rod thread connection, tighten nut(8) so that ball rod(7) moves loosely, do not over tighten.
8. Insert pop up rod(12) through the top portion of lift rod strap and tighten thumb screw (11).
9. Push the ball rod down, this will make drain plug go up.
10. Insert one side of ball rod clip(9).
11. Insert lift rod strap onto ball rod.
12. Slide other side of ball rod clip.
13. Test movement of pop-up, if necessary adjust by loosening thumb screw and tightening in a position that will give you smooth movement.
lift rod strap may also be used for adjustment.
14. Turn handles on faucet to the full on position and inspect to insure that there is no leaking underneath lavatory.

