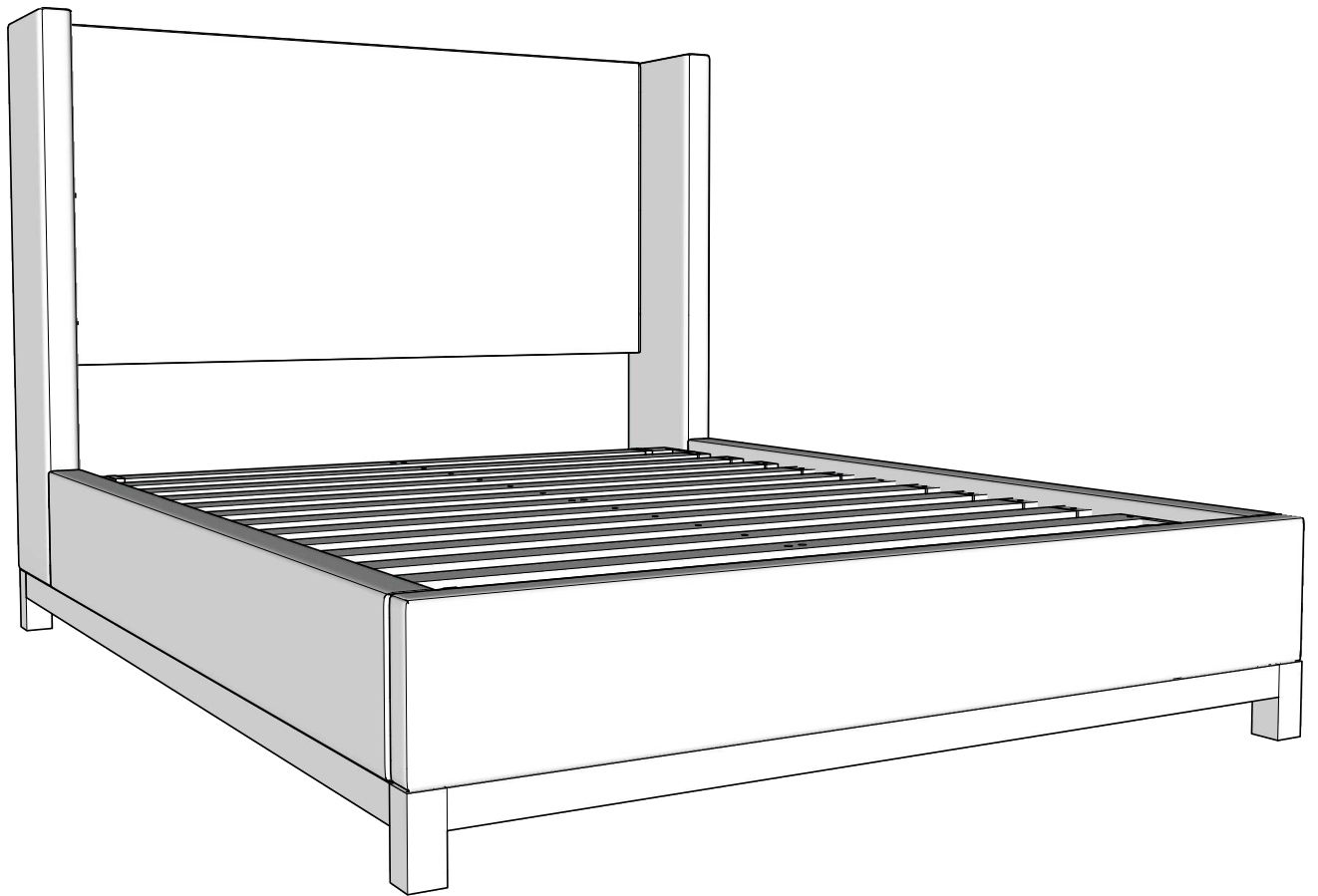


ASSEMBLY INSTRUCTIONS





IMPORTANT INFORMATION

Seller and Manufacturer disclaim all and any liability for property damage, personal injury, or loss, direct, indirect, or incidental, resulting from the incorrect assembly, inadequate maintenance, improper use, or neglect of this product.



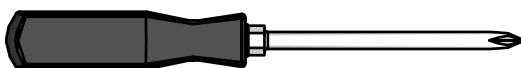
NOTICE

- Keep these assembly instructions for future reference.
- Do not use this product if there are missing, damaged, or broken parts until repairs are made and/or factory replacement parts are installed.
- Check all packing material carefully for small hardware that may have become loose inside the carton during shipment.
- Identify and count all hardware and parts to compare with parts and hardware list.
- Follow assembly instructions closely. Improper assembly can result in personal or property damage.
- Secure all bolts before use.
- Every 90 days check all bolts are secured.
- Some parts may have a sharp corner or edge and maybe heavy.
- Do not use or store this product near open flames or around flammable chemicals.
- When placing contents on non-carpeted flooring, it's recommended to use floor protection such as an area rug or furniture pads. These are not included with the purchase.
- Do not drag or push the bed frame. To ensure safe moving, always use two people to lift and re-position the bedframe. Avoid dragging or pushing it across the floor to prevent damage to the legs, slats, and the center support legs.

REPLACEMENT PART OR HARDWARE REQUEST:

Request a replacement by logging into the marketplace account in which the purchase was made and sending a message to the seller. To assist in expediting the request attach applicable images relevant to the request and/or part number and quantity.

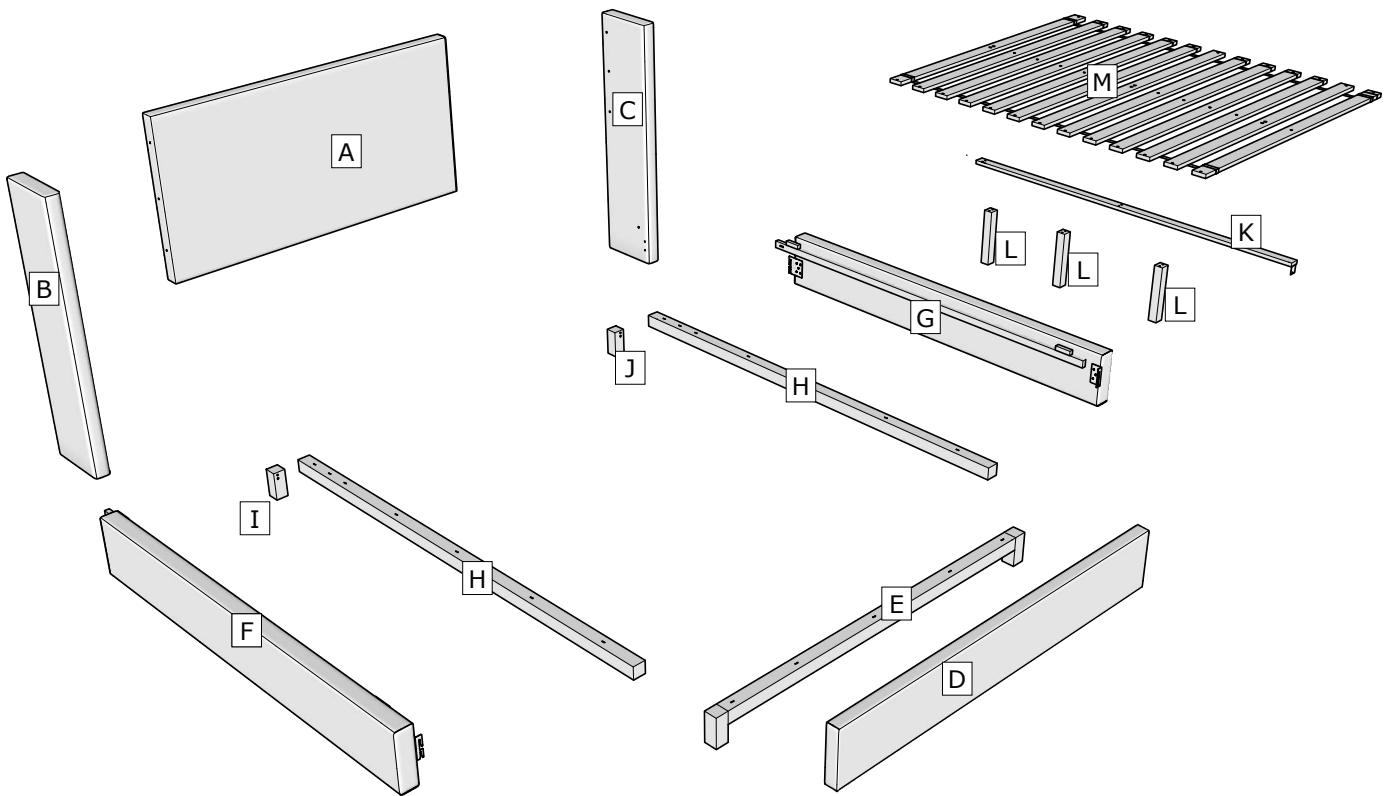
ADDITIONAL TOOL REQUIRED:



**#2 Philips Screwdriver
(Not Provided)**

BED PARTS

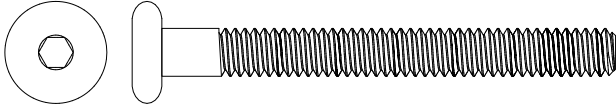
- A..... Headboard x 1
- B..... Headboard Wing Left x 1
- C..... Headboard Wing Right x 1
- D..... Footboard x 1
- E..... Footboard Wood Base..... x 1
- F..... Side Rail Left x 1
- G..... Side Rail Right..... x 1
- H..... Side Rail Wood Bottom..... x 2
- I Rear Foot Left..... x 1
- J Rear Foot Right x 1
- K..... Center Rail..... x 1
- L..... Center Support Leg x 3
- M..... Bed Slat x 13



HARDWARE

N Bolt

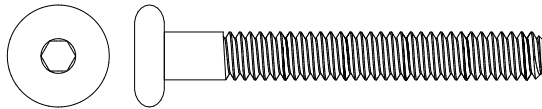
x 2



M6 x 60mm

O Bolt

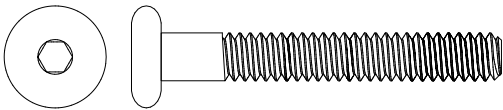
x 25



M6 x 50mm

P Bolt

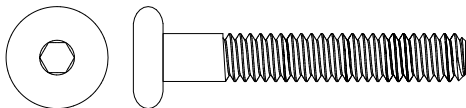
x 6



M6 x 45mm

Q Bolt

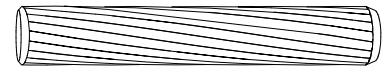
x 2



M6 x 40mm

R Dowel

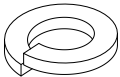
x 2



M8 x 40mm

S Spring Washer

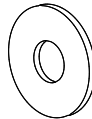
x 6



M6

T Flat Washer

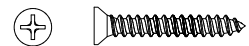
x 6



M6

U Screw

x 1



M4 x 20mm

V Screw

x 36



M4 x 25mm

W Ball End Hex Key Wrench

x 1



M4 x 100mm

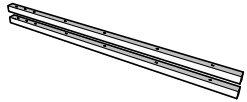
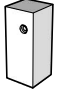
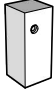



X Hex Key Wrench

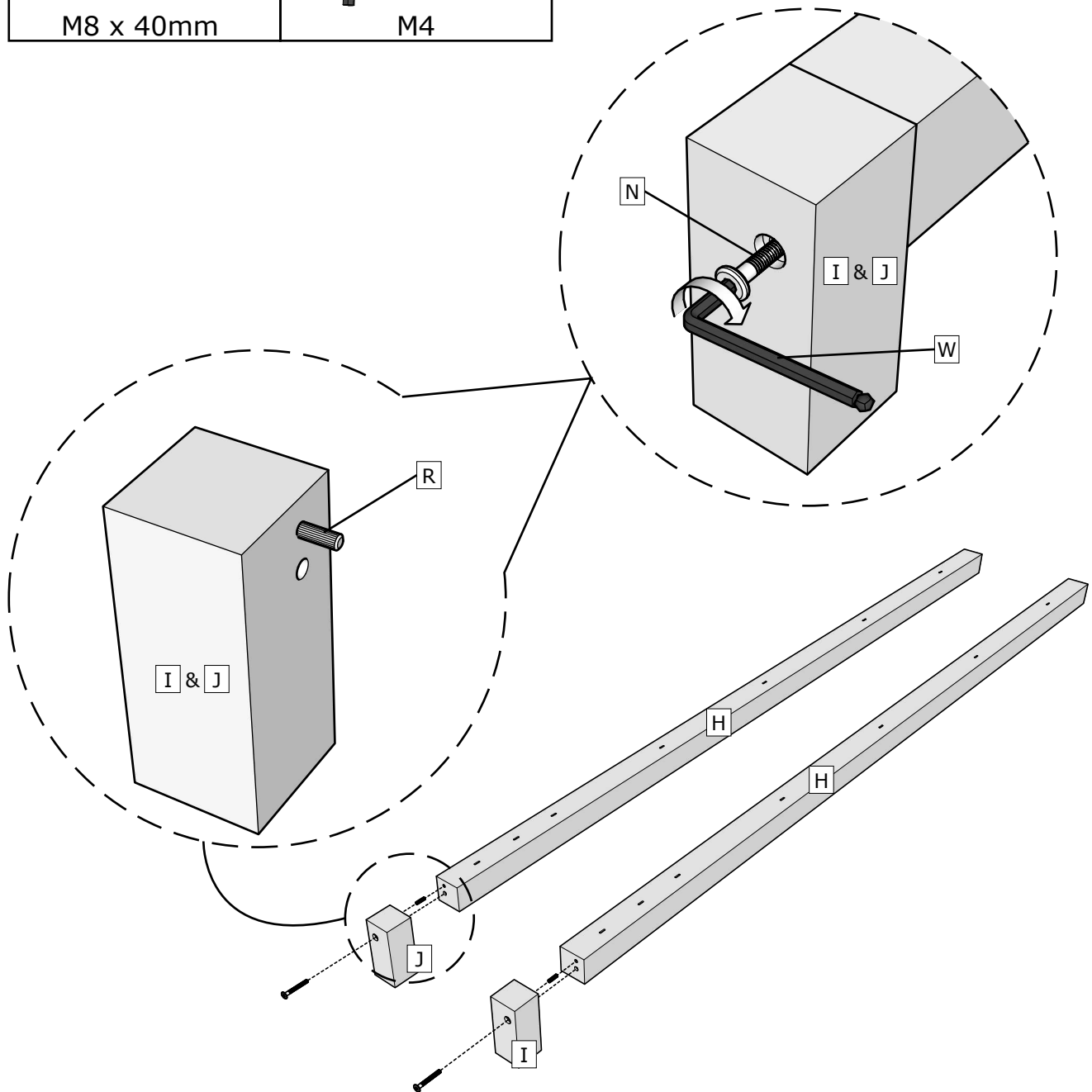
x 1



M5



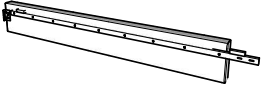
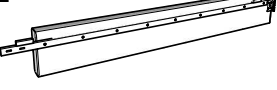

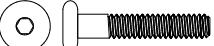
BED ASSEMBLY STEP 1

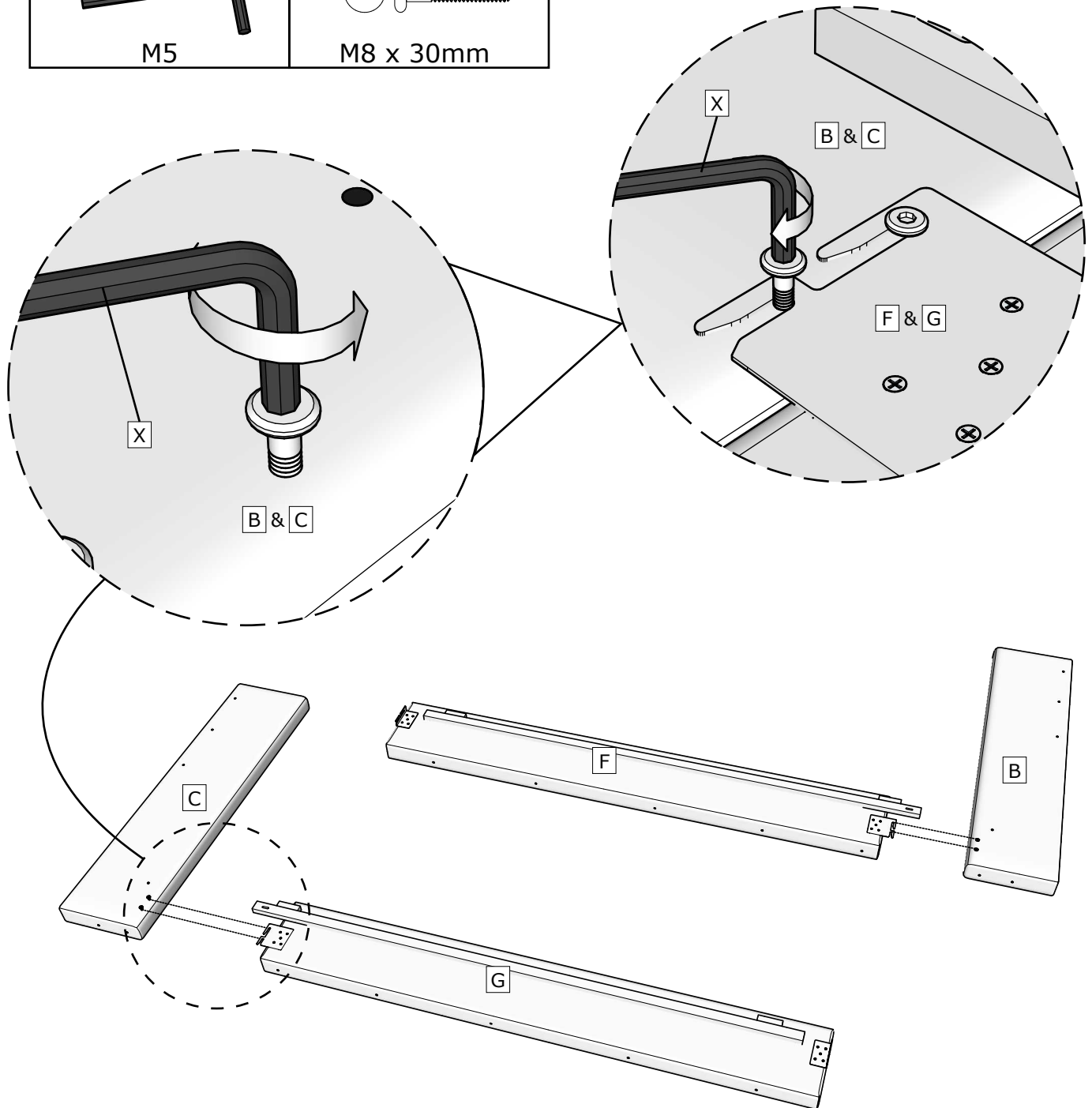
H Side Rail Wood Bottom x2 	I Rear Foot Left x1 	J Rear Foot Right x1 	N Bolt x2  M6 x 60mm
R Dowel x2  M8 x 40mm	W Ball End Hex Key Wrench x1  M4		



Attach **I** , **J** to **H** with **N** and **R** using a Ball End Hex Key Wrench **W** .

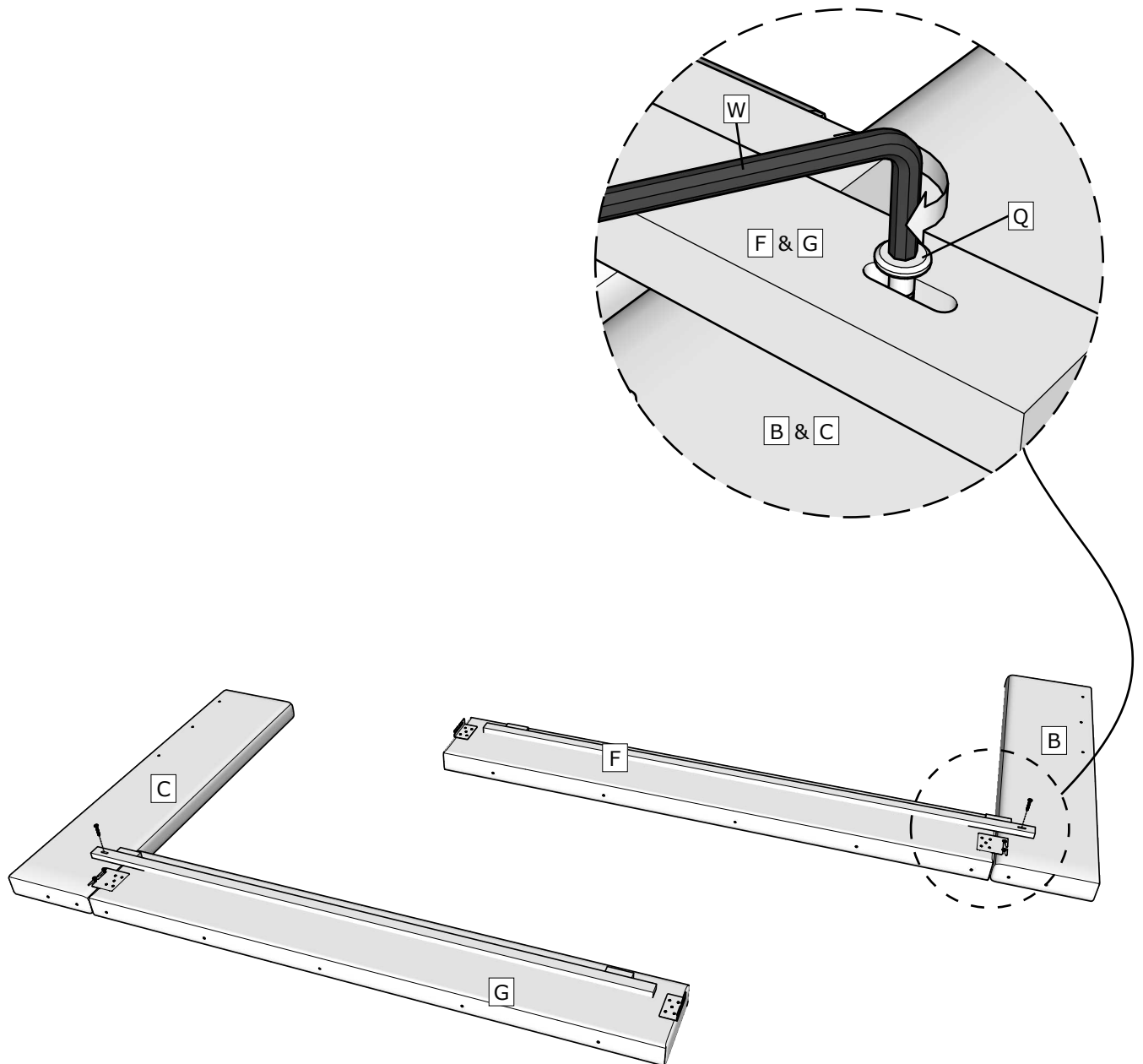
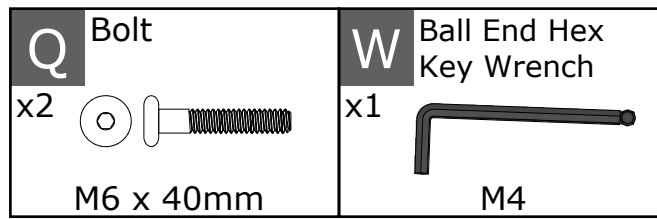
BED ASSEMBLY STEP 2

B Headboard Wing Left x1 	C Headboard Wing Right x1 	F Side Rail Left x1 	G Side Rail Right x1 
X Hex Key Wrench x1  M5	Pre-installed Bolt x4  M8 x 30mm		



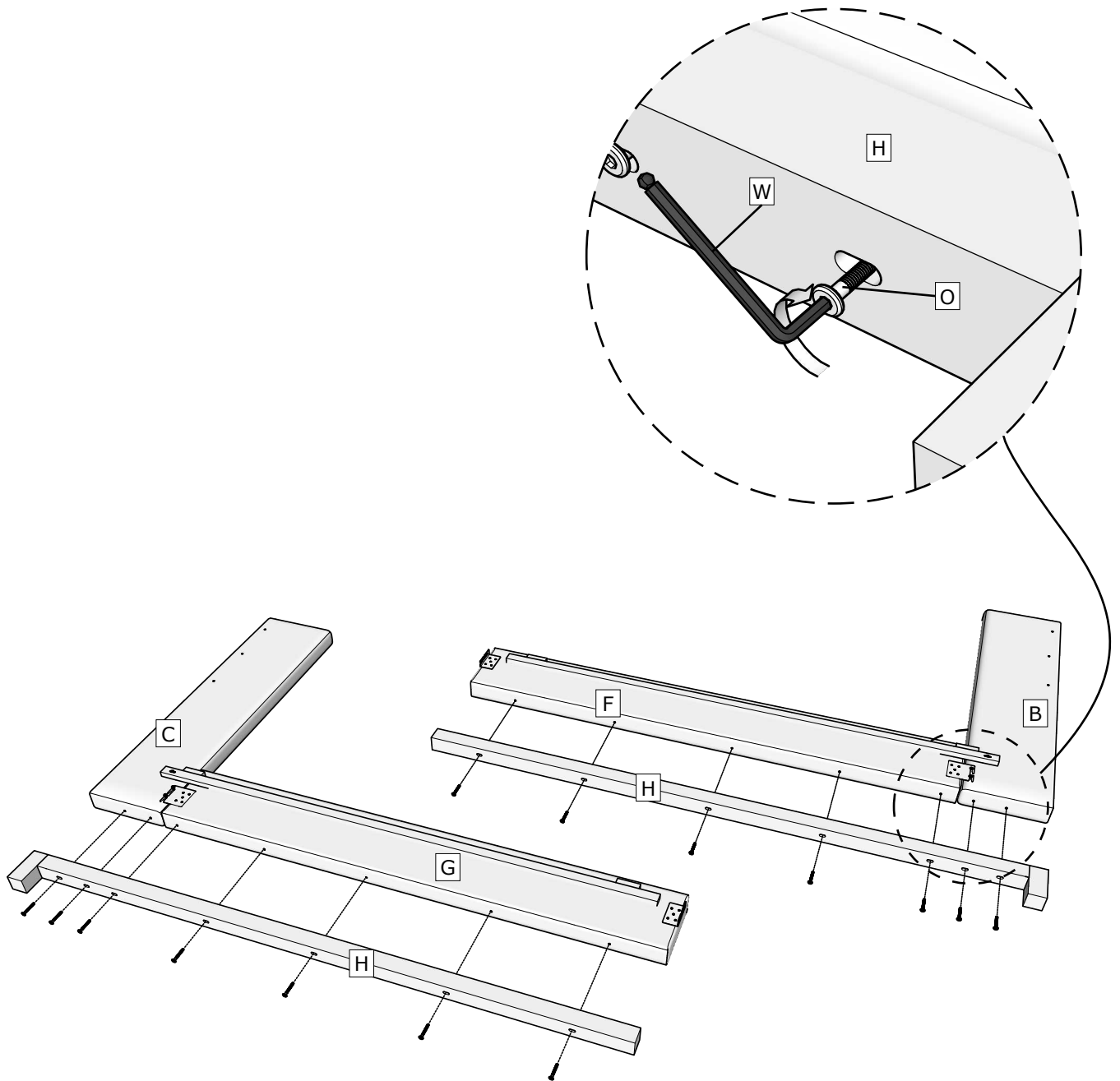
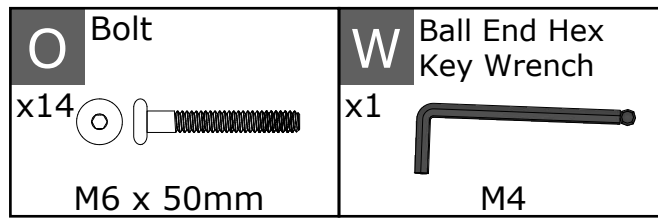
Loosen pre-installed bolt found on **B** and **C** using a Hex Key Wrench **X** .
Attach **B** to **F** and **C** to **G** with pre installed bolt using a Hex Key Wrench **X** .

BED ASSEMBLY STEP 3



Affix **Q** to Assembled Side rail using a Ball End Hex Key Wrench **W** as shown.

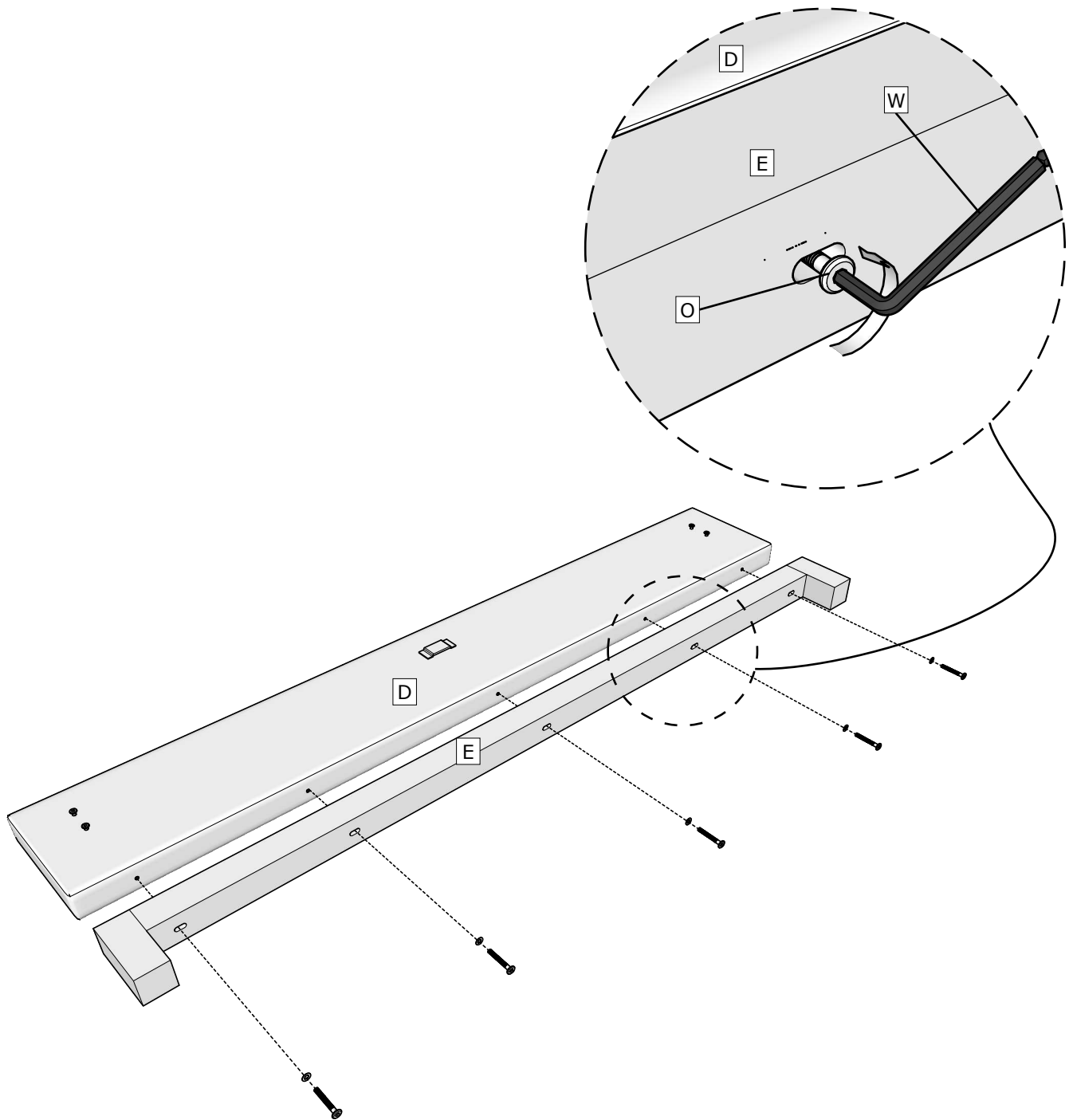
BED ASSEMBLY STEP 4



Attach Assembled bottom to Assembled Side rail with **O** using a Ball End Hex Key Wrench **W** as shown.

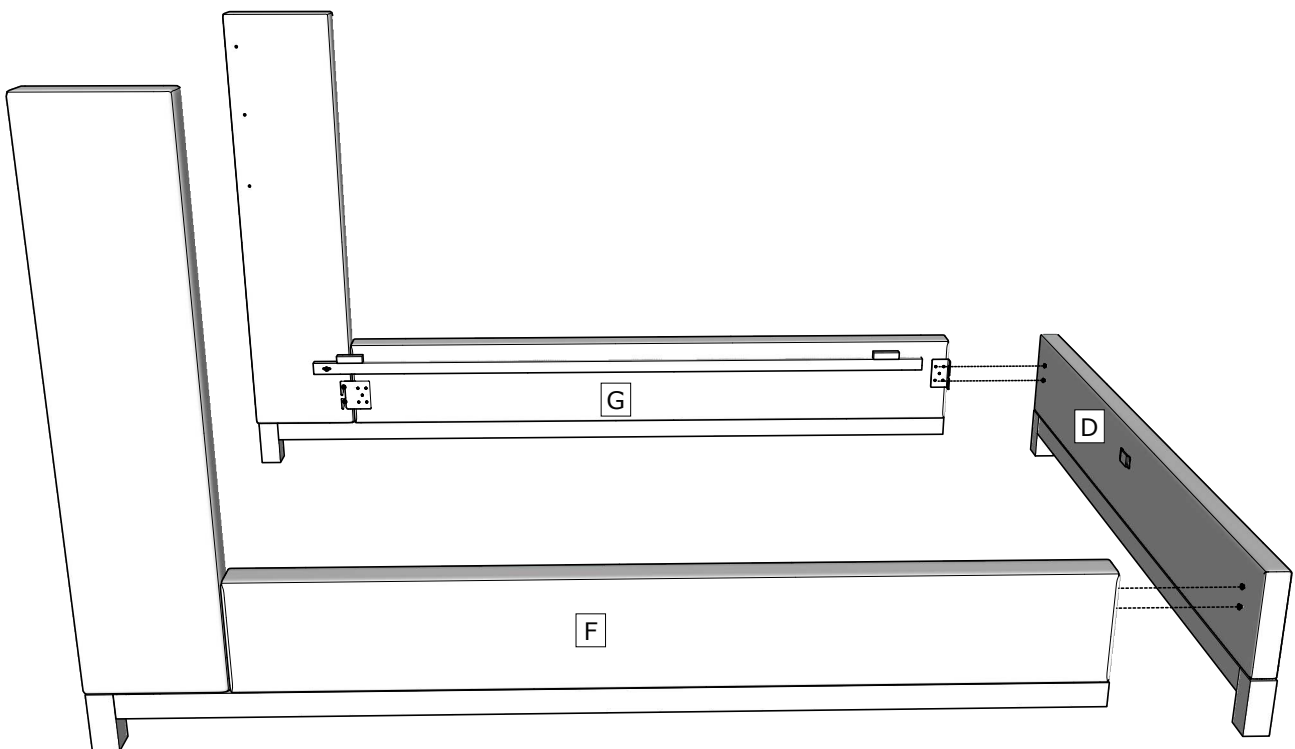
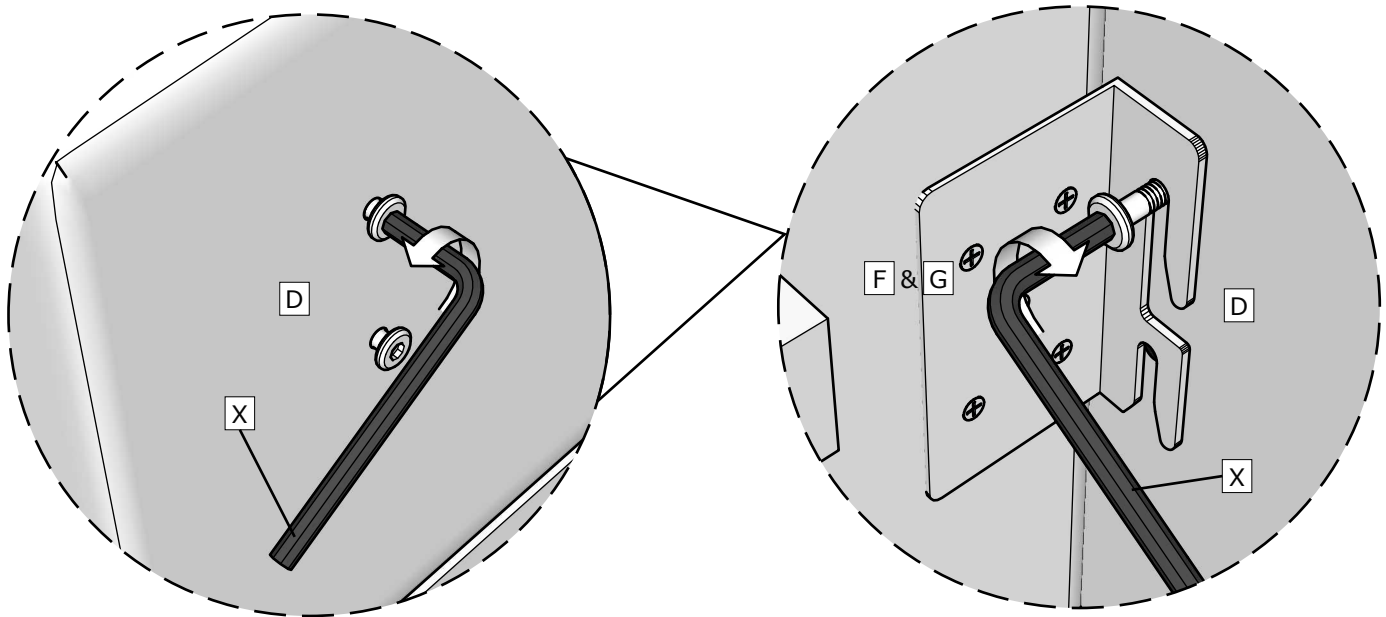
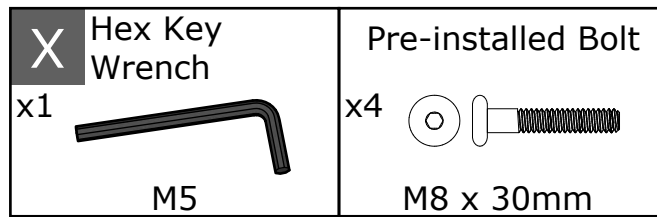
BED ASSEMBLY STEP 5

D Footboard x1	E Footboard Wood Base x1	O Bolt x5 M6 x 50mm	W Ball End Hex Key Wrench x1 M4
--------------------------	---------------------------------------	----------------------------------	---




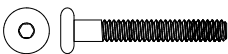
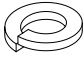
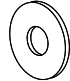
Attach **D** to **E** with **O** using a Ball End Hex Key Wrench **W** as shown.


BED ASSEMBLY STEP 6

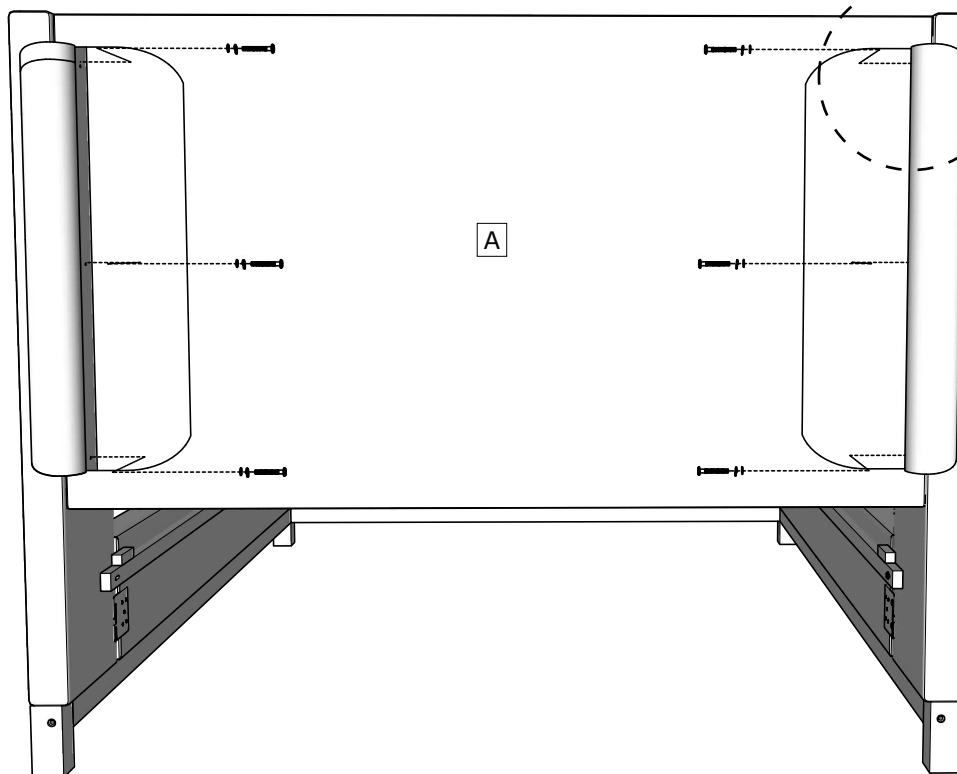
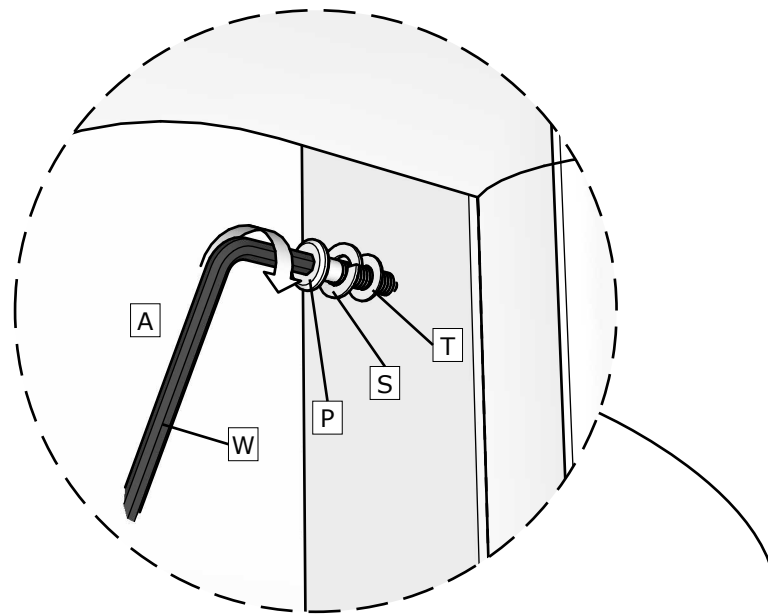


Loosen pre-installed bolt found on **D** a Hex Key Wrench **X** .
Attach Assembled Footboard to Assembled Bed with pre installed bolt using a Hex Key Wrench **X** .

BED ASSEMBLY STEP 7

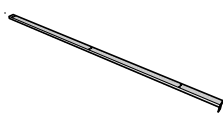
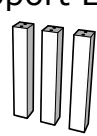

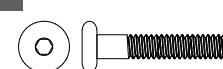
A Headboard x1 	P Bolt x6  M6 x 45mm	S Spring Washer x6  M6	T Flat Washer x6  M6
---	---	--	---


W Ball End Hex Key Wrench x1  M4

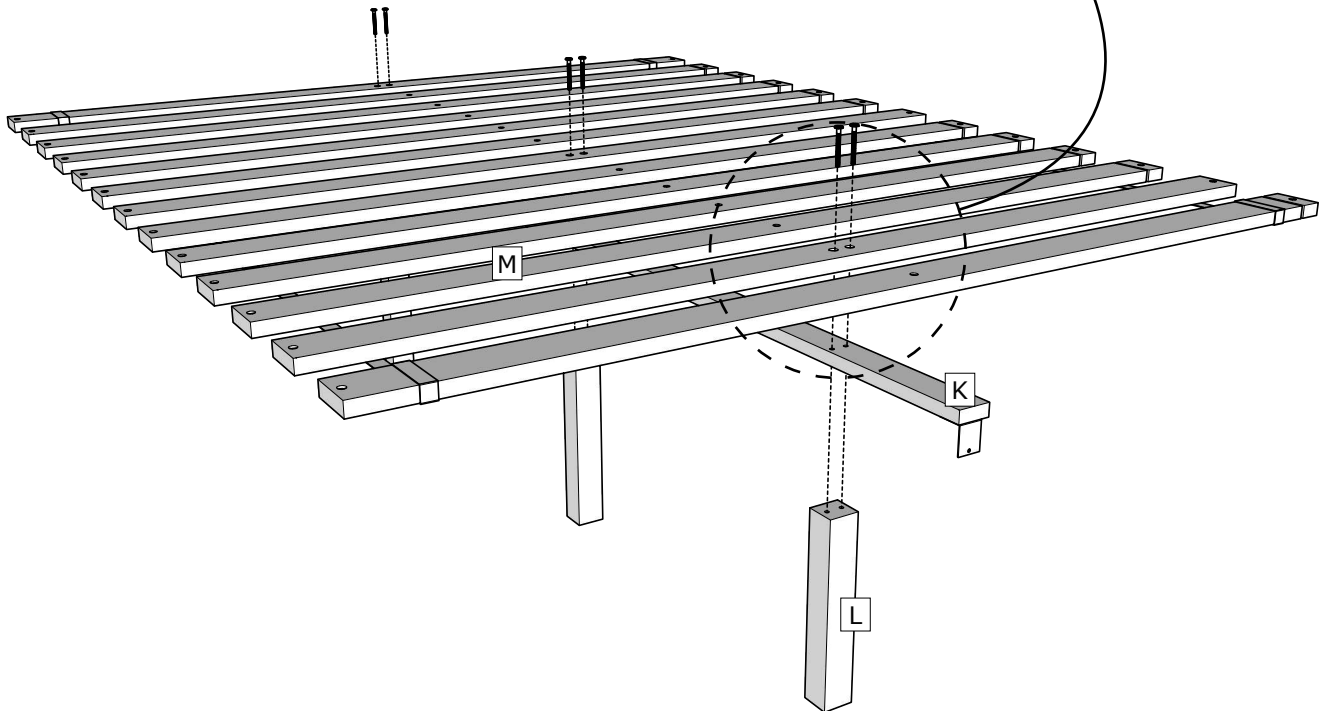
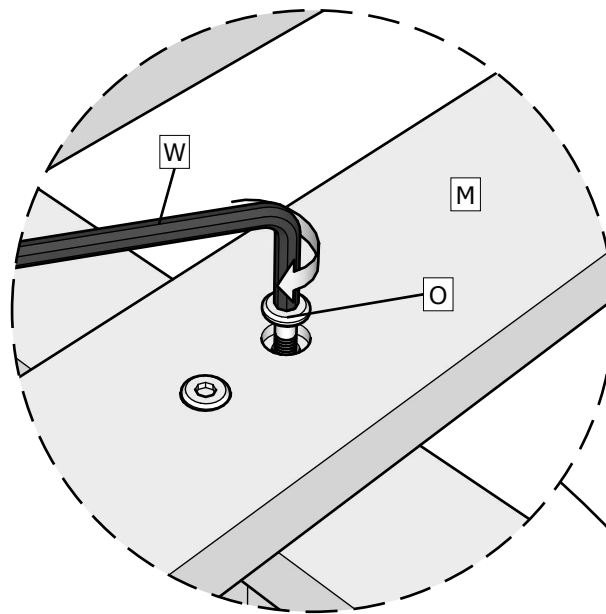


Attach **A** to Assembled Bed with **P** , **S** , and **T** using a Ball End Hex Key Wrench **W** as shown.

BED ASSEMBLY STEP 8

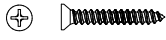


K Center Rail x1 	L Center Support Leg x3 	M Bed Slat x13 	O Bolt x6  M6 x 50mm
--	---	---	--

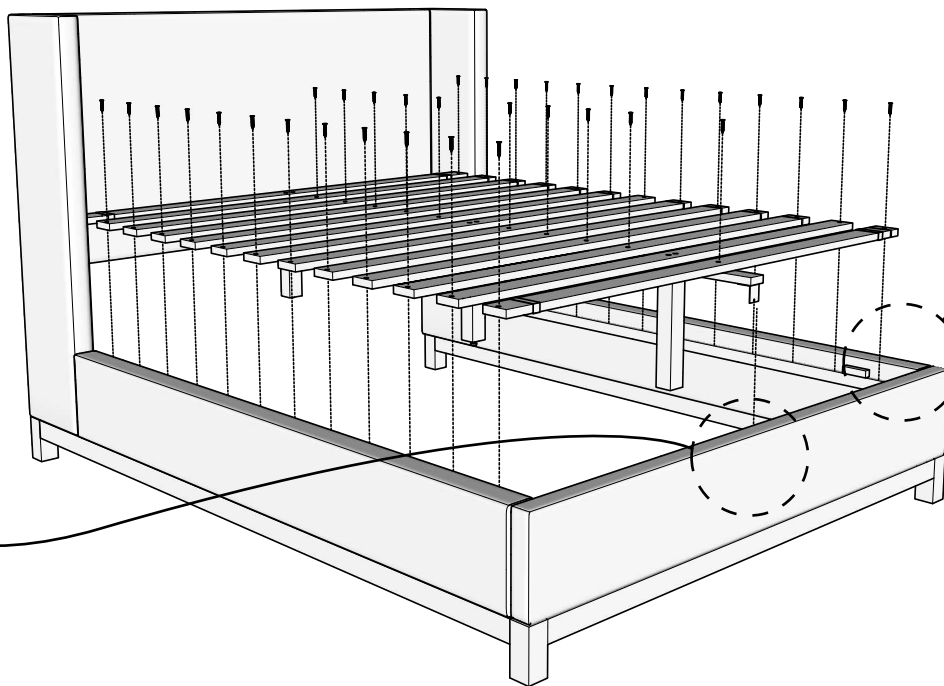
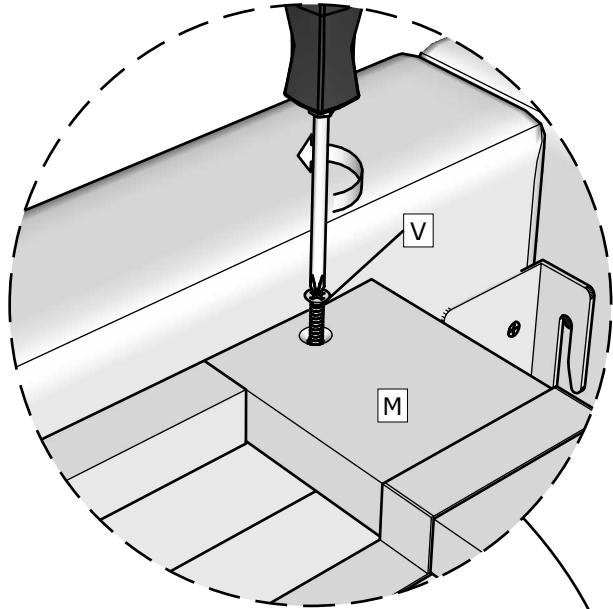
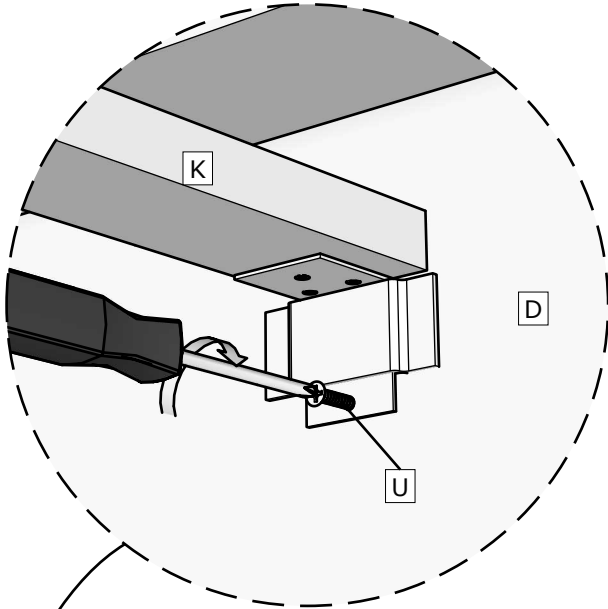
W Ball End Hex Key Wrench x1  M4
--



Attach **L** and **M** to **K** with **O** using a Ball End Hex Key Wrench **W** as shown.

BED ASSEMBLY STEP 9

U Screw x1  M4 x 20mm	V Screw x36  M4 x 25mm	Philips Screwdriver  Not provided
--	---	---



Attach Assembled Bed Slat to Assemble Bed Frame with **U** and **V** using a Philips Screwdriver K as shown.