

CARE AND MAINTENANCE:

- Clean regularly with mild dish soap, warm water and microfiber cloth. Rinse with clean water.
- Always dry the faucet with a soft cloth after each use to prevent water spots or mineral buildup, especially in hard water areas.
- Regularly inspect the faucet and connections for any signs of leaks or drips.
- Avoid using harsh chemicals, steelwool, scouring pads or abrasive sponges as they can scratch and damage.
- Avoid products containing ammonia, bleach, or acidic substances (like lemon or vinegar in undiluted form), which can damage or discolor the faucet.
- Always clean immediately remove substances that cause discoloration, such as hair dye or nail polish remover.
- Never leave water, food, personal care products, or cleaning products sitting on the faucet for extended periods of time.

RUVATI 5-YEAR LIMITED WARRANTY - FAUCETS

This product has been manufactured and inspected to the highest quality standards. Ruvati faucets carry a **5-year limited warranty** for residential use.

Should you experience any defects in materials or workmanship within the warranty period, we will repair or replace the defective product, subject to the following conditions:

- Any claim made under this warranty must include a valid proof of purchase showing the date and place of purchase.
- Our obligation under this warranty is to the original purchaser only and is non-transferable.
- This warranty applies to indoor residential installations only.
- This warranty applies only to products that were purchased brand new from Ruvati or an authorized dealer. Open box, used or refurbished products are not covered under warranty.
- In many instances, we will provide a replacement part with instructions. It will be owner's responsibility to replace the defective part.
- If a product replacement is warranted, it will not include shipping costs or labor installation costs.
- Ruvati reserves the right to examine the product and its installation prior to replacement.
- If an identical replacement product is not available, Ruvati reserves the right to replace the defective product with a similar product.

This warranty relates to defects in manufacture, materials, or workmanship in a Ruvati faucet supplied

for installation in residential premises in the United States. It does not extend to:

- Faults arising from improper use and/or installation. Ruvati recommends faucet installation to be done only by a licensed plumber.
- Damage resulting from improper maintenance or failure to follow the Care and Maintenance instructions.
- Normal wear and tear, scratches, or accidental damage.
- Products that have been altered or modified.

All incidental or consequential damages are specifically excluded. No additional warranties, express or implied, are provided, including but not limited to any implied warranty of merchantability or fitness for a particular purpose.

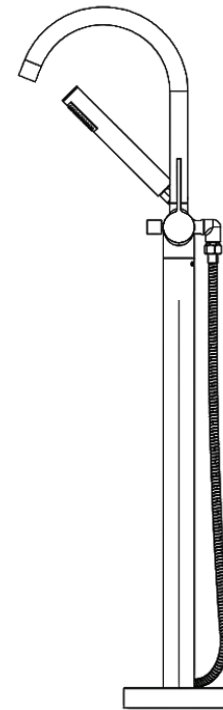
Some states do not allow the exclusion or limitation of incidental or consequential damages or limitations on how long an implied warranty lasts, so the above limitations or exclusions may not apply in certain cases

This warranty gives you specific legal rights, and you may also have other rights that vary from state to state.

RUVATI®

INSTALLATION GUIDE

FREESTANDING TUB



RVF5334, RVF5338

Register your product at: www.ruvati.com/register

RUVATI®

Address: 2705 Meister Pl, Round Rock, TX 78664

USA Phone: 1.855.478.8284

Email: support@ruvati.com

ATTENTION INSTALLER:

Please read all information below and keep this installation guide for future reference.

Ruvati recommends that this faucet be installed only by a professional installer.

Follow all local plumbing and building codes.

CAUTION: Risk of personal injury. Do not use the floor-mount bath faucet as a grab bar or support bar when entering or exiting the bath. The floor-mount bath faucet is not designed to support weight.

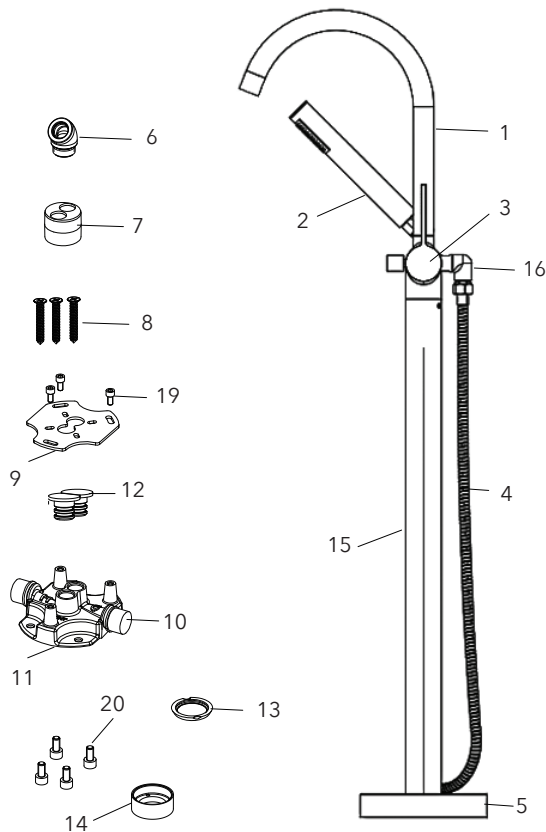
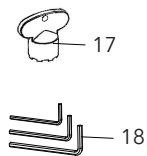
TOOLS REQUIRED:

Drill
Level
Towel

Plumbers tape
Adjustable Wrench

PARTS LIST:

The Component List	Qty.
1. Main Body	1
2. Shower	1
3. Handle	1
4. Shower Hose	1
5. Decorative Panel	1
6. Shower Elbow	1
7. Rubber Plug	1
8. Base Screw	3
9. Fixing Flat	1
10. Protective Sleeve	2
11. Base	1
12. Water Testing Plug	1
13. Rubber Ring	1
14. Base Connector	1
15. Tube	1
16. Main Body Elbow	1
17. Aerator Wrench	1
18. Allen Key	3
19. Fixing Flat Screw	3
20. Base Connector Screw	4



INSTRUCTIONS:

- Attach the fixing flat (9) on the base (11) using the fixing flat screws (19). Place the assembled base (11) into the subfloor. Use a level to ensure the assembled base (11) sits level. Secure the base (11) to the floor support using the provided base screws (8). (See image a)
- Remove the protective sleeves (10) from the base (11). Thread the water supply pipes into the base (11). Insert the water testing plug (12) into the top of the base (11). Turn on the water supply and check for leaks. Turn off the water supply when done.
- Unscrew the fixing flat screws (19) and remove the fixing flat (9) from the base (11). Remove the water testing plug (12). (See image b)
- Remove the rubber plug (7) from the bottom of the tube (15). Place the rubber ring (13) onto the decorative panel (5). Place them on the bottom of the tube (15).
- Attach the fixing flat (9) to the tube (15). Align the fixing flat (9) with the tube base connector (14) and secure it using the four base connector screws (20) provided. This forms the mounting bracket that will secure the tube (15) to the base (11). (See image c)
- Ensure the top of the base (11) is free of dirt and debris. Attach the assembled tube (15) onto the base (11), aligning the fixing flat (9) with the holes on the base (11). Use the 3 fixing flat screws (19) to secure it to the base (11). (See image d)
- Attach the end of the end of the shower hose (4) with the nut to the main body elbow (16).
- Remove the aerator from the faucet spout. Run water for one minute so it mixes the hot and cold water - check all connection points for leaks. Test the shower hose (4). Replace the aerator in the spout.
- Connect the other end of the shower hose (4) to the shower elbow (6). Attach the handheld shower (2) to the shower elbow (6). Check that the hand shower functions properly.

