

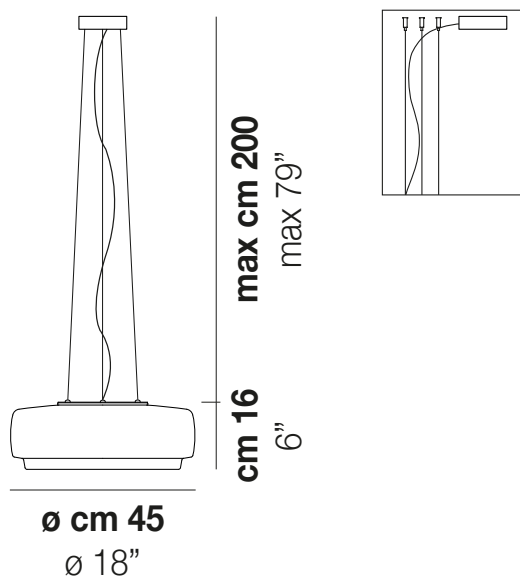
BOT

Design Gregorio Spini

BOT SP 45

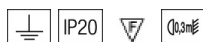


A collection that represents the idea of a volume in motion that generates a new one. The concept is also a reminiscence of the process of glass blowing in which the incandescent glass contains the light before it even has a definitive shape.



BOT SP 45

TECHNICAL DATA:



CERTIFICATIONS:



LIGHT SOURCES

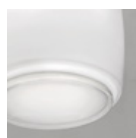
LED	2x60W	120V/60HZ	E26
LED 2700K DIM2	1x19 W	39 V	Led 2700 K 19 W 39 V 2850 lm DIM2 Phase Cut
LED 2700K DIM3	1x19 W	39 V	Led 2700 K 19 W 39 V 2850 lm DIM3 0-10V, Push
LED 3000K DIM2	1x19 W	39 V	Led 3000 K 19 W 39 V 2850 lm DIM2 Phase Cut
LED 3000K DIM3	1x19 W	39 V	Led 3000 K 19 W 39 V 2850 lm DIM3 0-10V, Push

VOLUME	Mc 0,14
GROSS WEIGHT	Kg 0
NET WEIGHT	Kg 0

download



SHADE FINISHING



BCCR

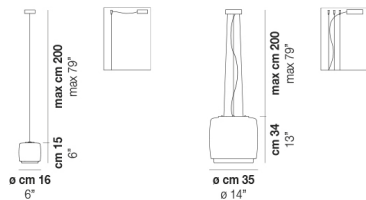
FRAME FINISHING



BC

OTHER VERSION AVAILABLE

Click on the version to go to the web version of the product



BOT SP 16

BOT SP 35