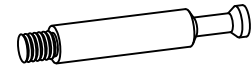
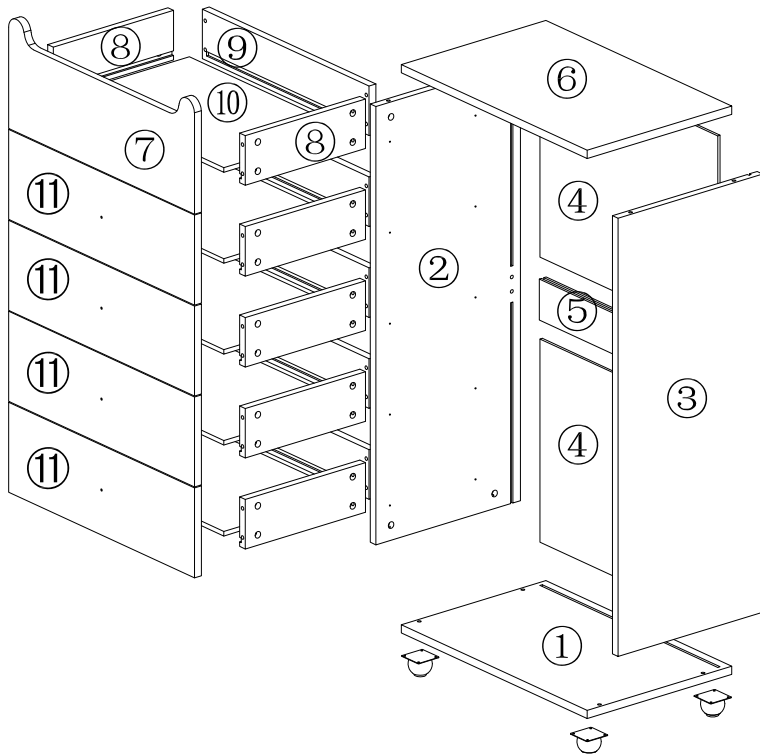


Installation & Assembly



A x52



B x52



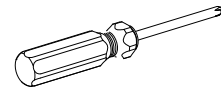
C x56



D x4



E x4



F x1



G x4

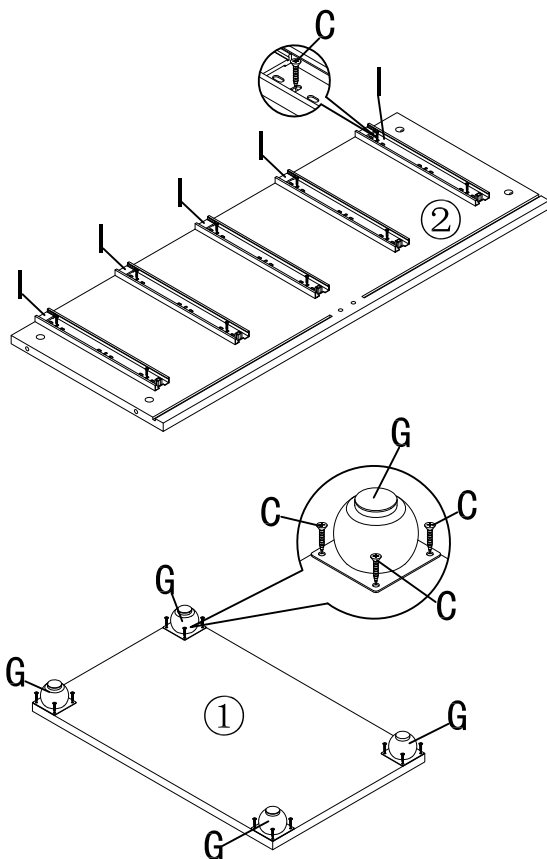


H x2

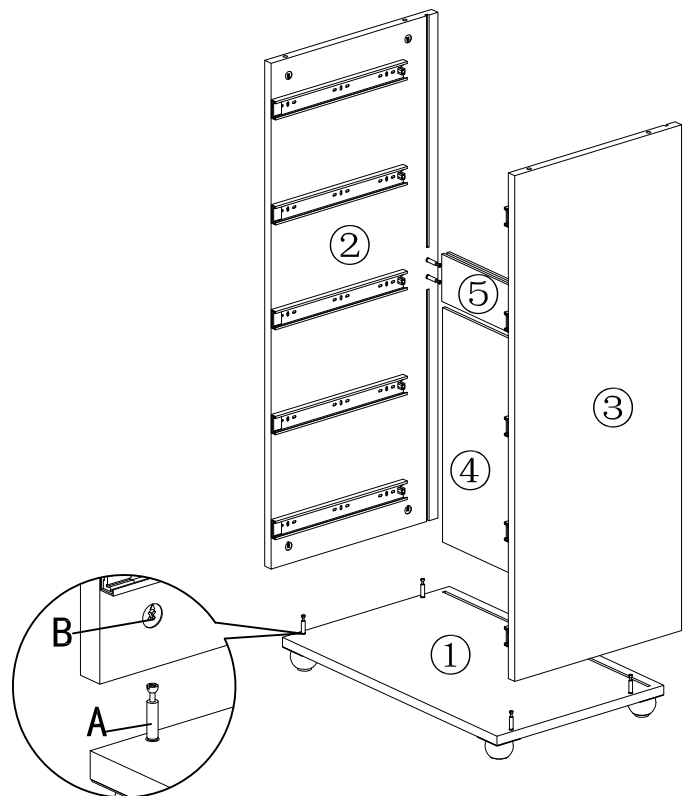


I x10

STEP:1

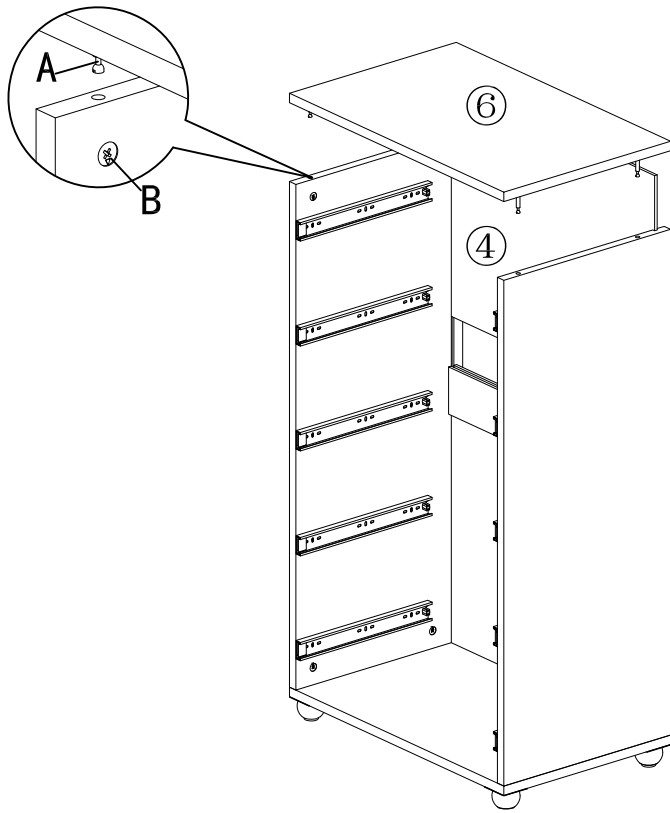


STEP:2

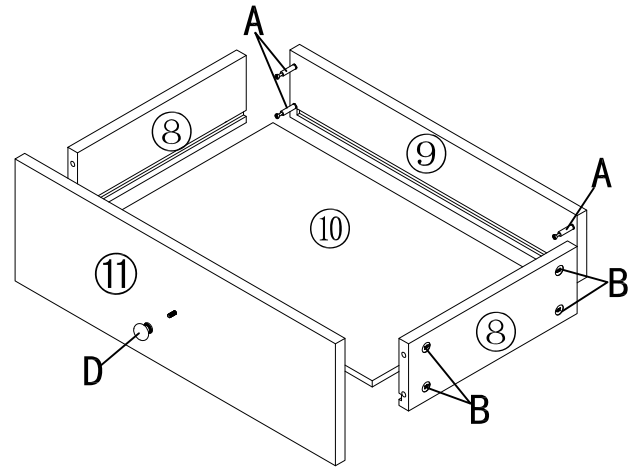


Installation & Assembly

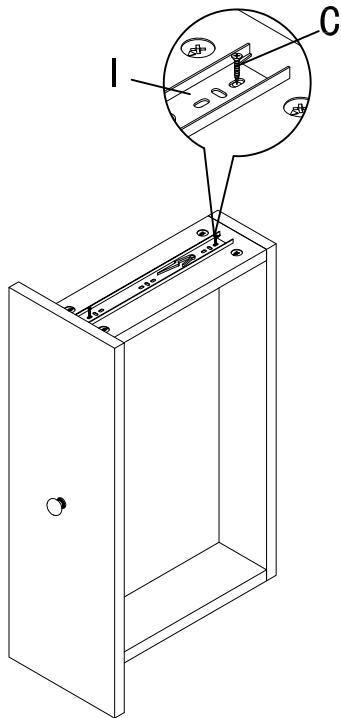
STEP:3



STEP:4



STEP:5



STEP:6

