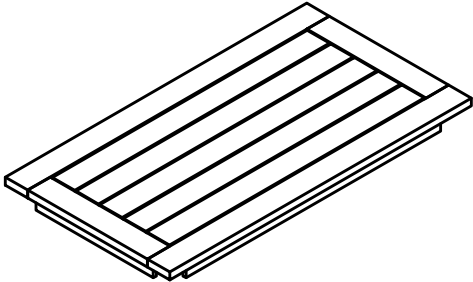

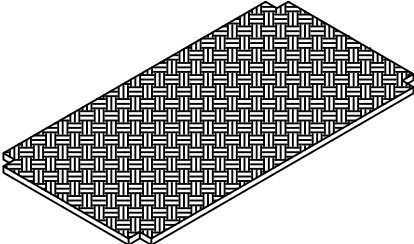


# ASSEMBLY INSTRUCTIONS

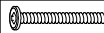
**Note: STOP! PLEASE READ FIRST:**

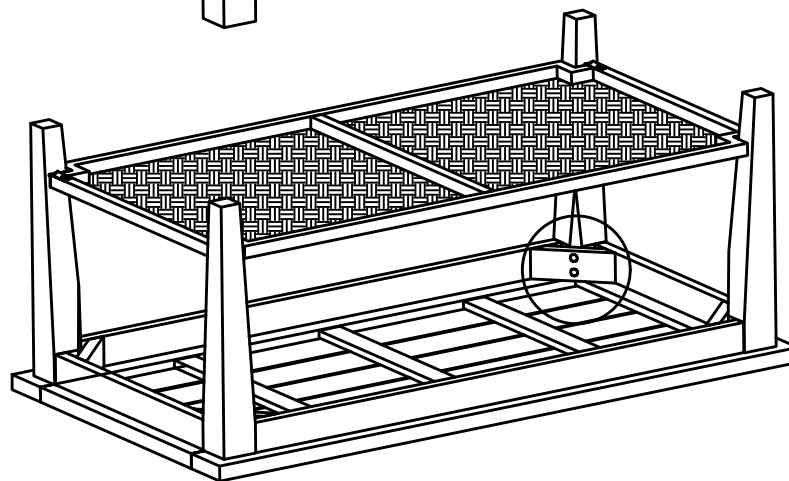
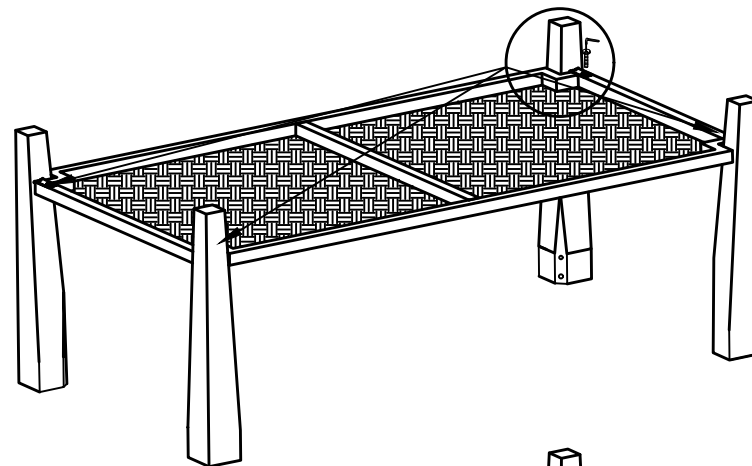
Thank you for purchasing this item  
Please verify all the hardware and components are included as you unpack the carton. Place the items on a safe area to avoid loss and damaging contents. Use a soft area or empty box to assembly the item.

## PARTS LIST

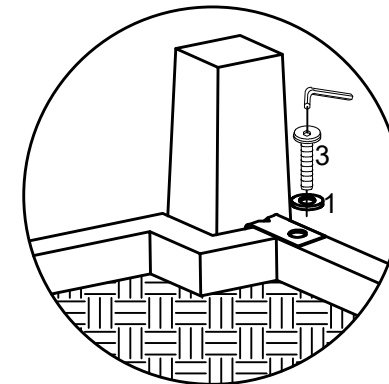
	1 PC
	4 PCS
	1 PC

## HARDWARE LIST:

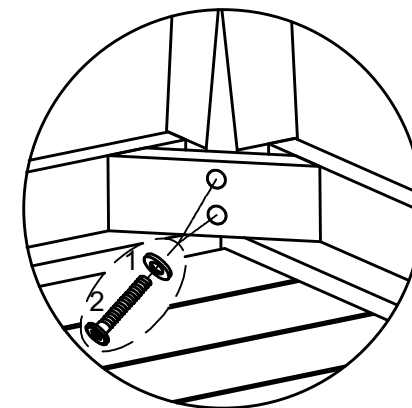
1		16/6.5 x 2mm	12 pieces
2		6x40mm	8 pieces
3		6x20mm	4 pieces
4		Allen key	1 piece



## Step 1



## Step 2



## CARE & MAINTENANCE:

Your new furniture will begin to weather and fade over time naturally when exposed to direct sunlight, rain, snow and more. If there is hardware and assembly required, then tighten 1-2 times per year.

We recommend the following maintenance plan to provide long term care: Thoroughly clean 2-3 times a year with a soft rag, warm water and mild detergent and wipe dry.

For tough stains, gently scrub with a soft brush or cloth only, rinsing well and drying.

Avoid standing water or sprinklers from hitting your furniture regularly as this will cause staining and uneven grain and finish concerns. Always cover your furniture when not in use during extended periods.