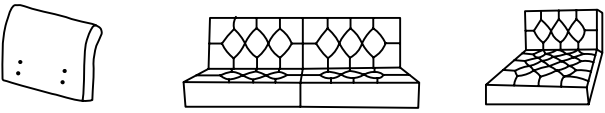












ASSEMBLY INSTRUCTION

EXP130

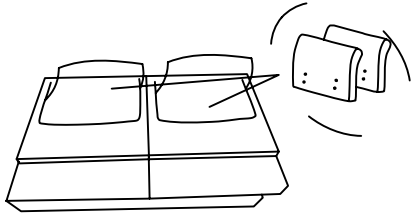
Parts And Hardware List

Page 1 of 2

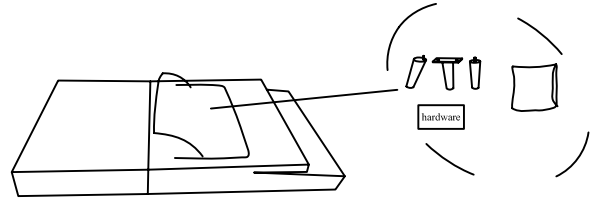
 <p>Armrest x2 2-seater x1 Chaise x1</p>	A		8PCS	E		10PCS
	B		16PCS	F		6PCS
	C		12PCS	H		1PC
 <p>Leg A x4 Leg B x3 Leg C x6 Pillow x2</p>	D		4PCS	I		1PC
	J		4PCS			

Step 1: please take out the armrests, legs, and hardware from bottom of the sofa as below:

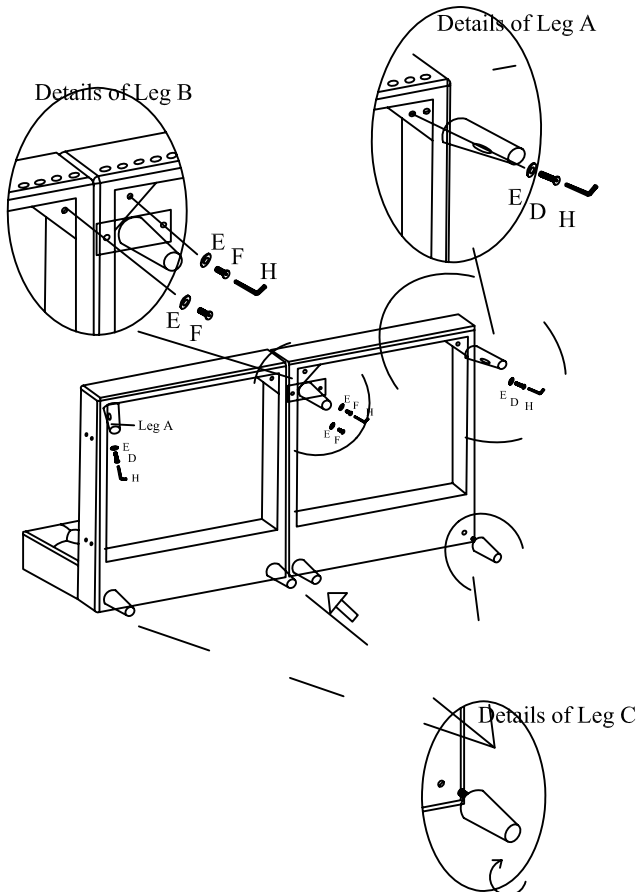
Carton of "2-seater", open the zipper at bottom, you can find the armrests



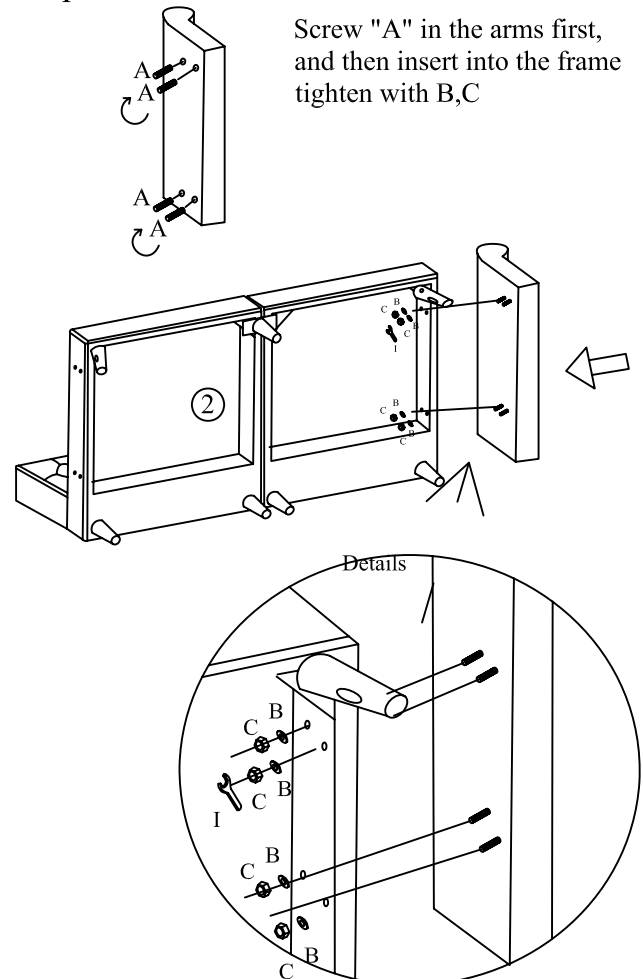
Carton of "Chaise", open the zipper at bottom, you can find the legs, hardware and pillows



Step 2: assemble the legs of "2-seater"



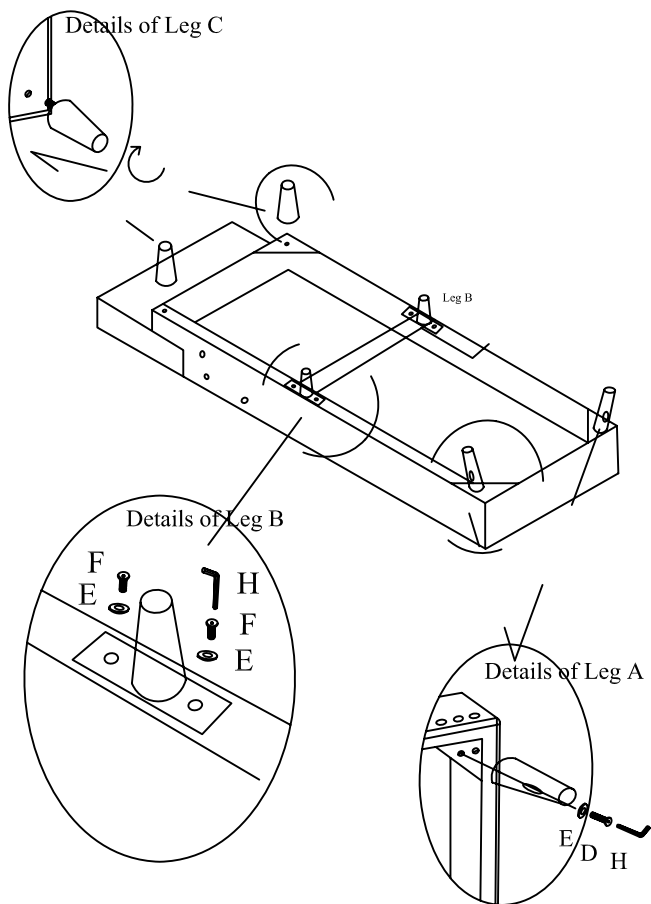
Step 3: assemble the armrest of "2-seater"



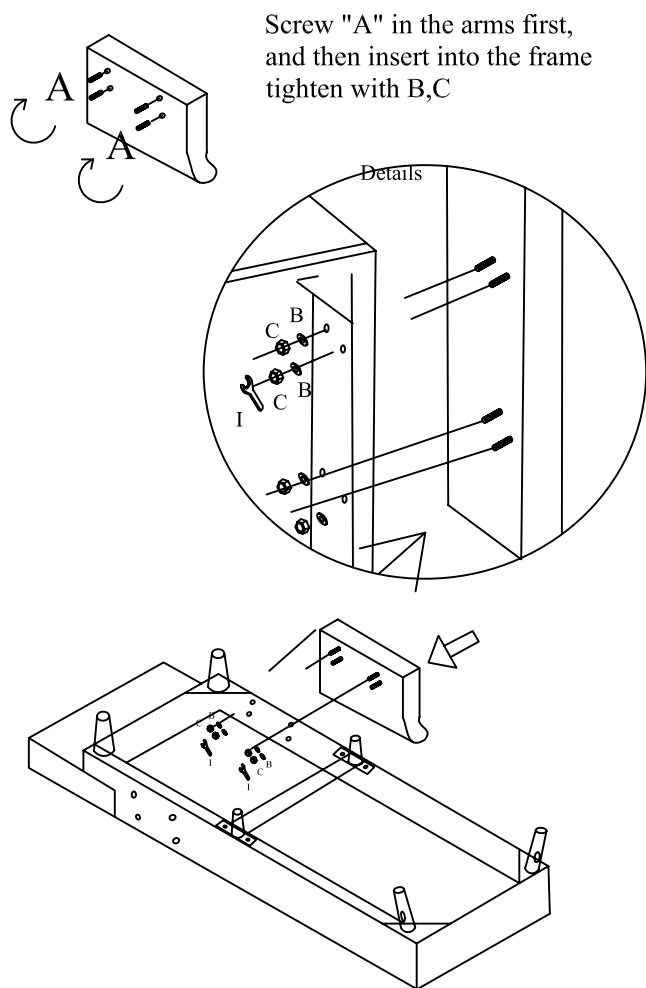
Screw "A" in the arms first, and then insert into the frame tighten with B,C

ASSEMBLY INSTRUCTION

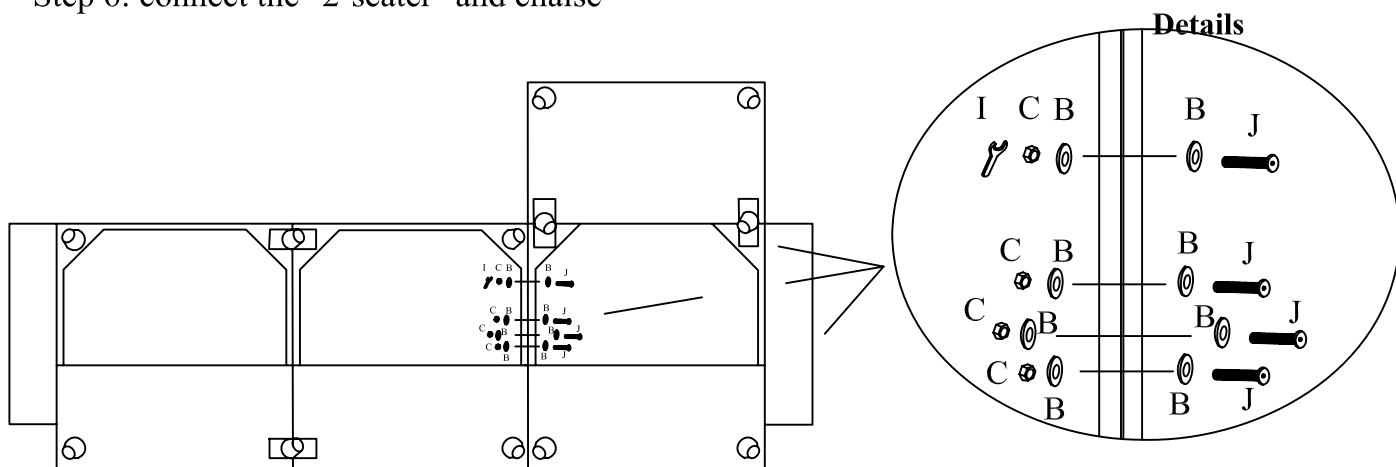
Step 4: assemble the legs of "Chaise"



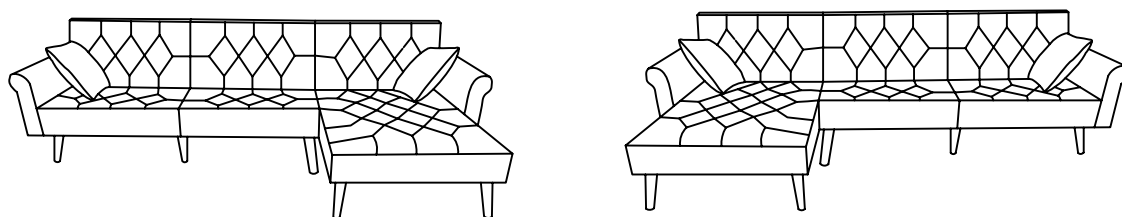
Step 5: assemble the armrest of "Chaise"



Step 6: connect the "2-seater" and chaise



Step 7: put the pillows on sofa, then assembly is finished.



Remarks: The armrests are in fixed position, 2-seater and chaise is reversible, the assembly is same as previous steps.