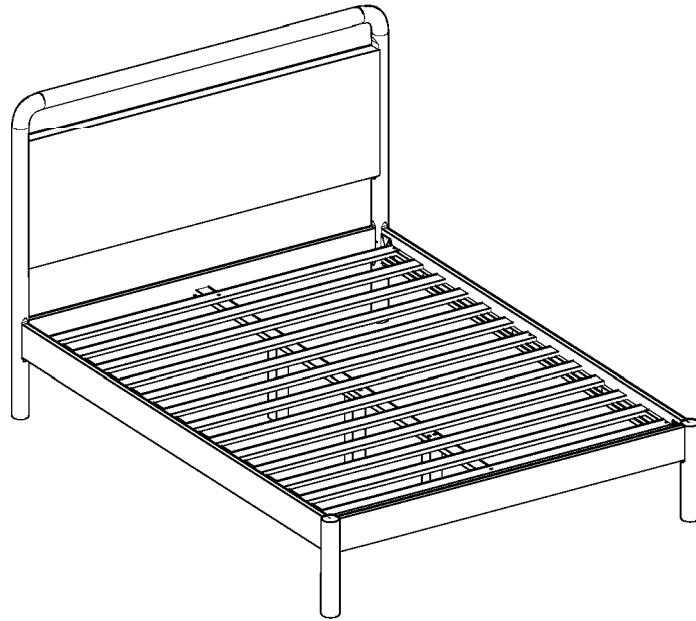
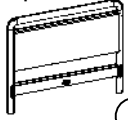





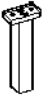

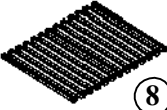


ASSEMBLY INSTRUCTIONS



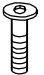


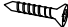
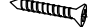
MODEL : BD826-FS



COMPONENT

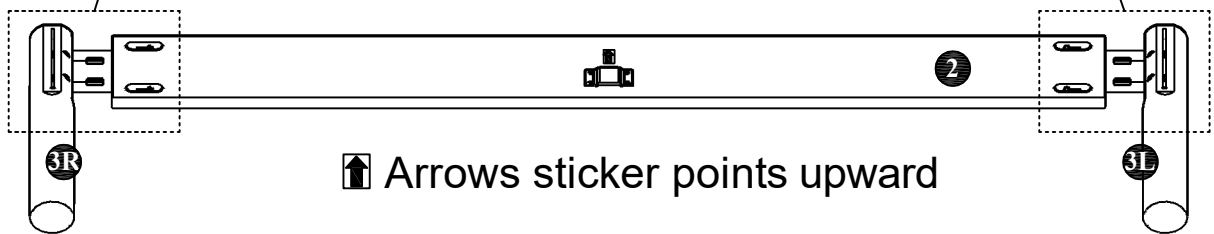
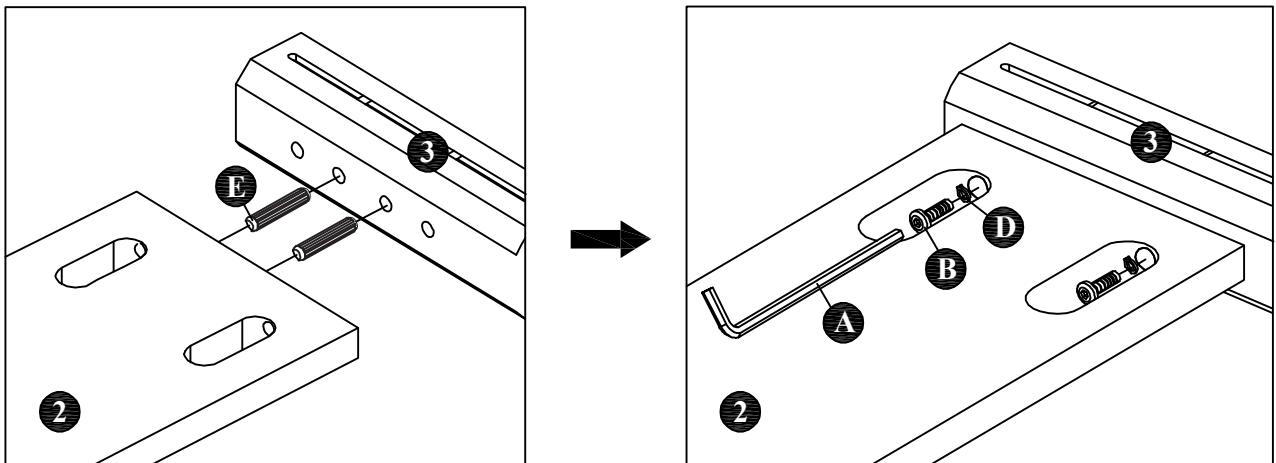
Headboard - 1 pc.  ①	Footboard - 1 pc.  ②	Footboard Leg (Left) - 1 pc.  ③L	Footboard Leg (Right) - 1 pc.  ③R	Side Rail - 2 pcs.  ④	Center Rail - 2 pcs.  ⑤	Center Leg (Middle) - 1 pc.  ⑥	Center Leg - 2 pcs.  ⑦
Slats - 13 pcs.(1set)  ⑧							

HARDWARE

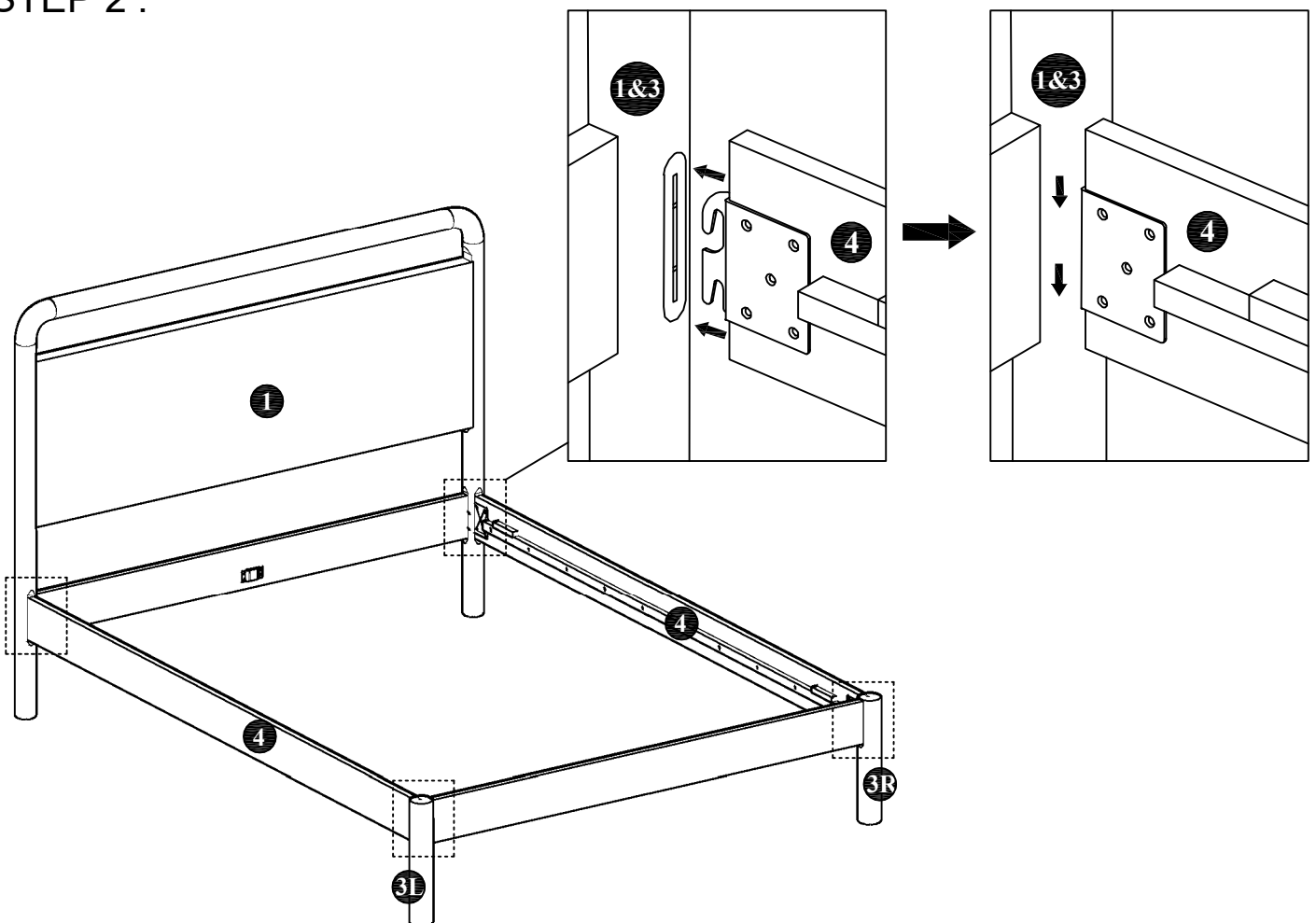
Allen Key M4 (Long Ball Head) - 1 pc.  A	JCBC Bolt M6 x 40mm - 8 pcs.  B	JCBC Bolt M6 x 35mm - 2 pcs.  C	M6 Spring Washer - 4 pcs.  D	Wood Dowel M8 x 30mm - 4 pcs.  E	Wood Screw M3.5 x 16mm - 2 pcs.  F	Wood Screw M4 x 25mm - 8 pcs.  G
---	---	---	--	--	--	--

ASSEMBLY INSTRUCTIONS

STEP 1 :

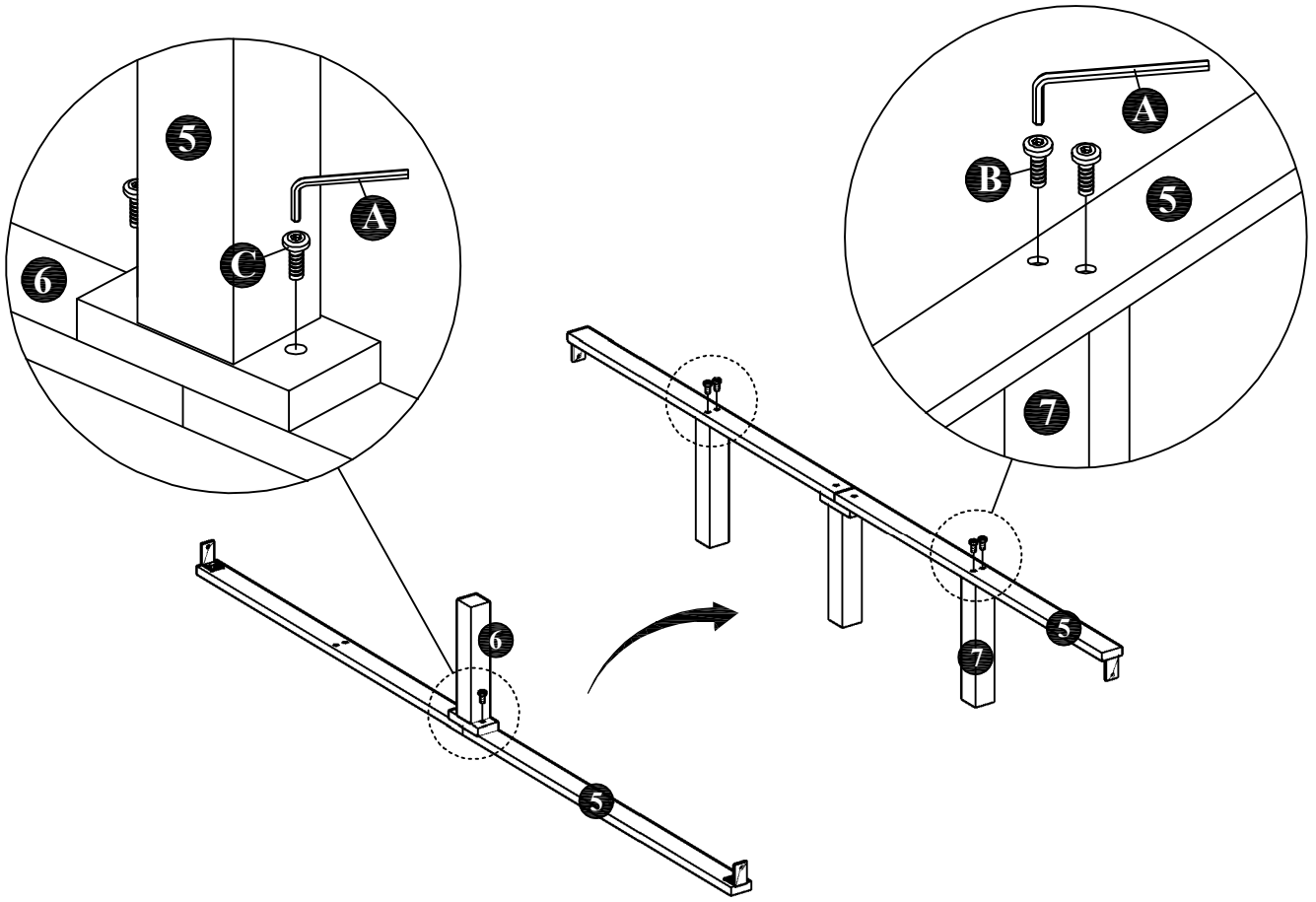


STEP 2 :

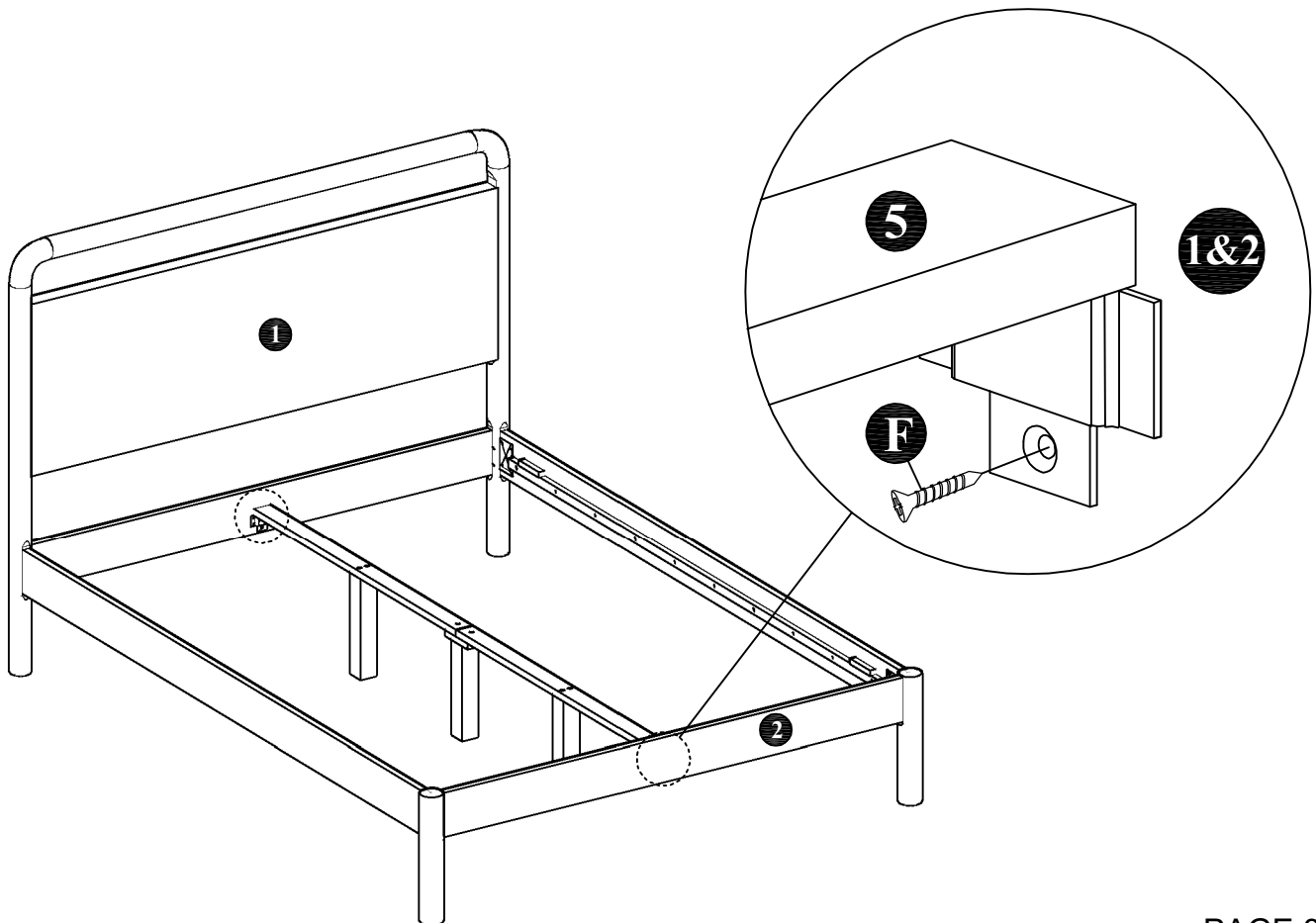


ASSEMBLY INSTRUCTIONS

STEP 3 :

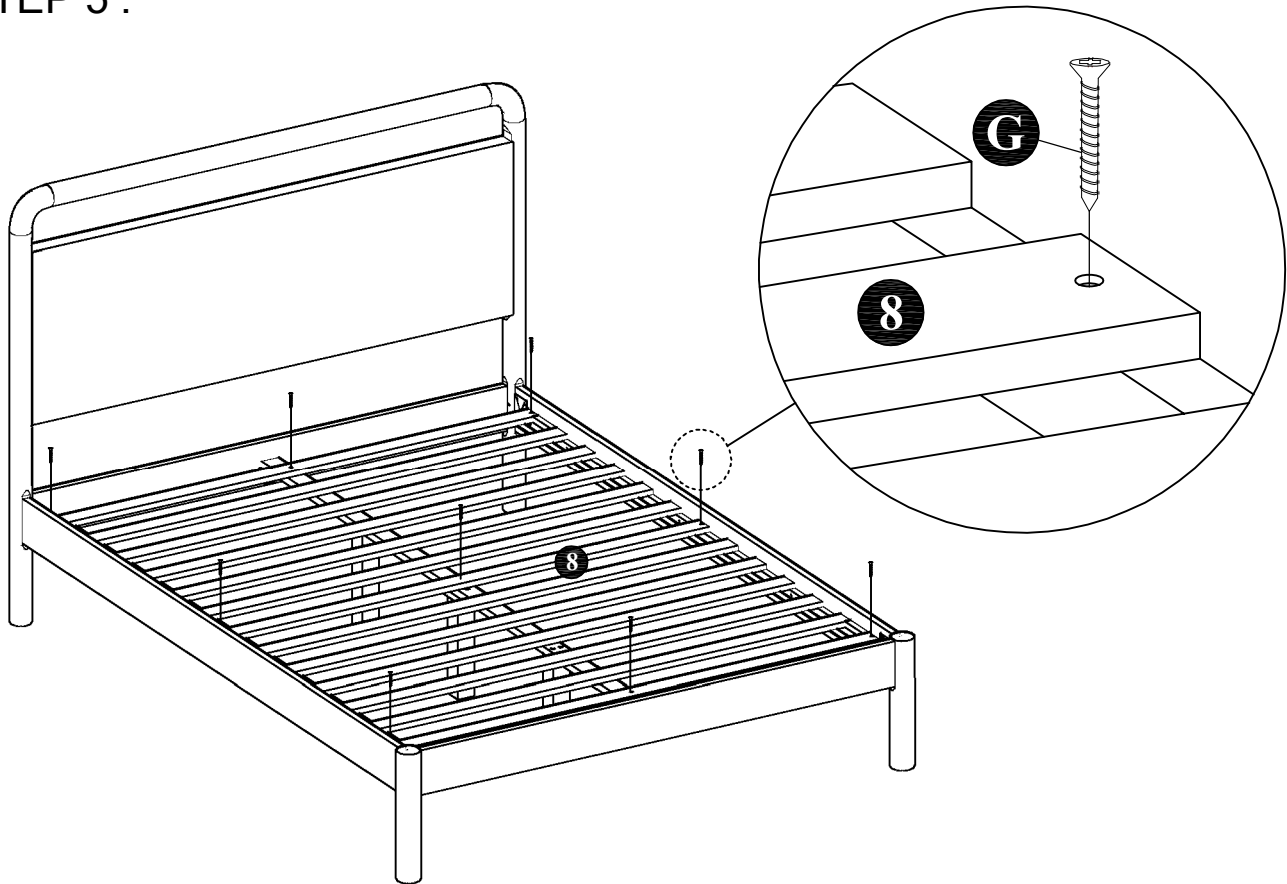


STEP 4 :



ASSEMBLY INSTRUCTIONS

STEP 5 :



COMPLETE VIEW

IMPORTANT

Please lift up the bed to move
with 2 or more people.

DO NOT DRAG THE BED!

