

US 10



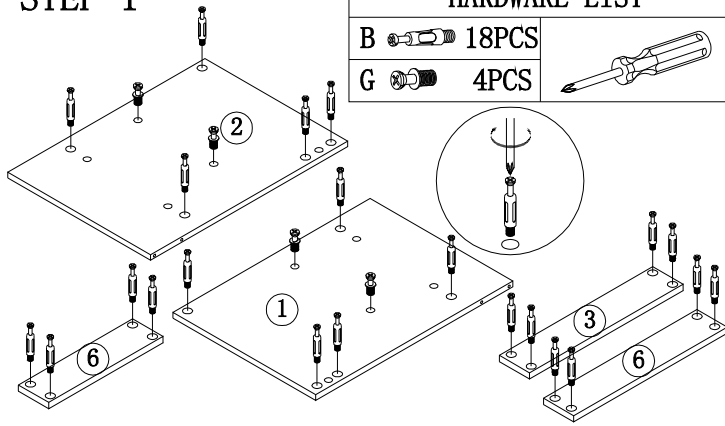
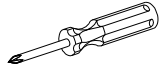
# INSTALLATIONS

## STEP 1

### HARDWARE LIST

B  18PCS

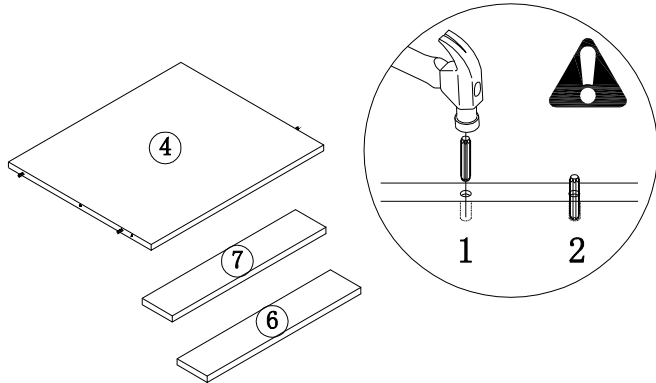
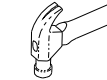
G  4PCS



## STEP 2

### HARDWARE LIST

D  8PCS

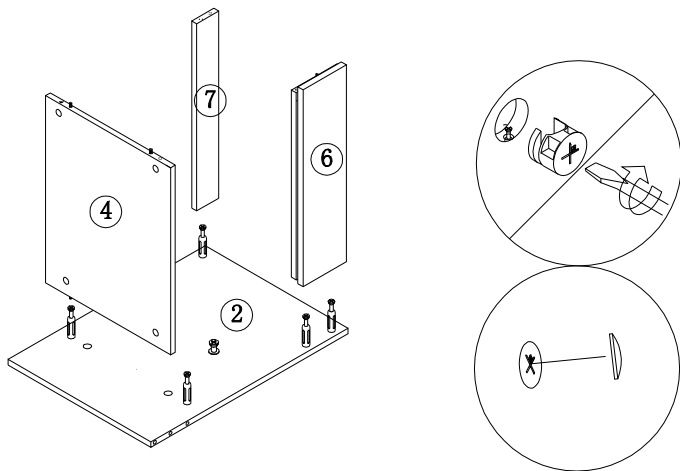
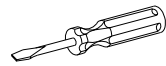


## STEP 3

### HARDWARE LIST

A  7PCS

C  7PCS

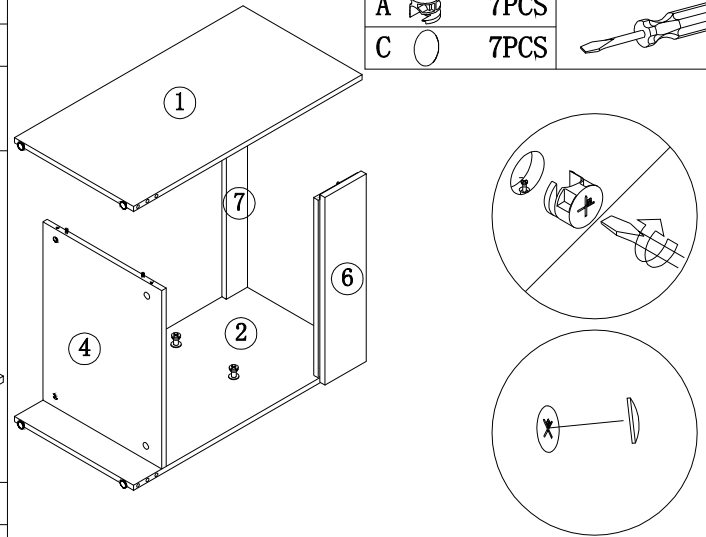
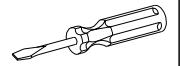


## STEP 4

### HARDWARE LIST

A  7PCS

C  7PCS

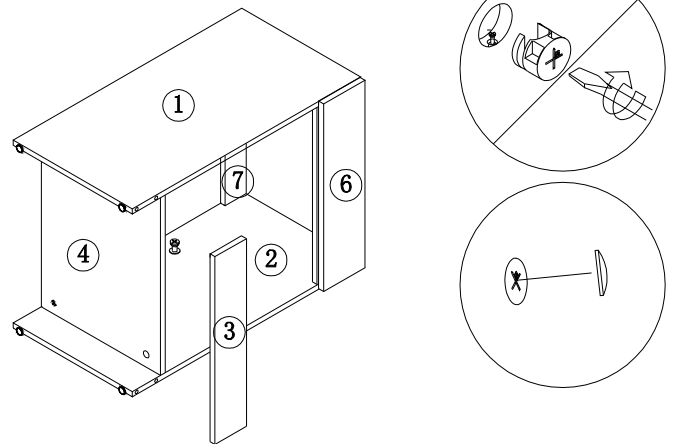
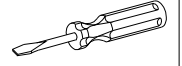


## STEP 5

### HARDWARE LIST

A  4PCS

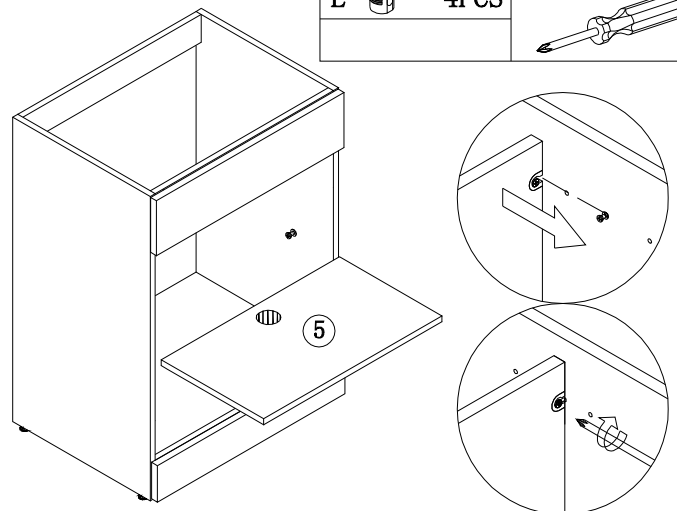
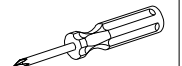
C  4PCS



## STEP 6





### HARDWARE LIST

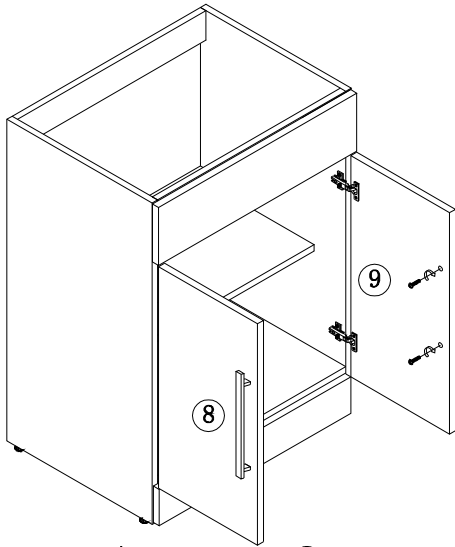
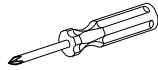
E  4PCS



**STEP 7**

**HARDWARE LIST**

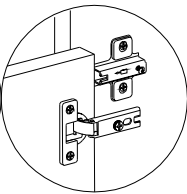
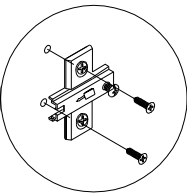
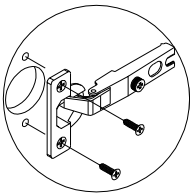
H		24PCS
J		2PCS
I		4PCS
F		4PCS



1

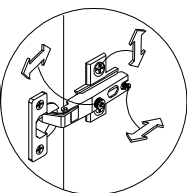
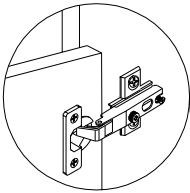
2

3

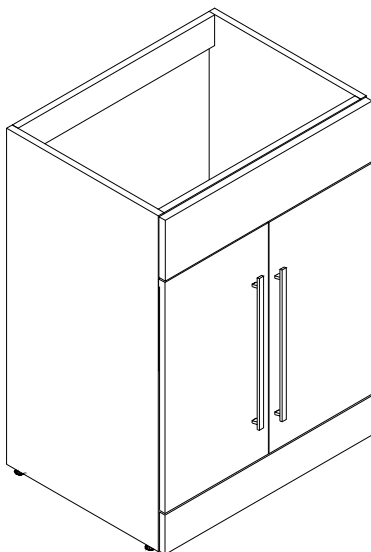


4

5



**STEP 8**



**Choking hazard-Small Parts :** This unit contains small parts, not for children under 3 years.

**Tip-over hazard :** Secure finished unit to wall stud using L-Bracket and wall screw (#10\*1.5"W/out provided). If a wall stud is not neccessible ,Consault your local hardware store for appropriate mounting hardware . Failure to properly install will result in product collapse or tip-over. Serious injury can occur .